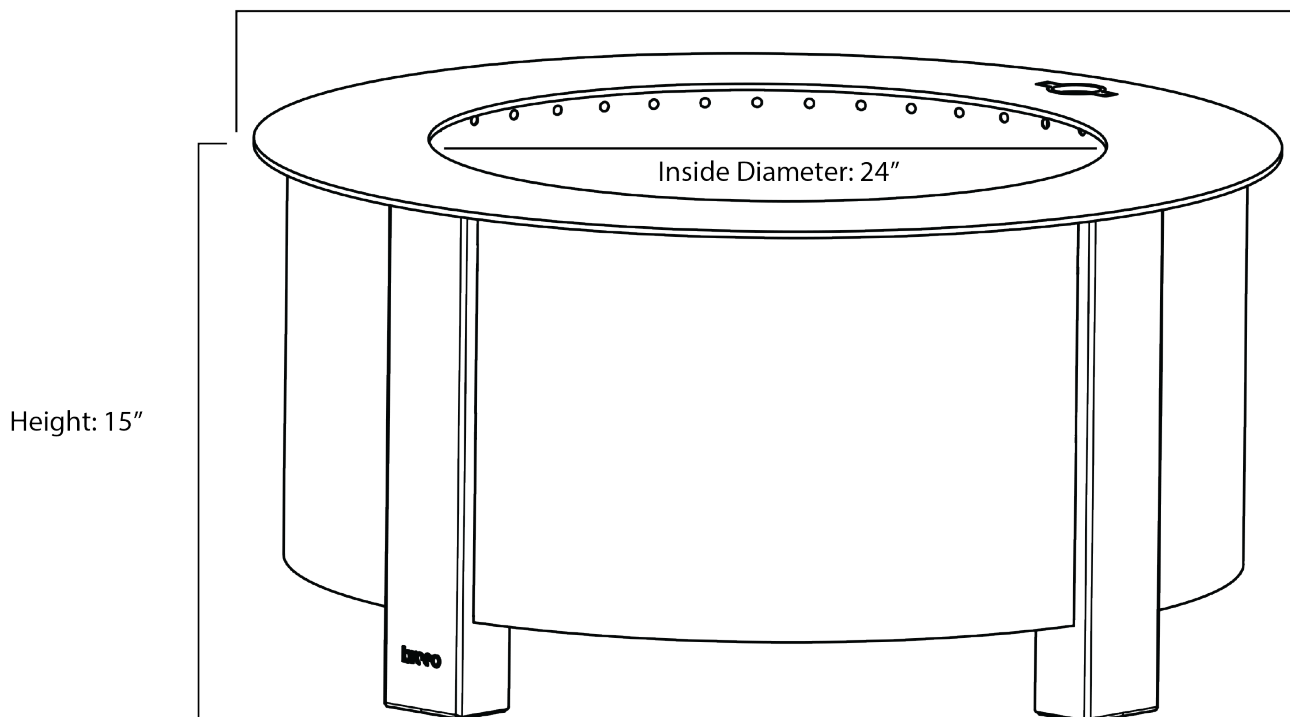


Phoenix 24" Smokeless Fire Pit Specifications

breeo

Outside Diameter: 29.5"



Material:

Outer Ring: COR-TEN Steel

Legs: Stainless Steel

Sear Plate: Stainless Steel

Inner Fire Bowl: Steel

Inside Diameter:	24 in.	Inside Height:	11.5 in.
Outside Diameter:	29.5 in.	Total Height:	15 in.
Outside Diameter of Legs:	28.5 in.	Weight:	78 lbs.
Flange Width:	4.5 in.		

**Built with Inferno X Airflow™ Technology
Patent-Pending**

**Phoenix 24" Smokeless Fire Pit
SKU: PX-24SLFP**

All Breeo Smokeless Fire Pits have been handcrafted in the USA.