

DUCT SADDLE INSTALLATION INSTRUCTIONS

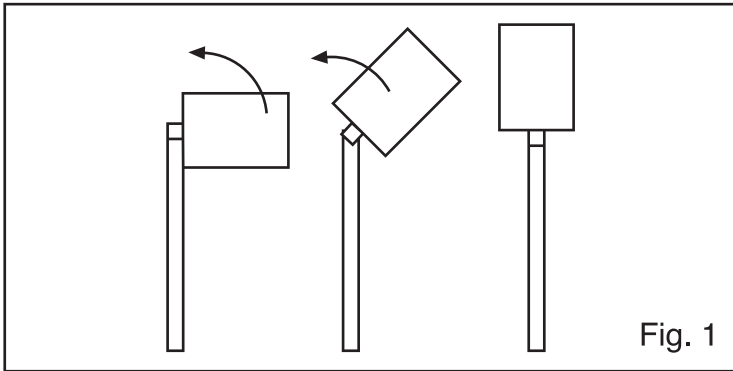


Fig. 1

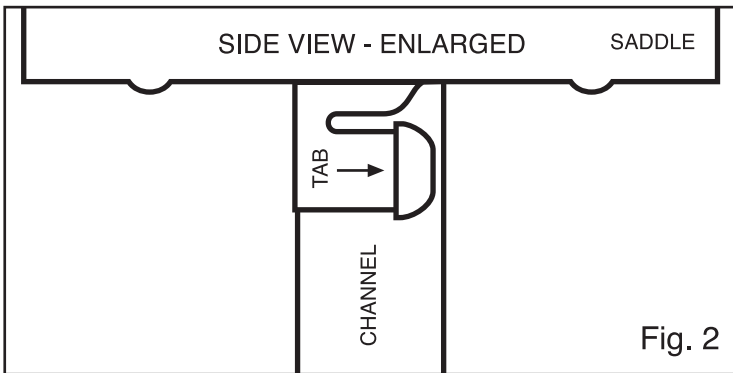


Fig. 2

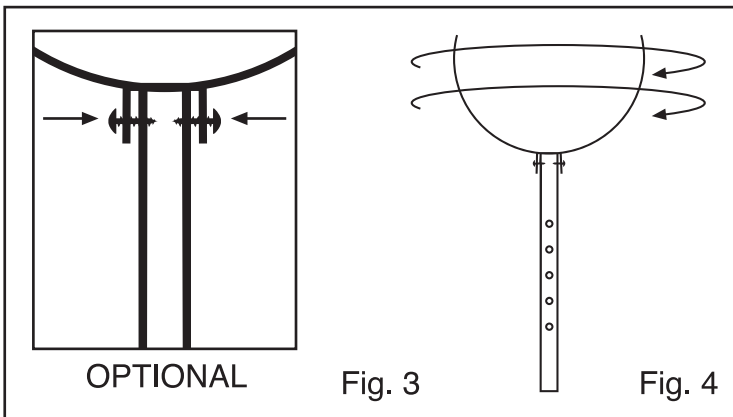


Fig. 3

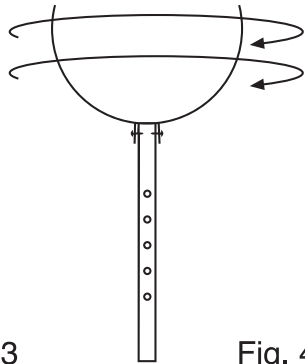


Fig. 4

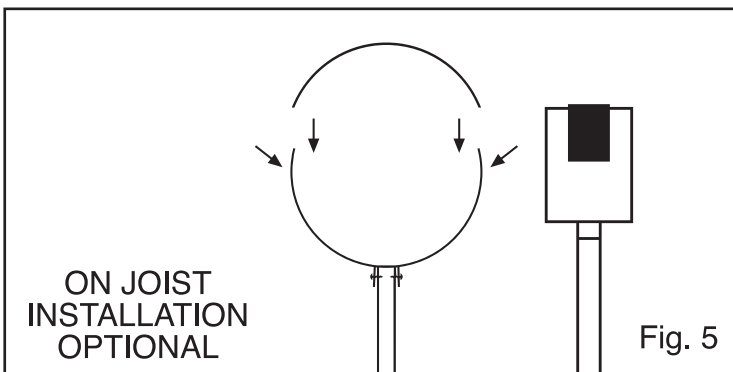


Fig. 5

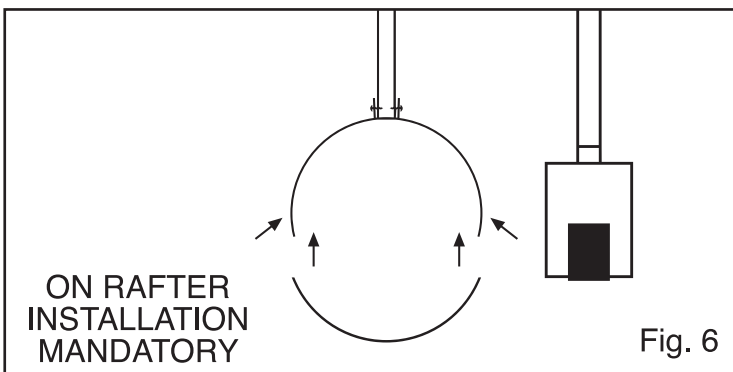


Fig. 6

FOR A NICE ROUND BEND, INSTALL THE DUCT SADDLE APPROXIMATELY 18" AWAY FROM THE PRE-INSULATED BOX.

PLACE DUCT SADDLES APPROXIMATELY 4' AWAY FROM EACH OTHER.

JOIST INSTALLATION INSTRUCTIONS

STEP 1 - BEND SADDLE INTO UPRIGHT POSITION (Fig. 1) AND LOCK INTO PLACE (Fig. 2)

STEP 2 (OPTIONAL) - INSERT SHEET METAL SCREWS FOR ADDITIONAL SUPPORT (Fig. 3)

STEP 3 - DETERMINE THE DESIRED HEIGHT OF THE FLEXIBLE DUCT

STEP 4 - SCREW CHANNEL TO JOIST USING 3/4" OR 1" SCREWS

STEP 5 - ROTATE SADDLE TO ACCOMMODATE THE DIRECTION OF THE DUCT (Fig. 4)

STEP 6 - INSERT FLEXIBLE DUCT INTO SADDLE

STEP 7 (OPTIONAL) - SECURE FLEXIBLE DUCT USING HVAC FOIL TAPE (Fig. 5)

RAFTER INSTALLATION INSTRUCTIONS

STEP 1 - BEND SADDLE INTO UPRIGHT POSITION (Fig. 1) AND LOCK INTO PLACE (Fig. 2)

STEP 2 (OPTIONAL) - INSERT SHEET METAL SCREWS FOR ADDITIONAL SUPPORT (Fig. 3)

STEP 3 - DETERMINE THE DESIRED HEIGHT OF THE FLEXIBLE DUCT

STEP 4 - SCREW CHANNEL TO RAFTER USING 3/4" OR 1" SCREWS

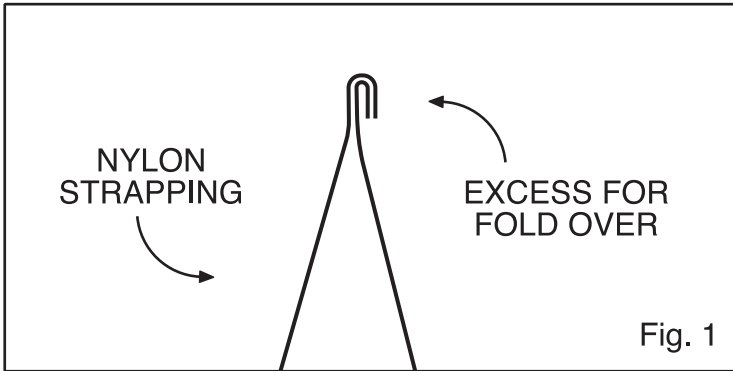
STEP 5 - ROTATE SADDLE TO ACCOMMODATE THE DIRECTION OF THE DUCT (Fig. 4)

STEP 6 - INSERT FLEXIBLE DUCT INTO SADDLE

STEP 7 (MANDATORY) - SECURE FLEXIBLE DUCT USING HVAC FOIL TAPE (Fig. 6)

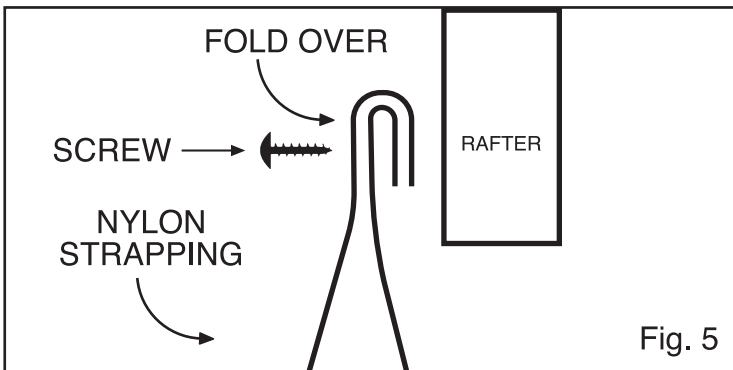
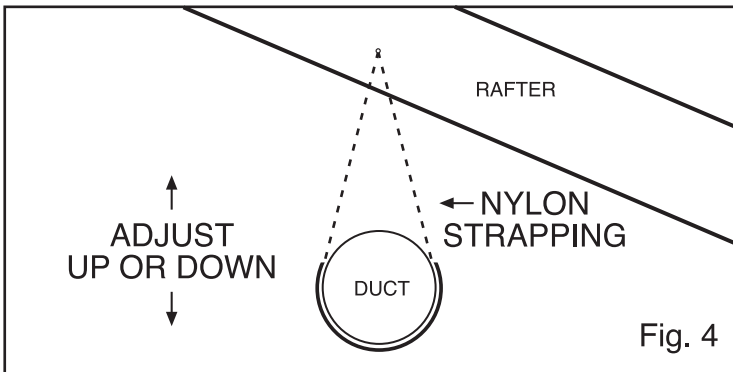
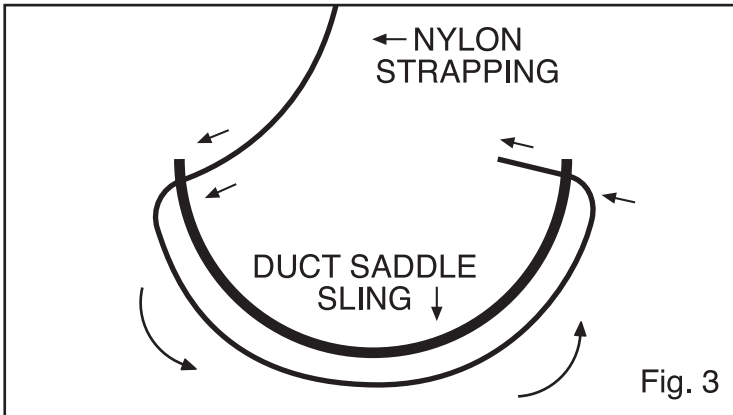
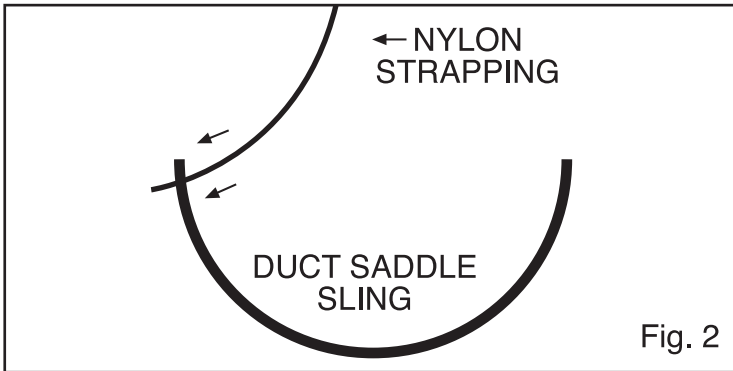
Duct Saddle, LLC has received confirmation from the ICC Evaluation Service, Inc. (ICCES) that its Duct Saddle complies with the provisions of the 2006 International Mechanical Code® and 2006 International Residential Code®. Evaluation Service Report: ESR-1508; PMG 1032. US Patent Number 7540452.

DUCT SADDLE SLING INSTALLATION INSTRUCTIONS



FOR A NICE ROUND BEND, INSTALL THE DUCT SADDLE SLING APPROXIMATELY 18" AWAY FROM THE PRE-INSULATED BOX.

PLACE DUCT SADDLE SLINGS APPROXIMATELY 4' AWAY FROM EACH OTHER.



RAFTER INSTALLATION INSTRUCTIONS

STEP 1 - APPROXIMATE HEIGHT OF DUCT/DISTANCE FROM RAFTER USING NYLON STRAPPING. CUT NYLON STRAPPING LEAVING SOME EXCESS TO FOLD OVER PRIOR TO SECURING TO RAFTER (Fig. 1)

STEP 2 - THREAD NYLON STRAPPING THROUGH SLOT ON ONE SIDE OF DUCT SADDLE SLING ENTERING THROUGH THE INSIDE OF THE SLING (Fig. 2)

STEP 3 - CONTINUE TO DRAW NYLON STRAPPING THROUGH SLOT FOLLOWING THE UNDERSIDE OF THE DUCT SADDLE SLING. THREAD THE NYLON STRAPPING THROUGH THE SLOT ON THE OPPOSITE SIDE OF THE DUCT SADDLE SLING ENTERING THROUGH THE OUTSIDE OF THE SLING (Fig. 3)

STEP 4 - INSERT FLEXIBLE DUCT INTO SADDLE BEFORE PULLING APPROPRIATE LENGTH OF NYLON STRAPPING THROUGH SECOND SLOT

STEP 5 - PULL NYLON STRAPPING THROUGH SECOND SLOT UNTIL ENDS OF NYLON STRAPPING MATCH UP.

STEP 6 - DETERMINE AND ADJUST HEIGHT TO KEEP DUCT STRAIGHT (Fig. 4)

STEP 7 - FOLD OVER EXCESS NYLON STRAPPING FOR ADDITIONAL STRENGTH. SCREW TO RAFTER THROUGH FOLDED PORTION OF NYLON STRAPPING USING 3/4" OR 1" SCREWS (Fig. 5)

Duct Saddle, LLC has received confirmation from the ICC Evaluation Service, Inc. (ICCES) that its Duct Saddle complies with the provisions of the 2006 International Mechanical Code® and 2006 International Residential Code®. Evaluation Service Report: ESR-1508; PMG 1032. US Patent Number 7540452.