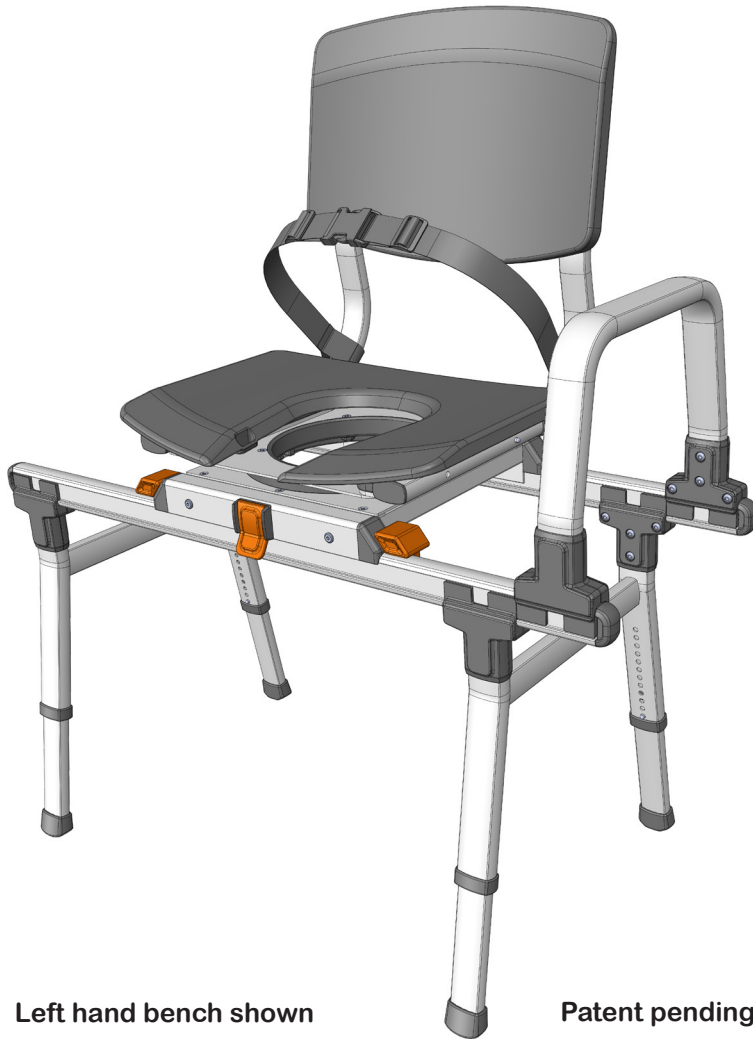




SolutionBased

ShowerGlyde

MODEL 3

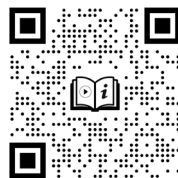


Left hand bench shown

Patent pending

**Bathing transfer bench for easy access
when showering over tubs.**

Scan QR code for instruction video

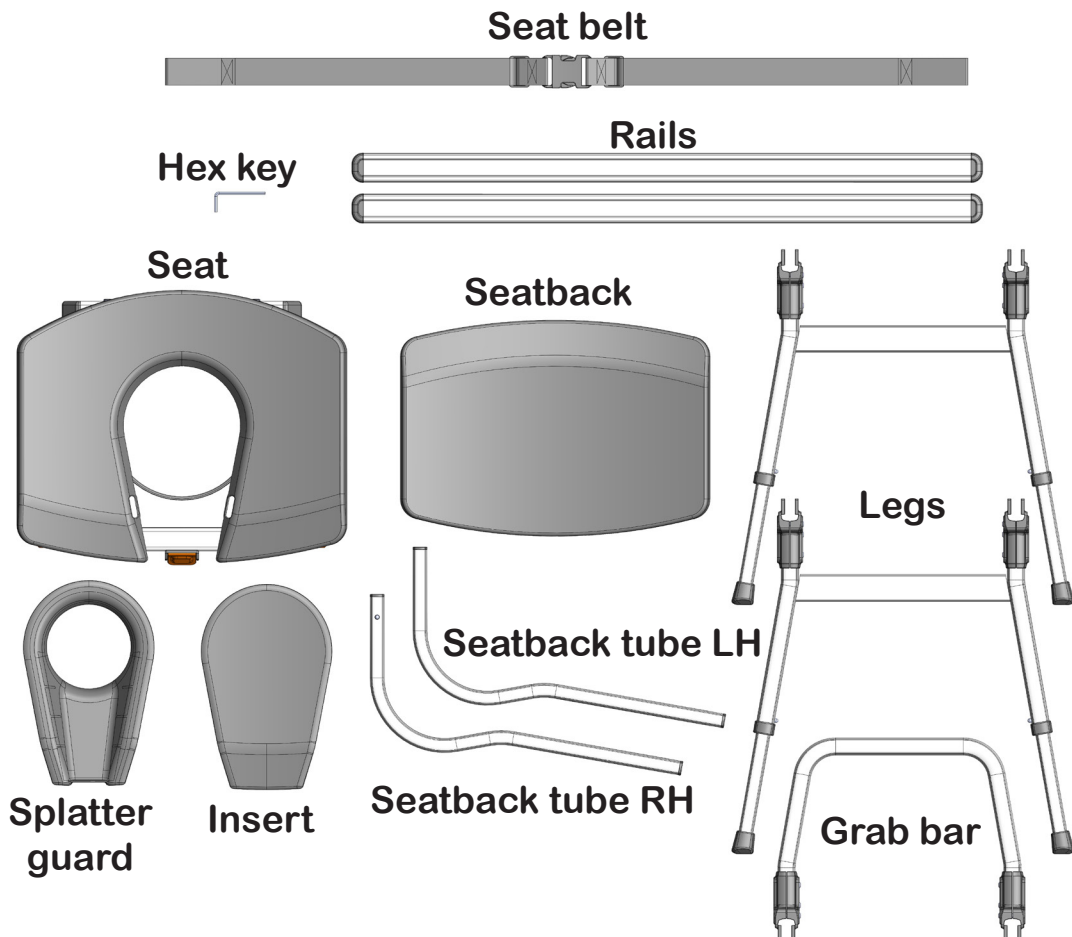


<https://sb.care/sg3manual>

PLEASE FOLLOW THE INSTRUCTION STEP BY STEP

| Contents: | Page |
|--|------|
| Parts | 2 |
| Step 1: Bench definition | 3 |
| Step 2: Fit rails | 3 |
| Step 3: Fit legs | 4 |
| Step 4: Fit grab bar | 5 |
| Step 5: Seatback assembly installation | 5 |
| Seat operation | 6 |
| Seat insert positioning | 6 |
| Bench height adjustment | 7 |
| Exploded parts | 7 |
| Intended Usage and Indications | 8 |
| Safety Warning | 8 |
| Cleaning & Maintenance & Storage | 8 |
| Warranty | 9 |
| Contact | 10 |

Parts

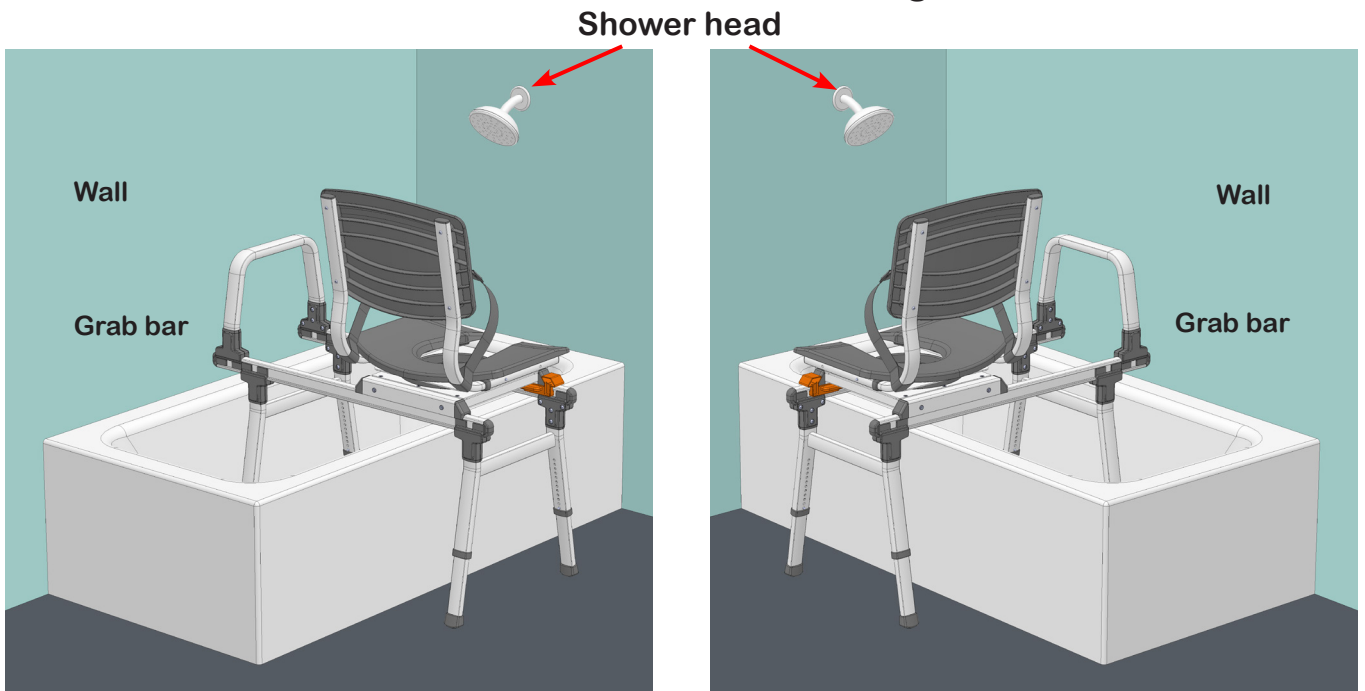


Step 1: Bench definition

Decide which bench to assemble

Left hand bench

Right hand bench

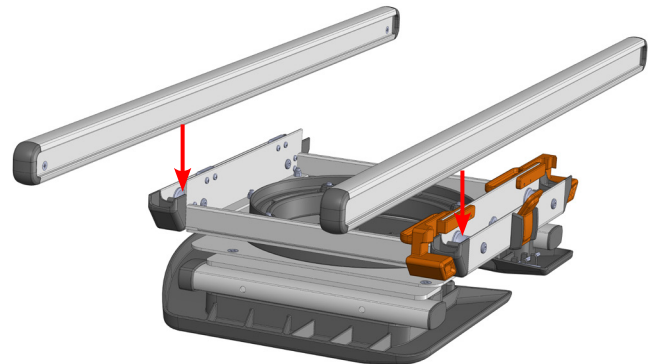


Grab bar goes to wall side
Seat faces the shower head

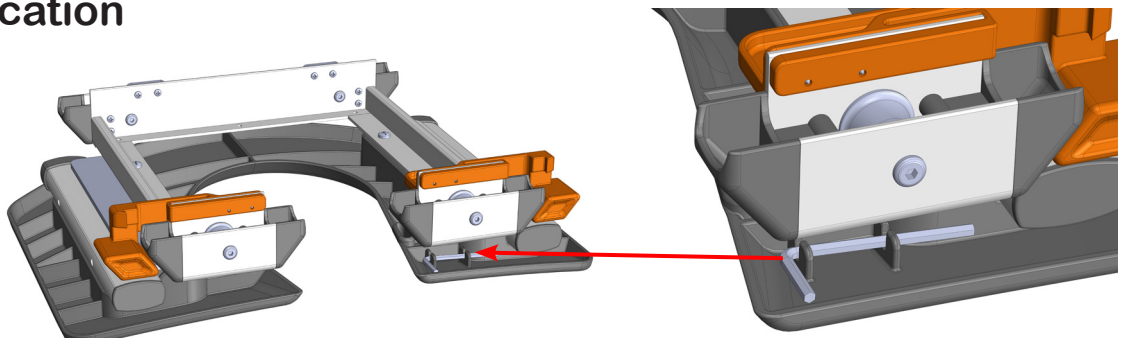
Assembly instructions

Step 2: Fit rails

With seat opening facing towards you, turn seat upside down.
Lower rails onto rollers

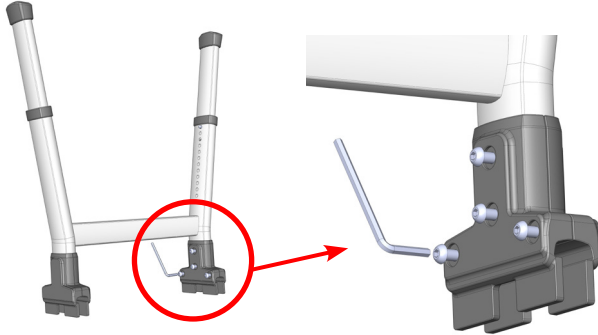


Hex key location



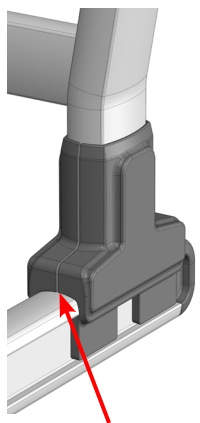
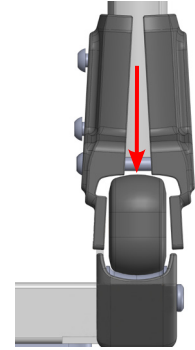
Step 3: Fit legs

LH seat shown
RH seat is opposite

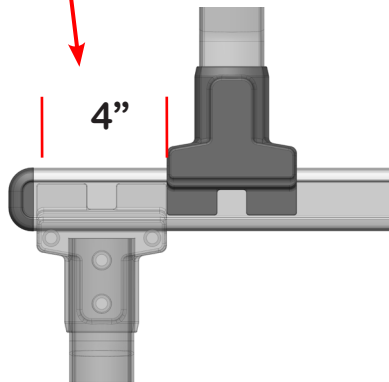


a: Loosen leg clamp screws

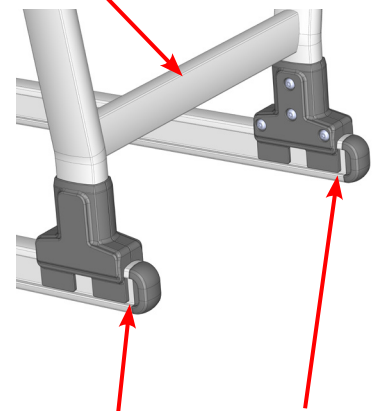
b: Open clamps to fit over rail



e: Check if the clamp is fully engaged (no gaps between the clamp & the rail)



d: Locate leg 4" (100mm) from rail end to allow for grab bar



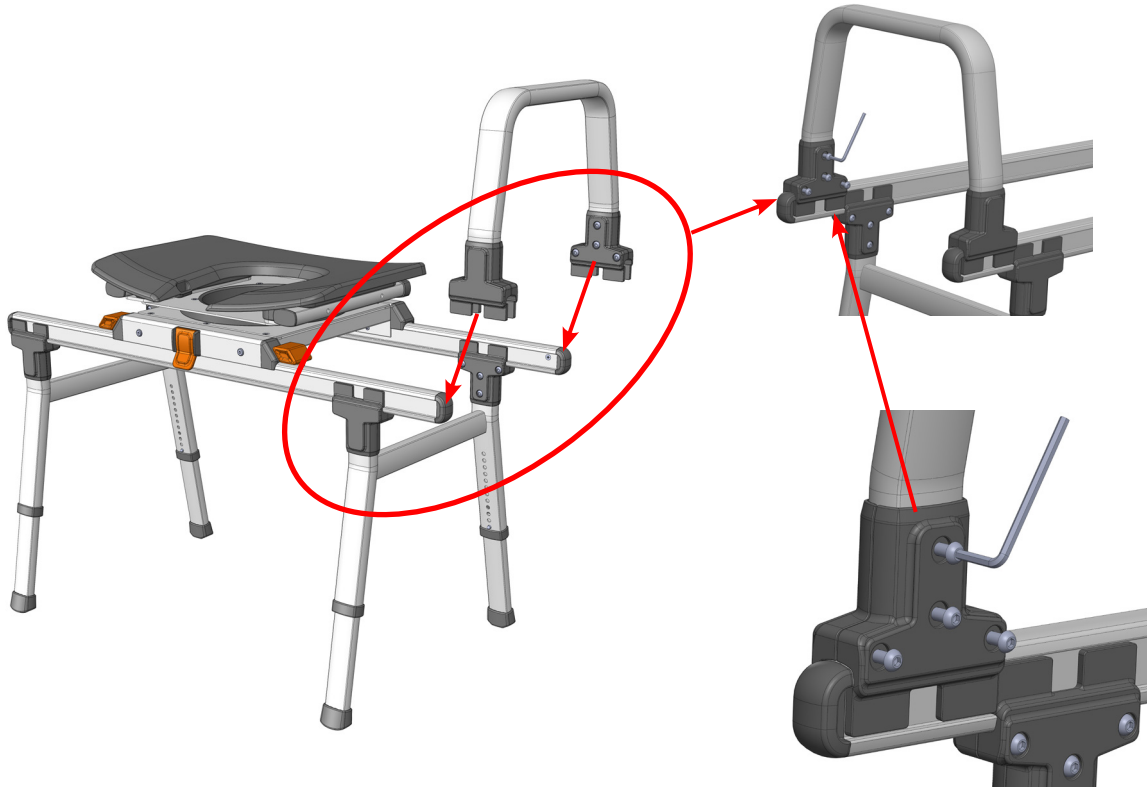
c: Align rail ends with leg clamps, equal on both sides

NOTE:

Ensure all screws are fully tightened, using the hex key provided

Step 4: Fit Grab bar

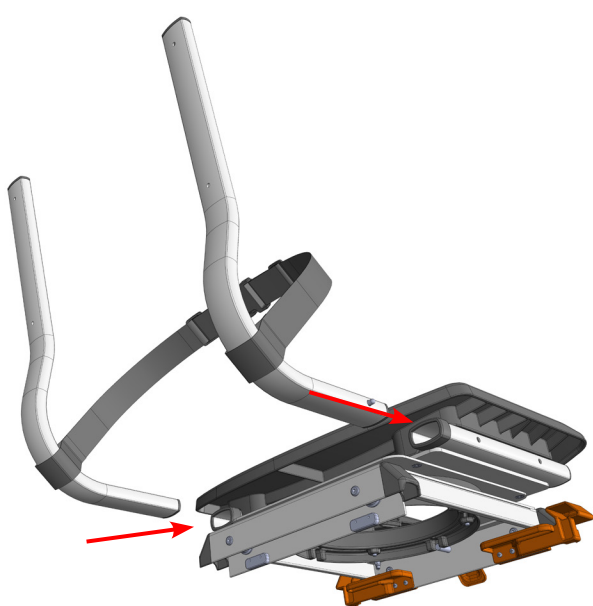
Place grab bar at rail end



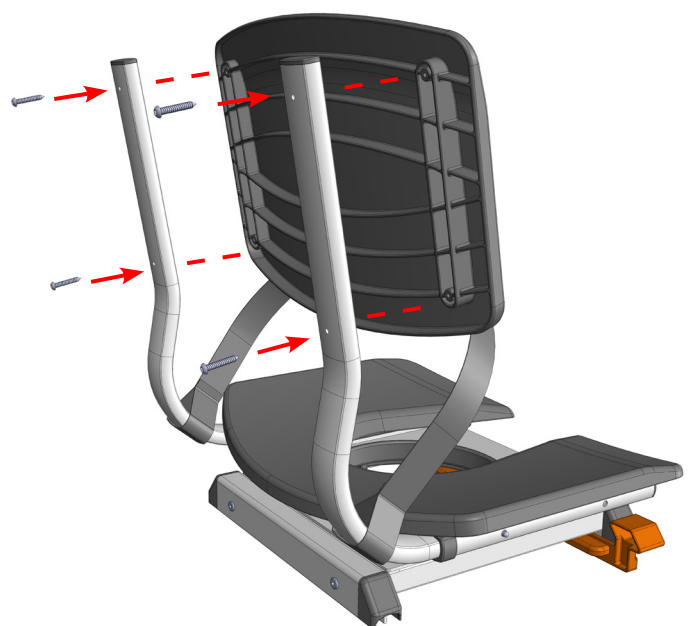
NOTE:

Ensure all screws are fully tightened, using the hex key provided

Step 4: Seatback assembly Installation



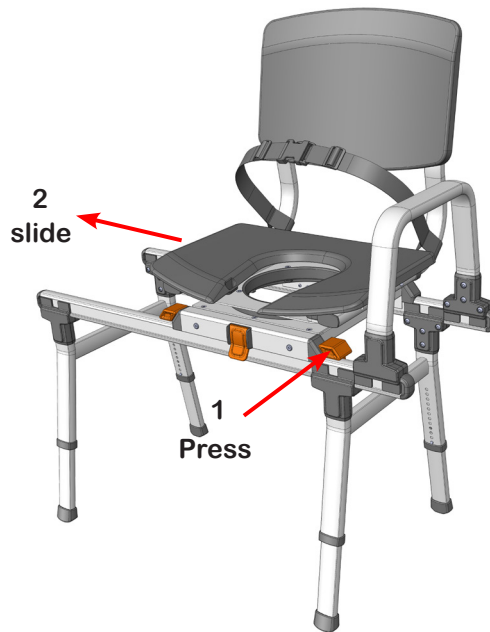
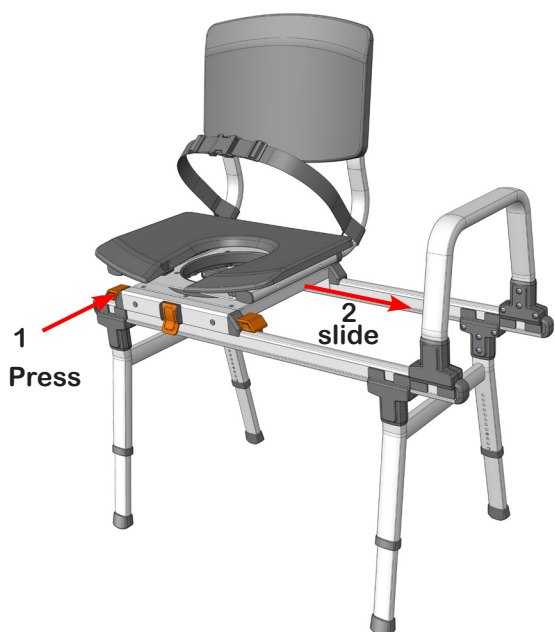
Fit seat belt to seatback tubes and slide into the seat tubes



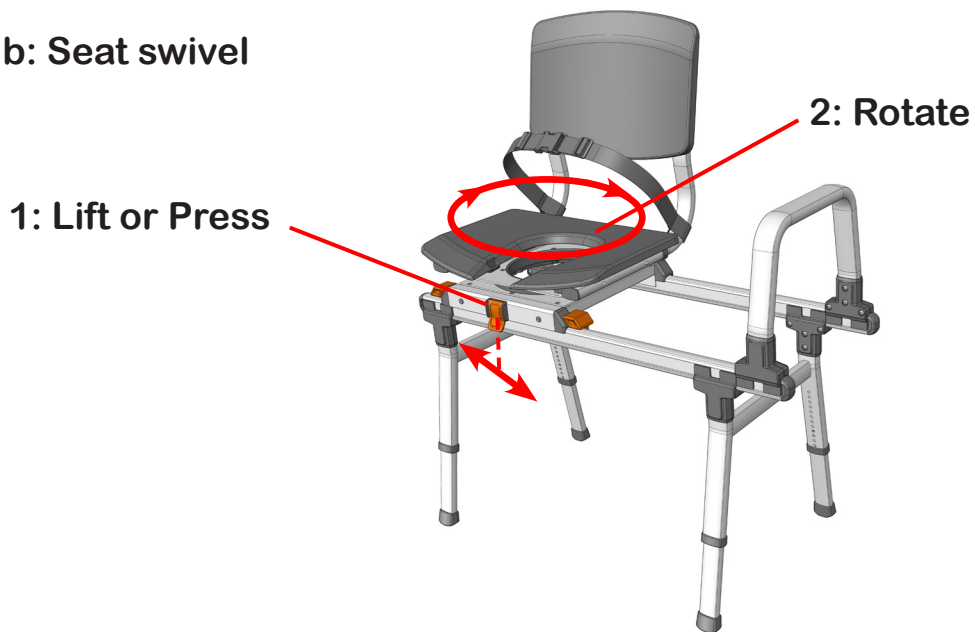
Fit seatback to seatback tubes with screws provided

Seat operation

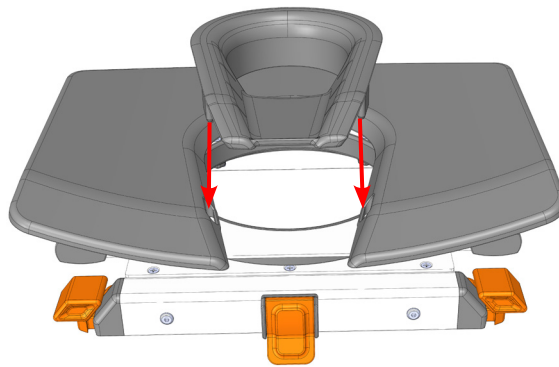
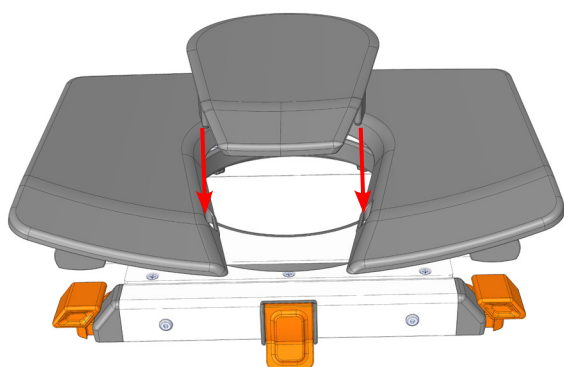
a: Seat side slide



b: Seat swivel

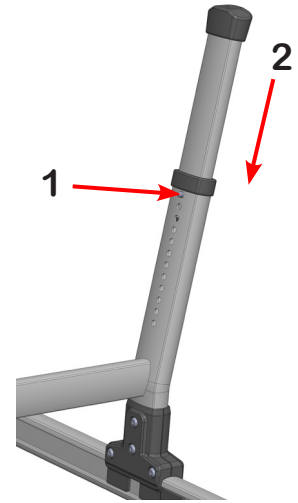


Seat insert positioning

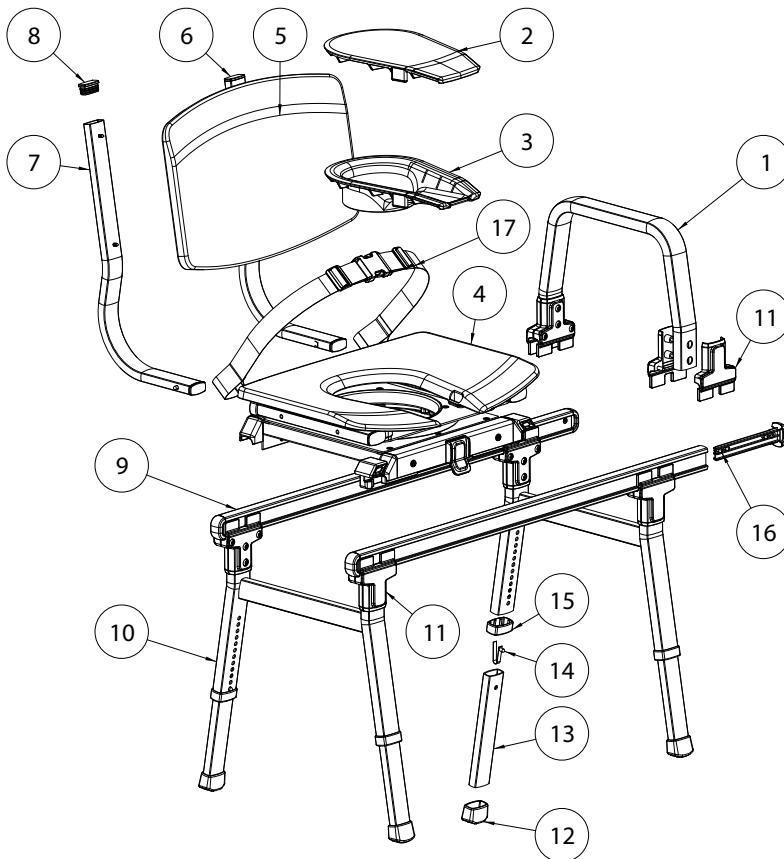


Bench height adjustment

Adjust leg to suit the tub height.
Ensure the bench rails are level to the floor.
Adjust the legs by pressing the spring button (1)
and sliding the inner leg (2) accordingly.



Exploded parts



- ① - grab bar
- ② - seat insert
- ③ - seat splatter guard
- ④ - seat
- ⑤ - seatback
- ⑥ - seatback tube LH
- ⑦ - seatback tube RH
- ⑧ - seatback tube end cap
- ⑨ - rail
- ⑩ - leg assembly
- ⑪ - rail clamp
- ⑫ - rubber foot
- ⑬ - lower leg
- ⑭ - push pin
- ⑮ - leg sleeve
- ⑯ - rail end cap
- ⑰ - seat belt



NOTE:
Ensure all screws are fully tightened, using the hex key provided

Intended Usage and Indications:

The ShowerGlyde transfer bath chair is for homecare and out-patient purposes. The chair is to be used exclusively for assistance during showering or bathing. The ShowerGlyde bath chair is not designed for long periods of sitting.

Contraindications:

- ShowerGlyde is not recommended for persons with severe immobility or lack of body control.
- Keep children away from this device and do not let them play with any parts.

Safety Warning

READ ALL SAFETY INFORMATION BEFORE USE

The following must be read before using the ShowerGlyde to ensure safe operation.

The manufacturer, importer or dealer is not responsible for any injury or damage resulting from the misuse or inappropriate operation of the ShowerGlyde.

Failure to comply with these safety instructions may result in injury or damage!

- NEVER use this device with individuals who are severely mentally, cognitively, physically or vision compromised.
- ALWAYS attach safety belt and adjust to a snug fit around users hips.
- NEVER leave a compromised user unattended.
- ALWAYS ensure that the legs are properly adjusted to ensure that the bench is level side to side and front to back.
- NEVER exceed the maximum weight capacity of 330 lbs. (150kg)
- If any part of the ShowerGlyde requires maintenance please contact SolutionBased Inc.

Any problems that could affect safe operation of the system MUST be attended to immediately.

- If you are unsure of how to perform safe transfers into and out of ShowerGlyde please contact a local therapist or health professional.
- NEVER make adjustments to the ShowerGlyde while user is on chair.

Cleaning & Maintenance & Storage:

Care

In general the ShowerGlyde can be cleaned using a mild conventional cleaning and disinfecting agent. Simply wipe the chair with clean water and cloth, and then wipe dry with a clean cloth. Do not use an abrasive scouring agent or cleaners that contain aggressive solvents (acids, thinners).

Do not use stiff cleaning brushes, as these will damage the plastic surfaces or cause deposits to build up on the plastic parts and other materials.

Keep the product clean and clean it in regular intervals. In the sensitive areas is hygiene very important.

- Do not oil or grease any parts
- Keep the moving parts free from scale, soap residue and hair by cleaning after use in the shower.

The cause of accidents or damage may be due to the late detection of wear and / or improper use, as well as irregular or no maintenance. For safety reasons and for preventing accidents, the chair must undergo a complete maintenance at least once a year.

Maintenance

Periodic safety-related controls are needed:

- Check for apparent damage: (cracks, fractures, loose parts).
- Check all screwed connections for tightness.
- Sliding ability, check function of the track (replace if defective).
- Check accessories for defects.

Repair

• If you have questions concerning maintenance and repairs to the chair, then contact SolutionBased Inc.

• When making repairs, use only original spare parts from SolutionBased Inc.

Observe all advisories concerning guarantee and warranty.

• Never make any unauthorized modifications or conversions to the chair. These will only adversely affect the safety and function of the chair. In such cases SolutionBased Inc. assumes no liability!

• Follow all the instructions when ordering spare parts, re-use and product lifetime of the chair.

• After a complete maintenance or repair of the chair is done, we recommend a complete cleaning for assuring hygiene. Follow the cleaning instructions.

Warranty

The ShowerGlyde frame has a warranty of 1 year against defects, when noticing/ respecting SolutionBased Inc general terms and conditions as well as the intended use of the product. Proof of purchase is required.

Unauthorized changes made to the product, without the consent of the manufacturer will void the warranty.

Warranty Exclusions

Product or part failure due to normal wear and tear.

Limitations

• Warranty is void if the original serial number tag is illegible.

• Warranty is void if the ShowerGlyde has been subjected to neglect, improper maintenance, storage, cleaning or operation as defined in the Owner's Manual.

• The warranty is void if the ShowerGlyde is modified in any way.

• This Warranty applies to the original purchaser only and goes into effect on date of purchase.

SolutionBased Inc.
Address: 12405 Montague St. Pacoima CA 91331.
Phone number: (800)-337-6660
Website: www.sb.care

