



POSITIVE POSTURE®

# CAFÉ+

True Zero Gravity Massaging Recliner with Heat

---

## OWNER'S MANUAL

---

Read this manual thoroughly before you start using your chair.  
In particular, please pay close attention to the sections of this manual devoted to safety.

Follow the instructions in this manual for the safe use and maintenance of your chair. This manual should be kept on hand as a reference.

This product is designed for home use.

POSITIVE POSTURE RECLINER  
MODEL: CAFÉ+ | F04290A

# CONTENTS

---

02	Introduction
03	Caution & Warnings
11	Main Features
13	Parts & Functions
14	Assembly
18	Remote Functions
20	Operation & Use
24	Cleaning, Care & Storage
26	Warranty & After Sales Service
27	Specifications

# INTRODUCTION

---

Congratulations and thank you.

Positive Posture was the FIRST and only company in the world offering True Zero Gravity recliners to consumers everywhere. Our many years of experience with massage chairs and zero gravity recliners means that your new Positive Posture True Zero Gravity® Café+ is a beautifully balanced blend of aesthetics and engineering. On the day it arrives in your home, it will be the most comfortable seat in your house.

From concept, to design, to production, our team strives to develop, test, and build the most comfortable recliners and massage chairs on earth. We're confident that your Positive Posture powered recliner will provide you with many years of deep relaxation, maximum enjoyment, and reliable performance.







Your new True Zero Gravity is able to place your body into a variety of therapeutic positions that medical professionals recognize as some of the healthiest ways to sit and relax. As your True Zero Gravity chair reclines, you'll feel your muscles start to relax and the pressure of your weight spread more evenly across your whole body, as your spine decompresses. And when you reach the zero gravity position, you'll notice the immediate "Ahh..." that comes when your body and mind register just how comfortable you are.

We don't want you to overlook any of your chair's features, and we want you to use it safely. So before using your recliner for the first time, please read and understand the entire owner's manual. Pay especially close attention to the important information contained in the Safety Precautions section of this booklet.

Thank you again for making Positive Posture a part of your daily life. Your naps just got a whole lot better!

# CAUTIONS & WARNINGS

## Indications, Symbols, & Descriptions

 <b>WARNING</b>	This action could result in serious injury or death
 <b>CAUTION</b>	This action could result in personal injury or damage to property
	This action is prohibited
	Further action is required
	Do not disassemble
	Unplug power cord from wall outlet

## Important Safety Precautions

- Please follow all basic precautions while using this chair.
- Please read all instructions before using this chair. Refer to your Owner's Manual for important information about assembly as well as correct and safe procedures for using the chair.
- The above symbols are used to identify important safety instructions. Please familiarize yourself with these symbols and their meanings.
- Remember to keep this Owner's Manual in an easily accessible place.

## General Safety



### TO REDUCE THE RISK OF ELECTRIC SHOCK

Always unplug this appliance from the electrical outlet immediately after using and before cleaning.



### TO REDUCE RISK OF BURNS, FIRE, ELECTRIC SHOCK, OR INJURY TO PERSONS

- An appliance should never be left unattended when plugged in. Unplug from outlet when not in use and before putting on or taking off parts.
- Do not operate under blanket or pillow. Excessive heating can occur and cause fire, electric shock, or injury to persons.
- Close supervision is necessary when this appliance is used by, on, or near children, invalids, or disabled persons.
- Use this appliance only for its intended use as described in this manual. Do not use attachments not recommended by the manufacturer.
- Never operate this appliance if the cord or plug is damaged, if it is not working properly, if it has been dropped or damaged, or if it has been exposed to water. If this happens, contact the service center for examination and repair.
- Do not carry this appliance by the supply cord or use the cord as a handle.
- Keep the cord away from heated surfaces.
- Never drop or insert any object into any opening.
- Do not use outdoors.
- Do not operate where aerosol (spray) products are being used or where oxygen is being administered.
- To disconnect, remove plug from the outlet.
- Use heated surfaces carefully. May cause serious burns. Do not use over areas with sensitive skin or in the presence of poor circulation. The unattended use of heat by children or incapacitated persons may be dangerous.
- Keep children away from extended foot support (or other similar parts).

# CAUTIONS & WARNINGS

---

## **Plug & Outlet Instructions**

This product is equipped with a polarized plug. It will fit in a polarized outlet only one way. If the plug does not fit fully in the outlet, reverse the plug. If it still does not fit, contact a qualified electrician to install the proper outlet. Do not alter the plug on the recliner in any way.

Do not use electric supply other than 120V A/C. There is a risk of shock or fire with the use of improper power.

This product is electronic and has an inherent risk of shock. Inspect the power cord regularly for damage. Immediately unplug and do not use your chair if you notice any damage to the power cord.

## Safety During Installation



ELECTRICAL  
GROUNDING

- This product uses a normal Alternating Current (AC) circuit. Always make sure that the chair is connected to an outlet that has the same configuration as the plug, and is fully inserted into the outlet.
- This chair must be plugged into an appropriate outlet that has been properly installed in accordance with all local codes and ordinances.
- Do not use with any type of transformer device.
- Any modification of the plug provided is prohibited and can cause serious injury. If the plug does not fit into an outlet, contact a qualified electrician for proper installation.
- Please unplug this chair from the electrical outlet after use and before any cleaning or maintenance.



ELECTRICAL  
GROUNDING

- This product is intended for use described in this Owner's Manual. Do not use any attachments that are not recommended by the manufacturer.
- Do not use this appliance if the cord or plug is damaged, if it is not working properly, if it has been dropped or damaged, or if it comes into contact with water. In case of any of these scenarios, please contact Positive Posture Service immediately.
- Never use this appliance where aerosol spray products are used or oxygen is being administered.
- Excessive heating of this product can occur and cause fire, electric shock, or serious injury. Do not operate under a blanket, pillow, or heated surface.
- Do not try to move or carry this appliance by pulling or holding onto the power cord.
- Keep power cord away from all heated surfaces.

# CAUTIONS & WARNINGS

## Safety During Installation



### TO AVOID ACCIDENT AND INJURY

- Install the chair on a flat and level surface.
- Allow at least 27" (68.6 cm) clearance from the chair's back to a wall to allow sufficient space for reclining up and down.
- This appliance is not recommended for children under the age of 14. Please keep children away while in use or storage.

### TO AVOID DAMAGE

- Do not use outdoors.
- Stoves, heating products, direct sunlight, or other high temperature areas can cause fading, discoloration, or hardening of the upholstery. Please keep your chair away from this type of exposure.

## Safety Before Use



### PEOPLE NOT SUITABLE TO USE THE CHAIR

- People with circulatory problems (such as varicose veins or thrombosis), children, and those advised not to use a massage chair by their doctor should not use this chair.
- If you have any of the following health conditions, please consult your doctor for medical advice before using this chair: serious heart problems, serious diabetes, serious osteoporosis, serious skin conditions, malignant tumor(s), sensory impairment, pregnancy (or suspected pregnancy) or those who have just given birth, acute gastrointestinal complaints (gastritis, hepatitis, enteritis), joint dysfunction such as rheumatism, hammer toe and gout, thecitis (or suspected thecitis), high fever, spinal abnormalities due to past injury or ailment, curvature of the spine (scoliosis acute neck sprain (whip lash), or any other medical condition that may contraindicate usage of this product.
- Do not use this chair if you have recently consumed alcohol.
- This appliance is not intended for use by persons (including children) with reduced physical, sensory or mental capabilities, or lack of experience and knowledge, unless they have been given supervision or instruction concerning use of the appliance by a person responsible for their safety.



## Safety Before Use, continued...



### TO AVOID ACCIDENT, INJURY, AND DAMAGE

- Children should be supervised to ensure that they do not play with the appliance.
- The appliance has a heated surface. Persons sensitive to heat must be careful when using the appliance.
- Do not use this chair for any other reason than described in this manual.
- Do not use this chair with any other therapeutic device or accessory besides those included.
- This chair is intended to be used with all the fabric attached. Failure to do so can result in serious injury.
- Do not move the chair while someone is in it.
- Do not stand on this chair.
- Do not sit on any part of the chair other than the seat.
- Do not sit, stand, or lean on the foot rest.

## Safety During Use



### TO AVOID ACCIDENT AND INJURY

- Do not wrap the power or remote cord around your body or place the chair on top of the cord.
- Do not scratch, tear, treat, twist, stretch, or bend the power or remote cord.
- Spilling water or other liquids on this chair may result in electric shock, short circuit, or combustion.
- Do not allow children, invalids, or disabled persons near the chair without close supervision.
- Keep all persons away from the reclining back rest and extending foot rest to avoid injury.
- Do not use the chair while more than one person is sitting in it, or when holding a baby or small child.
- Do not use the chair if any part of your body, including your hands, is wet.
- Do not use the chair unclothed.
- Do not use this chair for any purpose other than its intended uses outlined in this manual.

# CAUTIONS & WARNINGS

---

## Safety During Use, continued...



### TO AVOID ACCIDENT AND INJURY

- Do not place your hands or feet into any moving parts, such as the reclining mechanism.
- Do not use the leg rest for anything other than legs or feet.
- Do not put your hands or head between or beneath the leg rest.
- Never unplug the power cord during operation.
- Immediately discontinue use of the chair and seek medical advice if you notice any acute pain or unusual physical discomfort.
- If the massage feels too strong, discontinue use immediately.
- Do not use this chair with the back pad removed.



### TO AVOID DAMAGE

- Do not use this chair if there is a power outage or the possibility of one. In this case, stop using the chair immediately and unplug the cord from the wall outlet.
- Do not use this chair if there is a threat of lightning. If so, stop operation immediately and unplug the chair from the wall outlet.
- If a specific operation does not start or you find any incidence of abnormality, stop using the chair and unplug the cord from the wall outlet. Call Positive Posture immediately.

## Safety During Use, continued...



### TO AVOID DAMAGE

- Do not use the massage in this chair for any longer than 30 minutes each day. Long and continuous massage in the same position may cause discomfort or bodily harm.

### OTHER SAFETY PRECAUTIONS

- Do not cause any major impacts to the chair.
- Do not sit on any part of the chair other than the seat.

## Safety After Use and When Not in Use



### TO AVOID ACCIDENT, INJURY, AND DAMAGE

- Do not plug or unplug the chair with wet hands.
- Do not use any other power cord except the one supplied.
- Grasp the power plug when unplugging the cord from an outlet. Do not use the power cord to pull.
- Periodically check and re-tighten seat back mounting bolts.
- Wipe down the chair after each use.
- Always store the chair in a low humidity environment.
- Do not place any objects on the chair.
- In case of malfunction, do not attempt to repair. Contact Positive Posture Service.
- Do not modify any part of the chair.
- Be sure to include this Owner's Manual when transferring this chair to another party.
- Do not dispose of this product or its accessories without consulting with your local authorities beforehand.

# MAIN FEATURES

---

Positive Posture was the first company in the world to design and bring to market a two-motor zero gravity recliner. Customers raved, and we're proud that you have decided to place our comfortable, customizable, and marvelously crafted Cafe+ True Zero Gravity® in your home.

## Four Key Comfortable Positions

- UPRIGHT - Yes, your recliner has been designed to be comfortable in every configuration. This means that even when upright, you'll feel comfortable and supported.
- TV/READING - The preset position gets you comfortable for your favorite TV show, movie, magazine, or novel.
- TRUE ZERO GRAVITY® - Only positive Posture offers True Zero Gravity. The best position for evenly spreading pressure along the entire length of your body. Reduces stress and strain on the low back.
- HIGH THERAPY - Elevates the lower extremities above the heart and helps reduce swelling or soreness of the ankles, calves, or knees. Wonderful for those who spend long hours standing, are recovering from ankle or knee injury or surgery, or reducing the swelling associated with edema.

## Low Back and Leg Massage

Soothing massage is available in the low back and leg. You can select whether you want massage to one of these areas or to both areas simultaneously.

## Infrared Heat

Encourage blood flow and relax tired muscles with penetrating relief from two infrared heat sources positioned in the low back and seat.

## Optimal Back-to-Seat Pan Angle

The back rest of your Cafe+ intersects the seat pan at an angle of 110°, a position that is reclined back 20° from the vertical. This is the optimal angle for maximum comfort in the upright position and for all positions between upright and full recline.

## Independent Footrest and Back Recline Control (and Unlimited Personalization)

Independent actuators control the recline angle and footrest angle of your recliner. With you in total control of the position of these two critical surfaces, you're also in total control of your comfort. Long-time owners of our recliners know how comfortable it is to be able to constantly vary recline angle and footrest angle, and the Cafe+ makes constant, little tweaks simple and quick. And why does this matter? It matters because we all know that static postures, in and of themselves, are a source of fatigue and pain. Cafe+ makes it easy to keep moving so that you stay comfortable and relaxed.

## Articulating Headrest

Our customizable headrest allows you to vary the level of head and neck support provided by your Cafe+. The friction joint allows you to customize the angle of the headrest and set it in a position that is most comfortable to you. It's also always easy to change the angle for another user, or when you're ready for a new position.

## **Adjustable Cervical Neck Pillow**

We've focused closely on this detail. You might think that a pillow is a pillow. That's not the way the Positive Posture team looked at it. We've included just enough stuffing in the pillow to give excellent support for the inward (lordotic) curve of your neck. Our cervical neck pillow helps properly align your upper spine. Adjustable and removable.

## **Adjustable Lumbar Support**

Move it up or down. Leave it in, or completely remove it. The addition of this easily adjustable lumbar support is designed to help the Cafe+ fill in the gap between the backrest and your low back. In deep recline positions, it encourages extension of the lumbar spine, which many users find relaxing and comfortable. People with very flat backs may prefer to completely remove the adjustable lumbar support.

## **Extra-Long Power Cord**

For your convenience your recliner comes with an extra long power cord avoiding the need for placing the chair close to an outlet or using messy extension cords. It's a little convenience that we know makes a difference to many of our customers.

## **Durable Steel Frame Construction**

Look "under the hood" and you'll see that all Positive Posture recliners are built to last. All supporting elements of the central structure are fabricated of tough, durable steel.

## **Easy-to-Use Lighted Remote (with Magnetized Stowing)**

Designed with ease of use in mind. It features 3 one-press preset positions, and offers you the option of memorizing two additional favorite positions.

The remote features the following:

- Back recline/incline
- Footrest up/down
- One-Press Presets
  - True Zero Gravity
  - TV/Read
  - Restore
  - Two separate user-defined
  - Memory settings
  - Heat
  - Massage
- Magnet to stow

## **Beautiful Design by Paul Zaidman**

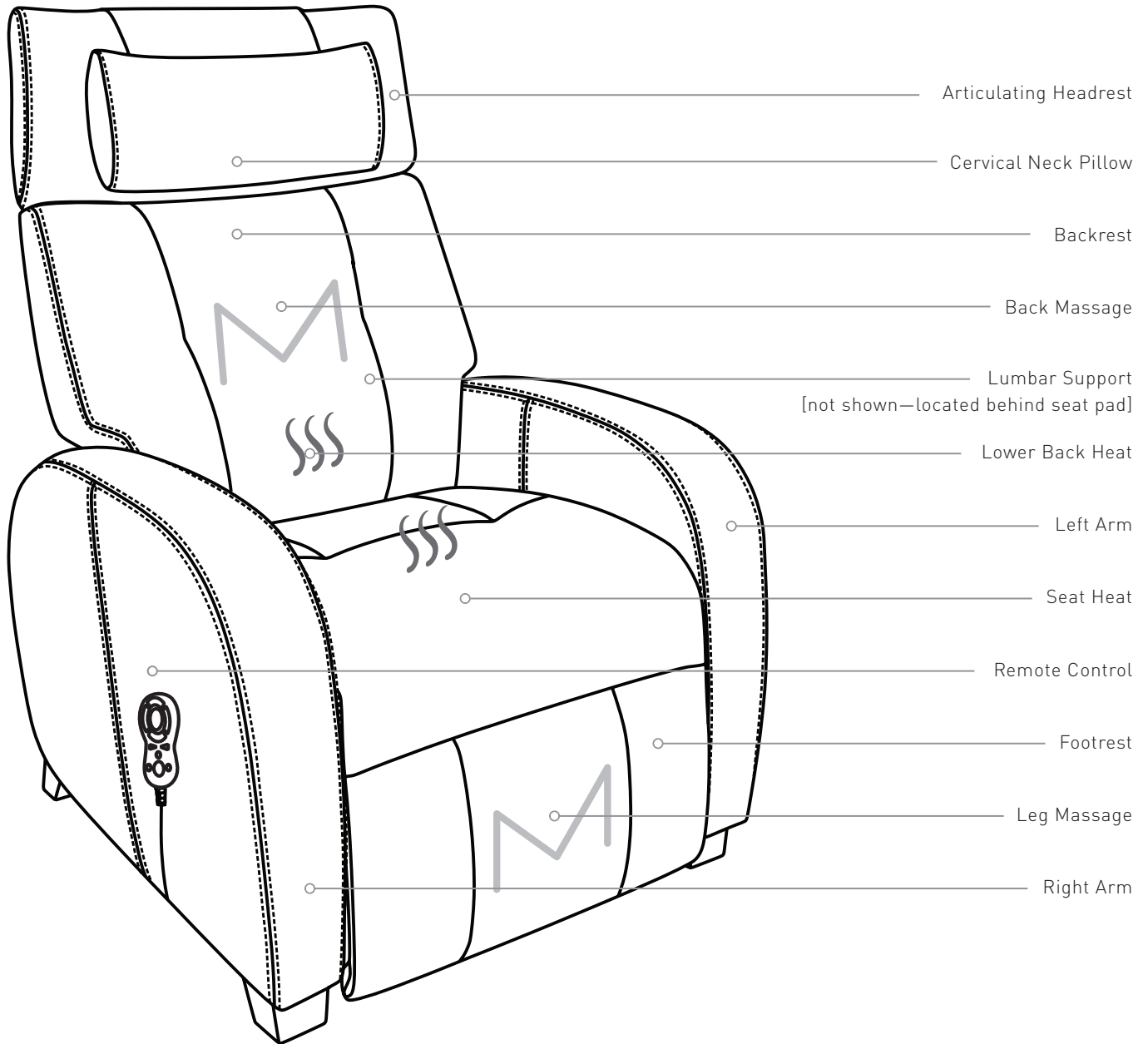
A renowned Canadian designer who has been focused on design of contemporary furniture pieces for the residential market. With over 4 decades of experience in design, engineering and development of high-end upholstered furniture, Zaidman was instrumental in the look, feel, and finish of Positive Posture recliners.

## **Additional accessories (sold separately)**

Your True Zero Gravity recliner has been built with the option to add additional accessories for increased comfort, care and convenience. Visit [www.PositivePosture.com](http://www.PositivePosture.com) or your nearest retailer to learn more about these options.

# PARTS & FUNCTIONS

---



## Safety During Installation



### TO AVOID DAMAGE

- Do not install the chair in an area of high humidity, such as a bathroom or sauna.
- Do not use the chair in an excessively humid or dusty environment as this may result in malfunction or electric shock.
- Do not use the chair in a room with a temperature of 104-degrees or higher.
- Do not expose the chair to heaters, stoves, or direct sunlight.
- Keep fire sources, such as cigarettes and ashtrays, away from the chair.
- Ensure chair is installed on a flat and level surface to avoid tipping over.
- As the chair is heavy, please exercise extra care not to damage the floor when positioning the chair.

## Assembly Preparation

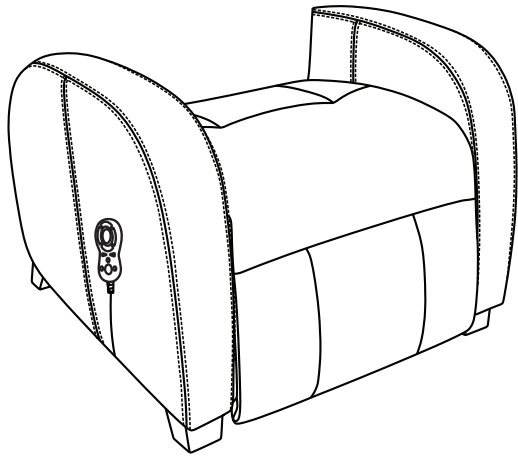
- Ensure there is an allowance of at least 27" (68.6 cm) behind, and 17" (43.2 cm) in front of the chair to allow the back rest to recline and the leg rest to extend without obstruction during operation.
- Maintain a minimum distance of 3' (92 cm) from AV devices, such as a TV or radio, to prevent signal interference.
- It is recommended that a carpet be placed under the chair to prevent scratching the floor and to reduce noise during operation.
- As the chair is heavy, please exercise extra caution.

# ASSEMBLY

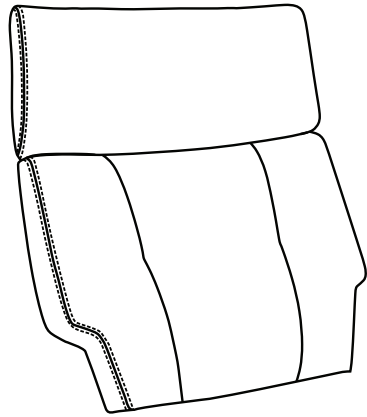
---

## Assembling the Chair

Important: Before starting, check the supplied items to ensure all parts are included in the package.



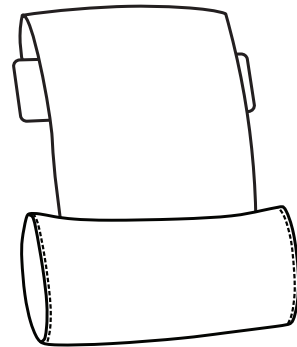
Base/Arms/Remote



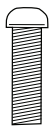
Back Rest



Lumbar Support



Cervical Neck Pillow



Bolts (x4)



Washer (x4)



Allen Wrench



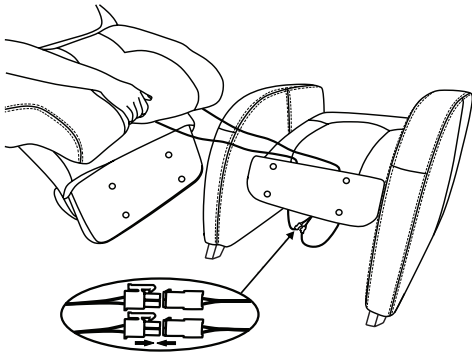
## Assembling the Chair



- To prevent disconnection, be sure to double check all connections by gently pulling on the electrical connectors.

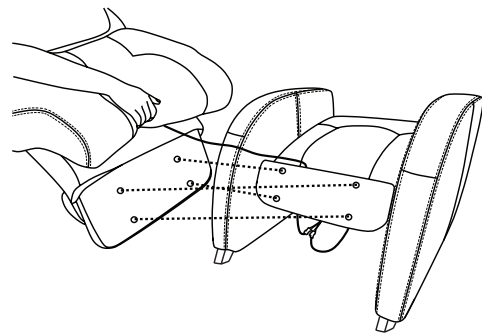
### Step 1

Thread the two cords with small connectors from backrest and connect with the corresponding connectors in the seat base.



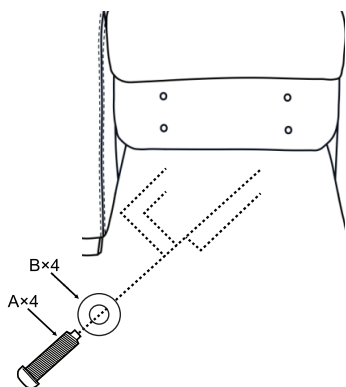
### Step 2

Lift and hold back in place aligning thread holes on the base and recliner back. Be careful not to place tension on the power cord you connected in Step 1.



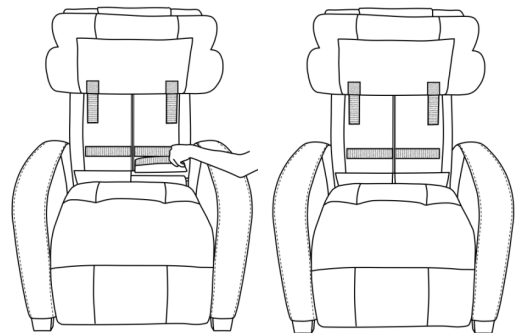
### Step 3

Insert and tighten the 4 bolts with washers as shown. Use an allen wrench (included) to fully tighten.



### Step 4

Lift back cushion and tuck flaps with Velcro between back and base. Pull tight before adhering.



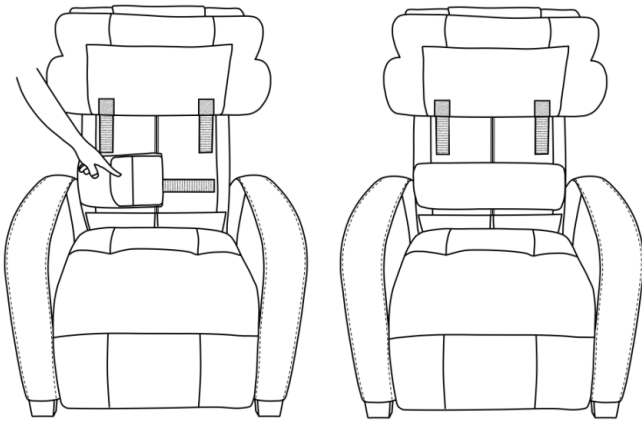
# ASSEMBLY

## Assembling the Chair, Continued...

### Step 5

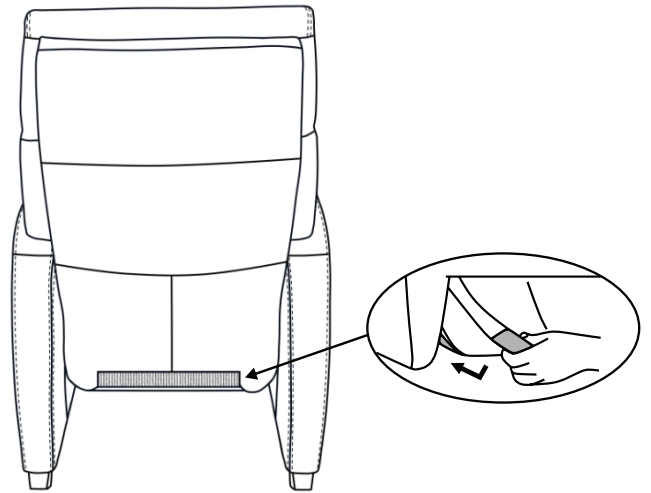
With back cushion still lifted, adjust the lumbar cushion to the position you desire. You can always readjust the lumbar cushion at any time. Lower the back cushion when done.

*NOTE: If a deeper lumbar support is desired, an upgraded Premium Lumbar is available at [www.PositivePosture.com](http://www.PositivePosture.com).*



### Step 6

Firmly pull down on the seat back upholstery so it wraps around the bottom of the frame of the backrest. This fabric will be quite tight, and some effort is required to extend it down past the full length of the backrest.



### Step 7

Drape Neck Bolster over the top of the backrest.

### Step 8

Plug the main power cord of the the recliner into a wall socket.

## Furniture For Life Rechargeable Battery Pack (Sold separately)

Place your recliner anywhere in your home without worrying about keeping it close to an outlet. A Furniture For Life rechargeable battery pack is the accessory we recommend that lets you locate your recliner anywhere you like.

The rechargeable battery pack is also a great safety backup that will allow you to restore your recliner to the fully upright position even in the event that you lose power in your home.

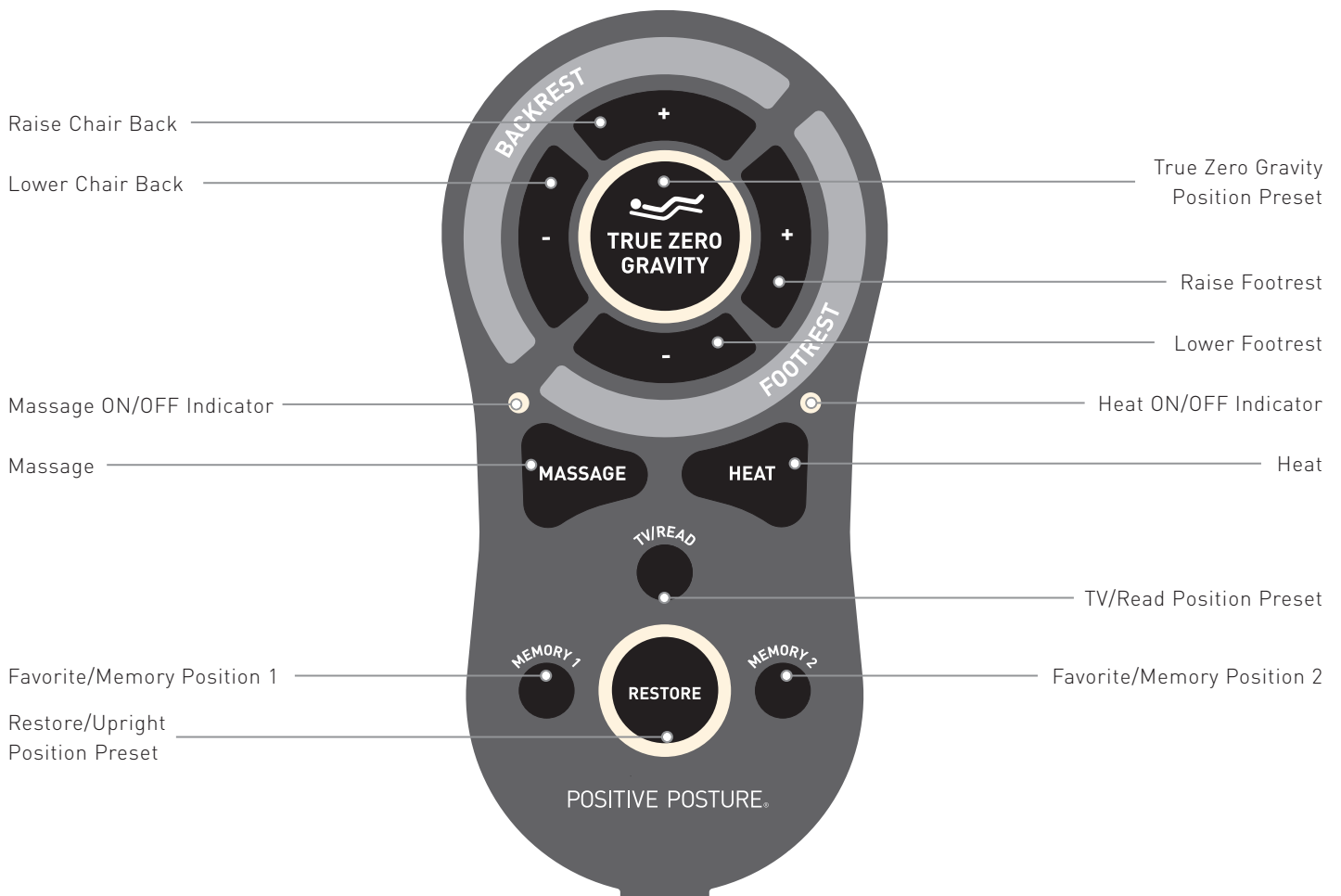
## Positive Posture Premium Lumbar Support (Sold separately)

Take lumbar support and back comfort to a whole new level with our comfortable and supportive Premium Lumbar Support. Fully customizable, the Premium Lumbar Support allows you to adjust the location and depth of support to fit your exact needs. Designed specifically to fit your Cafe+.

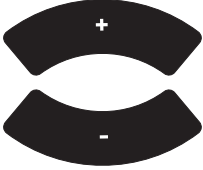
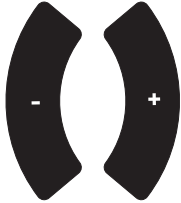








## TO AVOID DAMAGE

- Do not sit, step, or place heavy objects on the remote control.
- Do not drop the remote control.
- It is recommended that the remote control be stored on the arm when not in use.
- Do not exert excessive force on the remote control.
- Do not pull the remote control cord forcefully.
- Do not operate the remote control using sharp edged or hard objects.



# REMOTE FUNCTIONS

	<ul style="list-style-type: none"> <li>• Press and hold to adjust the recline angle of the back. Release when desired position is reached.</li> </ul>
	<ul style="list-style-type: none"> <li>• Press and hold to adjust the angle of the footrest. Release when desired position is reached.</li> </ul>
	<ul style="list-style-type: none"> <li>• Press and hold this button to move your recliner to the preset True Zero Gravity configuration. When the position is reached, the recliner will stop moving, and the button can be released.</li> </ul>
	<ul style="list-style-type: none"> <li>• Press and hold this button to your recliner to the preset TV/Read configuration. When the position is reached, the recliner will stop moving, and the button can be released.</li> </ul>
	<ul style="list-style-type: none"> <li>• Press and hold this button to bring the recliner fully upright with footrest stowed. When the position is reached, the recliner will stop moving, and the button can be released.</li> </ul>
	<ul style="list-style-type: none"> <li>• Press and hold either the Memory 1 or Memory 2 button to configure your recliner into a memorized position set by you. When the position is reached, the recliner will stop moving, and the button can be released. (See page 23 for instructions to set the Memory Position.)</li> </ul>
	<ul style="list-style-type: none"> <li>• Press once to activate BACK ONLY massage   Press a second time switch to LEG ONLY massage   Press a third time to activate BACK &amp; LEG massage together   Press a fourth time to cancel all massage.</li> <li>• When any massage function is operating, the small light indicator directly above this button will illuminate.</li> <li>• Automatically shuts off after 20 minutes and may be restarted after automatic shut off.</li> </ul>
	<ul style="list-style-type: none"> <li>• Press once to activate Heat   Press a second time to Heat off.</li> <li>• When any heat function is operating, the small light indicator directly above this button will illuminate.</li> <li>• Automatically shuts off after 60 minutes and may be reactivated after automatic shut off.</li> </ul>



## TO AVOID INJURY

Always check your surroundings before using your chair to ensure that no people, pets, or objects will be hit or squeezed by the reclining back or footrest.



## TO AVOID DAMAGE AND INJURY

- This chair is meant to be used for indoor household use only. The chair is not designed for commercial purposes.
- If you use the chair in a cold room, do not increase the temperature abruptly. Instead, increase the temperature gradually to a normal level.
- If the chair is stored in a cold place and is moved into a warm environment, wait one hour before use. Otherwise, performance may suffer, or the chair may malfunction.
- Do not sit on the chair with the footrest raised. Sudden heavy weight on the footrest could cause damage to the chair, or it may result in accident or injury.

## Positioning Yourself in the Recliner & Customizing Your Comfort

For maximum seating comfort and maximum support, slide all the way back into the recliner and lean against the backrest before reclining.

- **ADJUSTING THE HEADREST SUPPORT ANGLE:** While seated, reach up with both hands and grasp both sides of the headrest around the frame. Be sure you reach high enough to reach beyond the padded back - you should feel the rigid frame beneath the upholstery. Grasp the frame and tilt the headers forward (or push it back) until you Find Your Comfort™. The headrest will remain fixed in a position until you adjust it again.
- **ADJUSTING THE CERVICAL NECK SUPPORT:** Your True Zero Gravity recliner comes with a cervical neck pillow that drapes over the top of the backrest. When sitting in the recliner, slide this pillow up or down to Find Your Comfort™.
- **ADJUSTING THE LUMBAR SUPPORT:** Your True Zero Gravity recliner is designed to accept an accessory lumbar support. Where the backrest upholstery meets the seat, you'll notice that you can lift the back pad up off the backrest. When you do this you will see an accessory lumbar support which can be adjusted to sit higher or lower to support the small of your back. Just pull it off the Velcro strips and reattach in your desired location. The support may also be removed by users who prefer less support in the low back.

# OPERATION & USE

---

## Retrieving and Storing the Remote

- The remote is designed to attach magnetically to the outside of the right arm.
- A gentle pull is all it takes to detach the magnetic remote from the armrest.
- To stow the remote, gently set it on the arm, approximately three quarters of the way up from the floor.

## Recliner Angle Adjustment

The back recline and footrest adjustments on your True Zero Gravity recliner operate independently from each other, allowing you to infinitely customize the seating angles.

Find your perfect recline angle:

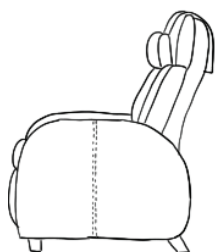
- **BACK RECLINE ADJUSTMENT:** To recline the angle of the recliner's back, press and hold the Backrest Recline button until the desired position is reached. To incline the angle of the recliner's back, press and hold the Backrest Upright button until the desired position is reached.
- **FOOTREST POSITION ADJUSTMENT:** To recline the angle of the recliner's leg, press and hold the Footrest Raise button until the desired position is reached. To incline the angle of the recliner's leg, press and hold the Footrest Lower button until the desired position is reached.

*NOTE: The backrest and footrest movements may be operated at the same time.*

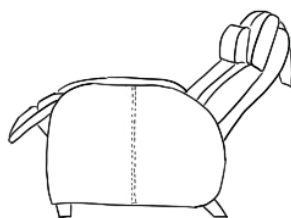
*NOTE: The reclining back and footrest will automatically stop when you reach the maximum recline/extension OR the full upright position.*

**PRESET POSITIONS:** The remote includes buttons for True Zero Gravity, TV / Read and Restore preset positions. To move the recliner into these positions, press and hold the respective button until the recliner stops moving, which is your indication that the desired position has been reached and the button can be released.

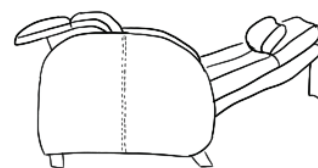
- **TRUE ZERO GRAVITY:** A reclined position that places your feet higher than your head, and your heart even with your body's core. This position is optimal for distributing and diluting the effects of gravity. Floating in absolute weightlessness is not exactly possible on earth, but your recliner faithfully reproduces the sublime sensation. Maximum support enhances rest while deep recline optimizes full-body circulation and increases lung capacity.
- **TV / READ:** A slight recline of the backrest paired with a partial raising of the footrest - this is the perfect position to get cozy with a book or a good movie.
- **RESTORE:** Pressing this button will raise the backrest and lower the footrest to their fully upright and restored positions.



*Upright*



*TV/Reading*



*True Zero Gravity*

## Memory Set Positions

Your True Zero Gravity recliner is designed to remember up to two of your favorite positions. After setting your favorite position, it only requires the press of a button to return to the position that you set and saved.

- **SETTING A MEMORY POSITION:** After positioning the backrest and footrest to the desired position, press and hold, at the same time and for 5 seconds, the respective Memory button you wish to program AND the Heat button, then release. Your memory position is now set.
- **RECLINING TO YOUR MEMORY POSITION:** To move the recliner into the position, press and hold the respective Memory button until the recliner stops moving, which is your indication that the desired position has been reached and the button can be released.

*NOTE: Memory positions will require reprogramming if there is a power failure.*

## Starting & Ending a Massage

Your True Zero Gravity power recliner is equipped with relaxing massage located in the back and leg areas.

### STARTING A MASSAGE:

- Activate the BACK ONLY message by pressing once. Press a second time activate the LEG ONLY message. Press a third time to activate both BACK & LEG message.
- When a massage is active, the light located directly above the Massage button will illuminate.
- The massage operates for 20 minutes, after which it will automatically turn off. If further massage is desired, the user may activate message again by following the steps above.

### ENDING A MASSAGE:

- If you are using BACK ONLY message, press the Massage button 3 times to end all message.
- If you are using LEG ONLY message, press the Massage button 2 times to end all message functions.
- If you are using both BACK & LEG message, press the Massage button 1 time to end all message functions.
- When Message has been stopped, the light located directly above the Massage button will no longer be illuminated.

## Adjusting Heat

- The recliner is equipped with heat in the low back and seat.
- **TO TURN ON HEAT:** press the Heat button once.
  - When the heat is actively on, the light located directly above the Heat button will illuminate.
  - The heat function is programmed to be active for 1 hour, after which it will automatically turn off. If further heat is desired, the user may activate again by following the steps above.
- **TO TURN OFF HEAT:** press the Heat button again. The light located directly above the Heat button will no longer illuminate.

# CLEANING, CARE & STORAGE

---

## Storage

- After every use unplug the power cord from the wall outlet.
- When not in use, the chair should always be stored in its full upright position (back rest fully inclined, foot rest to its lowest position).
- The chair should be stored in a place of low humidity.
- Do not store the chair in direct sunlight or in places of high temperature. This may cause the color of the upholstery to fade.



### TO AVOID INJURY

- Before cleaning, always unplug the power cord from the wall outlet.
- Never clean the chair or remote with wet hands.



### TO AVOID DAMAGE

- Before cleaning, always unplug the power cord from the wall outlet.
- Never clean the chair or remote with wet hands.



## Care & Maintenance

Thank you for purchasing this high-quality, hand-crafted Positive Posture recliner. Please read these upholstery care instructions carefully. It offers you useful tips on the care and maintenance of leather and synthetic leather coverings.

### Leather

Leather is a natural product with all that this implies. Variations in shade, grain, and natural markings add to its charm. Cushioned surfaces are designed to offer a soft and comfortable sit. During the first few weeks of use, it is normal and expected that natural creases and wrinkles will form. These are not defects but the natural characteristics of your new furniture.

- Avoid direct, prolonged exposure to sunlight. Intense and prolonged exposure will result in the deterioration and discoloration of all upholsteries, including those used on your recliner.
- Keep well away from sources of heat such as radiators and fireplaces. Exposure to external heat sources will result in deterioration of upholstery, supporting foam material, and batting.
- Sharp object (are any items with sharp edges) such as toys, jewelry, belt buckles, and heels may cause permanent damage and distortions. Pets should not be allowed to claw or climb on the upholstery.
- Vacuum with a soft brush attachment
- Dust often with a soft, clean cloth
- Promptly treat spots and stains using a soft absorbent cloth. Blot - do not rub stains.
- If a spill occurs blot spilled liquids with an absorbent cloth. Use lukewarm water and very mild soap flakes. Work up suds on a soft, clean, damp cloth, free from fluff, and wipe down the leather surface. Using another clean soft cloth, repeat the process WITHOUT soap. Gently wipe dry. Once completely dry, polish with a soft, clean, and dry cloth.
- Contact a professional leather cleaning service for stubborn stains
- Never use harsh cleaners, chemicals or saddle soap, as they will damage the finish. Pre-test, in an inconspicuous place on your recliner, any gentle cleaning solution you use. Check for discoloration or damage before using any cleaner.
- Keep pets off furniture. Pet body oils are difficult to remove and can have an impact on the appearance and longevity of your recliner's upholstery.
- Do not leave newspapers on any upholstered furniture.
- All leather has natural markings which distinguish genuine leather from man-made materials. These markings may be present on your furniture and is your assurance that you have a true leather. Each area of hide will absorb dye in varying amounts, and may be slightly darker or lighter than other areas.
- Over time, changes in color and signs of wear are natural and normal. Irregularities in the consistency and depth of the color and texture should not be considered a fault, but inherent in the natural beauty of the leather. Indeed, many appreciate the unique ability of leather to take on character and patina as it ages.

# WARRANTY & AFTER SALES SERVICE

---

## Limited Warranty with In-Home, On-Site Service

We're confident that your new True Zero Gravity recliner will provide you with many years of relation and trouble-free performance.

Your Positive Posture True Zero Gravity recliner comes with a 3-Year Limited Warranty, and (for an additional fee) a 5-Year Extended Warranty is also available.

Our limited warranties includes on-site service covering all parts and labor in most locations in the United States and Canada. Some restrictions apply. See [www.PositivePosture.com](http://www.PositivePosture.com) for full warranty details. We recommend that you print the limited warranty information at the time of purchase and keep it filed with your Owner's Manual.

## Service & Repairs

Please contact Positive Posture for assistance. For fastest service, please have the following information ready:

- Your name, email, address and telephone number
- Model Number (see the specification field on the front cover of this Owner's Manual)
- Serial Number (see the sticker located on the back/underside of the chair where you will see a white sticker adhered to a horizontal bar)
- Copy of original receipt and purchase date
- Malfunction or issue with as much detail as possible
- Be near your recliner in case our service experts need to do some trouble shooting with you
- If you are outside of your warranty period, or if the malfunction is not covered under our warranty, our service team will be able to provide you with the cost of parts and a technician visit

*NOTE: Except for upholstery coverings, we maintain an inventory of service parts necessary for recliner operation for 5 years after discontinuing a model. In some cases, if your model was discontinued by us more than 5 years ago, we still may be able to provide parts.*

## SPECIFICATIONS

Model Name	Cafe+
Model Number	F04290A
Power Supply	AC120-240V ~ 50/60Hz
Power Consumption	58W
Chair Dimensions	Upright: 36.6" (930 mm) L x 32" (810 mm) W x 48.25" (1225 mm) H Reclined: 63.4" (1610 mm) L x 32" (810 mm) W
Seat Width	21.25" (54 cm)
Seat Depth	22" (56 cm)
Chair Weight	117.5 lbs (53.3 kg)
Outer Cover	Top Grain Leather
Shipping Dimensions	39.5" (100 cm) x 33.5" W (85 cm) x 30" (76 cm)
Shipping Weight	134 lbs (60.8 kg)
Recommended User Weight	285 lbs (129.25 kg) (maximum)

Your Zero Gravity recliner was meticulously designed to conform to your specific comfort and relaxation needs. If you have questions about the operation of your chair, contact information for a Positive Posture chair expert can be found at [www.PositivePosture.com](http://www.PositivePosture.com).

# CAFÉ+

True Zero Gravity Massaging Recliner with Heat



# POSITIVE POSTURE®

## **Positive Posture—Part of the FFL Brands Family**

Since 2006, FFL Brands (“FFL”) has been focused on its mission to Make the World a More Comfortable Place by offering furniture that enriches the health and wellness of people everywhere.

The FFL organization has changed lives for the better, bringing innovation and imagination to the world of recliners, massage chairs, and other comfortable furniture concepts. All products we offer have been created with maximum comfort, deep relaxation, and long-lasting performance in mind.

Imagination...Commitment...Service...We strive to earn trust every day as we work to meet the comfort and wellness needs of consumers everywhere. FFL calls on health experts, engineers, renowned furniture designers, and its wealth of industry experience to provide products that help people lead happier, healthier, and more productive lives.

FFLBrands.com

© 2020 FFL Brands. All rights reserved.