

LIMITED LIFETIME WARRANTY

Your Dynarex Product is warrantied to be free of defects in materials and workmanship for the lifetime of the product for the original purchaser. This item was built to exacting standards and carefully inspected prior to shipment. This Limited Lifetime Warranty is an expression of our confidence in the materials and workmanship of our products and our assurance to the consumer of years of dependable service.

The Warranty shall not apply under the following conditions:

- Problems arising from normal wear
- Problems arising from failure to adhere to the product instructions
- Problems arising from misuse, negligence, accident or improper operation, maintenance or storage
- Problems arising from modifications or unauthorized repairs, parts or attachments
- Products where the serial number has been removed or defaced
- Problems with non-durable components, such as rubber accessories, casters, and grips, which are subject to normal wear and need periodic replacement

Dynarex shall not be liable for any consequential or incidental damages whatsoever. Dynarex shall repair or replace defective products at its option. The foregoing warranty is exclusive and in lieu of other express warranties, if any, including the implied warranties of merchantability and fitness of a particular purpose. The remedy for any violation of the implied warranty shall be limited to repair or replacement of the defective product pursuant to the terms contained herein.

If you have a question about your Dynarex device or this warranty, please contact an authorized Dynarex dealer.



SYMBOL GLOSSARY

For an explanation of symbols used in Dynarex packaging, visit dynarex.com/symbols.php

WARNING:
Cancer and Reproductive Harm
www.P65Warnings.ca.gov

R221209

Reorder No. 10379

Bari+Max
Support Where You Need It

Bariatric HD Mobile Shower Chair 26"

Weight capacity: 1000 lb.

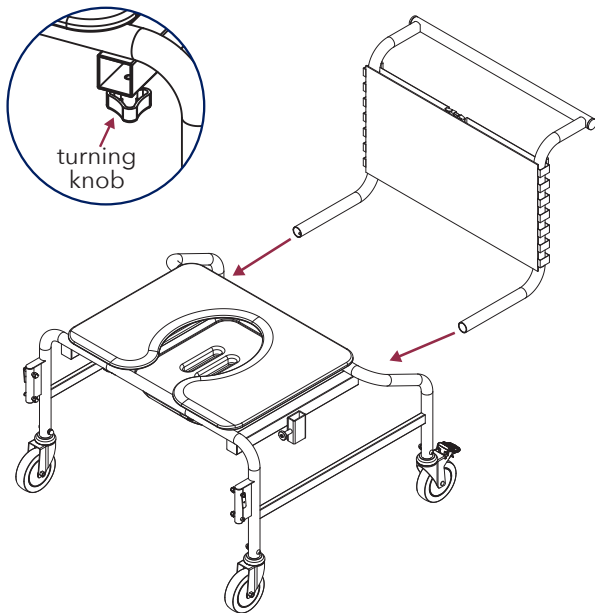


⚠ WARNINGS

- **Do not use the Shower Chair without carefully reading and fully understanding this User's Manual.** If you cannot understand these instructions, contact a healthcare dealer or technical professional before attempting to install. Failure to do so may cause personal injury or damage to the Shower Chair.
- Ensure that all the components of the Shower Chair are secure and locked in place before use.
- Users with limited physical strength should be supervised or assisted while using the Shower Chair.

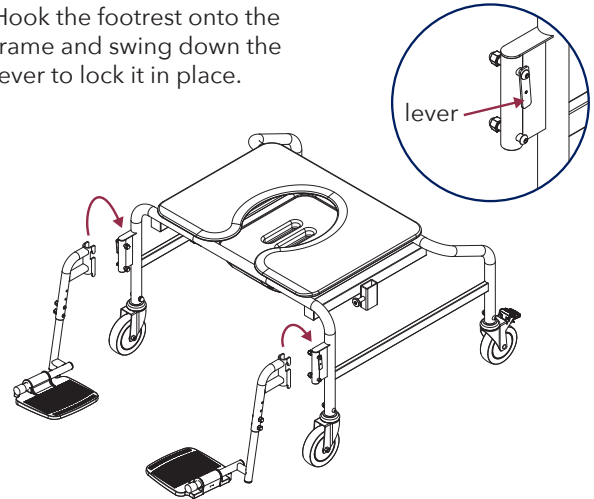
BACKREST ASSEMBLY

Insert the backrest into the back of the frame and secure it with the two turning knobs on the frame.



FOOTREST ASSEMBLY

Hook the footrest onto the frame and swing down the lever to lock it in place.



ARMREST ASSEMBLY

Pull the pull knob to insert the armrest into the frame. The curve on the armrest faces the back of chair.

