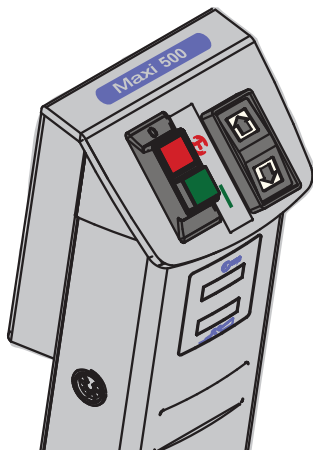


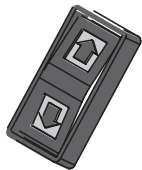
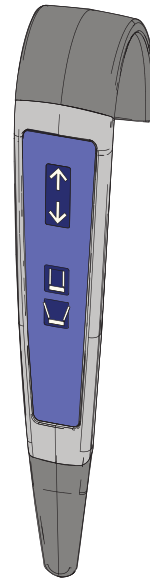
Maxi 500



Control box

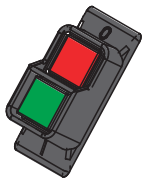


Hand control



Up button - press to raise the patient

Down button - press to lower the patient



Emergency stop button - press to shut off power

Power button - press to reset emergency stop



Up button - press to raise the patient



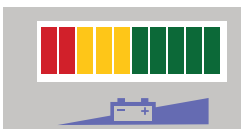
Down button - press to lower the patient



Close legs



Open legs



Battery Charge Indicator -

The battery charge indicator is a bar graph display, located on the battery pack holder. An audible warning device, will beep when the battery level reaches the critical range.

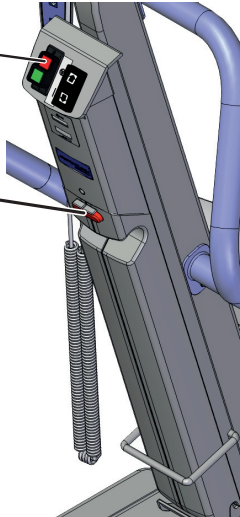
Green - Normal operating

Yellow - Low battery

Red - Critical

Emergency stop

1

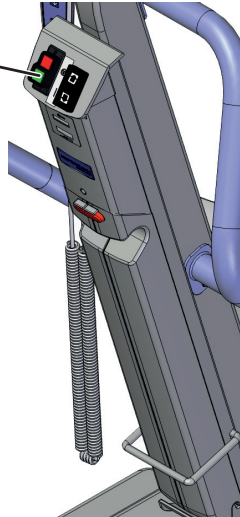


Emergency stop button

Battery release button

To shut off power press the red emergency stop button or press the red battery release button while pulling the battery backward to remove it.

2

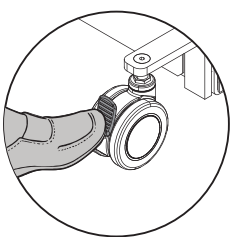


Power button


To reset the emergency stop function press the green power button or replace the battery.

Brakes

1

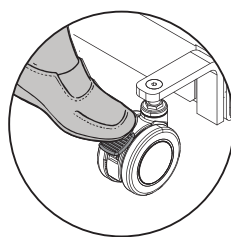


Locked




To apply brakes, step on the back portion of pad.

2

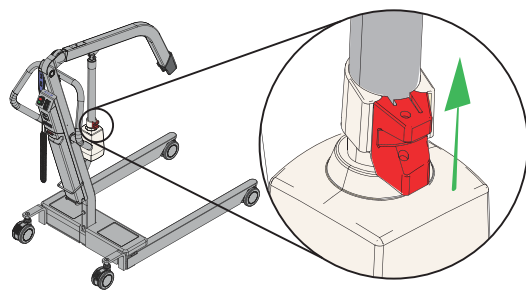


Unlocked



To release brakes, push the top portion of the pad forward.

Emergency lowering



In the event of hand control or control box failure, locate the red handle above the actuator.

Gradually pull the handle up and hold until the actuator is lowered to desired level.

A load must be applied to the boom, the force exerted on the handle and the patient weight affects the speed of descent.

The handle is spring loaded and will return to normal position and stop the lowering process when released.