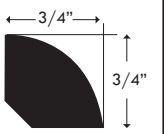
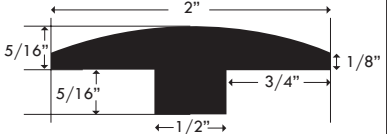
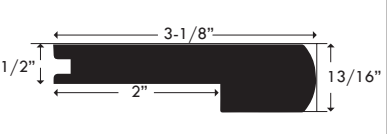
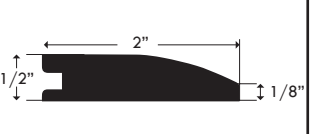


Product Features:

Size:	1/2" x 5" x Random Length (17" - 47")			
Wood Grade:	Natural			
Wear Layer Thickness:	2 mm			
Texture/Edge:	Varies by item: Smooth or Handscraped, Micro-beveled edges			
Coating/Gloss Level:	UV urethane w/ Aluminum Oxide, Satin			
Species Available/Janka Hardness:	Acacia - 2250			
Colors:	<u>Smooth</u> Acacia Almond (REW 125SPA-2) Acacia Espresso (REW 125SPE-2)		<u>Handscraped</u> Acacia Sesame (REW 125SPHSS-2)	
Moldings:	 <p>Quarter Round</p>	 <p>T-Mold</p>	 <p>Stair Nose</p>	 <p>Reducer</p>

Technical Specifications:

Packaging:	33.02 SF/CT 44 CT/Pallet
Warranty:	Lifetime Structural Warranty 25 Year Finish Residential Warranty 3 Year Finish Commercial Warranty
Installation:	Glue down, float or staple. Please refer to Installation Instructions and Care & Maintenance Guide for complete instructions.
Maintenance:	Bona Hardwood Floor Cleaners, please refer to Reward Care & Maintenance Guide for complete instructions.
Compliance:	All Reward Hardwood products are manufactured in compliance with the <u>Food, Conservation, and Energy Act of 2008</u> (Lacey Act amendment), and are in full compliance with California's Airborne Toxic Control Measure (CARB).
MSDS:	Not required for UV cured finish.
Formaldehyde Emissions (per ASTM D6007)*:	0.038ppm

*All test results come from an independent, CARB-accredited U.S. testing laboratory and are verified/updated periodically.

Visit us at rewardflooring.com

where luxury and value meet