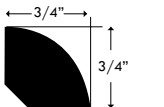
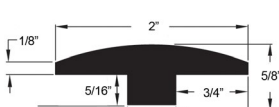

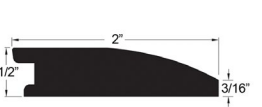


Product Features:

Size:	1/2" x 7-1/2" x Random Length (23" - 82")		
Wood Grade:	Character		
Wear Layer Thickness:	2 mm		
Texture/Edge:	Subtle hand scrape, micro-beveled edges		
Coating/Gloss Level:	UV Urethane w/ Aluminum Oxide, Matte		
Species Available/ Janka Hardness:	Maple - 1450		
Colors:	Maple Buckeye (REW1275RHMBY) Maple Cold Spring (REW1275RHMCS) Maple Lookout (REW1275RHMLK)	Maple Newcomb (REW1275RHMNC) Maple Hawkins (REW1275RHMHN) Maple Jennings (REW1275RHMJG)	
Moldings:	 <p>Quarter Round</p>	 <p>T-Mold</p>	 <p>Stair Nose</p>
			 <p>Reducer</p>

Technical Specifications:

Packaging:	25.77 SF/CT 55 CT/Pallet
Warranty:	Lifetime Structural Warranty 25 Year Finish Residential Warranty 3 Year Finish Commercial Warranty
Installation:	Glue down, nail down, or float. Please refer to Installation Instructions and Care & Maintenance Guide for complete instructions.
Maintenance:	Bona Hardwood Floor Cleaners, please refer to Reward Care & Maintenance Guide for complete instructions.
Compliance:	<p>All Reward Hardwood products are manufactured in compliance with the <u>Food, Conservation, and Energy Act of 2008</u> (Lacey Act amendment), and are in full compliance with California's Airborne Toxic Control Measure (CARB).</p>  <p>FloorScore® Certified. FloorScore® is a certification program established by the Resilient Floor Covering Institute (RFCI) for hard surface flooring and flooring adhesive products that meet strict indoor air quality (IAQ) requirements. Products bearing the FloorScore label meet the indoor air quality emissions criteria of LEED, CHPS, the Green Guide for Health Care, and are recognized by a long list of healthy building programs.</p> 
Formaldehyde Emissions (per ASTM D6007)*:	<0.02ppm

*All test results come from an independent, CARB-accredited U.S. testing laboratory and are verified/updated periodically.

Visit us at rewardflooring.com