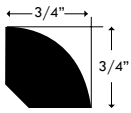
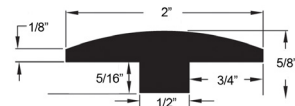

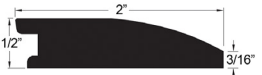



Product Features:

Size:	1/2" x 5" x Random Length (16" - 75")			
Wood Grade:	Natural			
Wear Layer Thickness:	2 mm			
Texture/Edge:	Light hand-scrape, micro-beveled edges			
Treatment:	Natural/Not Smoked or Carbonized			
Coating/Gloss Level:	UV urethane w/ Aluminum Oxide, Ultra-matte			
Species Available/ Janka Hardness:	Birch - 1260			
Colors:	Birch Sandstone (REW125BCBSN) Birch Costero (REW125BCBCS) Birch Barrel (REW125BCBBL)	Birch Deep Brown (REW125BCBDB) Birch Fall Dusk (REW125BCBFD) Birch Ashland (REW125BCBAL)		
Moldings:	 Quarter Round	 T-Mold	 Stair Nose	 Reducer

Technical Specifications:

Packaging:	31.17 SF/CT 48 CT/Pallet
Warranty:	Lifetime Structural Warranty 25 Year Finish Residential Warranty 3 Year Finish Commercial Warranty
Installation:	Glue down, nail down, or float. Approved for use over radiant heat systems - review Installation Instructions thoroughly for system requirements before finalizing flooring selection.
Maintenance:	Bona Hardwood Floor Cleaners, please refer to Reward Care & Maintenance Guide for complete instructions.
Compliance:	<p>All Reward Hardwood products are manufactured in compliance with the <u>Food, Conservation, and Energy Act of 2008</u> (Lacey Act amendment), and are in full compliance with California's Airborne Toxic Control Measure (CARB).</p> <div style="display: flex; align-items: center;">  <div style="margin-left: 10px;"> <p>FloorScore® Certified. FloorScore® is a certification program established by the Resilient Floor Covering Institute (RFCI) for hard surface flooring and flooring adhesive products that meet strict indoor air quality (IAQ) requirements. Products bearing the FloorScore label meet the indoor air quality emissions criteria of LEED, CHPS, the Green Guide for Health Care, and are recognized by a long list of healthy building programs.</p> <p><small>CERTIFIED BY SCS Global Services</small></p> </div> </div>