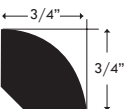
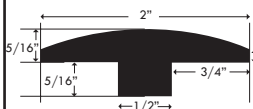
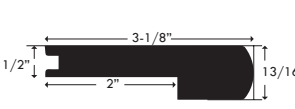
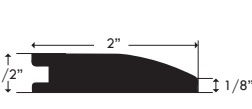




<b>Product Features:</b>	
<b>Size:</b>	1/2" x 5" x Random Length (18" - 48")
<b>Wood Grade:</b>	Natural
<b>Wear Layer Thickness:</b>	2 mm
<b>Texture/Edge:</b>	Hand-scraped, Micro-beveled edges
<b>Coating/Gloss Level:</b>	UV urethane w/ Aluminum Oxide, Satin
<b>Species Available/ Janka Hardness:</b>	Birch - 1260
<b>Colors:</b>	Copper Sand (REW 125BS)      Tide Brown (REW 125BTB) Grand Dusk (REW 125BGD)      Shoreline Beach (REW 125BSH)
<b>Moldings:</b>	   

<b>Technical Specifications:</b>	
<b>Packaging:</b>	28.70 SF/CT 52 CT/Pallet
<b>Warranty:</b>	Lifetime Structural Warranty • 25 Year Finish Residential Warranty 3 Year Finish Commercial Warranty
<b>Installation:</b>	Glue down, float or staple. Please refer to Installation Instructions and Care & Maintenance Guide for complete instructions.
<b>Maintenance:</b>	Bona Hardwood Floor Cleaners, please refer to Reward Care & Maintenance Guide for complete instructions.
<b>Compliance:</b>	<p>All Reward Hardwood products are manufactured in compliance with the <u>Food, Conservation, and Energy Act of 2008</u> (Lacey Act amendment), and are in full compliance with California's Airborne Toxic Control Measure (CARB).</p>  <p>FloorScore® Certified. FloorScore® is a certification program established by the Resilient Floor Covering Institute (RFCI) for hard surface flooring and flooring adhesive products that meet strict indoor air quality (IAQ) requirements. Products bearing the FloorScore label meet the indoor air quality emissions criteria of LEED, CHPS, the Green Guide for Health Care, and are recognized by a long list of healthy building programs.</p> 
<b>MSDS:</b>	Not required for UV cured finish.
<b>Formaldehyde Emissions (per ASTM D6007)*:</b>	0.038ppm

\*All test results come from an independent, CARB-accredited U.S. testing laboratory and are verified/updated periodically.