

# AVATARA

DESIGN FLOOR 3.0

”  
TIME FOR THE  
NEXT GENERATION



**ter Hürne**  
unique as life itself



K03 | Oak Eris mist grey\*



## TER HÜRNE. A DECISION FOR QUALITY.

As a German family-owned business from the Münster region, for over 60 years now we have dedicated ourselves to developing products that are sustainable and conducive to healthy living, while setting the highest standards in terms of function and aesthetics.

Taking nature as our example, we use our passion, expertise and flair for good design to create floors that bring together the latest designs and sophisticated technology combined with maximum resource efficiency for our shared environment.

The Avatara Design Floor 3.0 combines outstanding design and healthy living in one floor which is unique in the truest sense of the word and a clear statement of individuality.

DISCOVER  
AVATARA DESIGN FLOOR 3.0

THIS IS AVATARA

Superior design	8 - 13
Healthy living	14 - 17
Intelligent technology	18 - 25

THESE ARE  
OUR PRODUCTS

Colour counts	26 - 27
Pure Edition	28 - 33
Straight Edition	34 - 39
Stone Edition	40 - 45

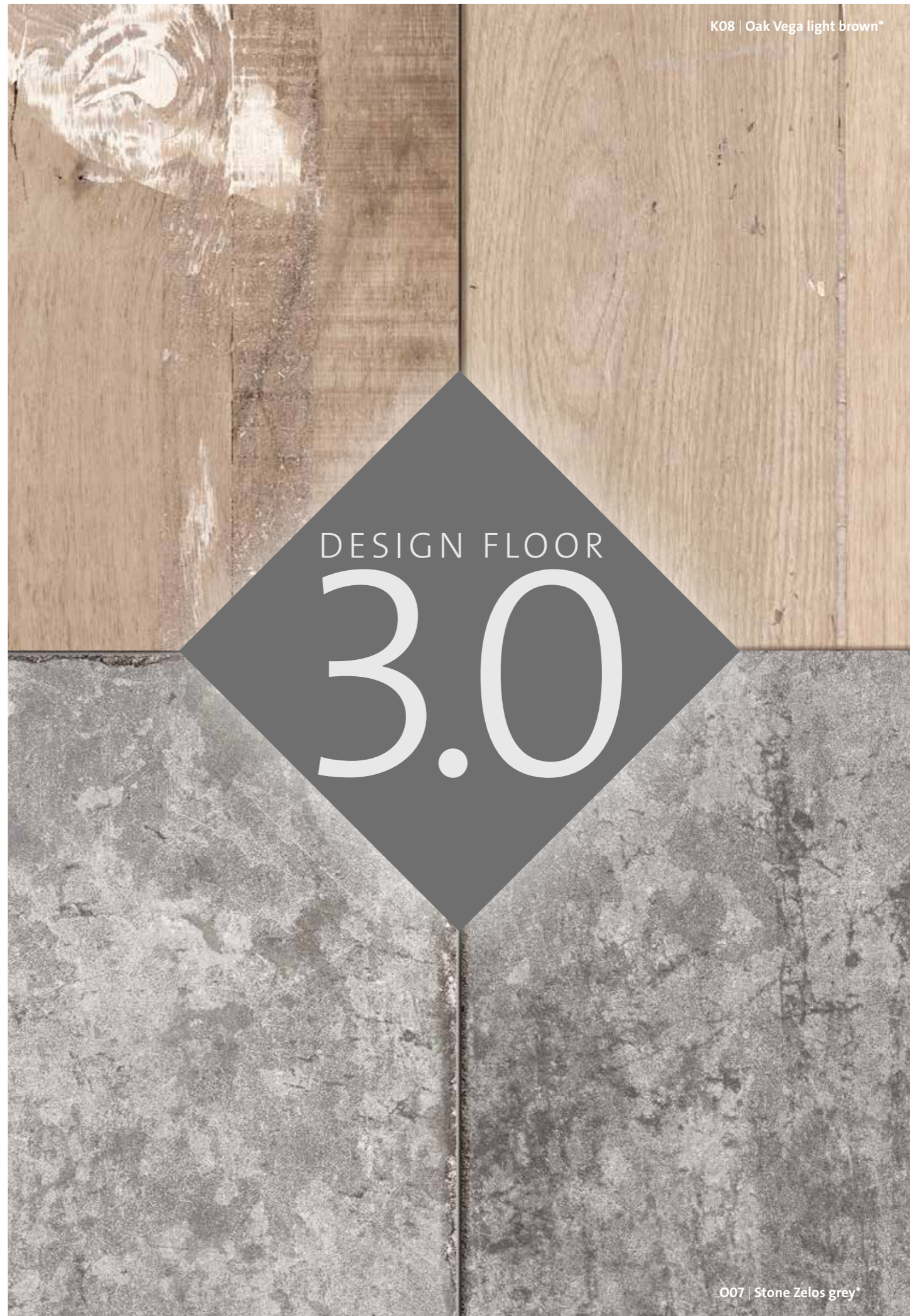
WHAT ELSE  
YOU SHOULD KNOW

Product construction	46 - 47
Accessories	48 - 49
Room studio	50 - 51
Decor overview	52 - 53



SUPERIOR DESIGN  
MEETS HEALTHY LIVING

SINCE 1959  
MADE IN GERMANY



DESIGN FLOOR

3.0

K08 | Oak Vega light brown\*

007 | Stone Zelos grey\*

A close-up portrait of a woman with light green eyes, freckles, and red hair. The image is partially obscured by a dark blue geometric shape on the left side. The text 'SUPERIOR DESIGN' is overlaid on this blue shape.

# SUPERIOR DESIGN

EACH PIXEL  
IS UNIQUE.

# BRILLIANT SHARP DETAILS

DESIGNED IN  
HIGH DEFINITION



Thanks to superior  
HD printing technology

## OUTSTANDING IMAGERY

The decor papers of conventional design floors are produced by rotary printing – comparable with the printing of a newspaper page that regularly repeats itself. This is why the same noticeable features of the design appear in the floor again and again, making it look artificial.

We print digitally which creates  
unique design possibilities

AUTHENTICITY  
WITHOUT REPETITION

MORE  
[terhuerne.de/en/avatara](http://terhuerne.de/en/avatara)



# PALPABLY AUTHENTIC

## MULTISENSE – AN EXPERIENCE FOR THE SENSES

The Avatara Design Floor 3.0 gets its perfect finish from a special polymer layer. Unlike laminate flooring, it offers a warm and appealing surface that is pleasant to the touch.

## ON A PAR WITH NATURE

Selected decors have a synchronous surface structure which is applied to the digital print by a newly developed technology. The latest laser technology is used for printing the decor; raised and recessed patterns are printed synchronously and with micrometer precision into MultiSense polymer layer while it is still fluid. These are then cured with UV light in the blink of an eye.

## OUTSTANDING HAPTICS



When the hand  
feels what the eye sees.

# HEALTHY LIVING

IF PRIORITIES  
CHANGE.





# OUTSTANDING HEALTHY LIVING

## YOU CAN BREATHE FREELY WITH US

Clean, uncontaminated room air is more than ever vital for health, well-being and a high quality of life.

As manufacturers of products for interior design we have a responsibility for healthy living which we fulfil conscientiously and transparently.

CERTIFIED



[www.blauer-engel.de/uz120](http://www.blauer-engel.de/uz120)

[www.blauer-engel.de/uz176](http://www.blauer-engel.de/uz176)

MORE INFORMATION

[www.blauer-engel.de](http://www.blauer-engel.de)



AND CERTIFIED  
AGAIN



MORE INFORMATION

[www.eco-institut.de](http://www.eco-institut.de)



BETTER ROOM AIR



OUR  
PROMISE



TALCUSAN®



# INTELLIGENT TECHNOLOGY

LIVE THE  
DIFFERENCE.

THOUGHT OF  
EVERYTHING

GERMAN  
ENGINEERING ART



For intelligent and  
sustainably produced  
quality floors.

SMART SURFACE  
PROTECTION



ROBUST



QUIET



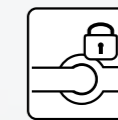
EASY TO  
CARE FOR

In addition to its warm and haptically appealing surface, the MultiSense polymer coating ensures that the floor is robust and easy to maintain, while at the same time being soft and quiet to walk on.

SMART INSTALLATION  
TECHNOLOGY



LOCK IT EASY



CLICK IT EASY

Install like a pro: fast, safe, simple.

MORE INFORMATION

[terhuene.de/en/  
floor/clickiteasy-gb/](https://terhuene.de/en/floor/clickiteasy-gb/)



SMART IMPACT  
SOUND INSULATION



IMPACT SOUND  
INSULATION

Reduced footfall noise – in your  
room and the room below



READY FOR USE  
EVERYWHERE

## TALCUSAN®

For our Avatara PerForm floor we use the new intelligent material Talcusan®, which mainly consists of silicates, chalk and the addition of the ecologically harmless material polypropylene. Consequently, the entire range is free of PVC, chlorine, plasticisers and other solvents.

### MORE INFORMATION

[terhuerne.de/avatara](http://terhuerne.de/avatara)



### WATERPROOF



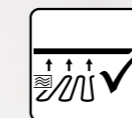
Thanks to Talcusan®, all Avatara PerForm Design Floors are waterproof and are suitable for use in wet rooms.

### OUR GUARANTEE



All Avatara Design Floors are guaranteed for 20 years for domestic use and 10 years for commercial use.

### PLEASANTLY WARM



UNDERFLOOR  
HEATING SYSTEM

Avatara Design Floors by ter Hürne are suitable for use on warm water underfloor heating systems.  
The intelligent performer on the Talcusan® baseboard.

# ONE FLOOR TWO FORMATS

## **PERFORM**

The intelligent performer on the Talcusan® baseboard. Available in all classic plank and tile formats.

FIND OUT MORE  
ON PAGE 46

tile

**PERFORM**

387 x 776 x 6 mm

plank

**PERFORM**

203 x 1290 x 6 mm

long plank

**PERFORM**

246 x 1800 x 6 mm

long plank

*Comfort*

238 x 2030 x 9 mm

plank

*Comfort*

194 x 1286 x 9 mm

## *Comfort*

The comfortable floor on an HDF baseboard with cork impact sound insulation. Available in all classic plank formats.

FIND OUT MORE  
ON PAGE 47

# COLOUR IS THE DECISIVE FACTOR



## CLEAR AND QUICK ORIENTATION

Colour has a particularly emotional effect on living and interiors. Each of our colour collections therefore represents a particular colour space, that will lead you through our range.

## PURE EDITION

BRIGHT AND FRESH

p. 28 - 33

## STRAIGHT EDITION

DARK AND POWERFUL

p. 34 - 39

## STONE EDITION

STONE DECORS

p. 40 - 45



BRIGHT  
AND FRESH

# PURE EDITION

K09 | Oak Hera natural light\*

\*Wood/stone reproduction. Colour reproductions are not binding.



K01

**Oak Apera silver grey\* | plank**  
Comfort | Art no.: 1101170101 | 1286 x 194 x 9 mm  
PerForm | Art no.: 1101250101 | 1290 x 203 x 6 mm

K02

**Oak Bellatrix pastel\* | plank**  
Comfort | Art no.: 1101170110 | 1286 x 194 x 9 mm  
PerForm | Art no.: 1101250110 | 1290 x 203 x 6 mm

K03

**Oak Eris mist grey\* | long plank**  
Comfort | Art no.: 1101170205 | 2030 x 238 x 9 mm  
PerForm | Art no.: 1101250205 | 1800 x 246 x 6 mm



K04

**Oak Brava soft brown\* | plank**  
Comfort | Art no.: 1101170108 | 1286 x 194 x 9 mm  
PerForm | Art no.: 1101250108 | 1290 x 203 x 6 mm





K05

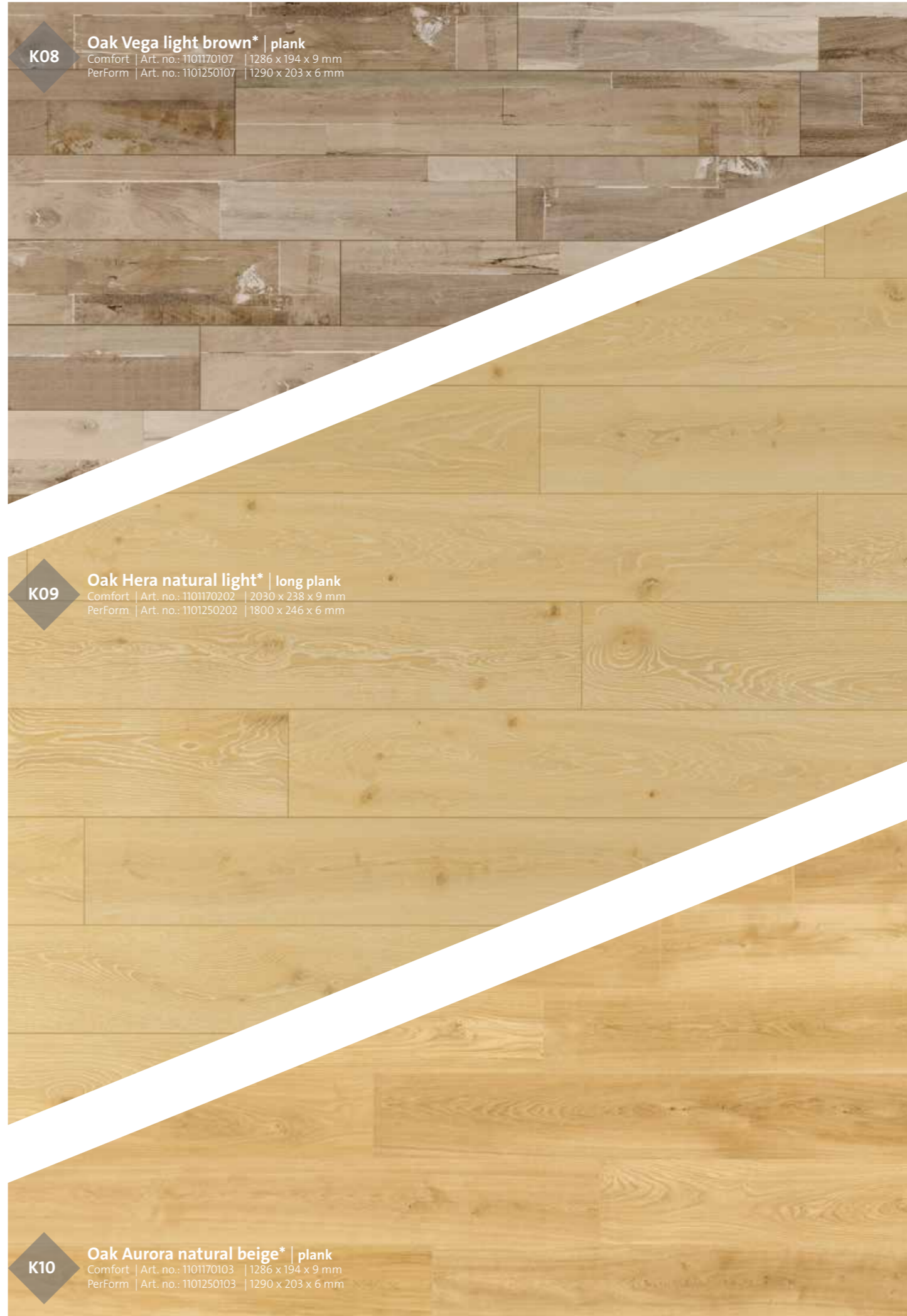
**Oak Nova grey beige\* | plank**  
Comfort | Art. no.: 1101170113 | 1286 x 194 x 9 mm  
PerForm | Art. no.: 1101250113 | 1290 x 203 x 6 mm

K06

**Pine Xara pastel beige\* | plank**  
Comfort | Art. no.: 1101170112 | 1286 x 194 x 9 mm  
PerForm | Art. no.: 1101250112 | 1290 x 203 x 6 mm

K07

**Pine Elioth grey\* | long plank**  
Comfort | Art. no.: 1101170201 | 2030 x 238 x 9 mm  
PerForm | Art. no.: 1101250201 | 1800 x 246 x 6 mm



K08

**Oak Vega light brown\* | plank**  
Comfort | Art. no.: 1101170107 | 1286 x 194 x 9 mm  
PerForm | Art. no.: 1101250107 | 1290 x 203 x 6 mm

K09

**Oak Hera natural light\* | long plank**  
Comfort | Art. no.: 1101170202 | 2030 x 238 x 9 mm  
PerForm | Art. no.: 1101250202 | 1800 x 246 x 6 mm

K10

**Oak Aurora natural beige\* | plank**  
Comfort | Art. no.: 1101170103 | 1286 x 194 x 9 mm  
PerForm | Art. no.: 1101250103 | 1290 x 203 x 6 mm

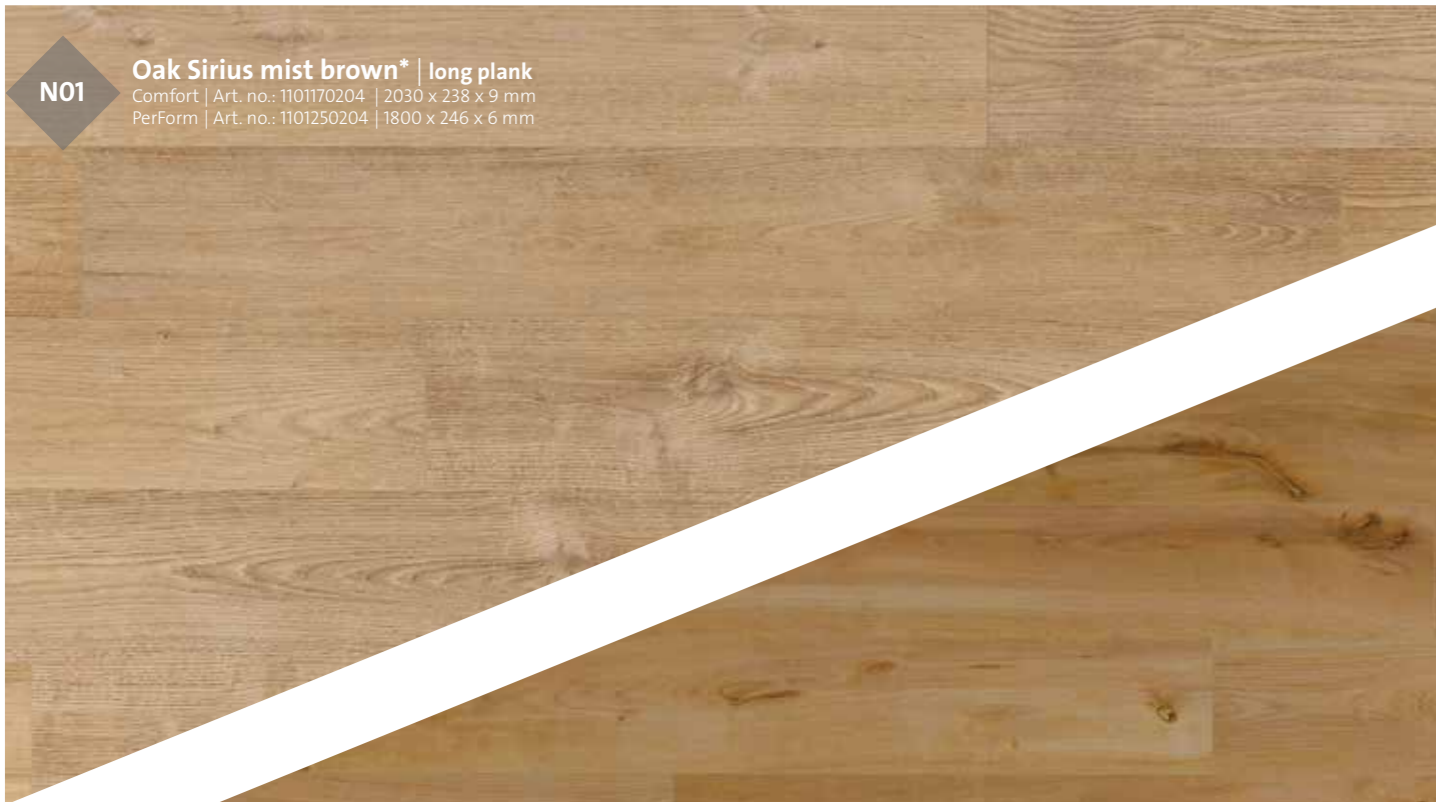


DARK  
AND POWERFUL

# STRAIGHT EDITION

N10 | Oak Antares black grey\*

\*Wood/stone reproduction. Colour reproductions are not binding.



N01

**Oak Sirius mist brown\* | long plank**

Comfort | Art. no.: 1101170204 | 2030 x 238 x 9 mm  
PerForm | Art. no.: 1101250204 | 1800 x 246 x 6 mm



N02

**Oak Banta light brown\* | plank**

Comfort | Art. no.: 1101170109 | 1286 x 194 x 9 mm  
PerForm | Art. no.: 1101250109 | 1290 x 203 x 6 mm



N03

**Oak Demeter wild beige\* | plank**

Comfort | Art. no.: 1101170102 | 1286 x 194 x 9 mm  
PerForm | Art. no.: 1101250102 | 1290 x 203 x 6 mm



N04

**Oak Juno gold brown\* | long plank**

Comfort | Art. no.: 1101170109 | 2030 x 238 x 9 mm  
PerForm | Art. no.: 1101250209 | 1800 x 246 x 6 mm



N05

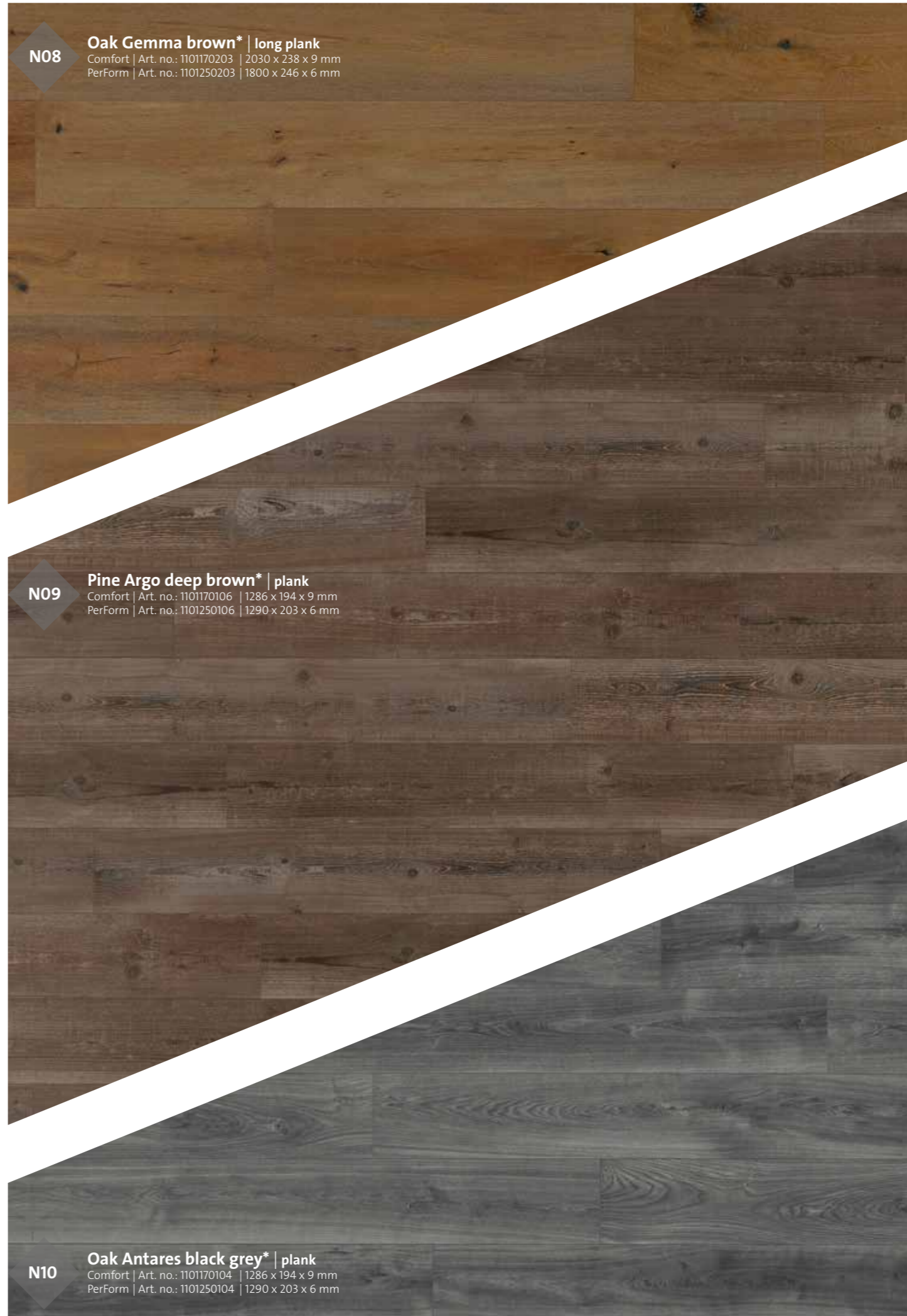
**Elm Calleido red brown\*** | long plank  
Comfort | Art. no.: 1101170206 | 2030 x 238 x 9 mm  
PerForm | Art. no.: 1101250206 | 1800 x 246 x 6 mm

N06

**Teak Maia clay brown\*** | long plank  
Comfort | Art. no.: 1101170208 | 2030 x 238 x 9 mm  
PerForm | Art. no.: 1101250208 | 1800 x 246 x 6 mm

N07

**Oak Luna sepia brown\*** | long plank  
Comfort | Art. no.: 1101170207 | 2030 x 238 x 9 mm  
PerForm | Art. no.: 1101250207 | 1800 x 246 x 6 mm



N08

**Oak Gemma brown\*** | long plank  
Comfort | Art. no.: 1101170203 | 2030 x 238 x 9 mm  
PerForm | Art. no.: 1101250203 | 1800 x 246 x 6 mm

N09

**Pine Argo deep brown\*** | plank  
Comfort | Art. no.: 1101170106 | 1286 x 194 x 9 mm  
PerForm | Art. no.: 1101250106 | 1290 x 203 x 6 mm

N10

**Oak Antares black grey\*** | plank  
Comfort | Art. no.: 1101170104 | 1286 x 194 x 9 mm  
PerForm | Art. no.: 1101250104 | 1290 x 203 x 6 mm



”  
STONE DECORS

# STONE EDITION

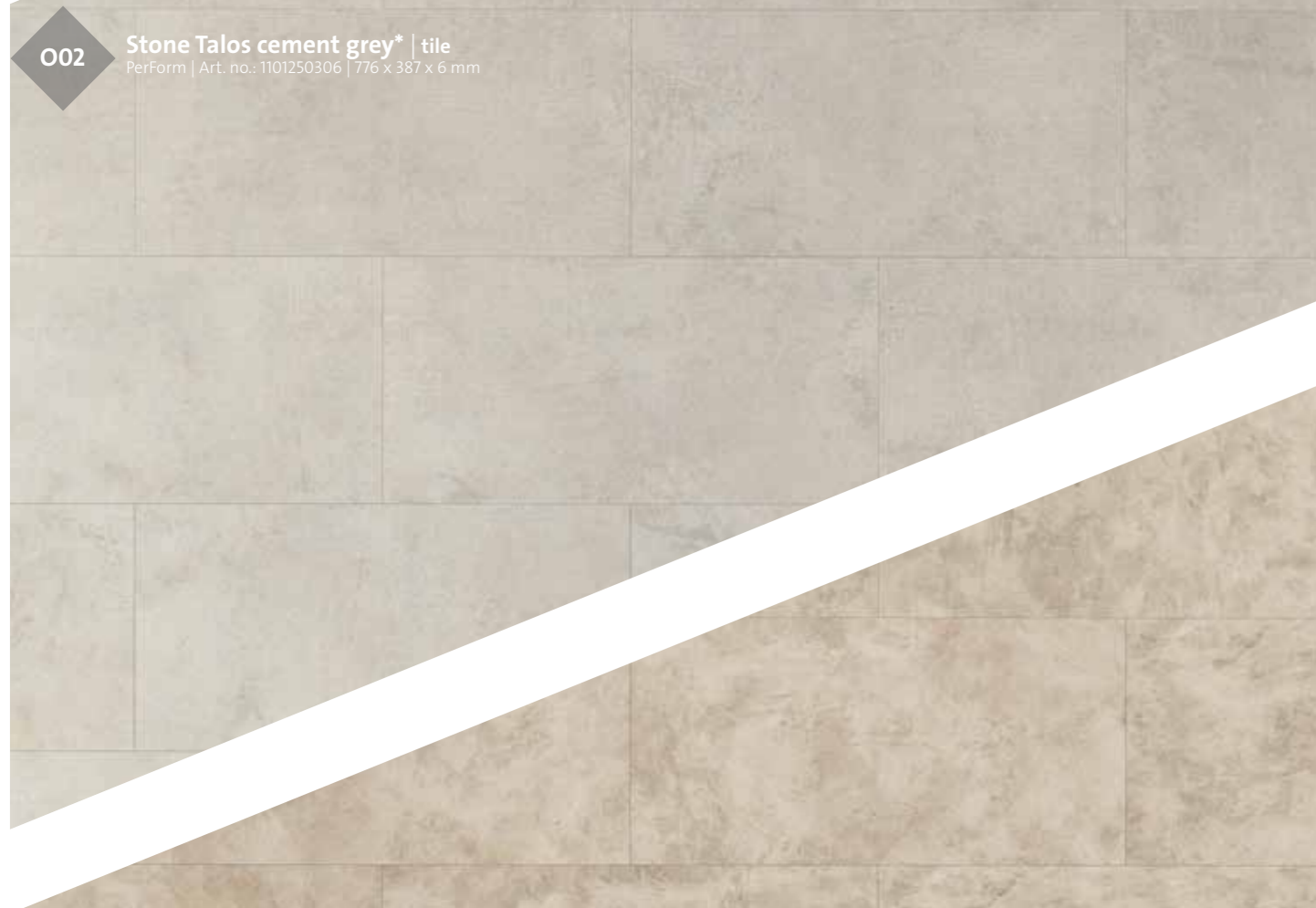
O05 | Stone Terra sand\*

\*Wood/stone reproduction. Colour reproductions are not binding.



001

Stone Pandora old white\* | tile  
PerForm | Art. no.: 1101250305 | 776 x 387 x 6 mm



002

Stone Talos cement grey\* | tile  
PerForm | Art. no.: 1101250306 | 776 x 387 x 6 mm



003

Stone Asterion grey beige\* | tile  
PerForm | Art. no.: 1101250309 | 776 x 387 x 6 mm



004

Stone Mitra sand grey\* | tile  
PerForm | Art. no.: 1101250301 | 776 x 387 x 6 mm



005

Stone Terra sand\* | tile  
PerForm | Art. no.: 1101250310 | 776 x 387 x 6 mm

006

Stone Alioth sand beige\* | tile  
PerForm | Art. no.: 1101250311 | 776 x 387 x 6 mm

007

Stone Zelos grey\* | tile  
PerForm | Art. no.: 1101250308 | 776 x 387 x 6 mm



008

Stone Devox nature grey\* | tile  
PerForm | Art. no.: 1101250303 | 776 x 387 x 6 mm

009

Stone Minos slate grey\* | tile  
PerForm | Art. no.: 1101250304 | 776 x 387 x 6 mm

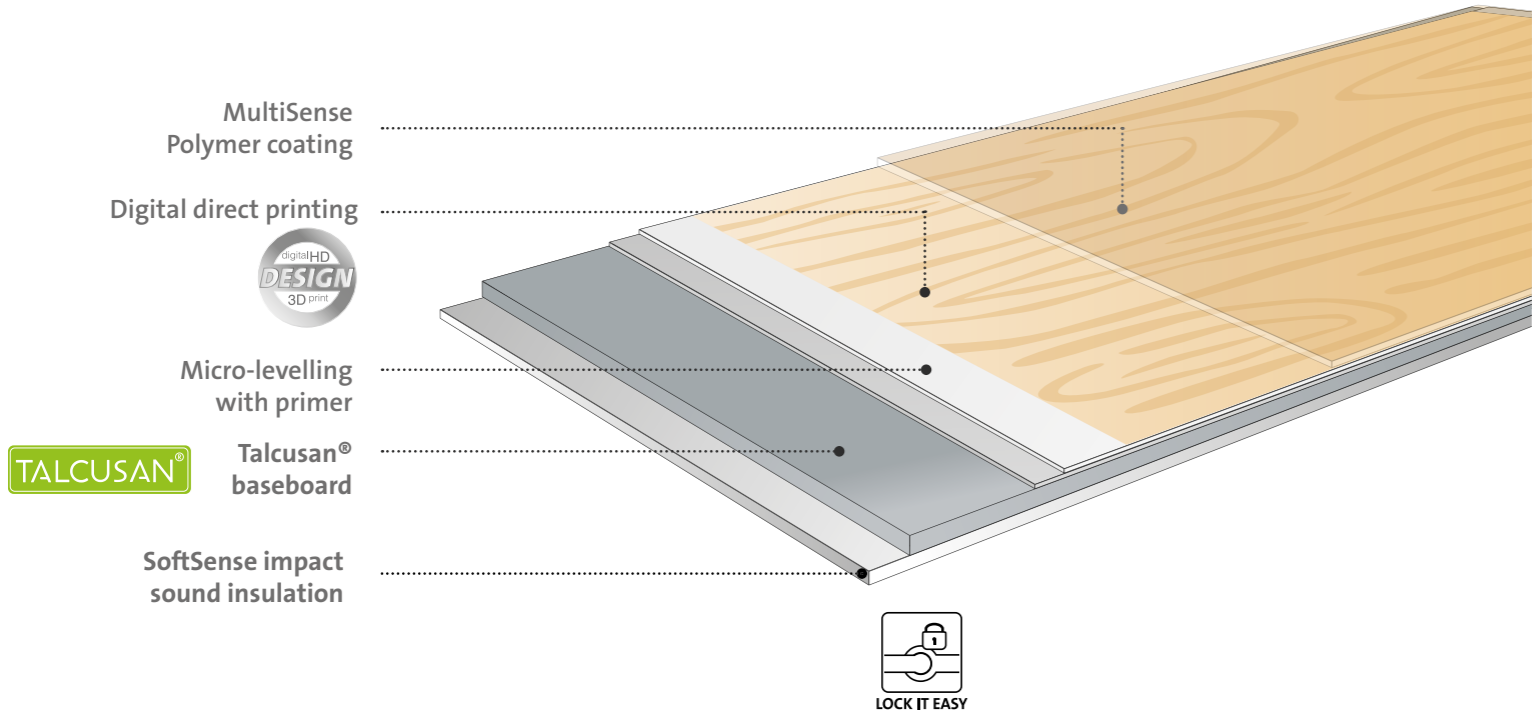
010

Stone Atlas dark grey\* | tile  
PerForm | Art. no.: 1101250302 | 776 x 387 x 6 mm

# PRODUCT CONSTRUCTION 3.0

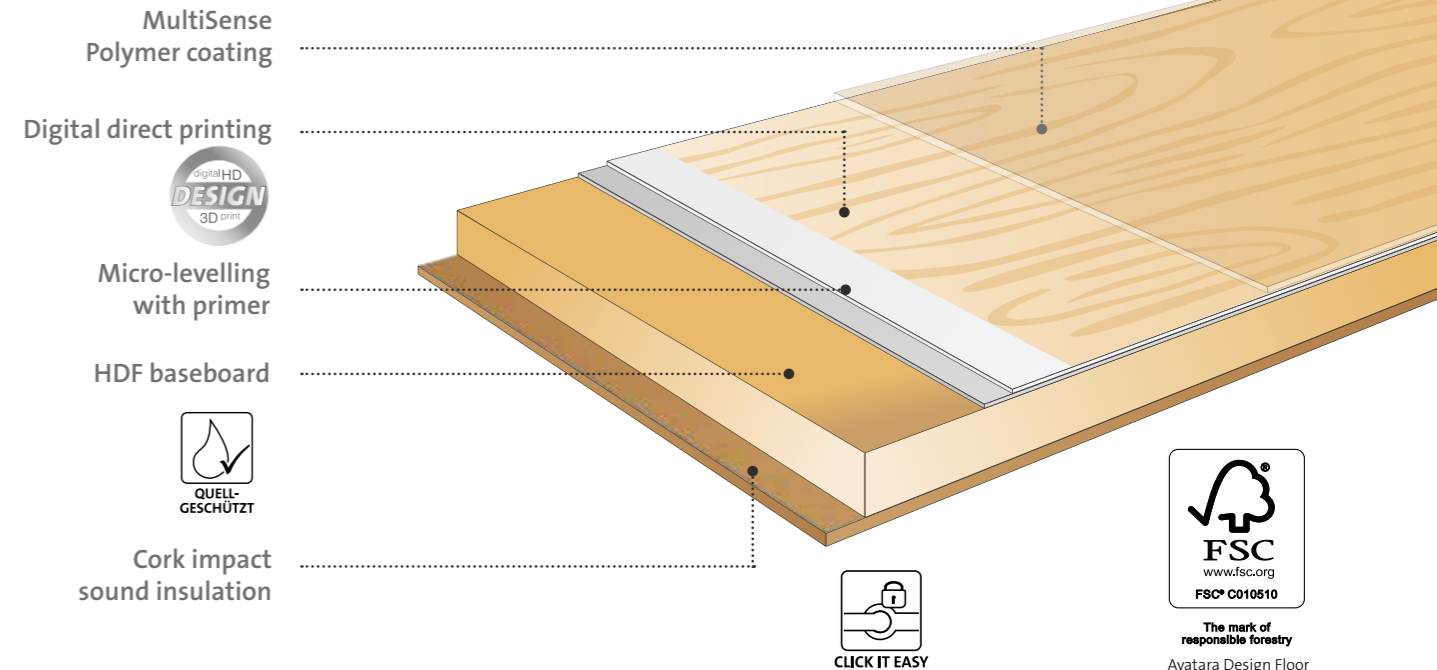
# AVATARA PERFORM

SINCE 1959  
MADE IN GERMANY



# AVATARA Comfort

SINCE 1959  
MADE IN GERMANY



### Underfloor heating

Avatara Design Floor by ter Hürne is suitable for use on warm water underfloor heating systems.



### Warranty

Avatara Design Floors are characterised by the highest quality made in Germany. All Avatara Design Floors are guaranteed for 20 years for domestic use and 10 years for commercial use.



### Healthy living

All Avatara design floors by ter Hürne are particularly low in emissions, proven to be free from pollutants and therefore healthy for living. This certainty is provided by the strict test catalogue of the renowned eco-institute. In addition, all Avatara products are awarded with the Blue Angel label.



### Talcusan®

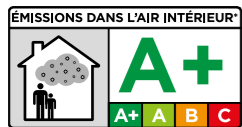
We use the new intelligent material Talcusan® for our Avatara PerForm, which mainly consists of silicates, chalk and the addition of the ecologically harmless material polypropylene. Thus, the entire range is free of PVC, chlorine, plasticisers and other solvents. Ideal for low-emission, healthy building and living.



slip-proof and flame-resistant



according to 16511/8



\*Information sur le niveau d'émission de substances volatiles dans l'air intérieur, présentant un risque de toxicité par inhalation, sur une échelle de classe allant de A+ (très faibles émissions) à C (fortes émissions).

### Underfloor heating

Avatara Design Floor by ter Hürne is suitable for use on warm water underfloor heating systems.



### Warranty

Avatara Design Floors are characterised by the highest quality made in Germany. All Avatara Design Floors are guaranteed for 20 years for domestic use and 10 years for commercial use.



### Healthy living

All Avatara design floors by ter Hürne are particularly low in emissions, proven to be free from pollutants and therefore healthy for living. This certainty is provided by the strict test catalogue of the renowned eco-institute. In addition, all Avatara products are awarded with the Blue Angel label.



The mark of responsible forestry  
Avatara Design Floor Comfort is FSC® certified.



\*Information sur le niveau d'émission de substances volatiles dans l'air intérieur, présentant un risque de toxicité par inhalation, sur une échelle de classe allant de A+ (très faibles émissions) à C (fortes émissions).



according to EN 15468: 2016 Annex A



# ACCESSORIES — PERFECTLY MATCHED

BECAUSE YOUR FLOOR DESERVES IT

What constitutes a perfectly installed floor? On one hand, it looks beautiful and on the other — and you only notice this over time — it stands out due to its durability. To achieve this, what you need above all are the right accessories, both before and after the installation. Our underlay material and care products are perfectly matched to the specifications of our

floors, significantly increasing their durability, appearance and feel. And with our functional transition profiles and decorative skirtings you will achieve the perfect finishing touches.

## UNDERLAY MATERIAL



## CARE AND MAINTENANCE



## SKIRTINGS




## METAL PROFILES



# DIGITAL DESIGN DIRECT ONLINE

**Product information**

**FLOOR**

 N10 Eiche Antares schwarzgrau  
matt  
Landhausdielen  
Avatara Designboden 3.0  
STRAIGHT EDITION [Alternative](#)

Product details Article no.: 1101170104

<b>Product group:</b>	Avatara Designboden 3.0	<b>Further product properties:</b>	queilgeschützt
<b>Product name:</b>	Eiche Antares schwarzgrau	<b>Groove:</b>	V-Fuge umlaufend
<b>Profile/Design:</b>	Landhausdielen	<b>Connection techniques:</b>	CLICKIEASY
<b>Surface structure:</b>	gebürstet	<b>Warranty (years):</b>	20
<b>Gloss:</b>	matt	<b>Surface no. / Decor / Design:</b>	2704
<b>Board dimension:</b>	Thickness (mm): 9	<b>Packing unit:</b>	Contents per box (piece): 7
	Length (mm): 1286		Contents per box (m <sup>2</sup> ): 1
	Width (mm): 194		Weight of box (kg): 13.01

[Add combination to watch list](#) [Calculate amount](#) Colour reproductions are not binding. \*Reproduction wood/stone.

## TRY THE ROOM STUDIO

Just try laying your own virtual floor.



[www.terhuerne.de/  
roomstudio](http://www.terhuerne.de/roomstudio)



# DECOR OVERVIEW

Pure Edition available in *Comfort* **PERFORM**



Straight Edition available in *Comfort* **PERFORM**



Stone Edition available in **PERFORM**





# Contact

ter Hürne GmbH & Co. KG

Ramsdorfer Str. 5

46354 Südlohn · Germany

Phone +49 2862 701-313

E-Mail: [export@terhuerne.de](mailto:export@terhuerne.de)

[www.terhuerne.de](http://www.terhuerne.de)

2019.26 | 1101160689 | CB | 5.2019.04 | Subject to alteration - Printed on ecologically friendly paper. | P2019.26