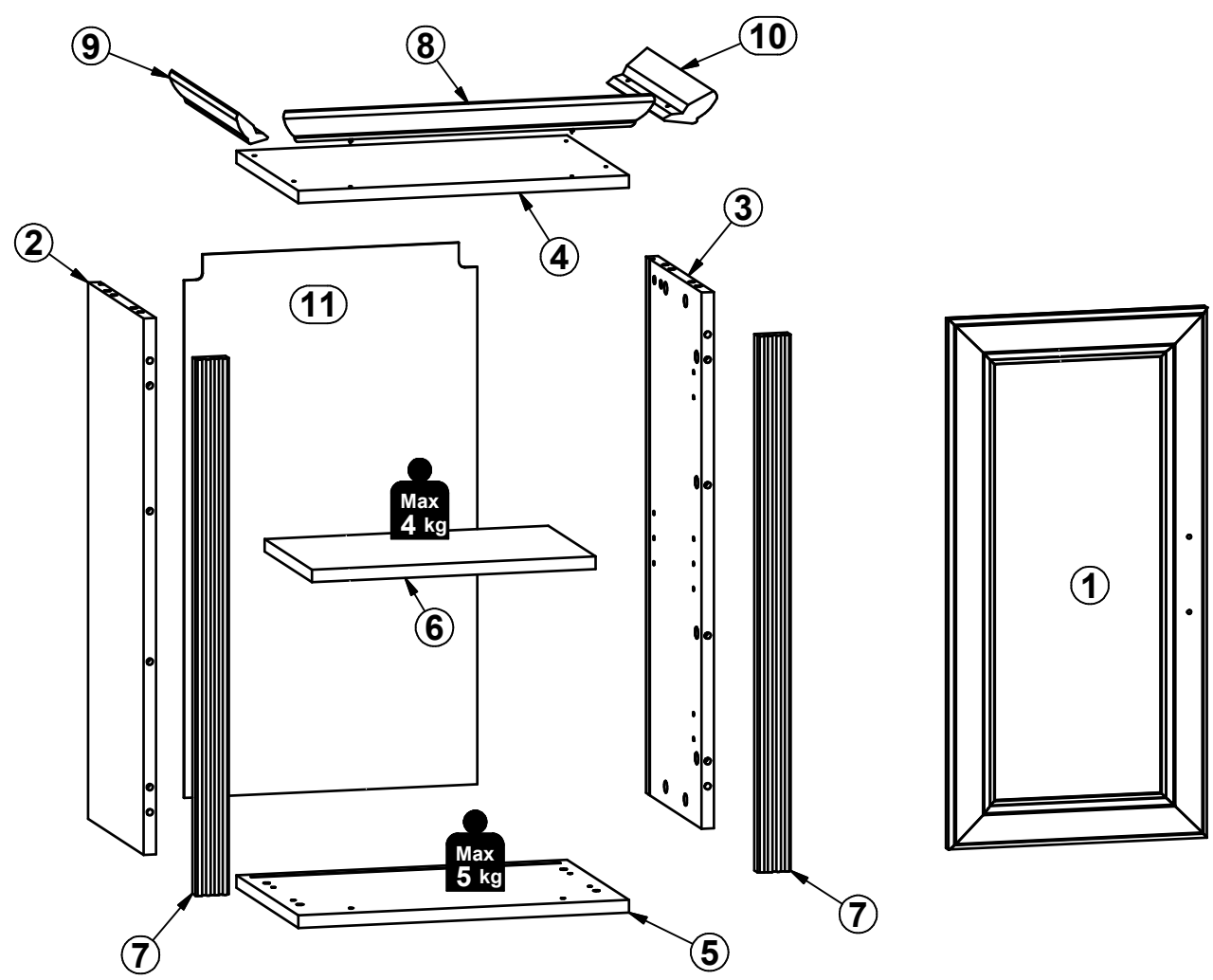
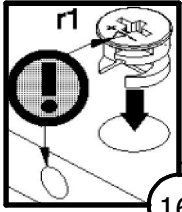
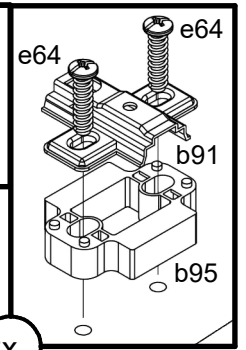
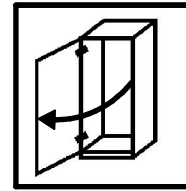
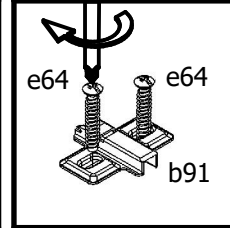
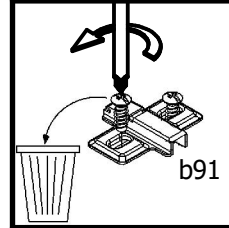
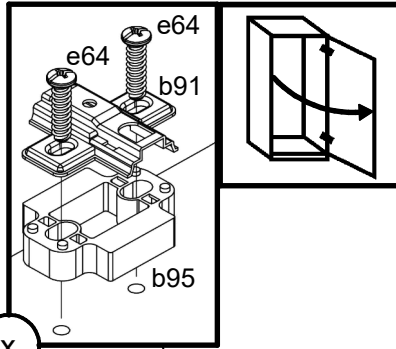


A	B	C1	C2	C3	D
1	S526-0003	676	336	22	1/1
2	S526-1003	684	270	16	1/1
3	S526-1004	684	270	16	1/1
4	S526-2004	430	300	16	1/1
5	S526-2005	430	300	16	1/1
6	S526-3002	369	230	16	1/1
7	S526-5002	684	43	19	1/1
8	S526-5804	483	67	22	1/1
9	S526-5805	326	67	22	1/1
10	S526-5806	326	67	22	1/1
11	S526-9002	692	381	2,5	1/1





1



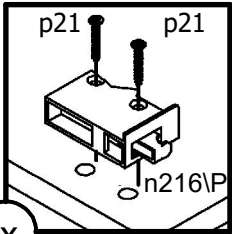
16x

2x

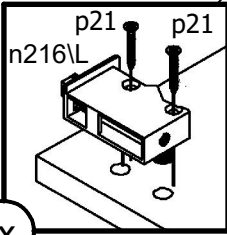
3

2

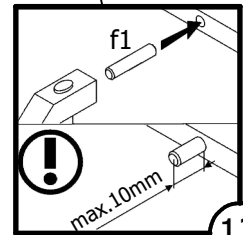
2x



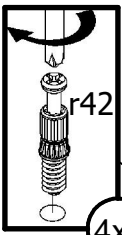
1x



1x



12x



4x

2x

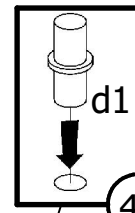
7

7

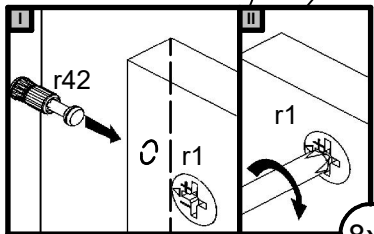
3

2

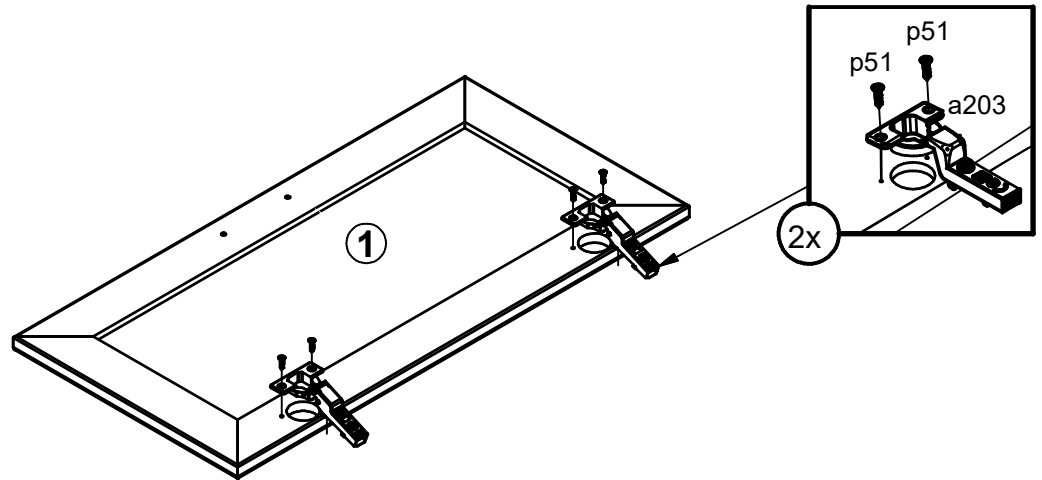
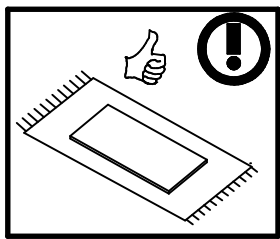
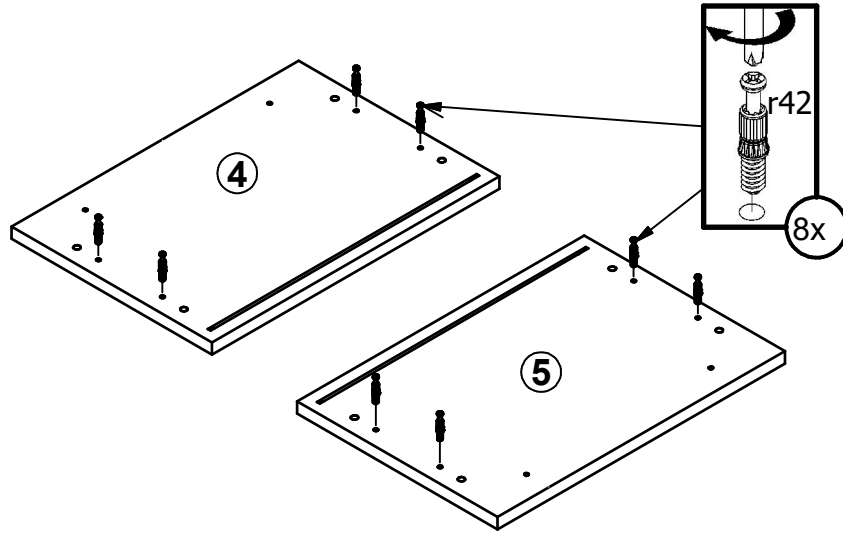
7



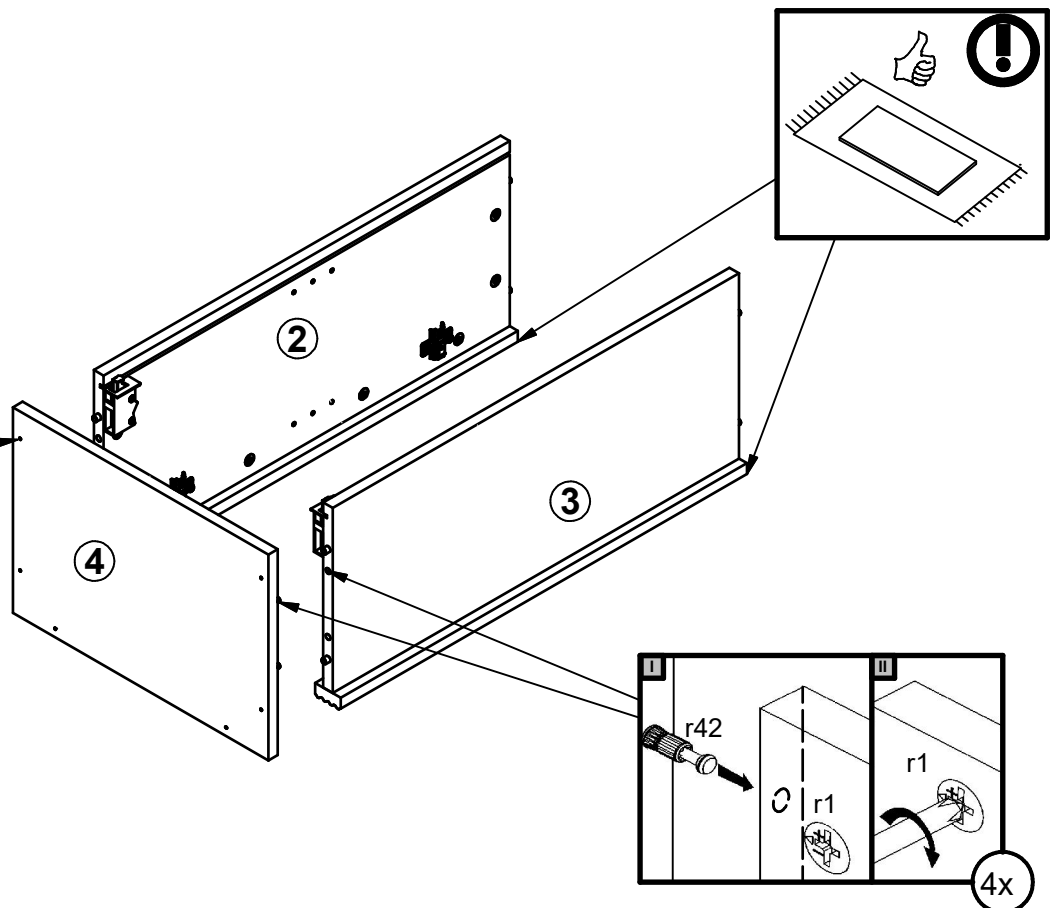
4x



8x

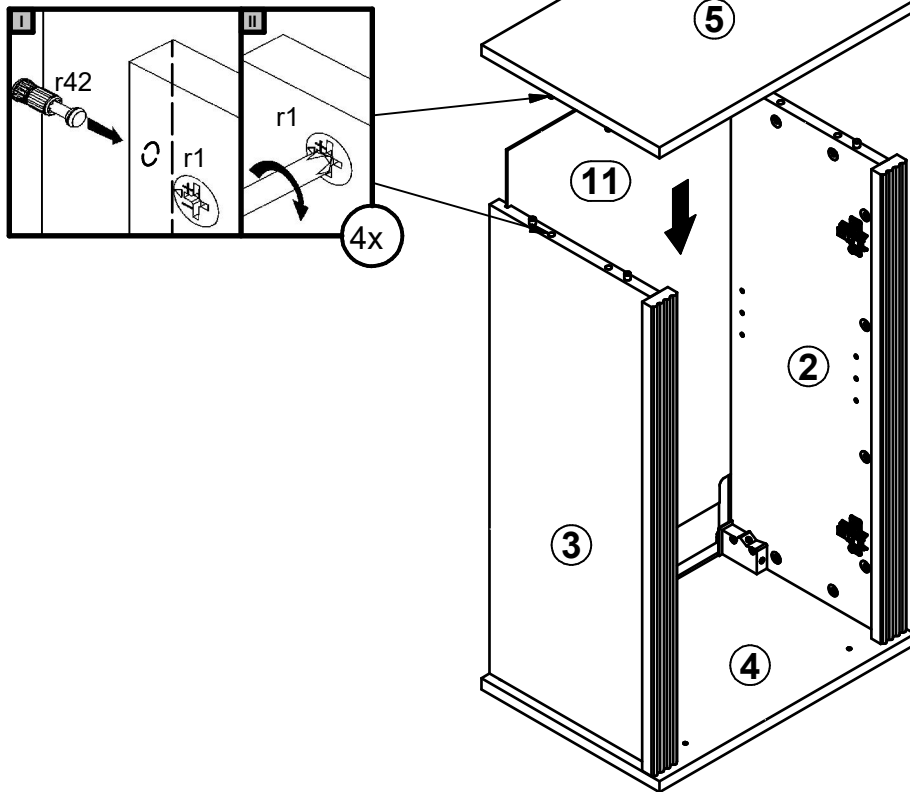


2

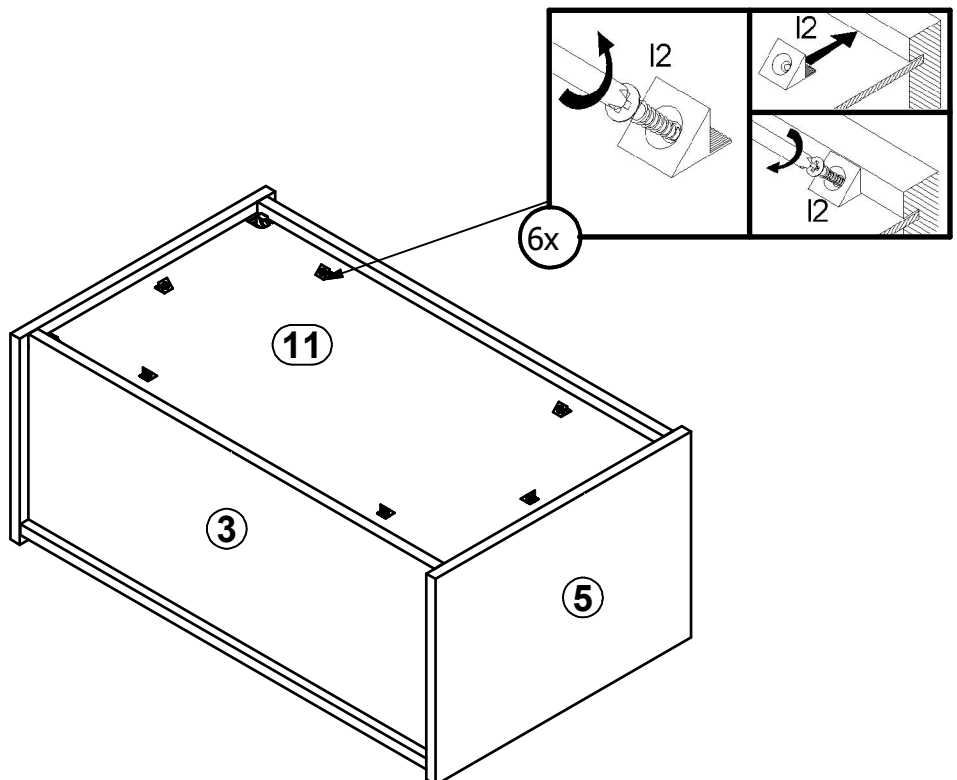
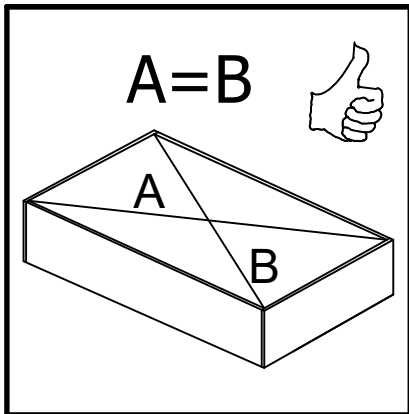




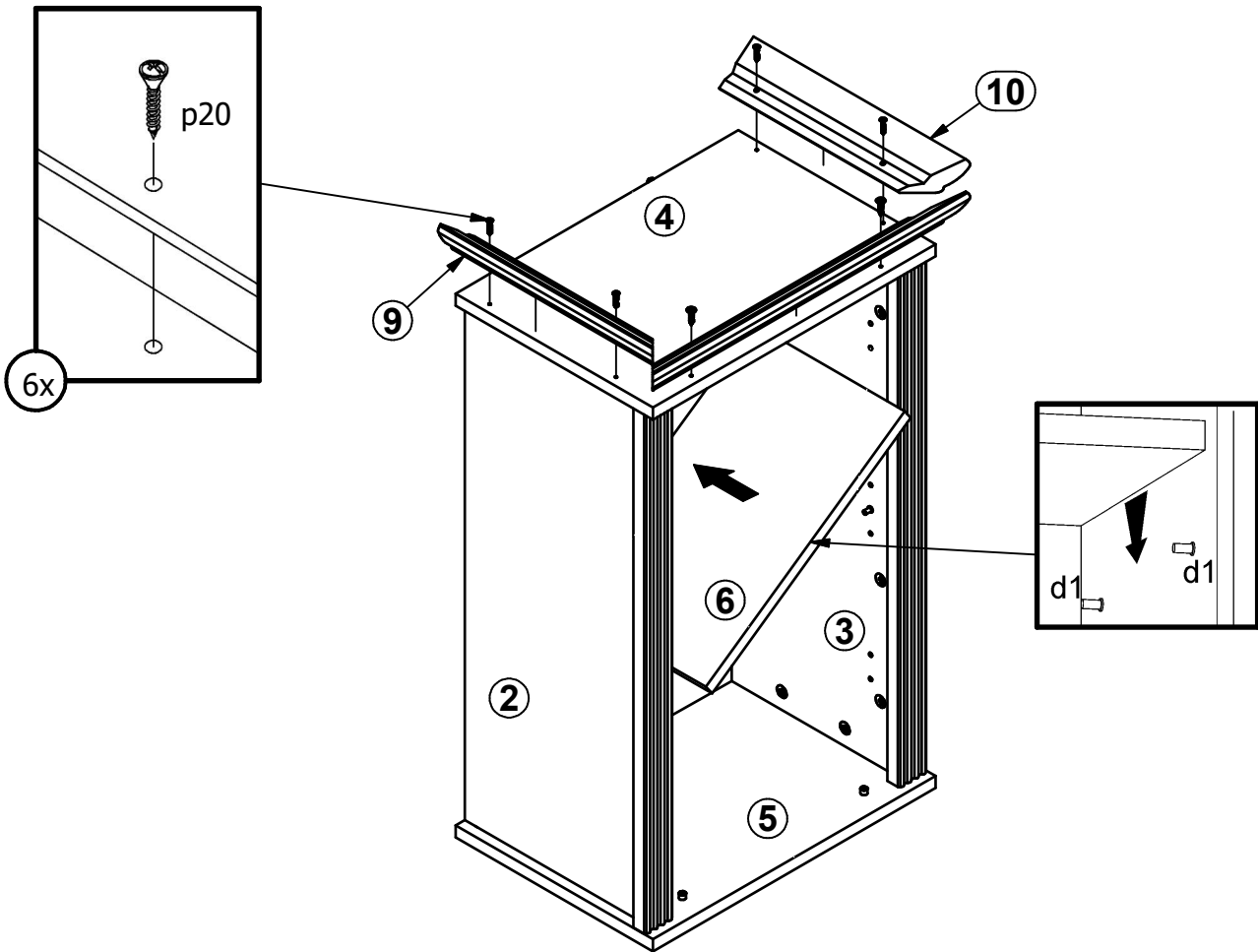
3



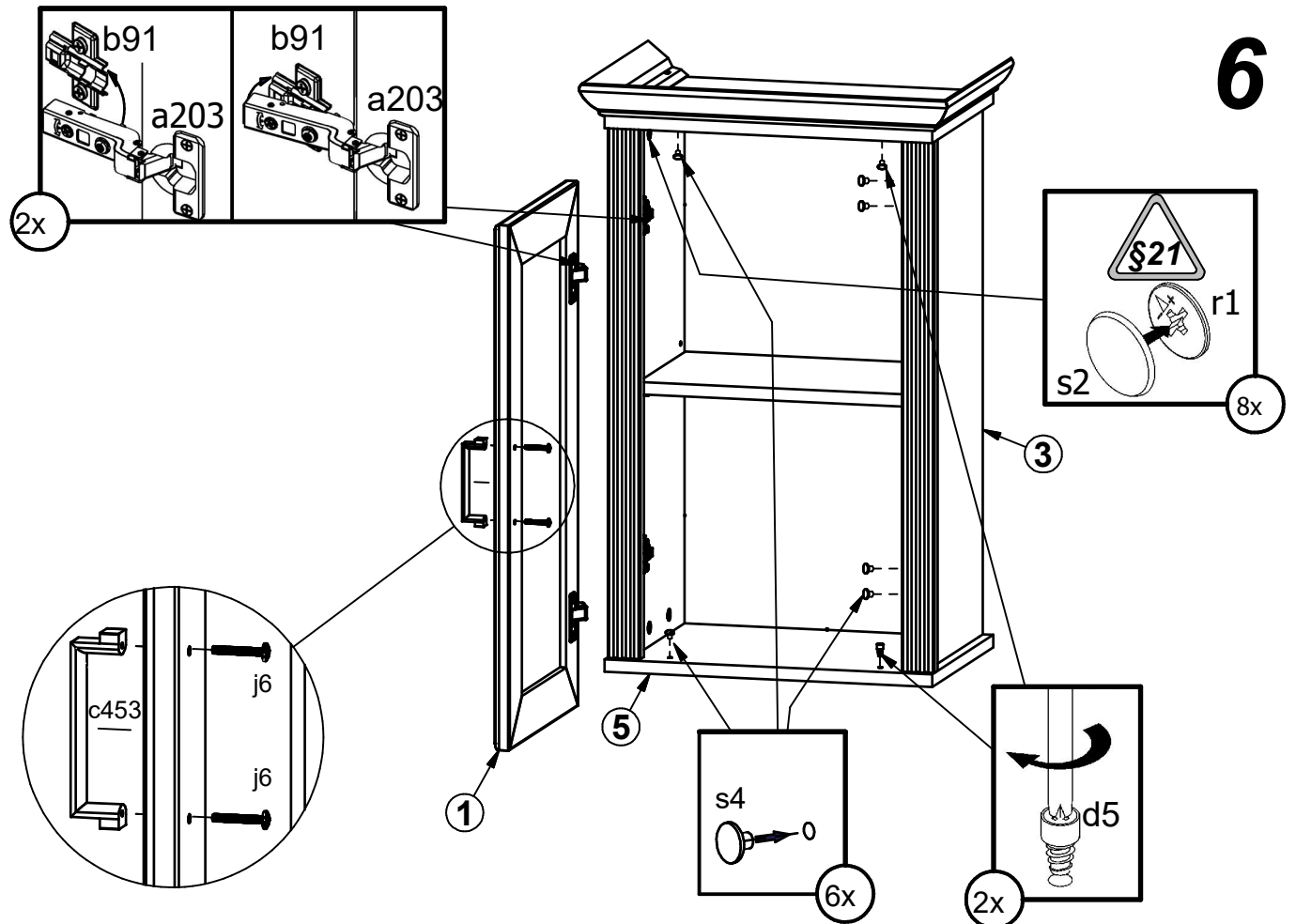
4



5



6



7

