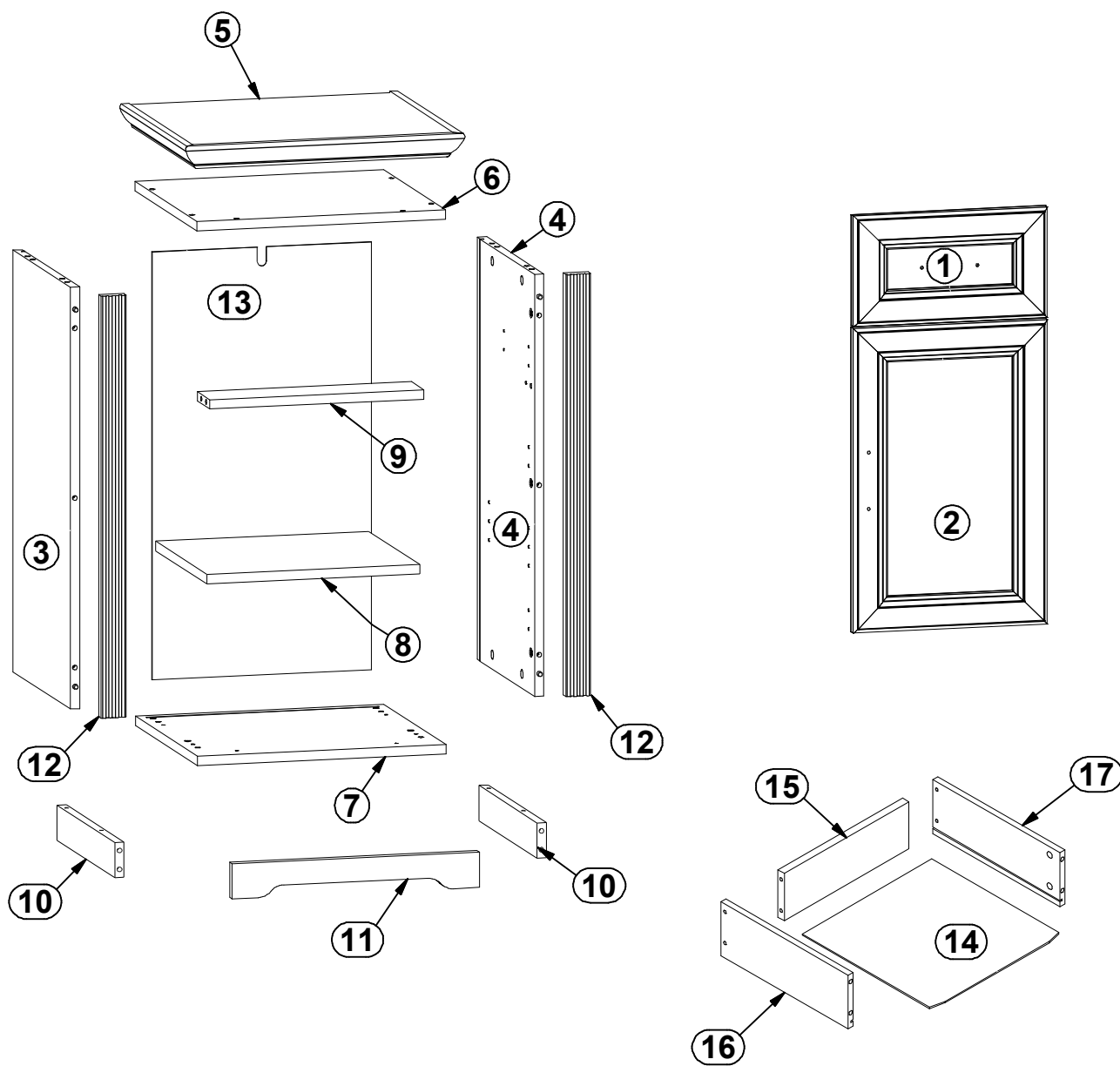
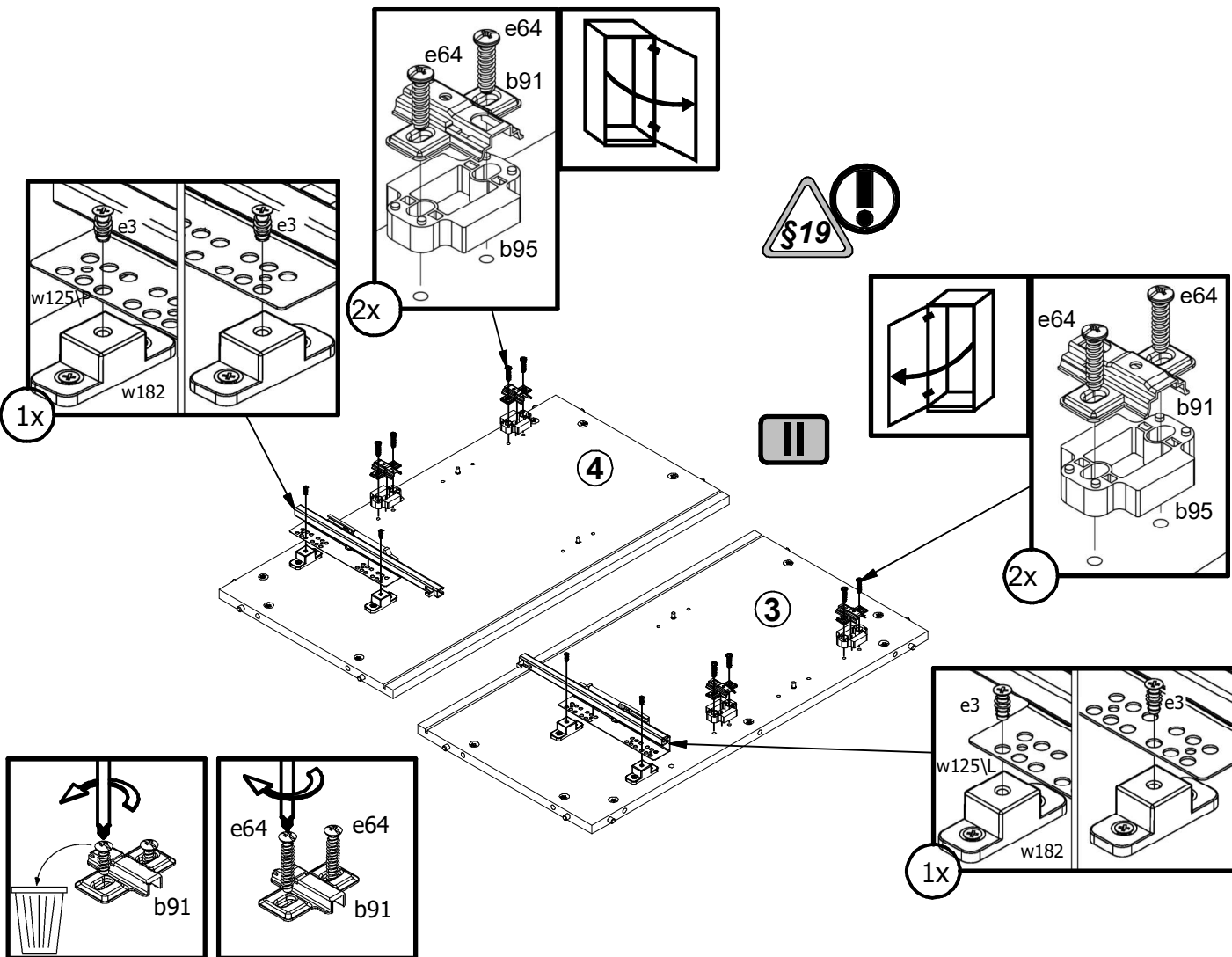
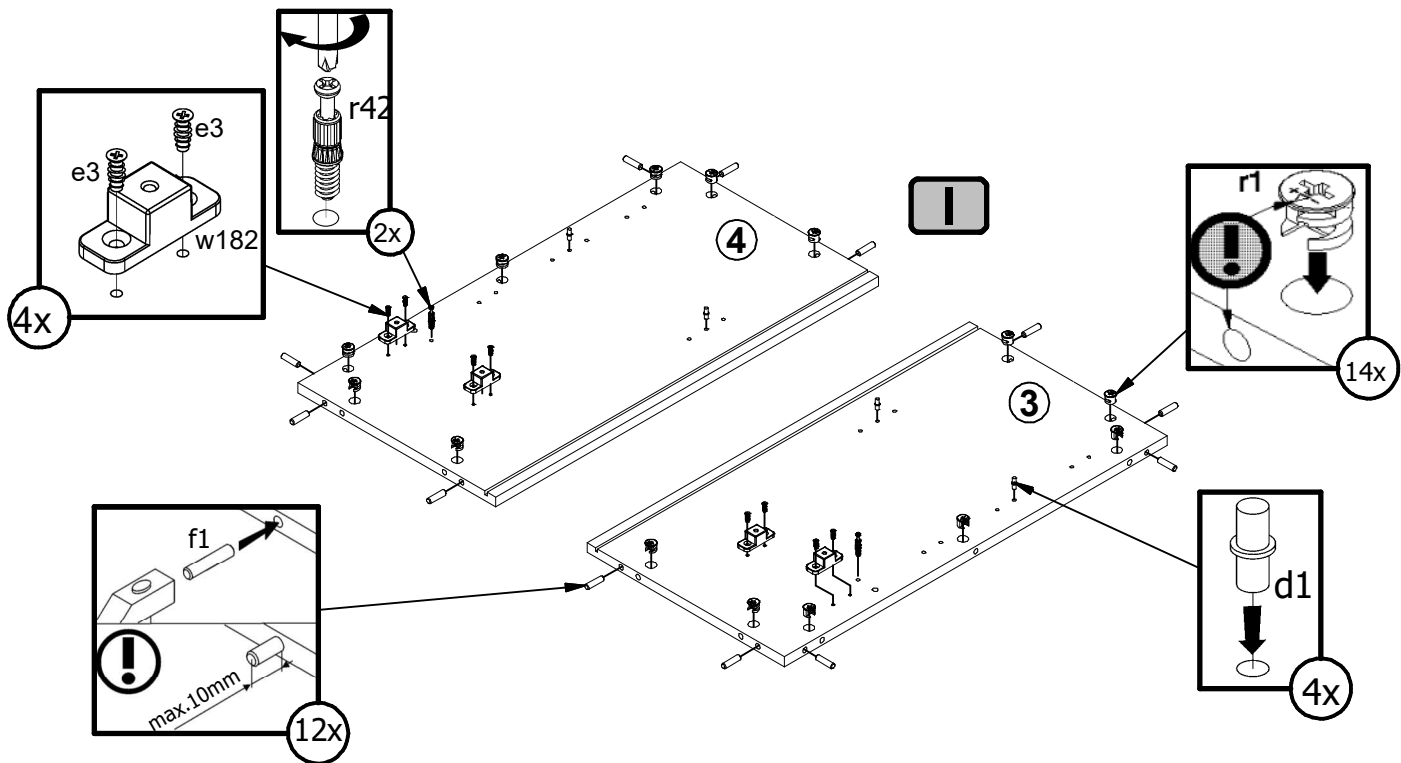


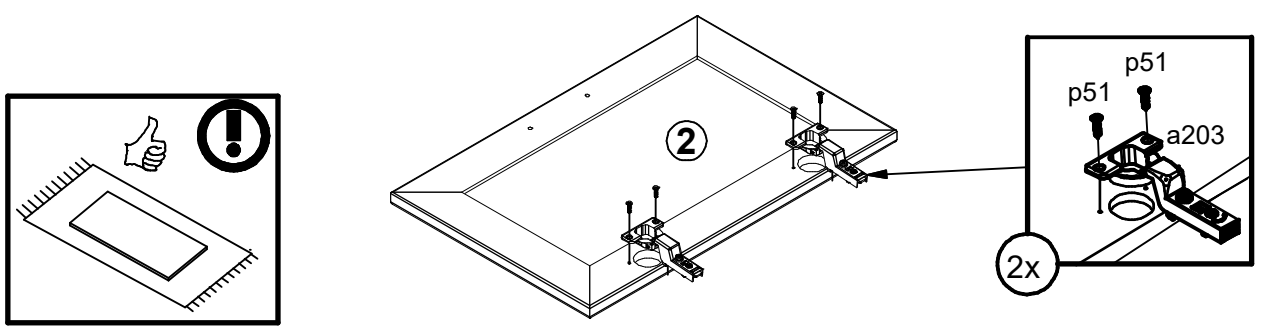
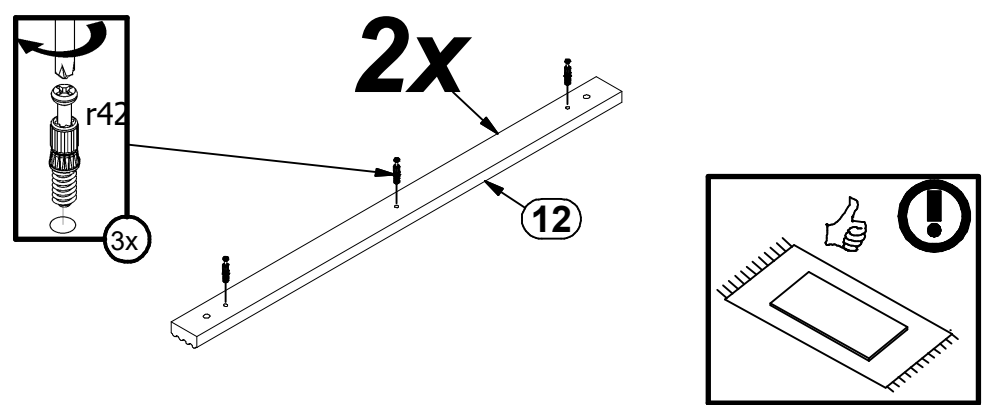
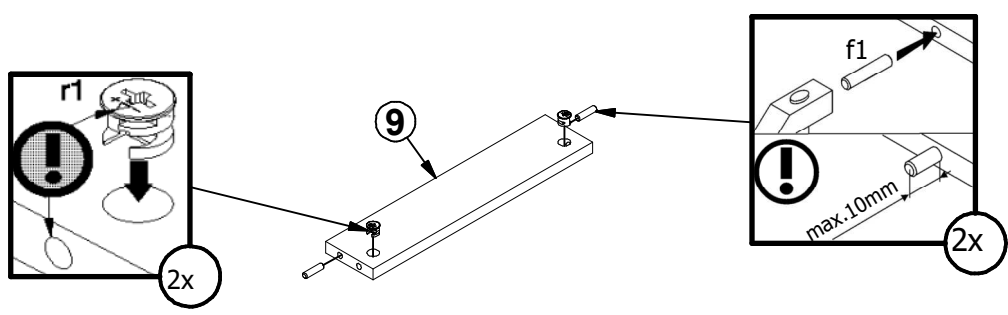
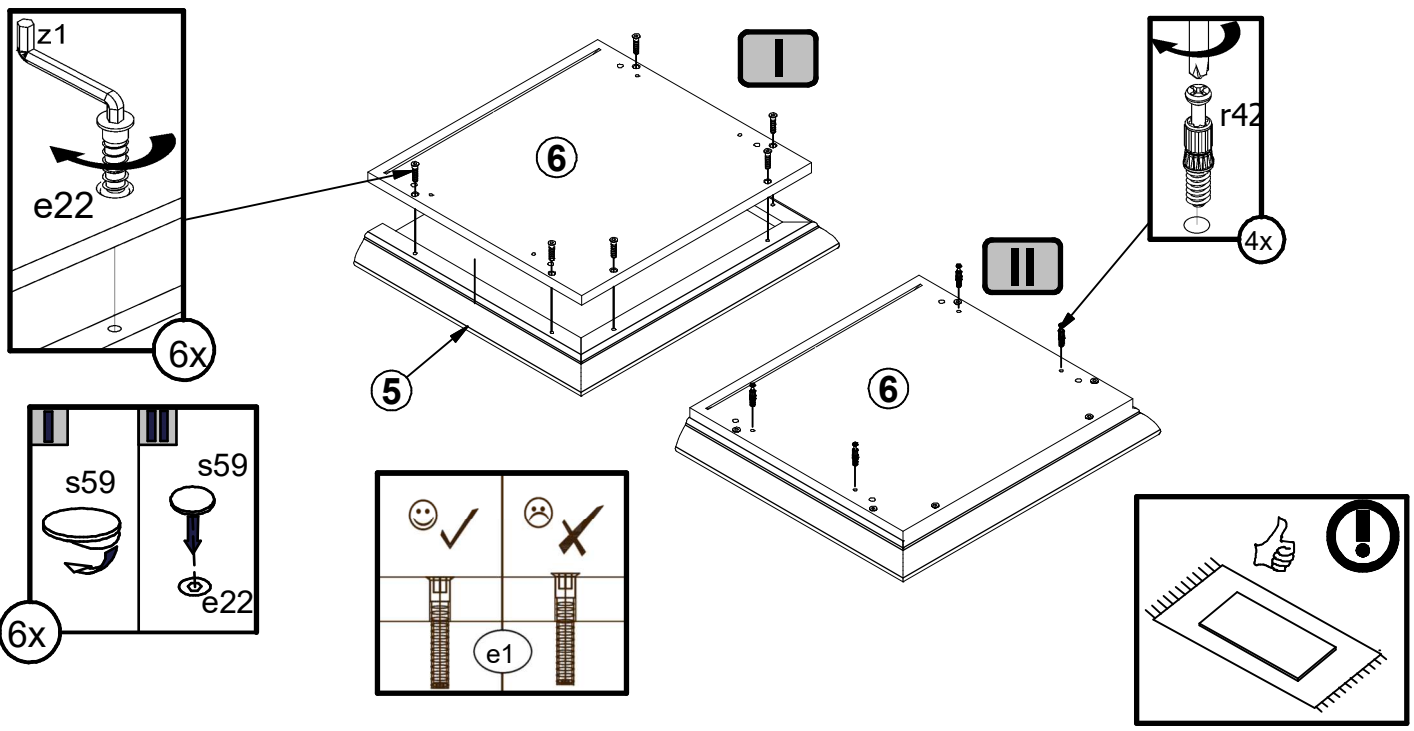
A	B	C1	C2	C3	D
1	S526-0001	336	188	22	1/1
2	S526-0002	517	336	22	1/1
3	S526-1001	716	370	16	1/1
4	M261-1002	716	370	16	1/1
5	S526-2001	483	426	43	1/1
6	S526-2002	430	400	16	1/1
7	S526-2003	430	400	16	1/1
8	S526-3001	369	330	16	1/1
9	S526-4001	370	80	16	1/1
10	S526-4101	373	60	16	1/1
11	S526-4151	428	60	16	1/1
12	S526-5001	716	43	19	1/1
13	S526-9001	726	380	2,5	1/1
14	WSP-9139	306	308	2,5	1/1
15	ZQ6-5161	294	97	15	1/1
16	ZQ6-517	300	110	12	1/1
17	ZQ6-518	300	110	12	1/1



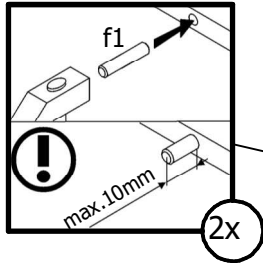


1



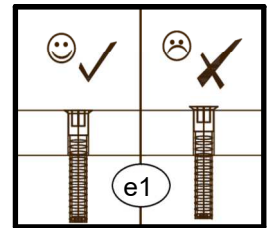
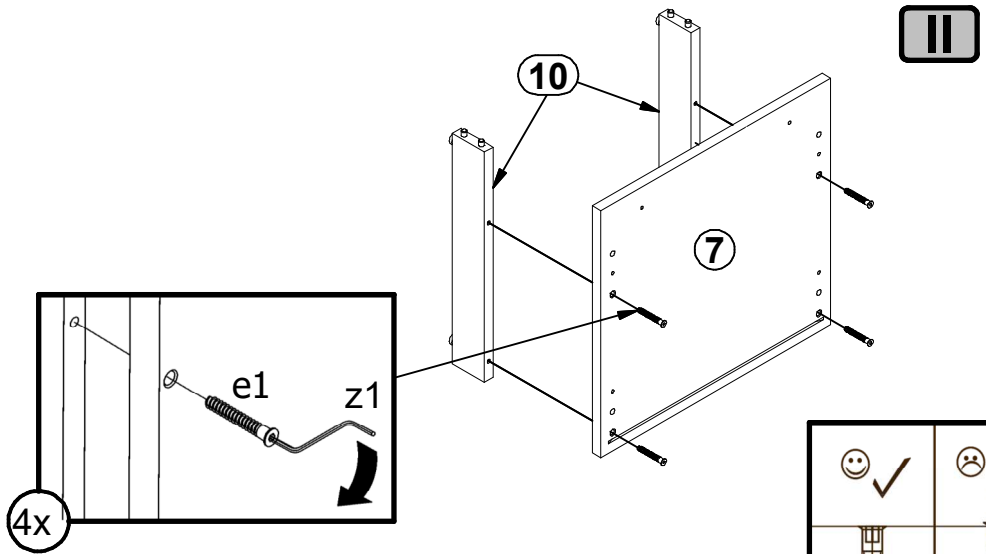
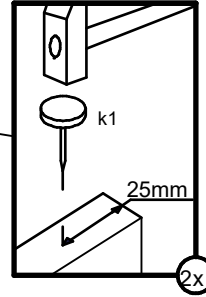
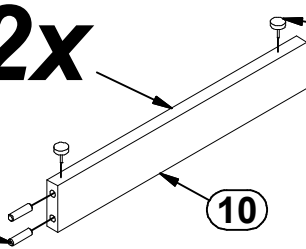


2

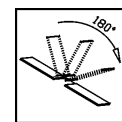
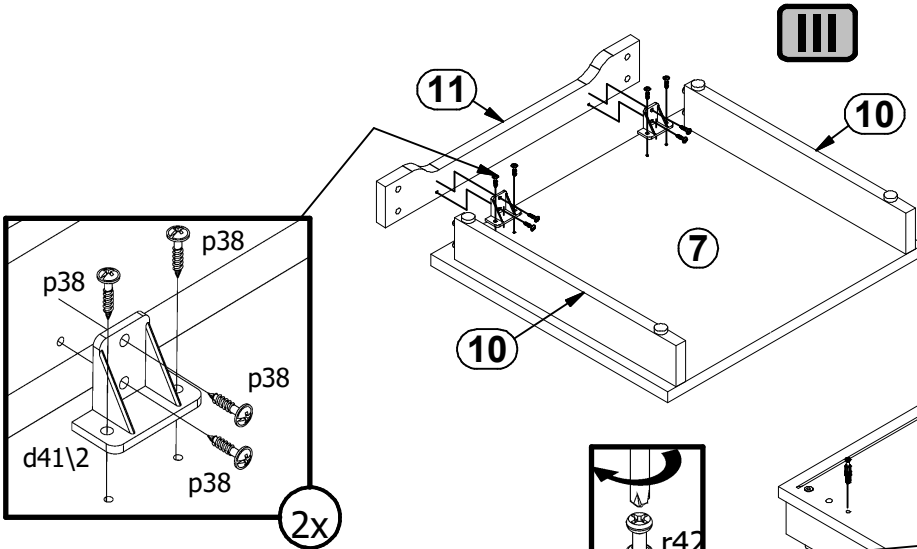


2x

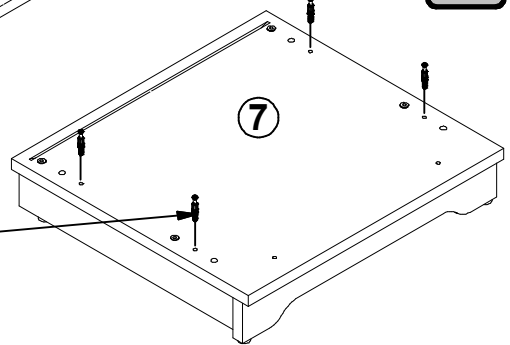
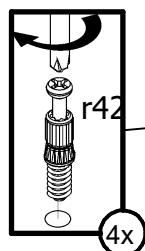
I



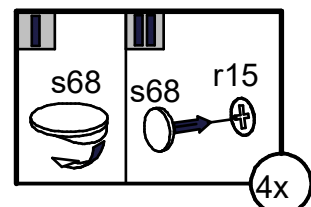
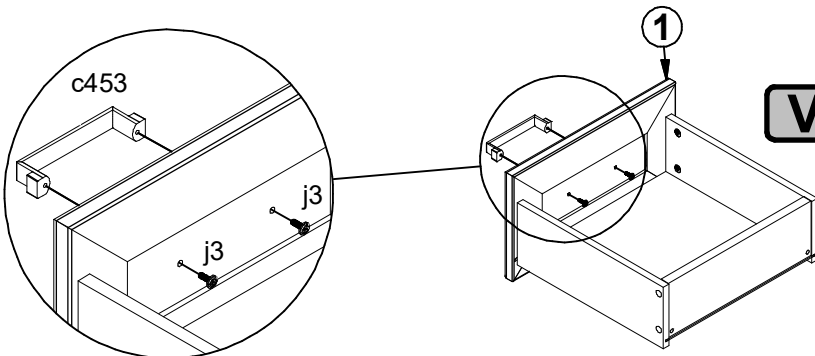
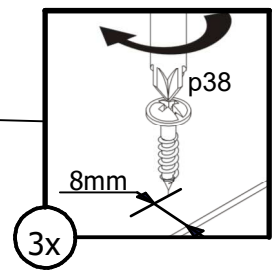
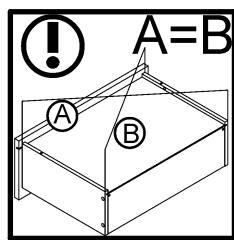
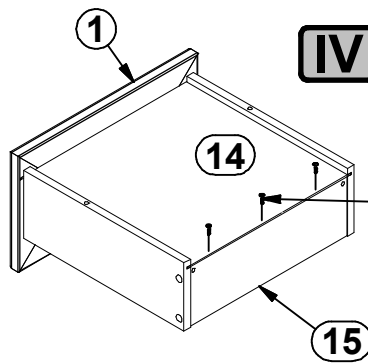
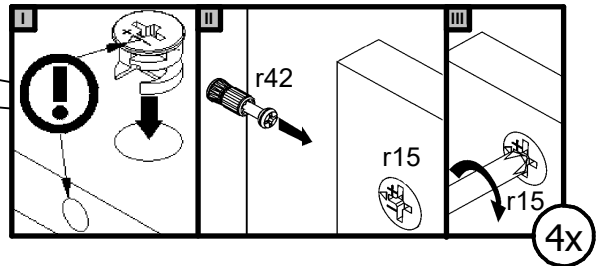
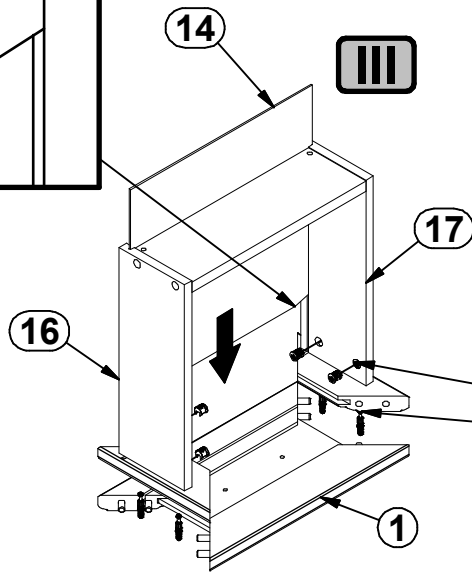
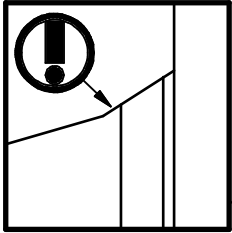
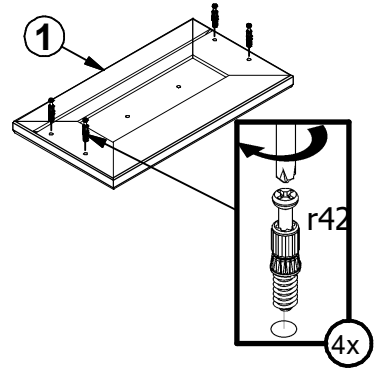
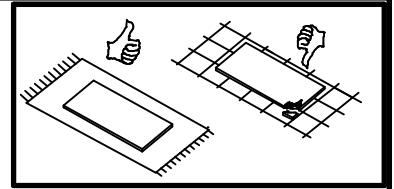
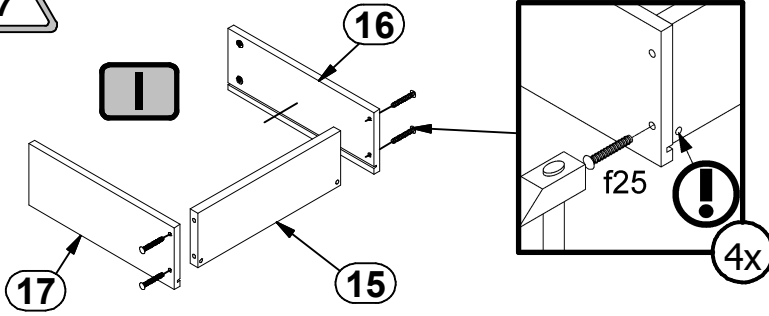
III

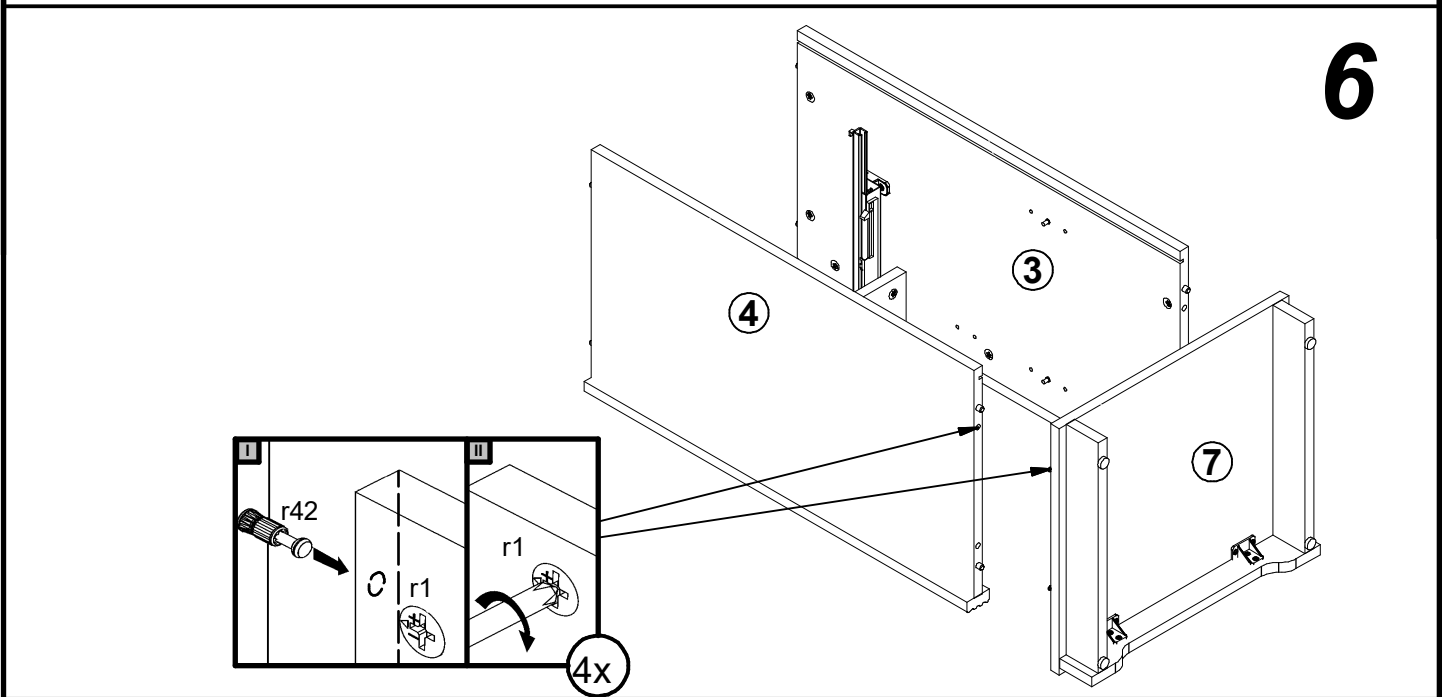
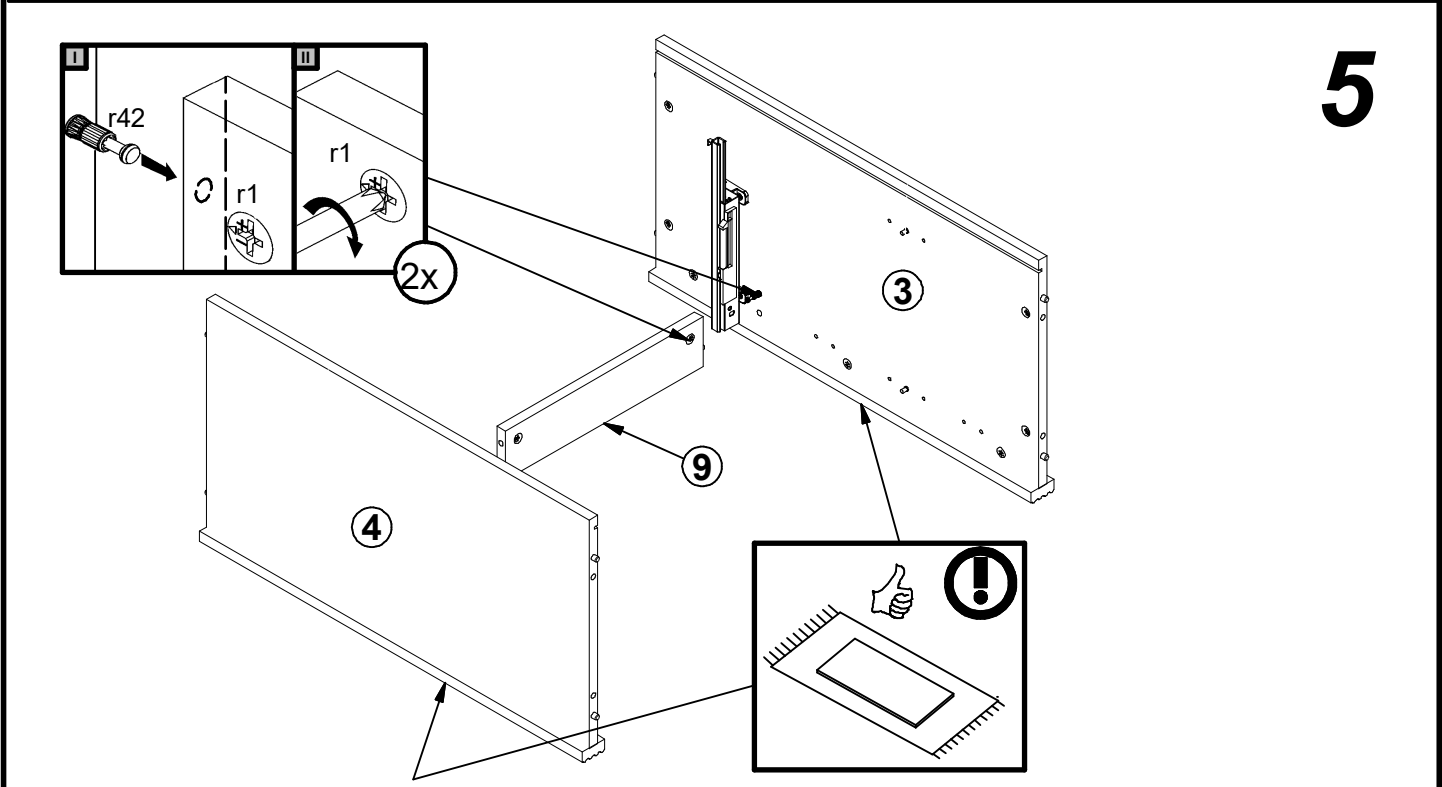
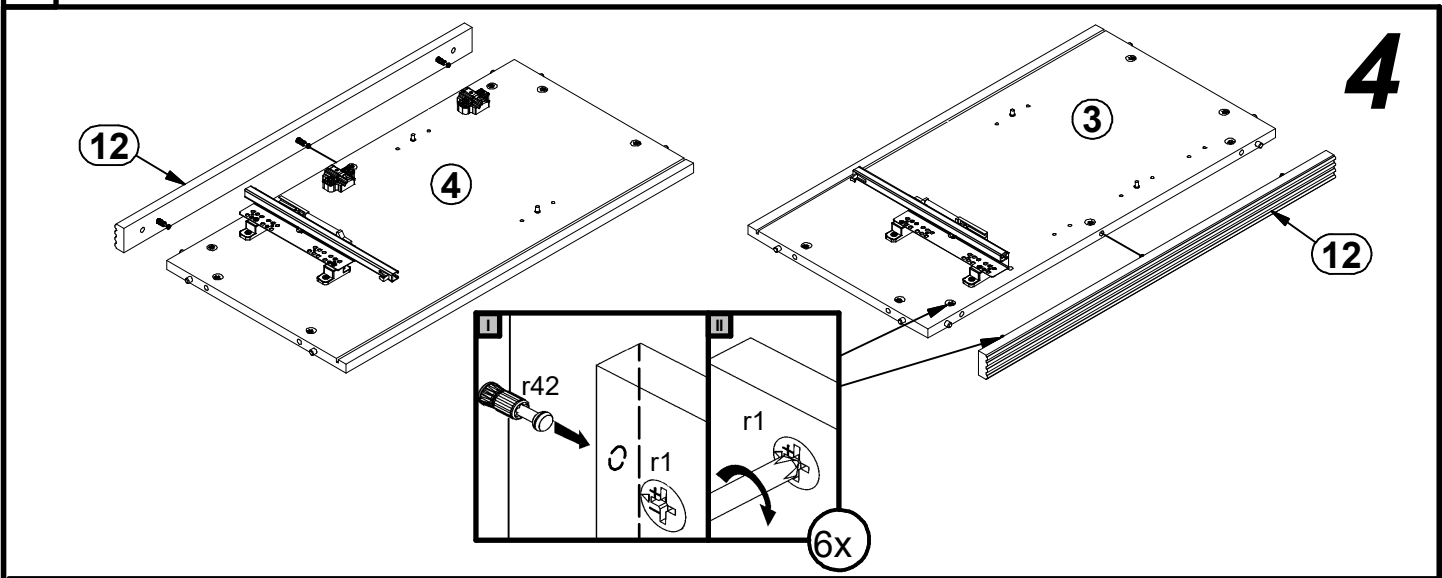


IV

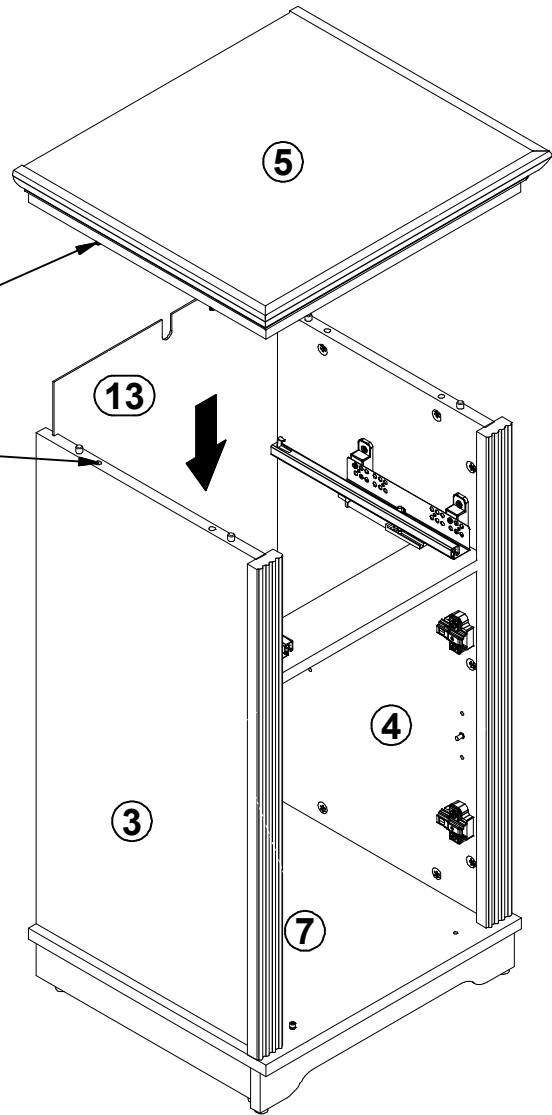
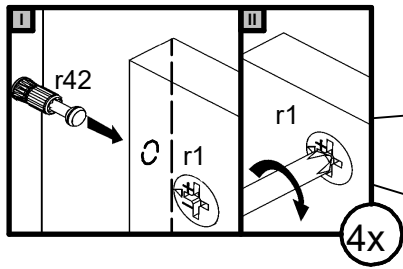


3

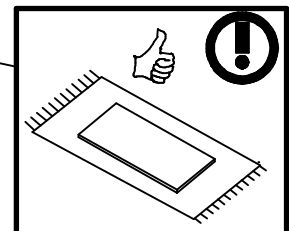
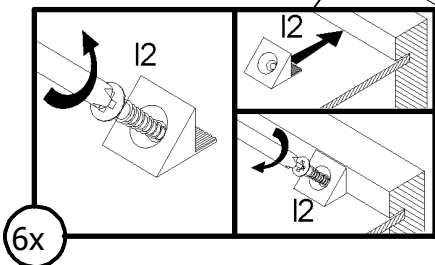
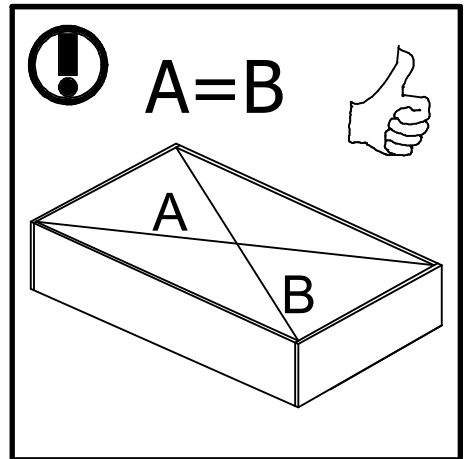
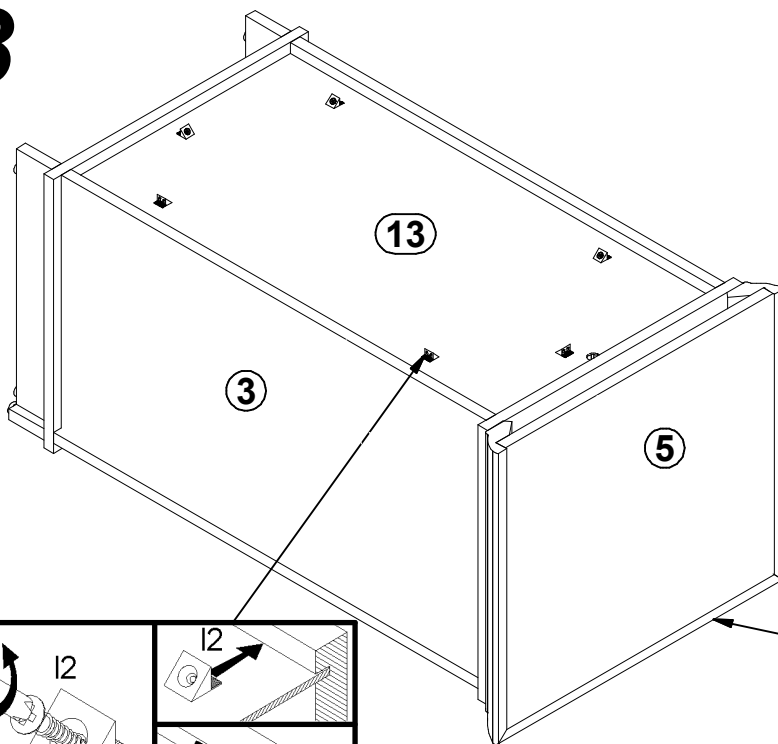




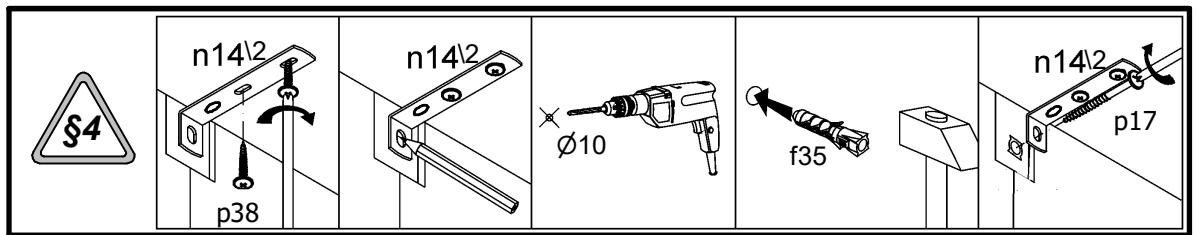
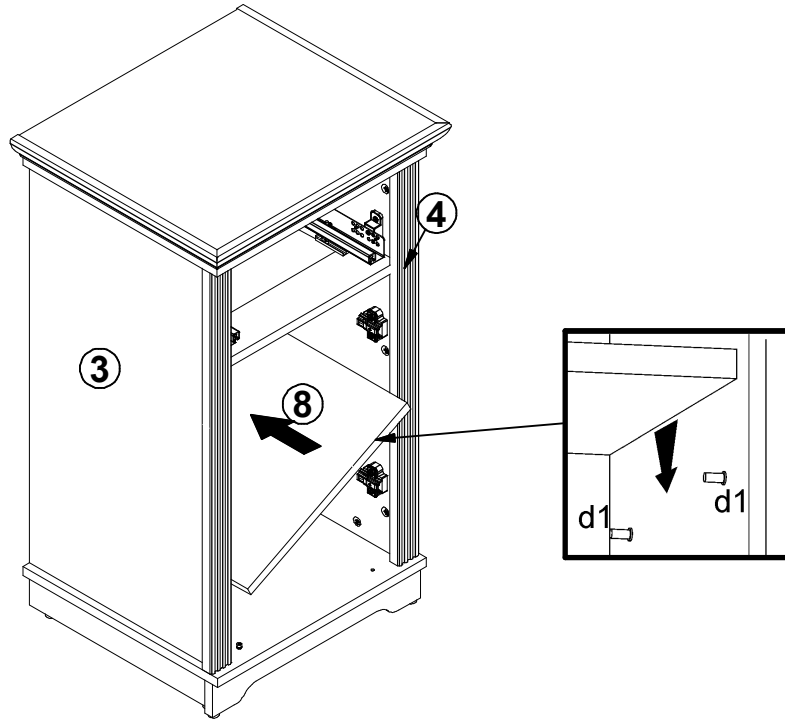
7



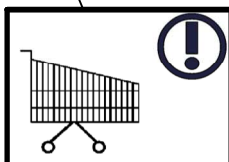
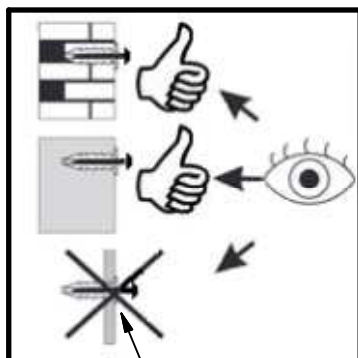
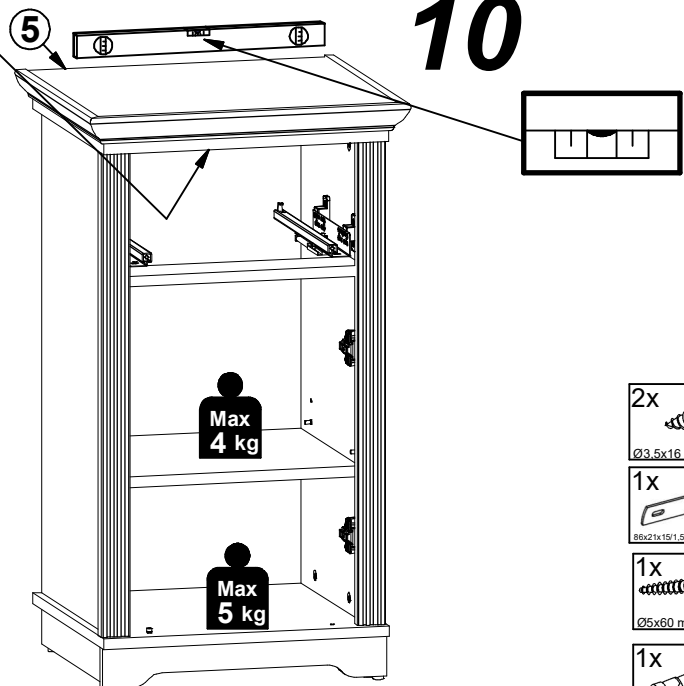
8

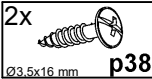
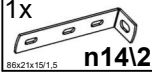
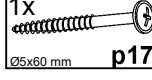



9



10



- 2x  **p38**
Ø3.5x16 mm
- 1x  **n142**
88x21x19/1.5
- 1x  **p17**
Ø5x60 mm
- 1x  **f35**
Ø10x50 mm

11

