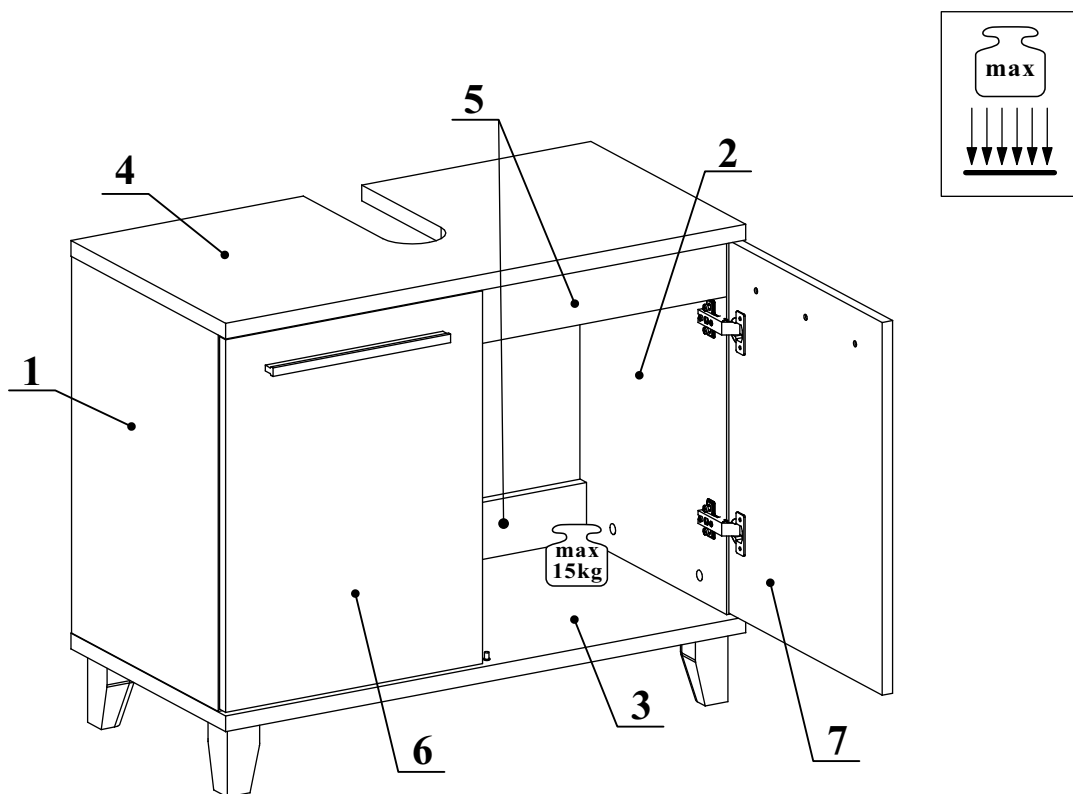
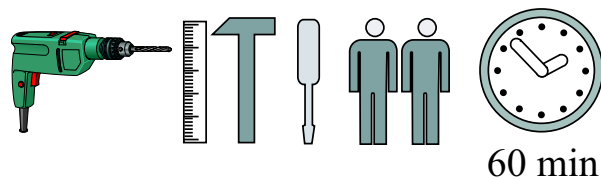


SOUTH US2 36-608-__-6

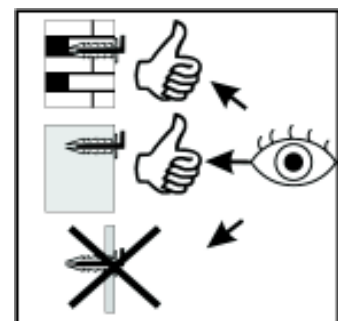
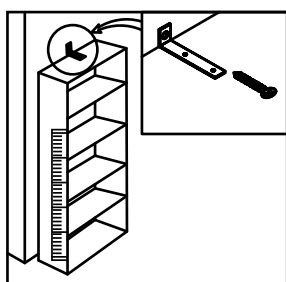
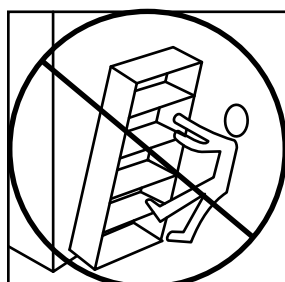
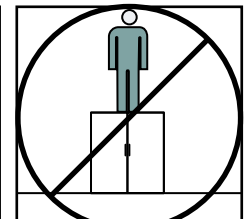
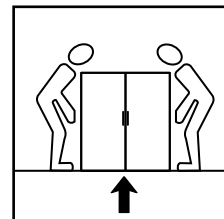
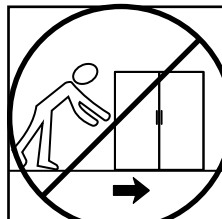
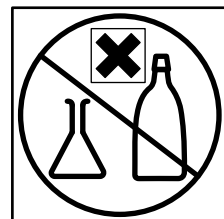
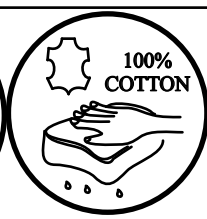
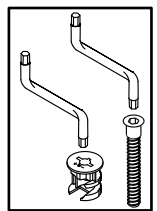
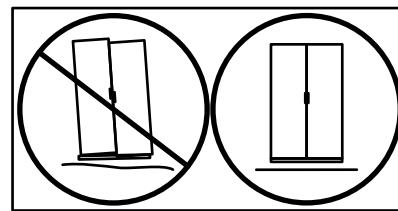
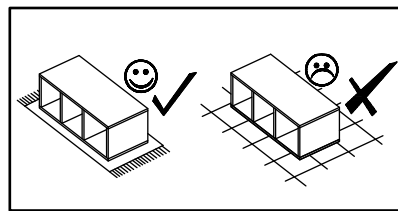
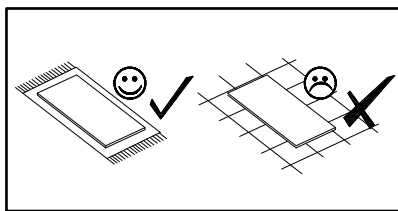
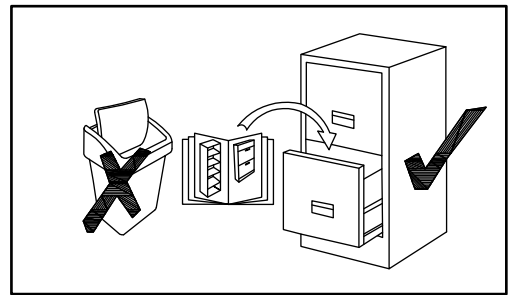
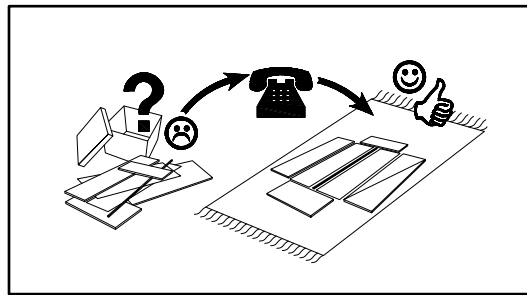
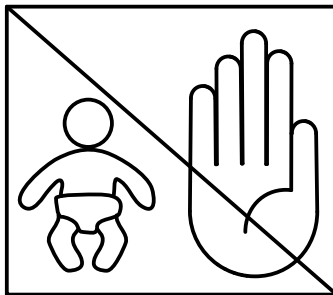
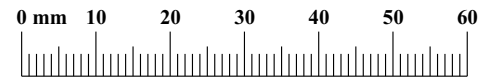


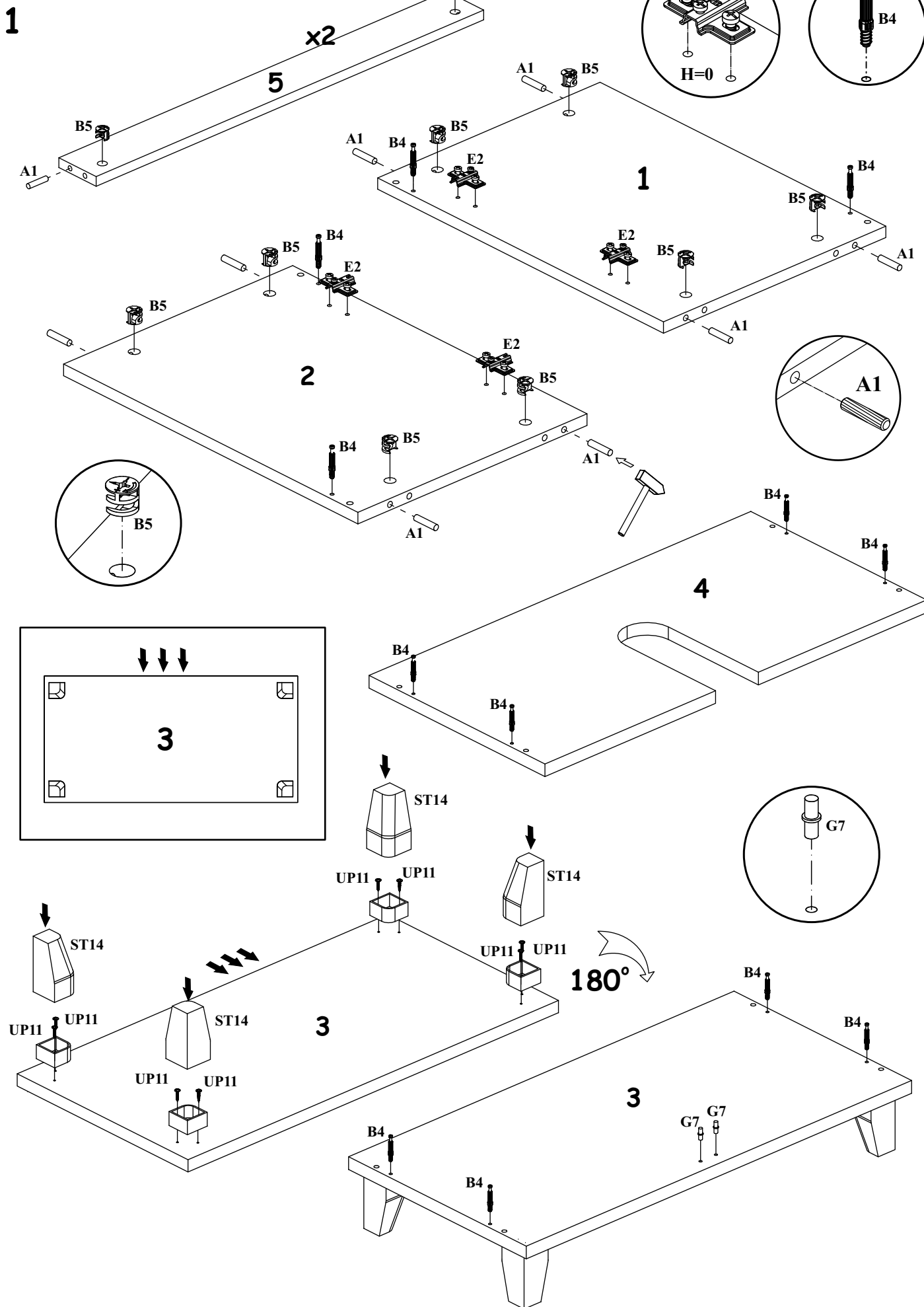
NO	Dim.		Col.-No	Qty
1	527	379	1	1
2	527	379	1	1
3	802	400	1	1
4	802	400	1	1
5	768	80	1	2
6	396	521	1	1
7	396	521	1	1



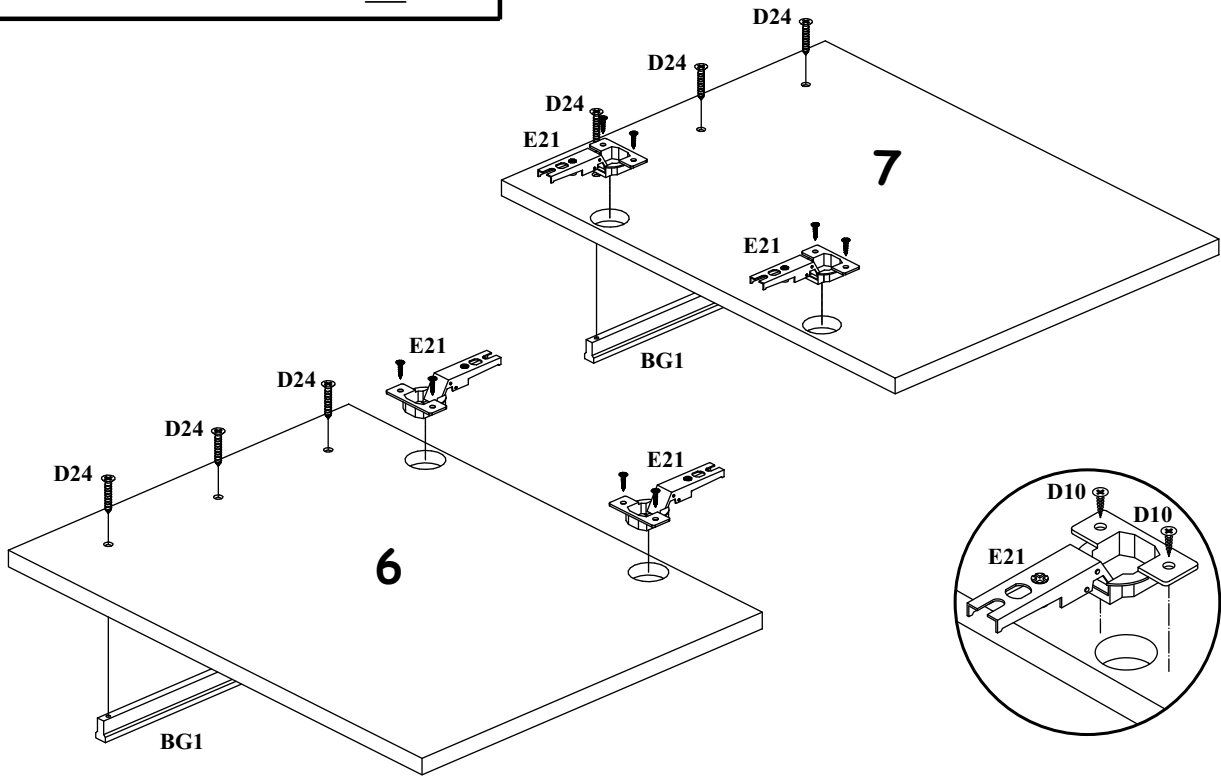
60 min

A1 X12 ø8x36	B4 X12	B5 X12 ø15x12	G5 X12	G7 X2	UP11 X8 UPØ4x20
E21 X4 Ø35 H=0	E2 X4 H=0	D10 X12 USØ3,5x13	BG1 X2 L-276mm.	D24 X6 USØ4x30	ST14 X4
KR1 X2	L1 X2	G2 X1			

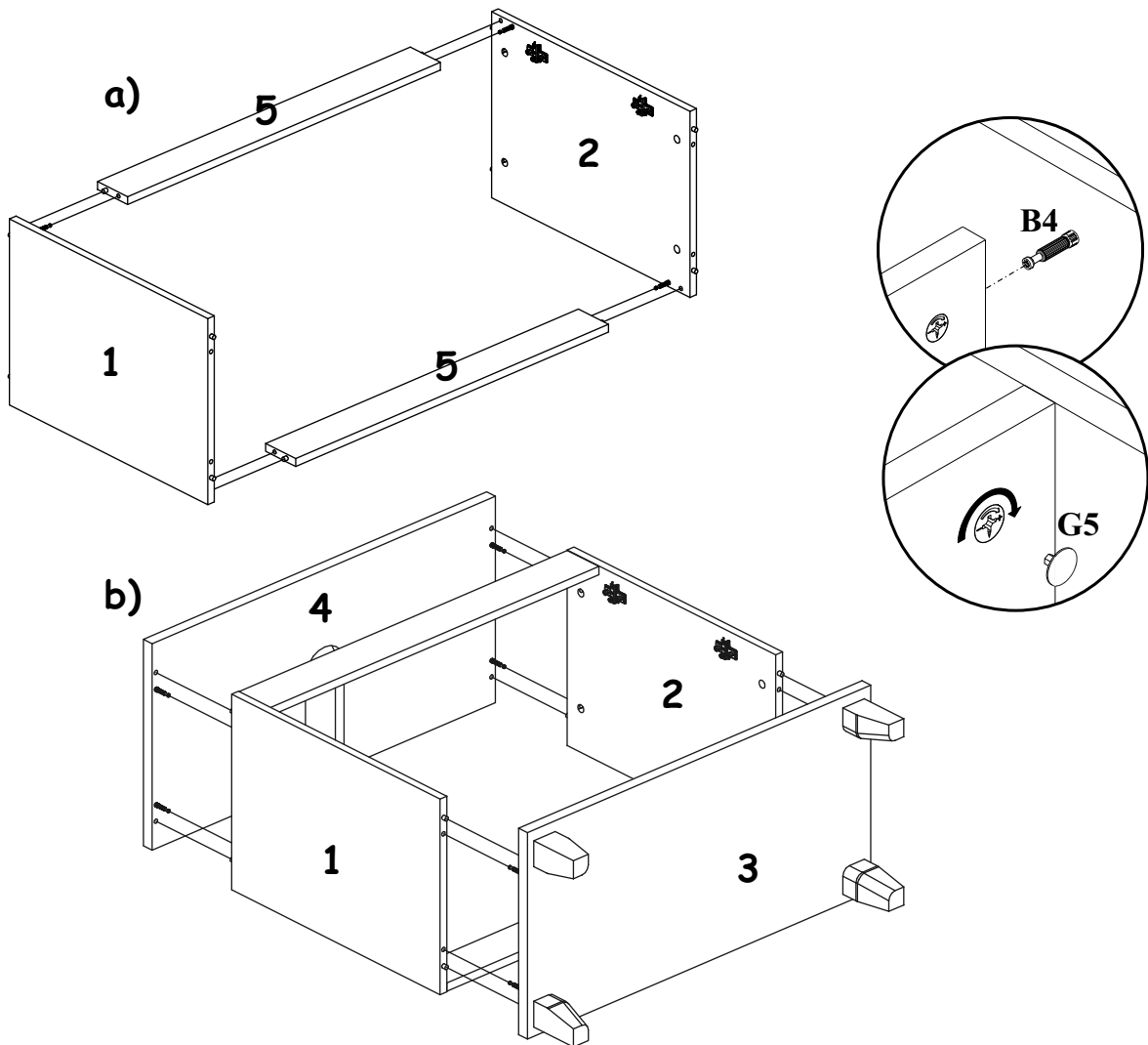




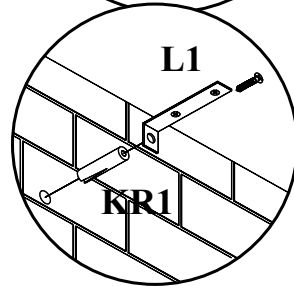
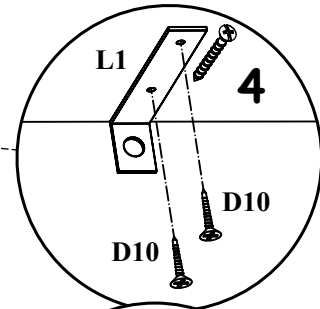
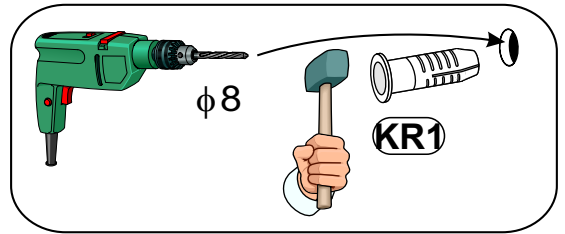
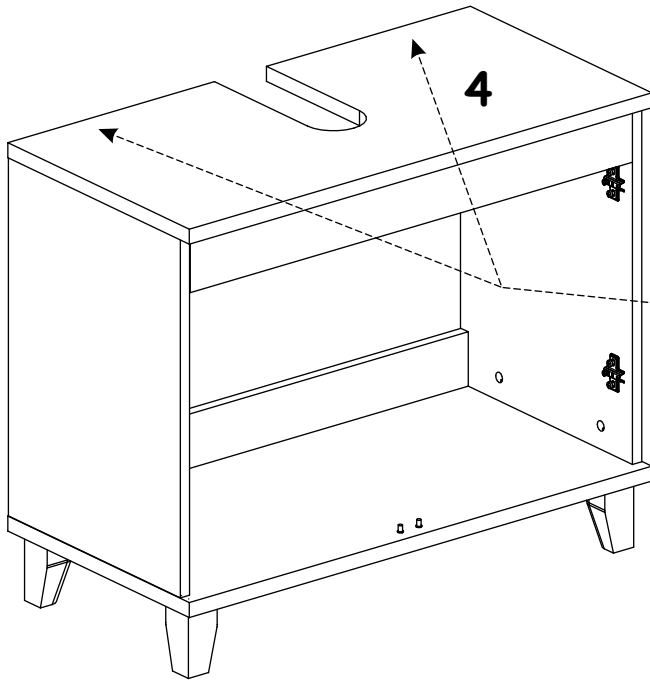
2



3



4



5

