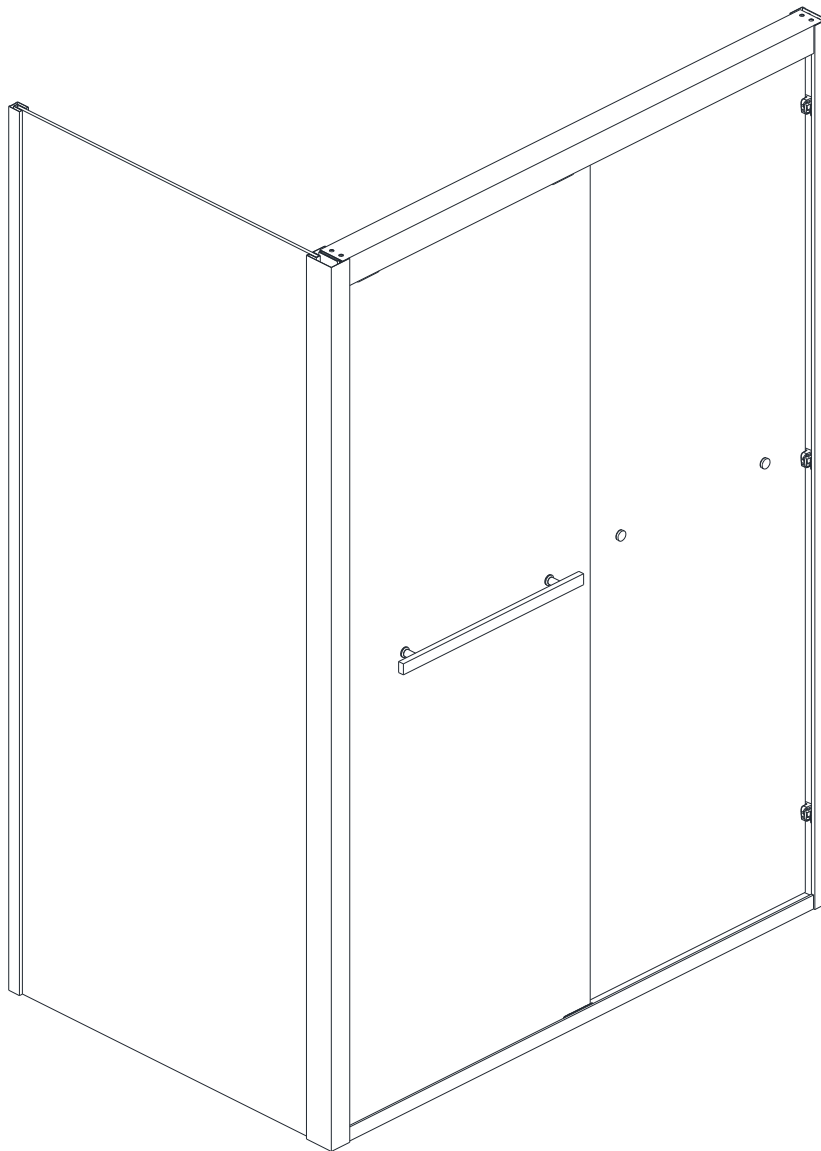


Installation Manual

PEROSA01GR

PEROSA01BR



◆ General Information

Please inspect the product immediately upon receipt for transit damage, missing packs/parts or manufacturing fault. Damage reported later cannot be accepted. Please handle the product with care avoiding knocks and shock loading to all sides and edges of the glass.

Notes: Safety glass can not be re-worked.

Please read these instructions carefully before start of installation.

Special care should be taken when drilling walls to avoid hidden pipes or electrical cables.

Note: This product is heavy and may require two people to install.

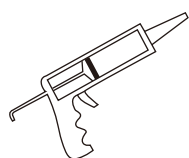
Aftercare instructions

After use, your shower should be cleaned with soap and water. This is particularly important in hard water districts where insoluble lime salts may be deposited and allowed to build up. Cleaners of a gritty or abrasive nature should not be used. Care should be taken to avoid contact with strong chemicals such as organic solvents and strippers.

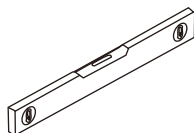
Glass cleaners can be used but with caution, if in doubt contact the manufacturer of the cleaner in question.

Please keep these instructions for aftercare and customer service details.

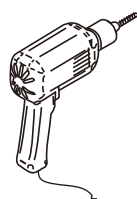
Tools Required



SILICONE



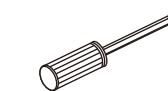
LEVEL



DRILL



Ø 6mm



SCREWDRIVERS



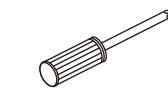
BLOCK



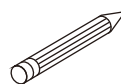
MALLET



Ø 3.2mm



SCREWDRIVERS



PENCIL



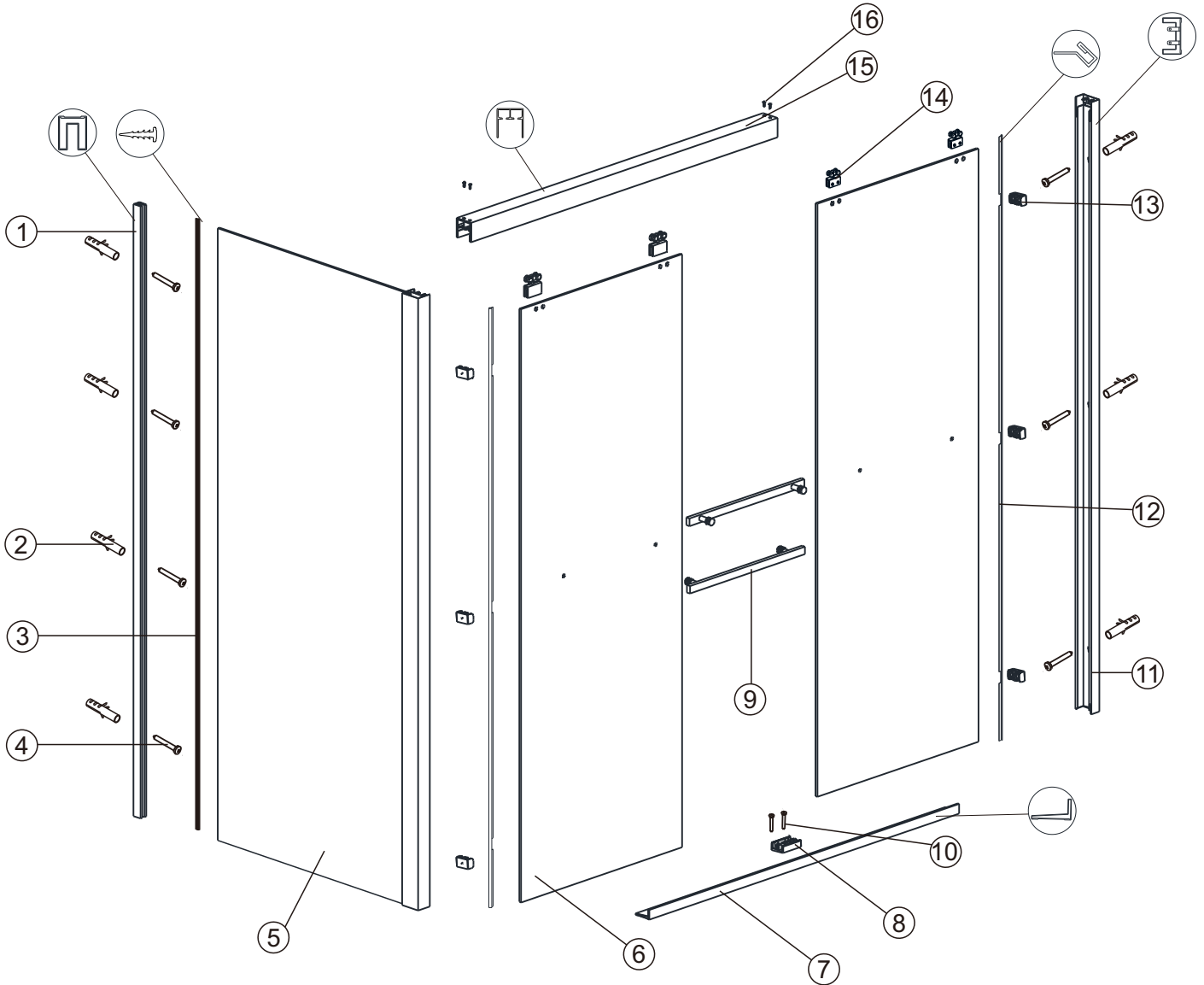
TAPE MEASURE



This product is heavy and may require two people to install.



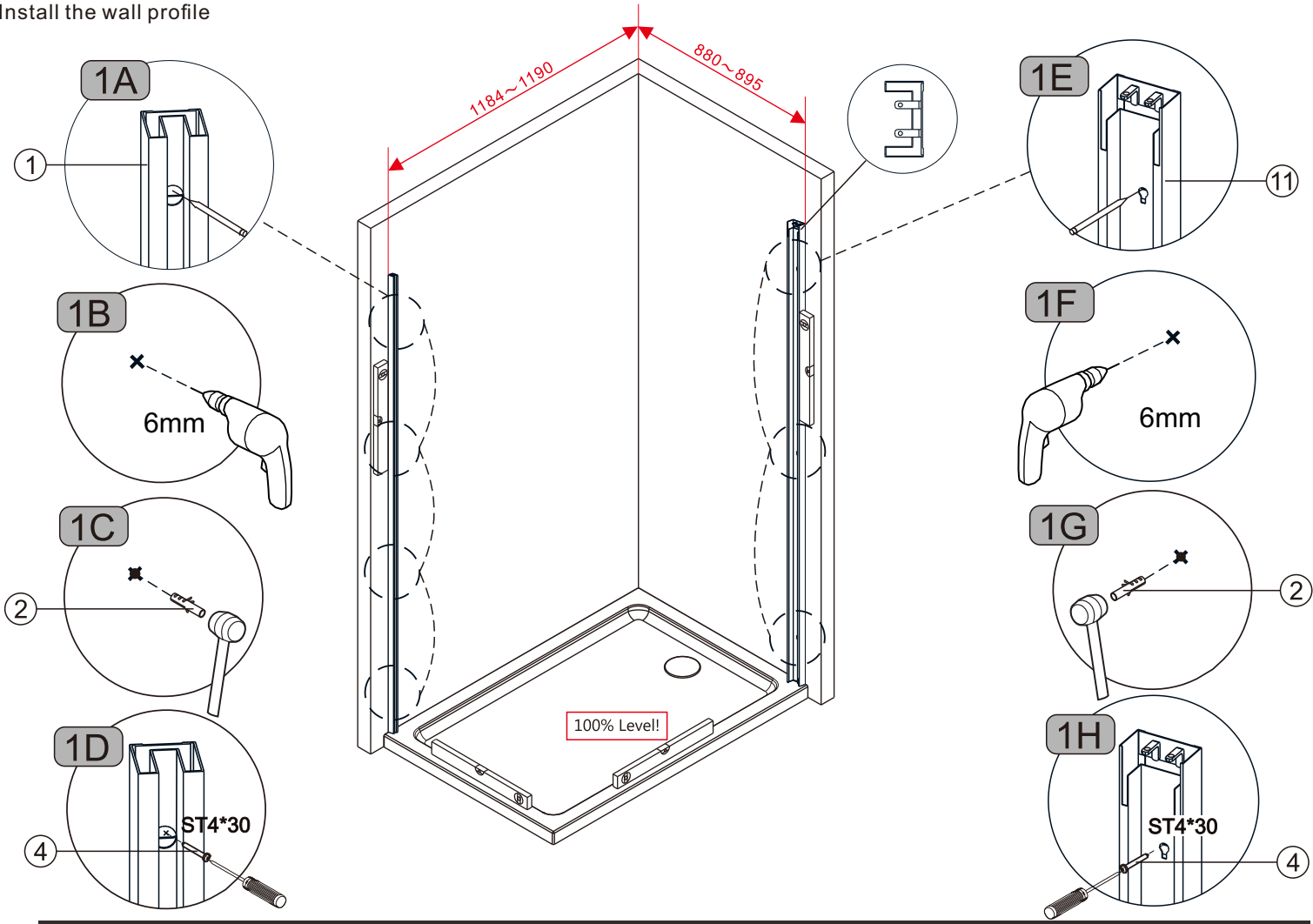
◆ Assembly Drawing



Item no.in exploded	Description	Q' TY	Item no.in exploded	Description	Q' TY
1	Wall Profile	1	11	Stainless Steel Wall Profile	1
2	Wall Plugs	7	12	Waterproof Strip	2
3	PVC Strip	1	13	Buffer Block	6
4	ST4*30 Screw	7	14	4-Wheel Clamp	4
5	Fixed Side Glass	1	15	Wall Profile On The Top Rail	1
6	Door Glass	2	16	M4*12 Screw	4
7	Bottom Waterproof Profile	1	17	Wrench	1
8	Guiding Rail	1	18	M2.5 Wrench	1
9	Handle	2	19	M3 Wrench	1
10	M4*10 Screw	2	20	Adhesive Strip Pressing Plate	1

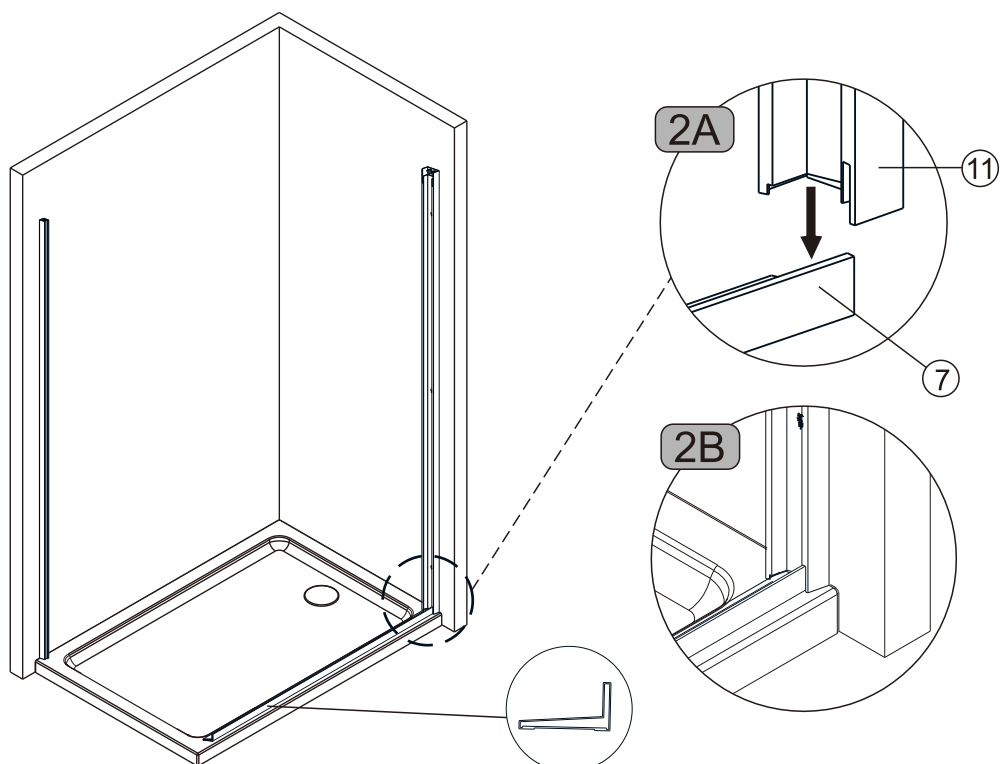
STAGE 1

Install the wall profile



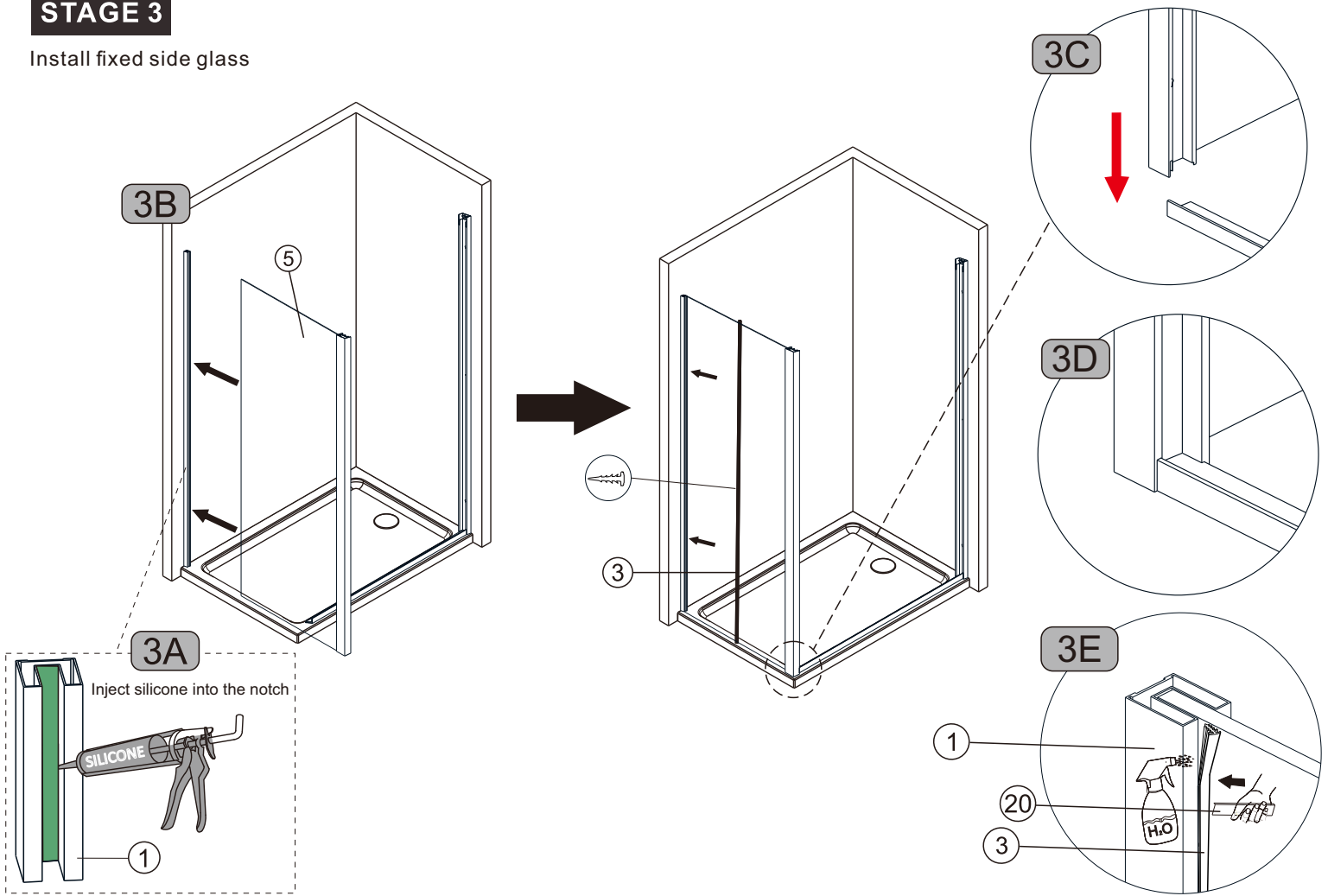
STAGE 2

Install bottom waterproof profile



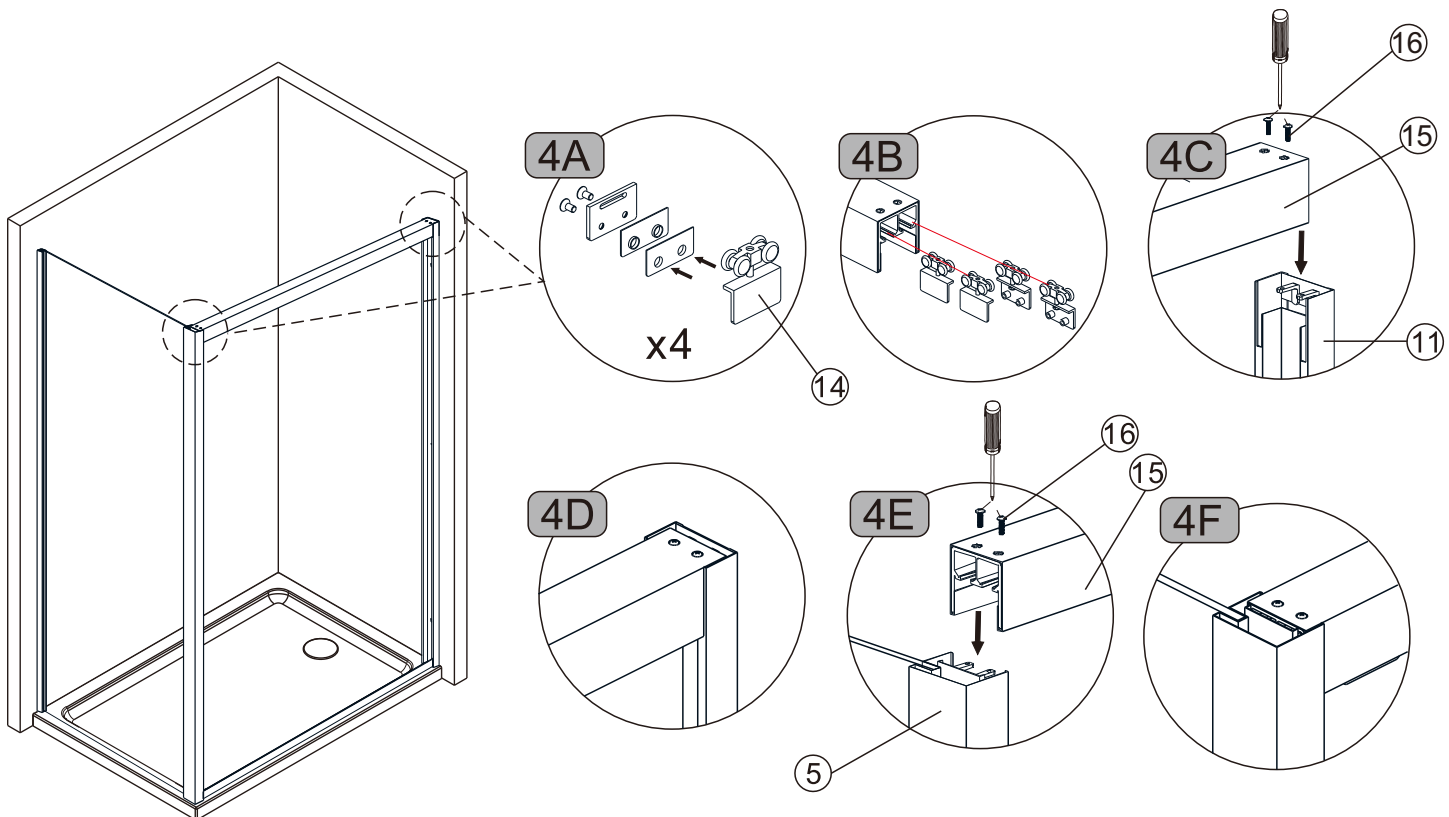
STAGE 3

Install fixed side glass



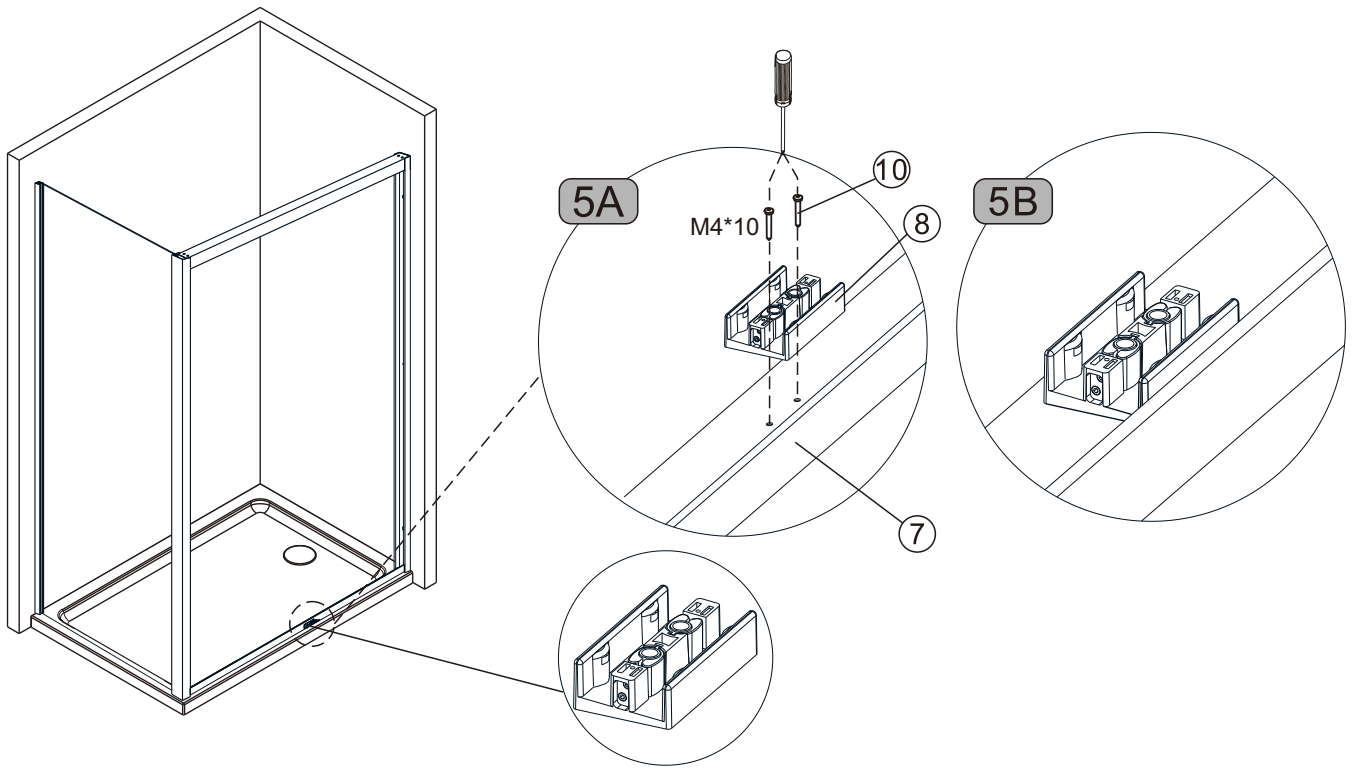
STAGE 4

Install wheel clamp and top rail



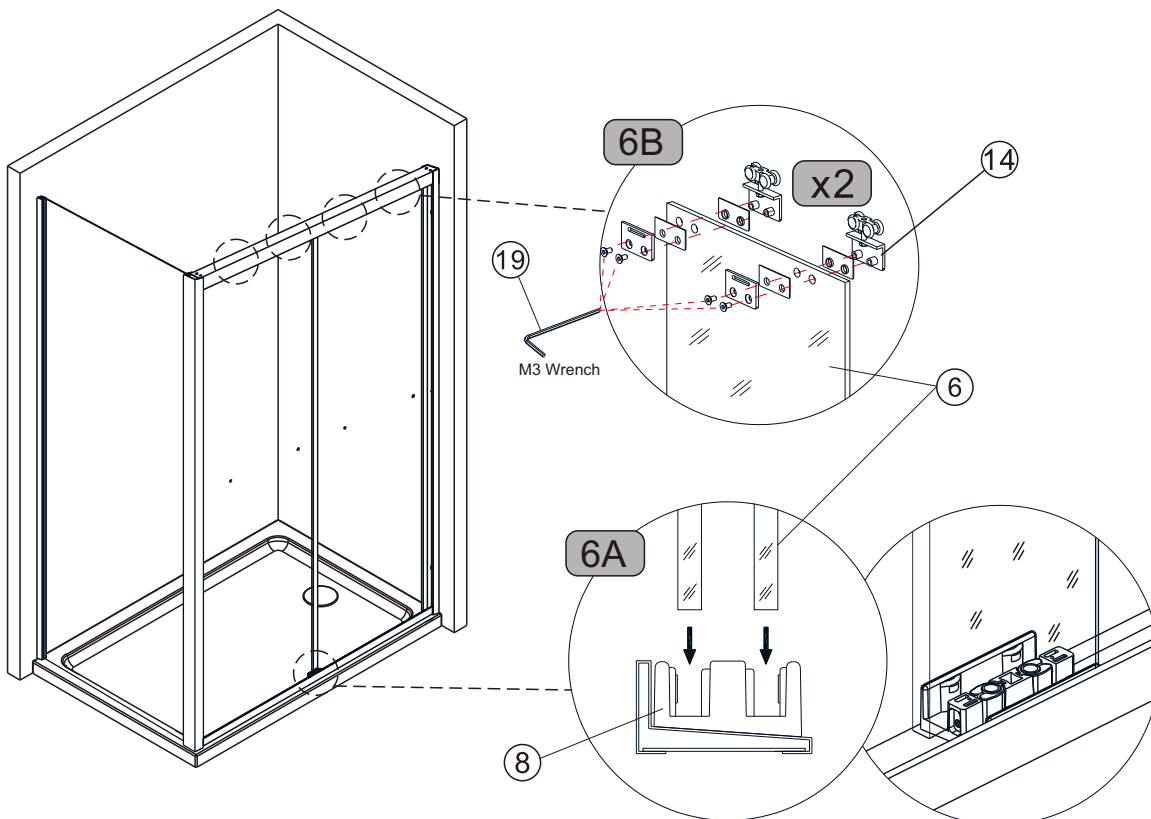
STAGE 5

Install the guide block to the decorative edge material under the fixed glass and lock it with screws



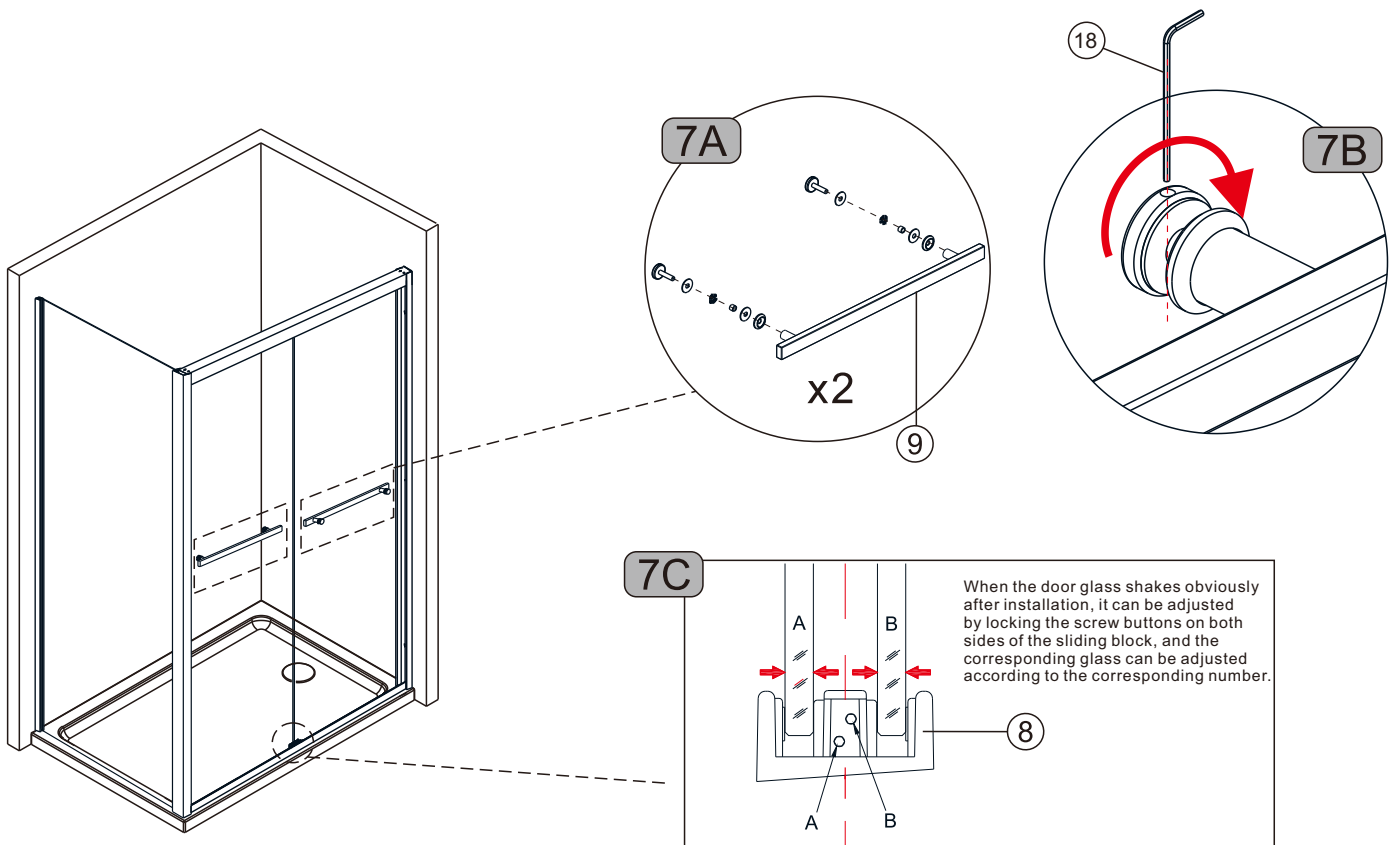
STAGE 6

Install door glass into wheel clamp and lock it with screws



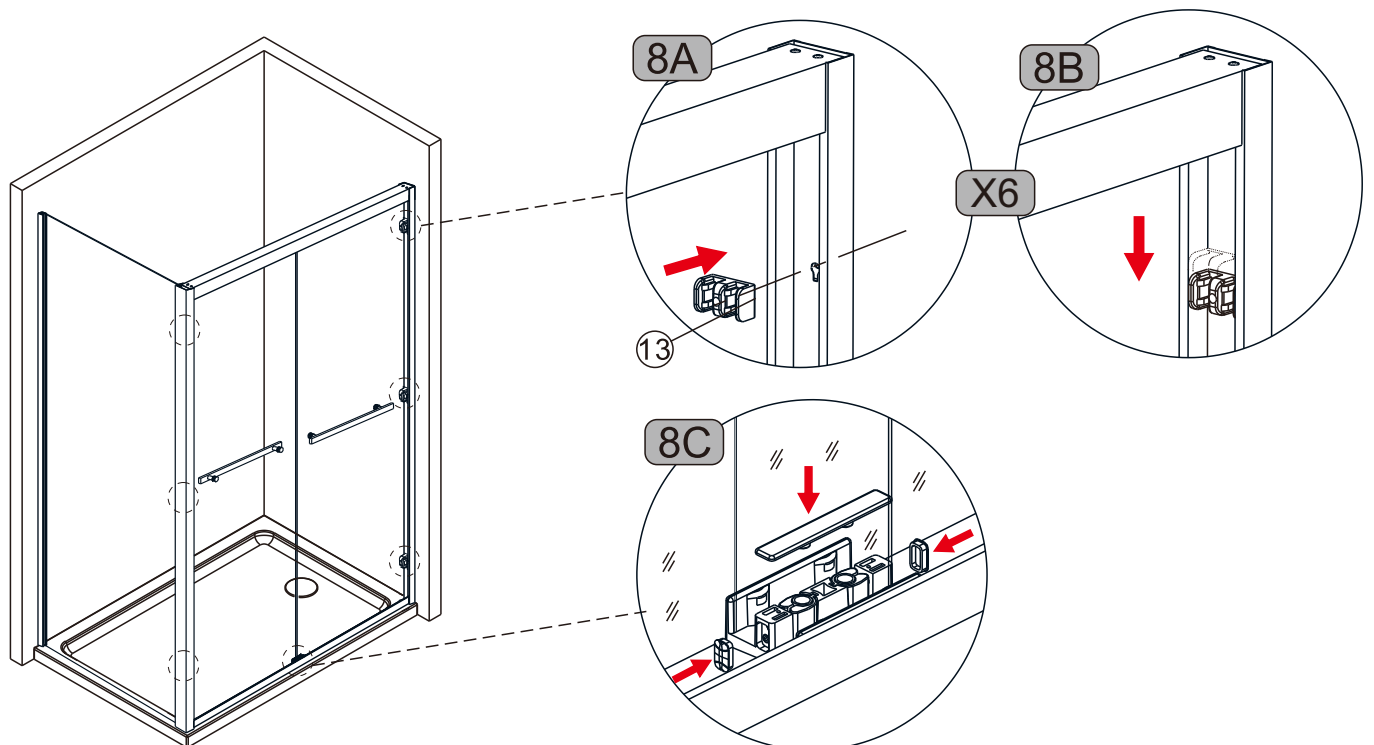
STAGE 7

Install handle



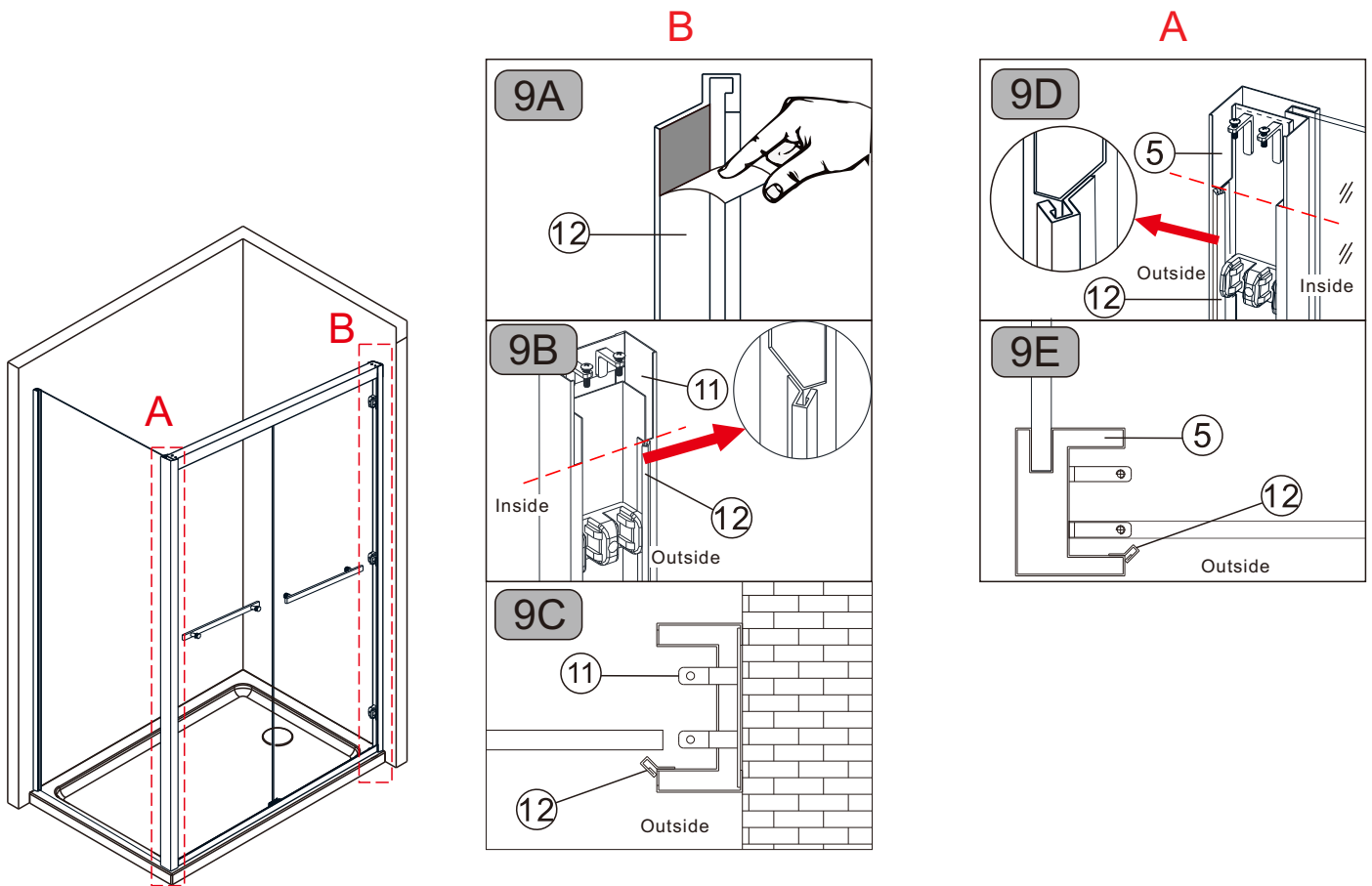
STAGE 8

Install Buffer Block



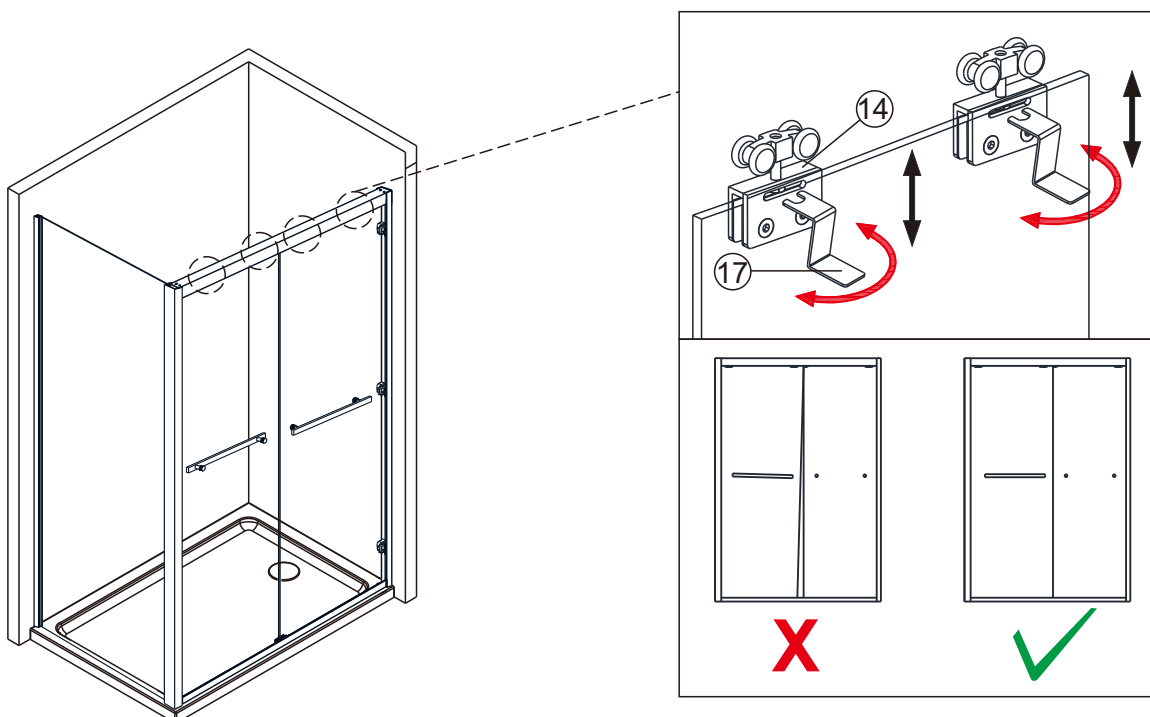
STAGE 9

Install PVC strip and Install waterproof strip



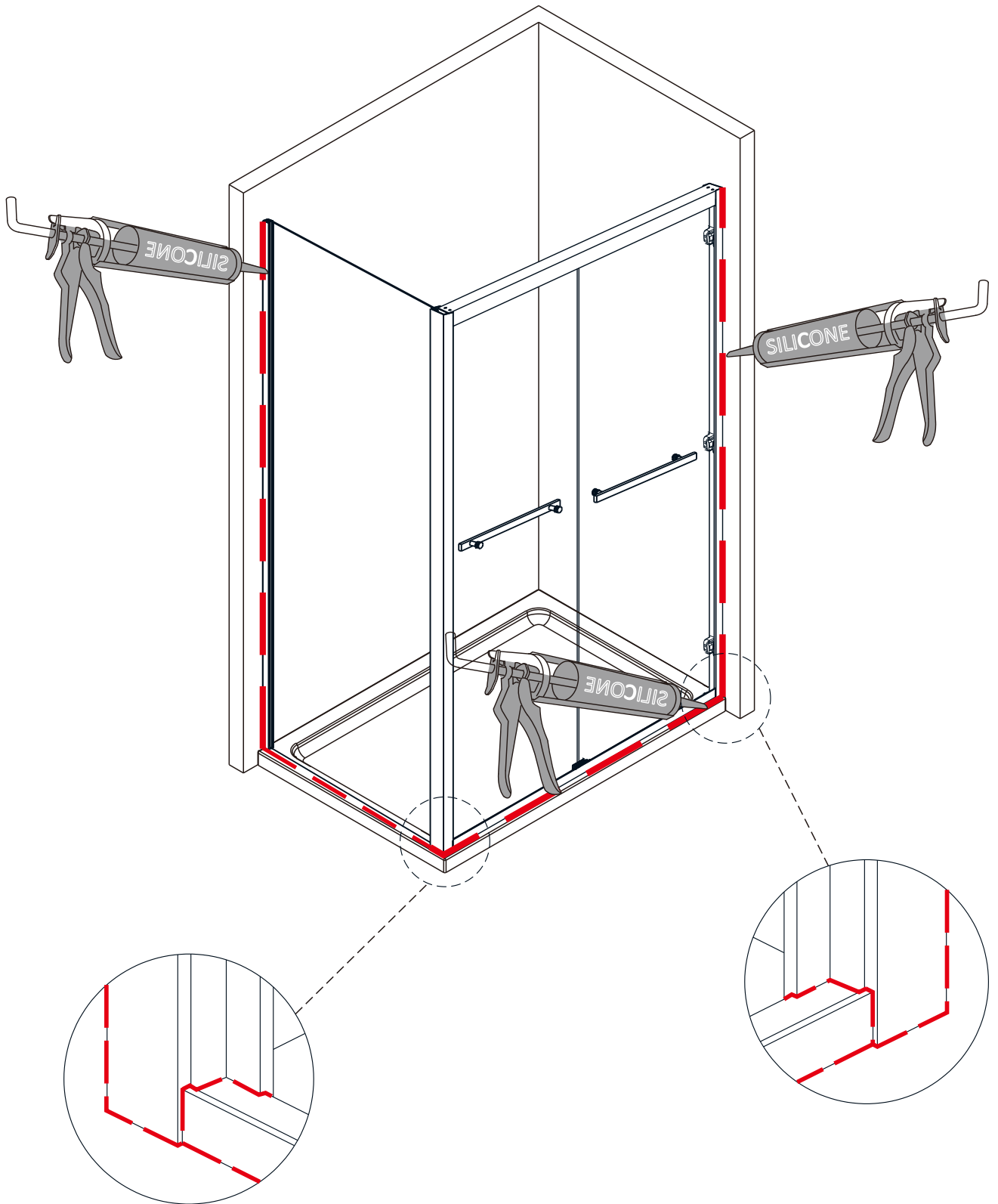
STAGE 10

Screw in the screws to adjust the glass height



STAGE 11

Add silicone



Allow 24 hours for silicone to dry before use.