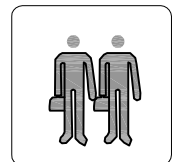
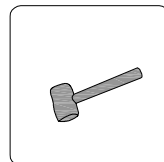
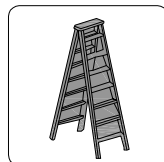
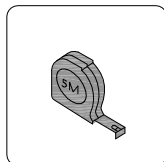
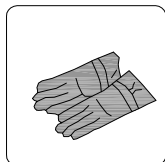
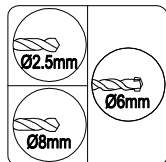
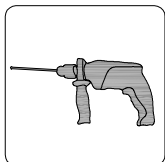
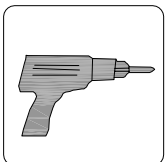
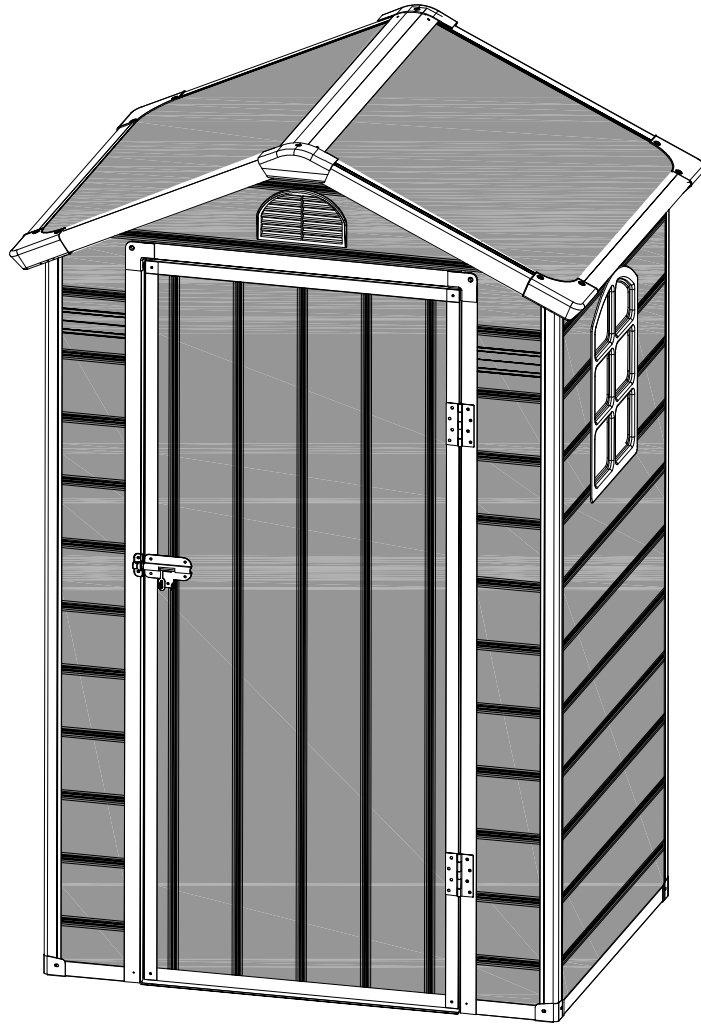
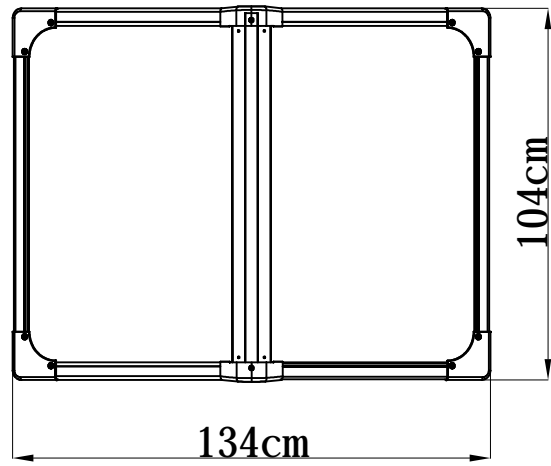
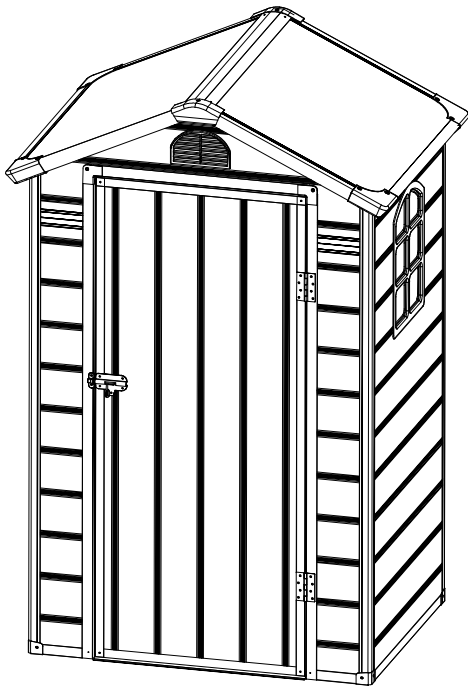
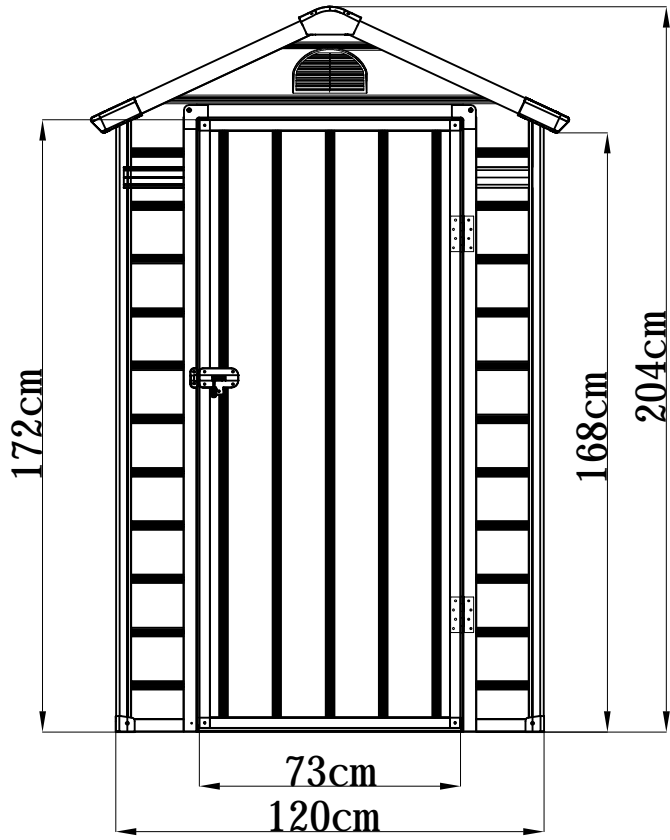
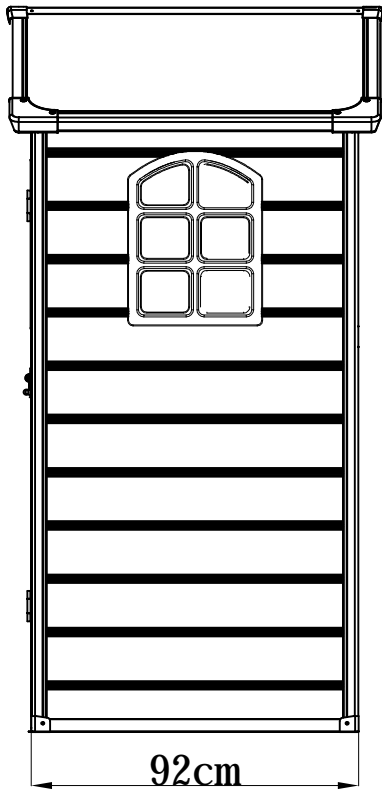




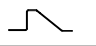









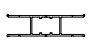




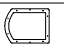





AVE-A 4x3

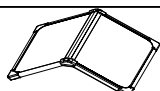

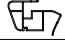
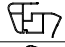


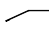


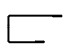
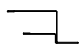












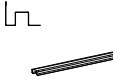
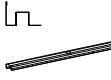
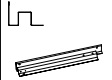
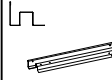
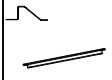
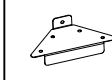

Safety Information and General Warnings

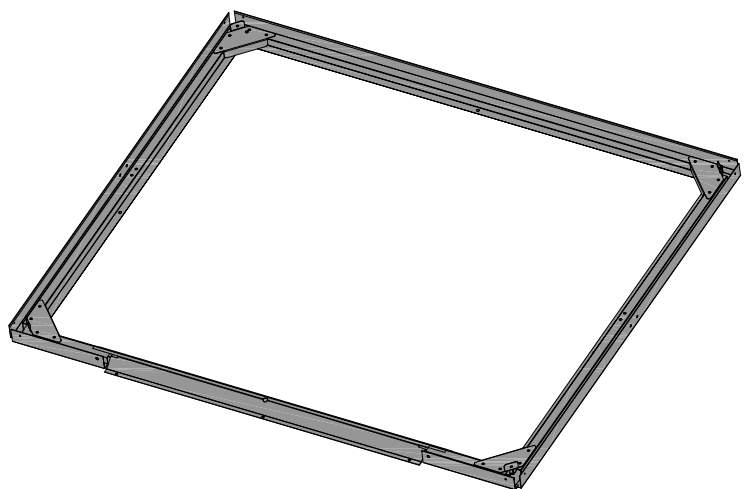
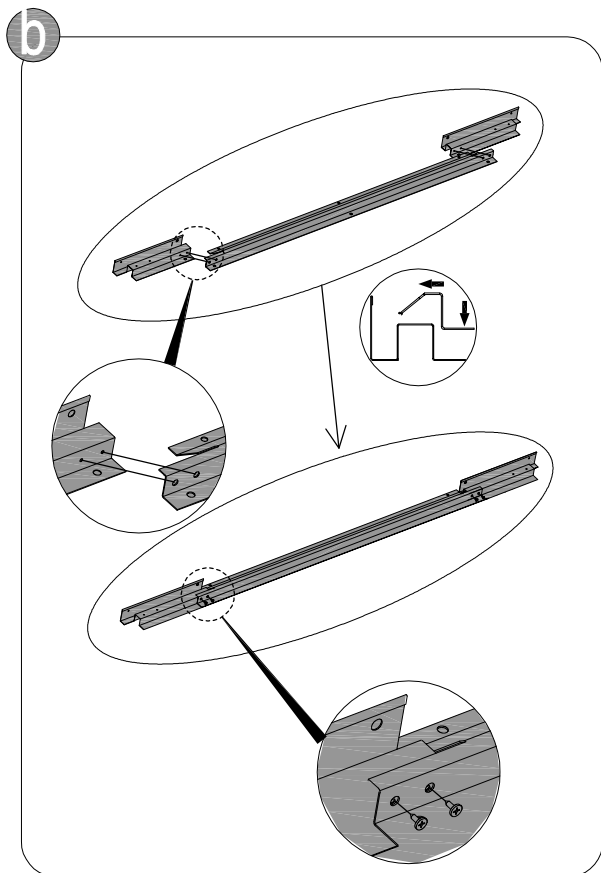
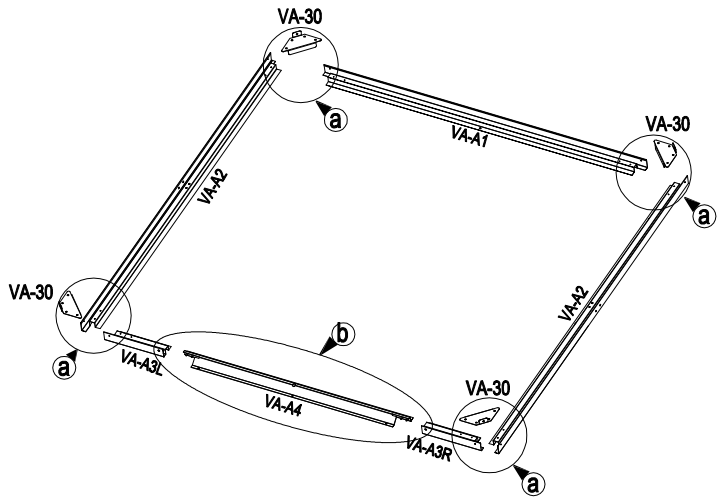
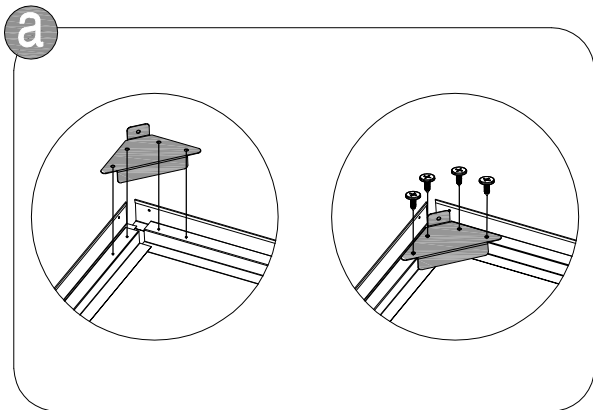
1. Read these instructions fully before starting to assemble the shed.
2. Check all parts are present before starting assembly.
3. The shed is for storage purposes only. It is not designed for living.
4. A minimum of two people are required to build this shed.
5. Assemble the shed in dry, calm conditions. Do not assemble in windy conditions. Keep doors closed and locked when the shed is not in use to prevent wind damage.
6. Always wear work gloves, goggles and long sleeves when assembling or performing any maintenance on your shed.
7. It is strongly recommended to secure the shed to a wooden or concrete base
8. Always remove fallen leaves from the roof as soon as possible to prevent them rotting and staining the roof. Keep the roof clear of accumulated snow. Large amounts of snow on the roof can damage the shed, making it unsafe to enter.
9. Do not store hot items, such as recently used grills and blowtorches, and volatile chemicals in the shed.
10. Avoid using a lawn mower or a machine scythe near the shed.



				
VA-A1		1185mm	x1	1/1
VA-A2		900mm	x2	1/1
VA-A3R		217mm	x1	1/1
VA-A3L		217mm	x1	1/1
VA-A4		830mm	x1	1/1
VA-30			x4	1/1
VA-31			x4	1/1
				
PA1		876X1740mm	x1	1/1
PA1S		876X1740mm	x1	1/1
PA2D		1160X448mm	x1	1/1
PA3D		1160X896mm	x1	1/1
PA5		205X1548mm	x2	1/1
PA4		1160X1100mm	x1	1/1
VA-A8		1155mm	x1	1/1
VA-A9		200mm	x2	1/1
VA-A11		1155mm	x1	1/1
VA-A12		200mm	x2	1/1
VA-A7R		1760mm	x2	1/1
VA-A7L		1760mm	x2	1/1
PPX12			x1	1/1
W2S			x1	1/1
PPX13			x1	1/1
VA-32R			x2	1/1
VA-32L			x2	1/1
PPX14			x2	1/1
PPX8			x2	1/1
PPX9			x2	1/1

				
PA6-A		985X1433mm	x1	1/1
VA-A21		600mm	x4	1/1
VA-A22		825mm	x2	1/1
PPX3			x4	1/1
PPX4			x2	1/1
VA-A24		1020mm	x1	1/1
				
PA7S		735X1710	x1	1/1
VA-A27		1712	x2	1/1
VA-A28		735	x2	1/1
VA-A25R		1730	x1	1/1
VA-A25L		1730	x1	1/1
VA-A26		748	x1	1/1
VA-41			x2	1/1
VA-40			x1	1/1
CN-A33			x2	1/1
PA01			x3	1/1
VA-A44		ST4.2x13mm	x115	1/1
VA-A45		ST4.2x19mm	x87	1/1
VA-A46		ST4.2x13mm	x6	1/1
VA-A47		ST4.2x19mm	x4	1/1
VA-A48		ST6.0x40mm	x5	1/1
VA-51			x1	1/1

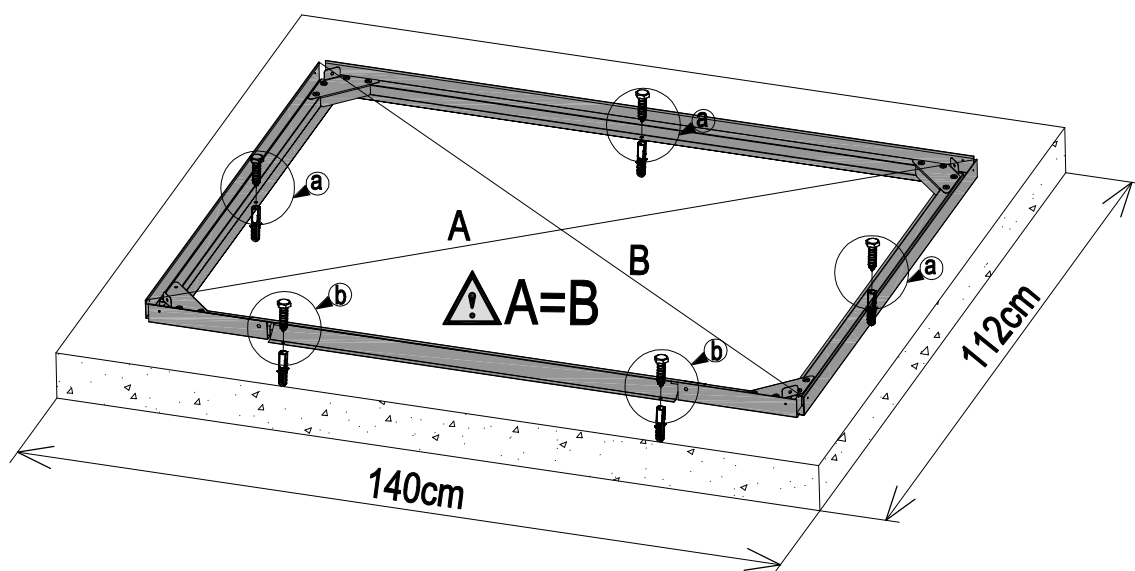
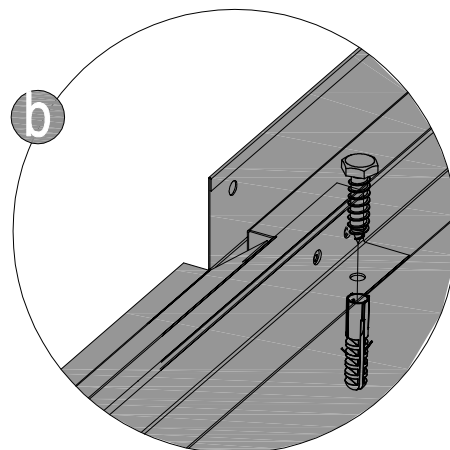
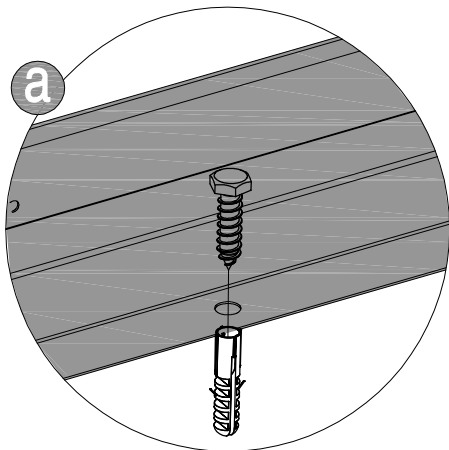
1	 VA-A1 [x1] 1185mm	 VA-A2 [x2] 900mm	 VA-A3L [x1] 217mm	 VA-A3R [x1] 217mm	 VA-A4 [x1] 830mm	 VA-30 [x4]	 VA-A44 [x20] 20mm	
----------	---	--	---	---	--	---	--	--

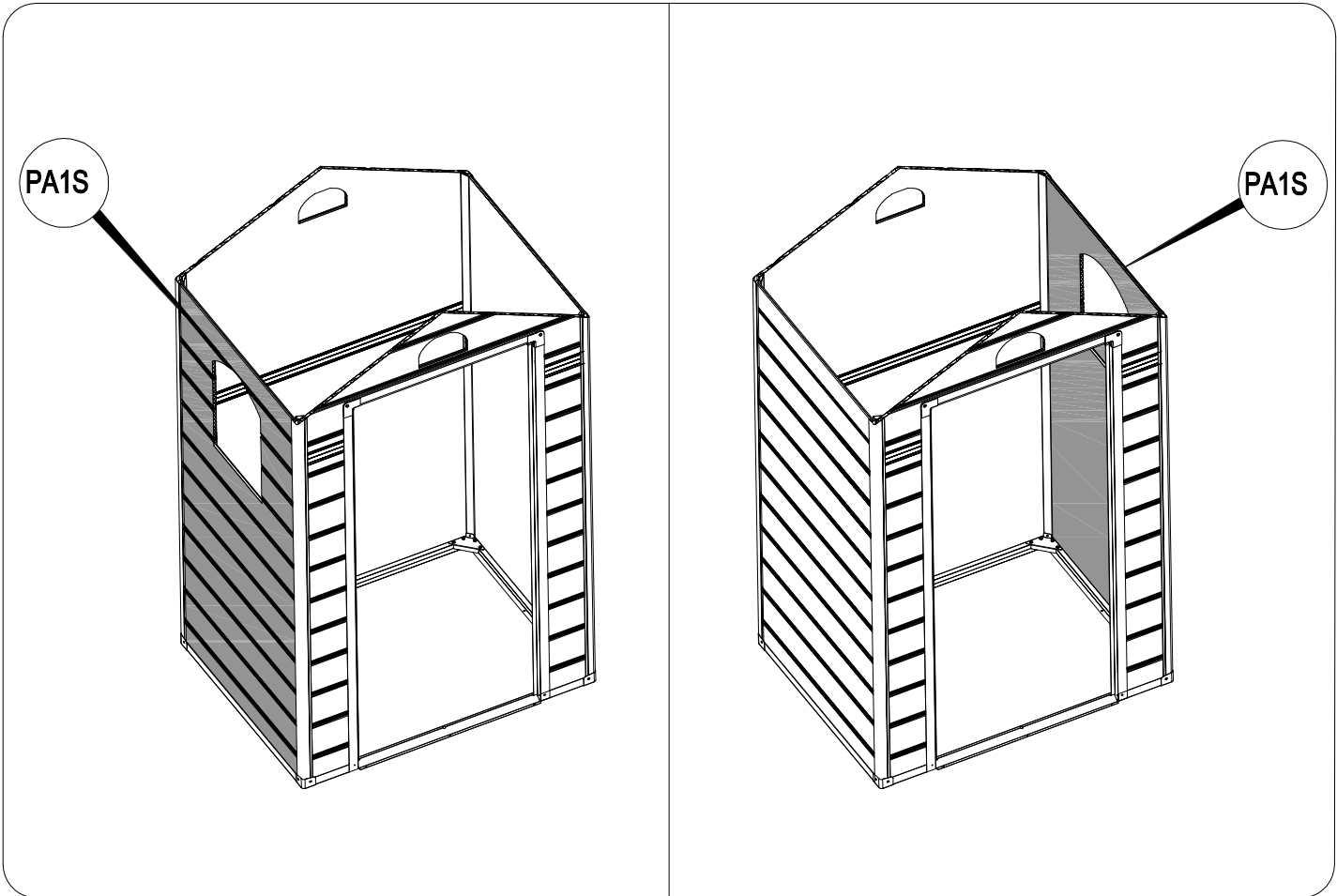



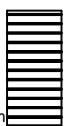


2

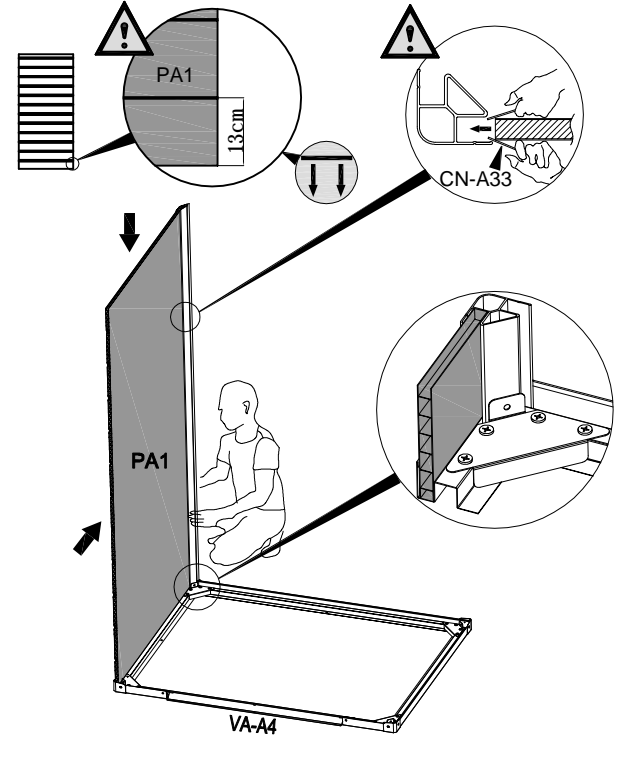
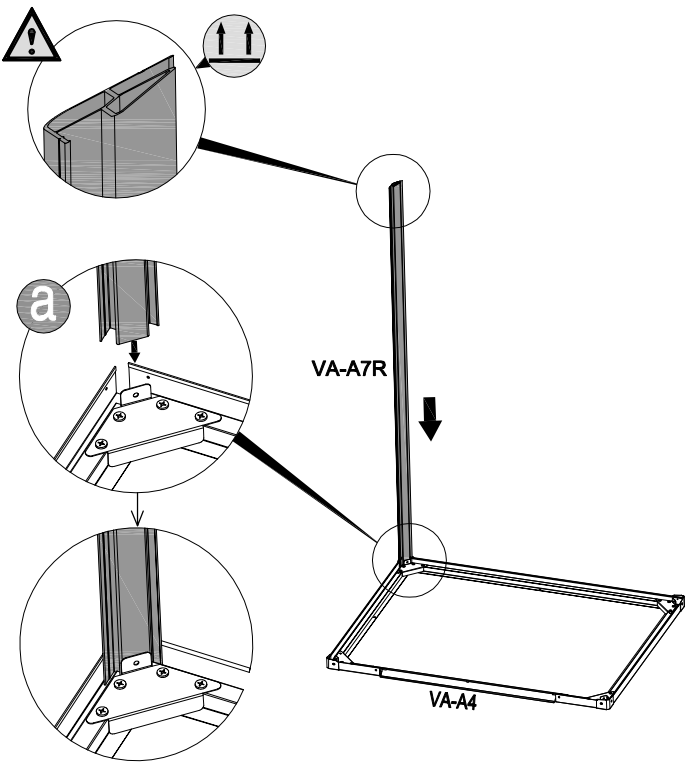



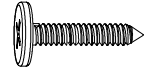
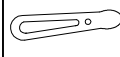
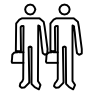
VA-A48 [x5]

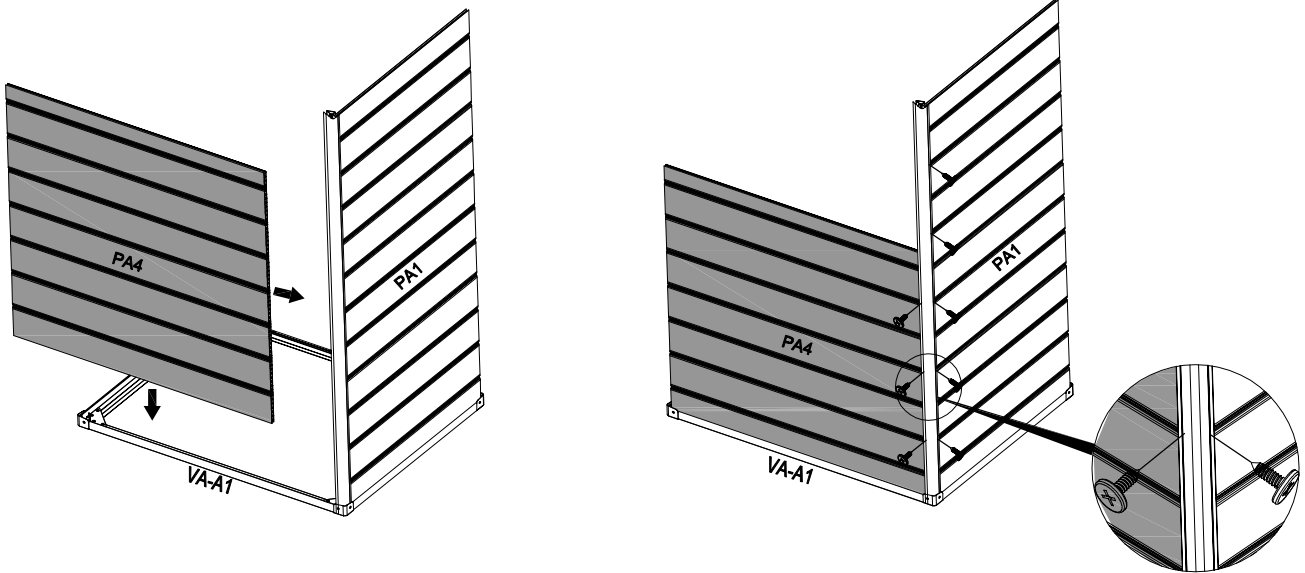




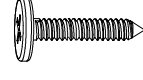




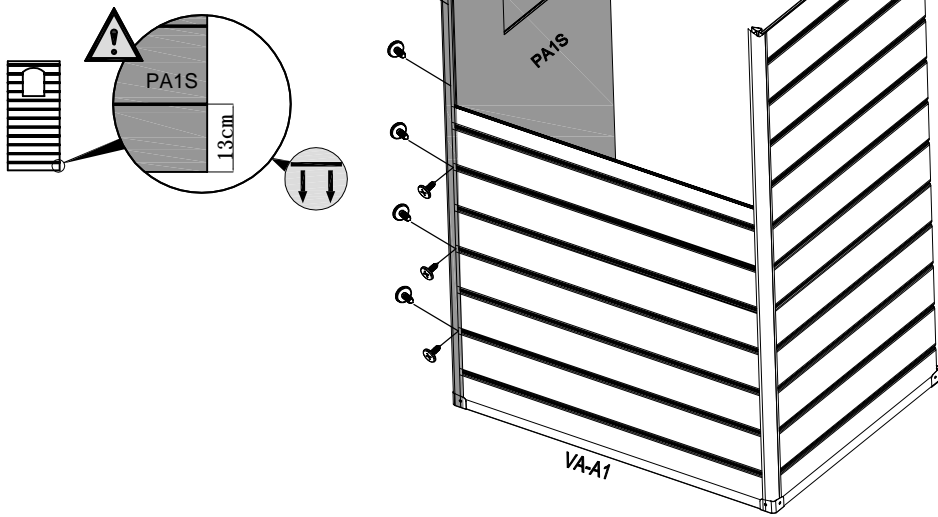
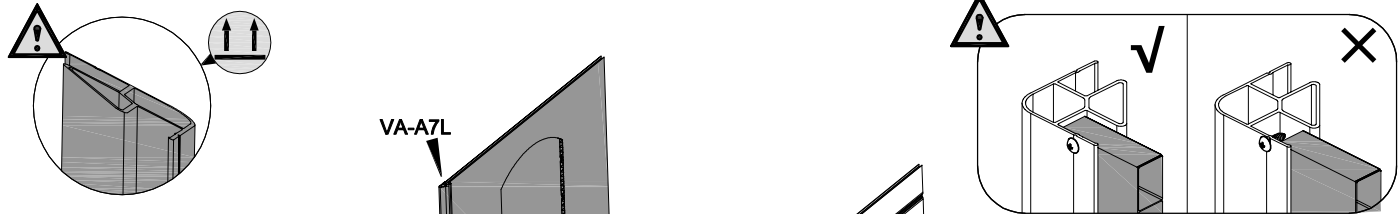
<p>3</p>	 <p>VA-A7R [x1] 1760mm</p>	 <p>PA1 [x1] 876x1740mm</p>	 <p>CN-A33</p>	
-----------------	---	--	---	---








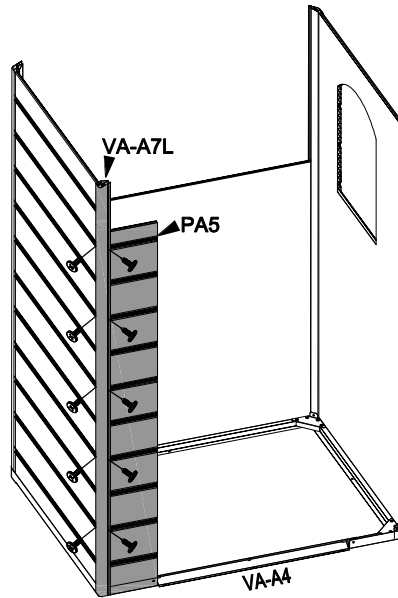
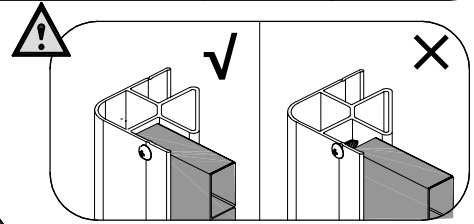
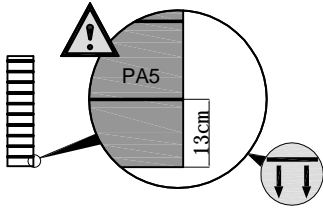
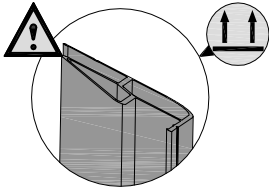
4	 PA4 [x1] 1160x1100mm	 VA-A45 [x8] 19mm	 CN-A33	
----------	--	--	---	---








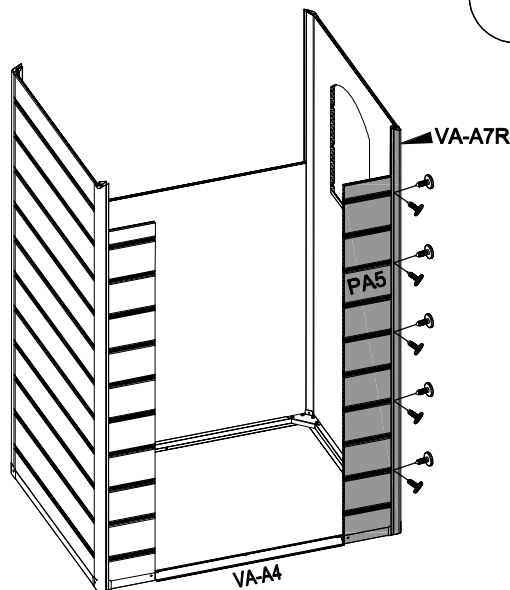
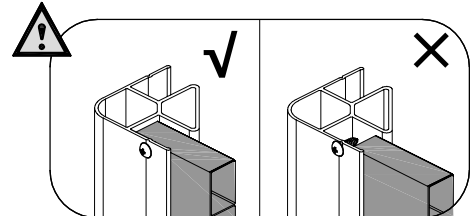
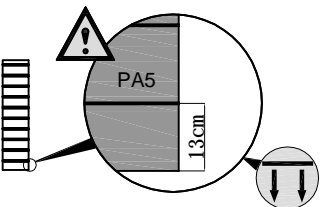
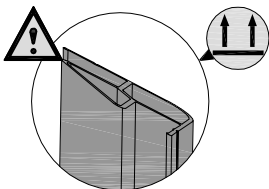
5	 VA-A7L [x1] 1760mm	 PA1S [x1] 876x1740mm	 VA-A45 [x8] 19mm	 CN-A33	
----------	--	--	--	--	---



6	 VA-A7L [x1] 1760mm	 PA5 [x1] 205x1548mm	 VA-A45 [x10] 19mm	 CN-A33	
---	--	---	---	---	---



7	 VA-A7R [x1] 1760mm	 PA5 [x1] 205x1548mm	 VA-A45 [x10] 19mm	 CN-A33	
---	--	---	---	---	---



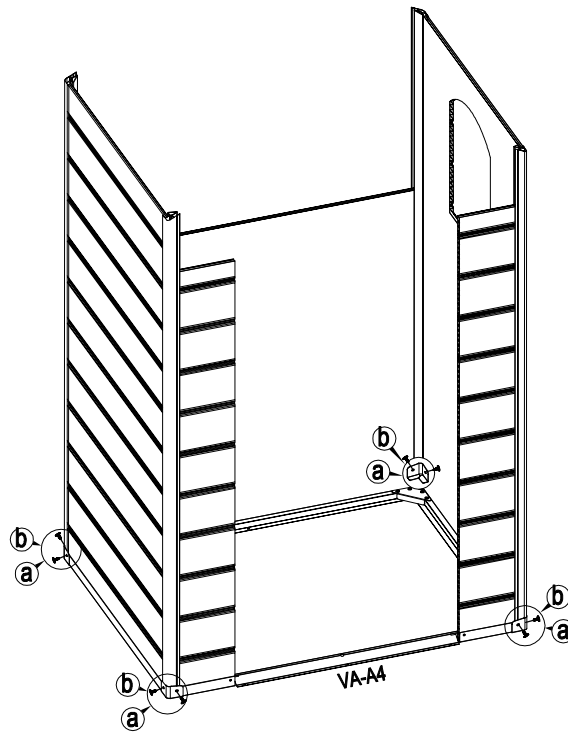
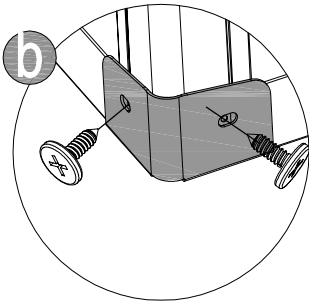
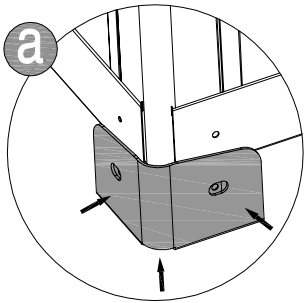
8



VA-31 [x4]



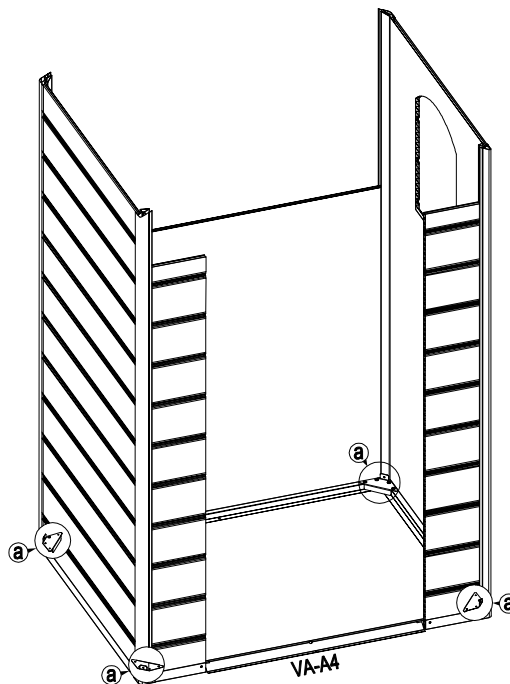
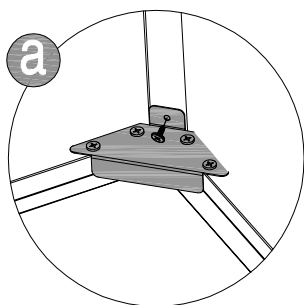
VA-A44 [x8]
13mm



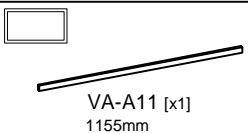
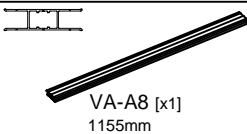
9



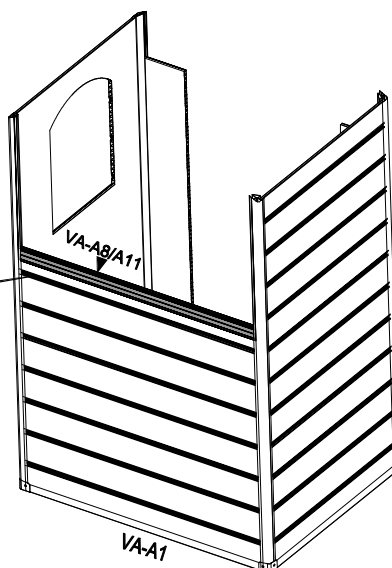
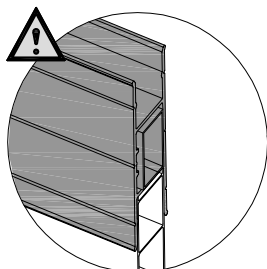
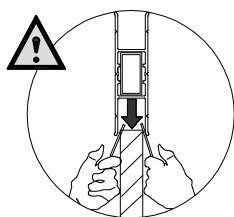
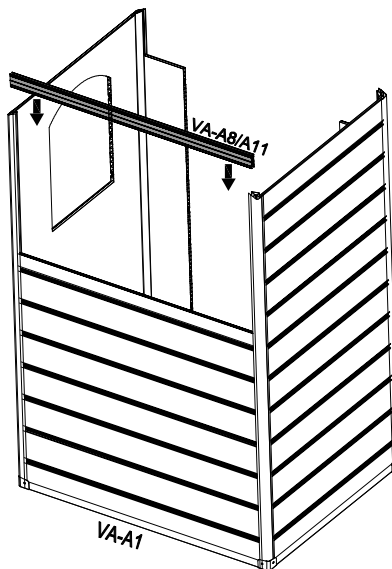
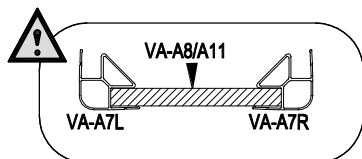
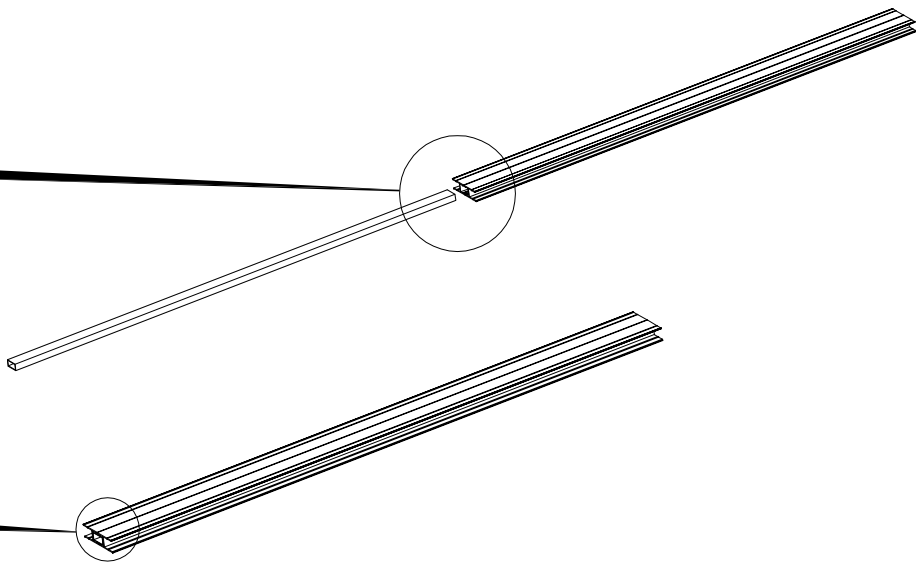
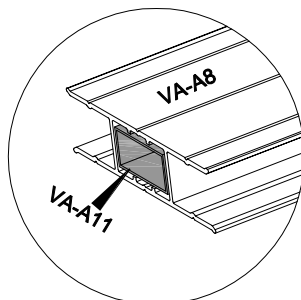
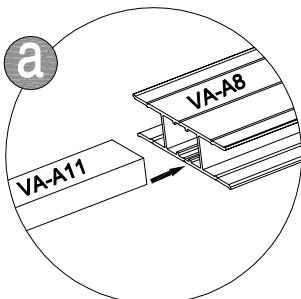
VA-A44 [x4]
13mm


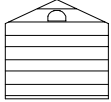





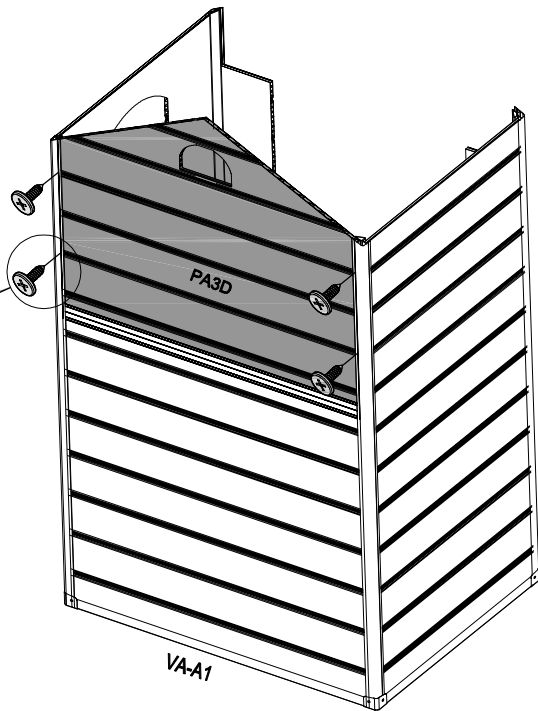
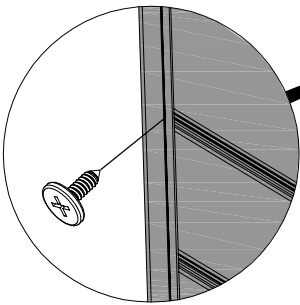
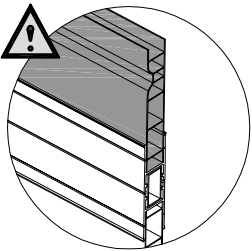
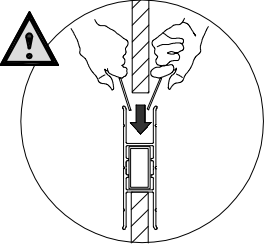
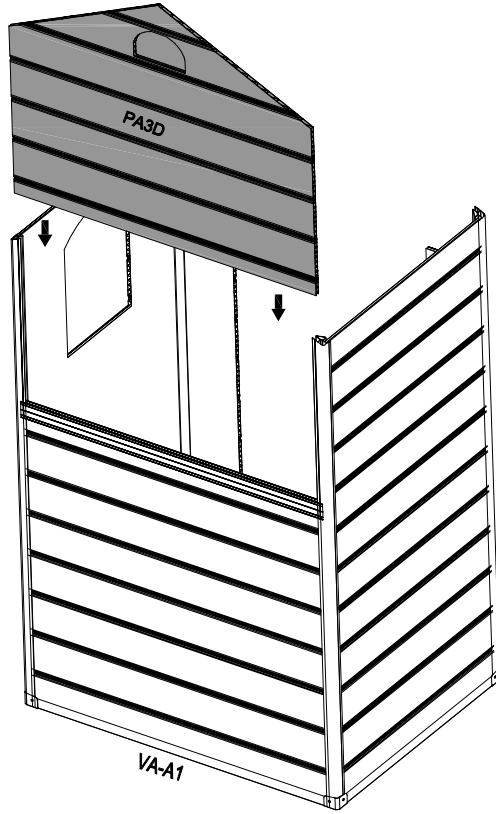
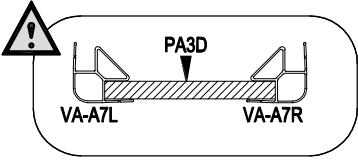
10

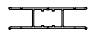


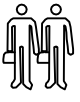


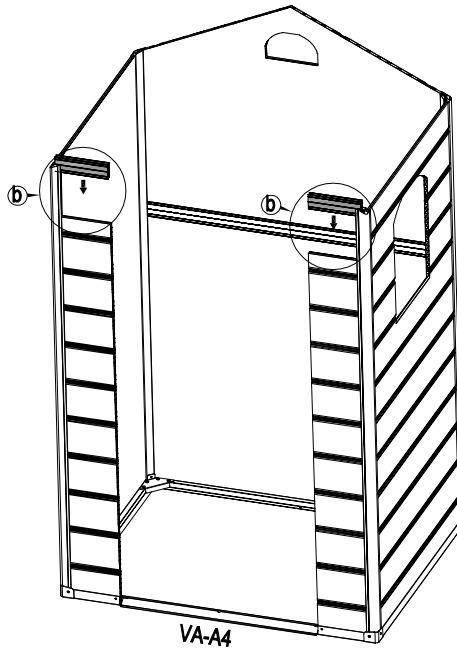
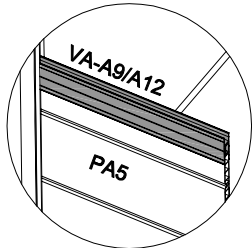
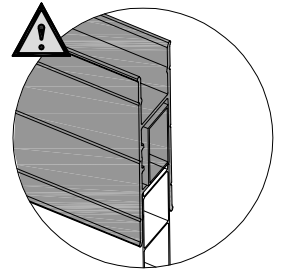
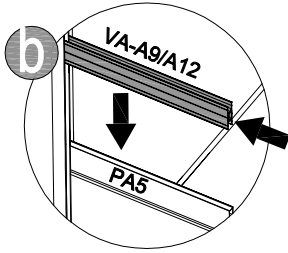
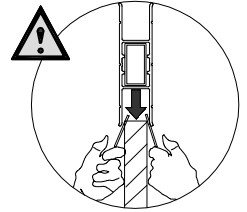
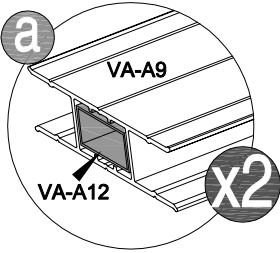
a

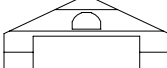






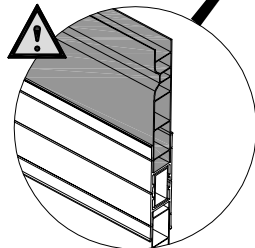
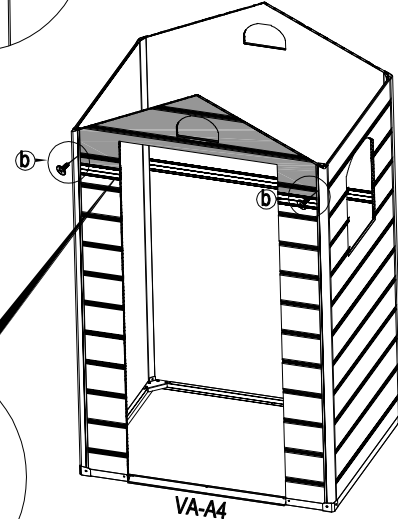
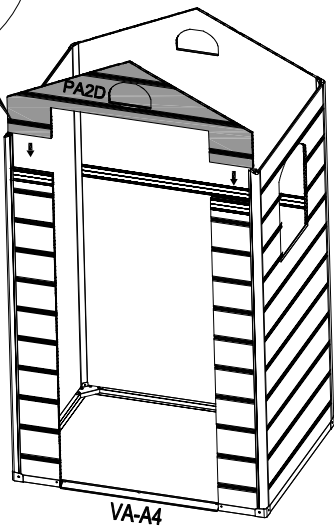
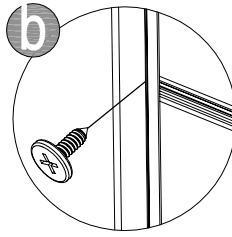
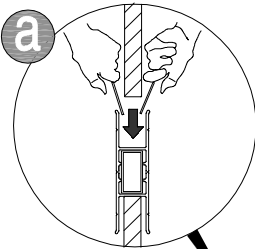
	 <p>PA3D [x1] 1160x896mm</p>	 <p>VA-A45 [x4] 19mm</p>	 <p>CN-A33</p>		
---	---	---	---	--	---

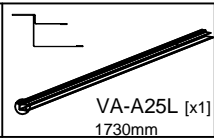
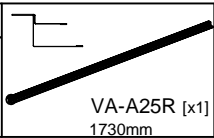
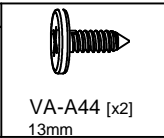


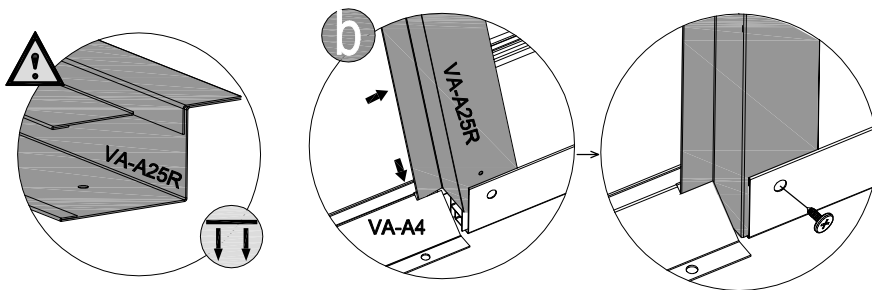
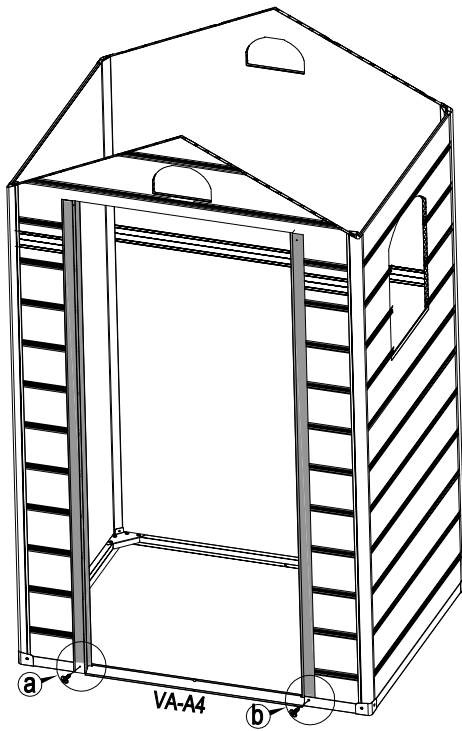
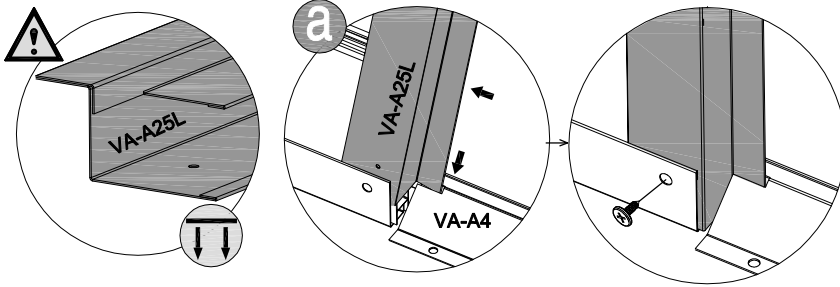
12					
	VA-A9 [x2] 200mm	VA-A12 [x2] 200mm			



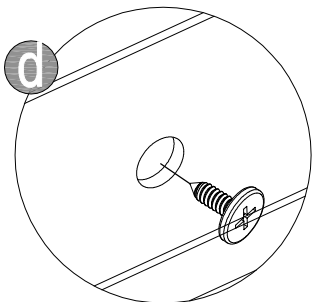
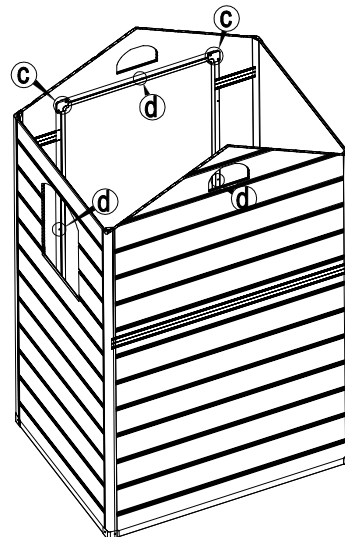
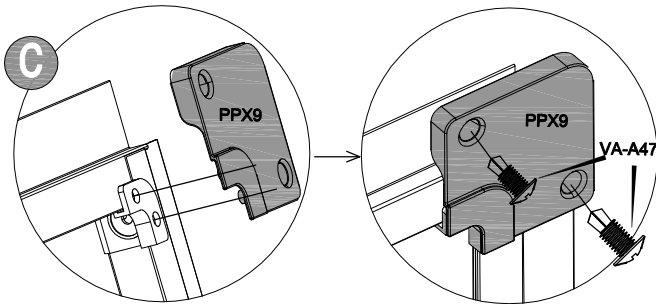
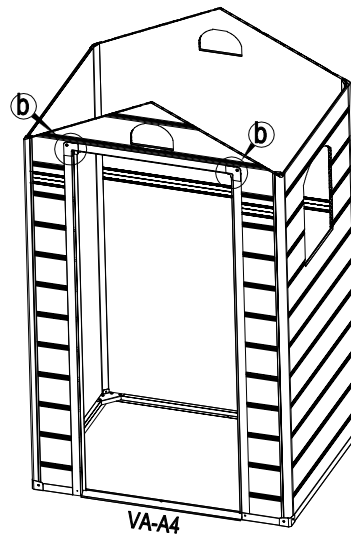
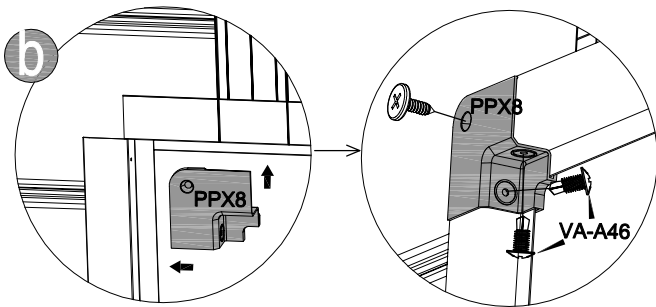
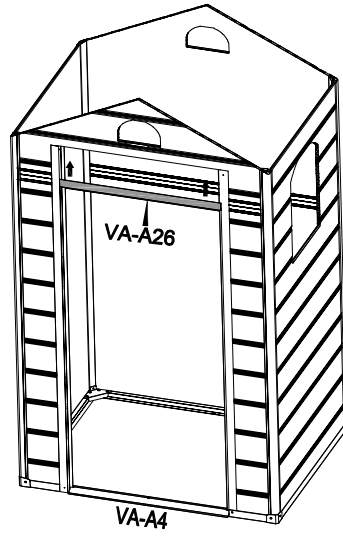
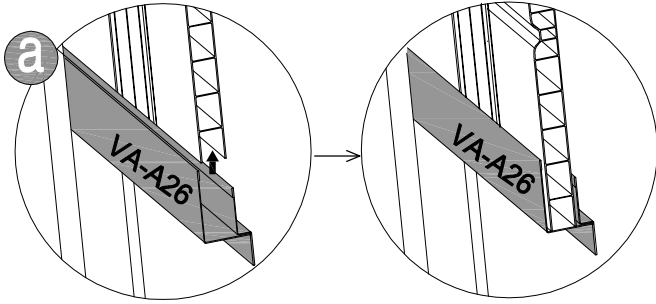
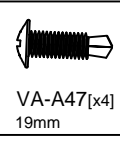
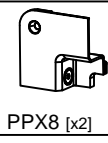
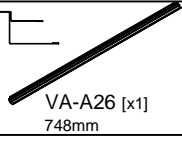
13					
	PA2D [x1] 1160x448mm	VA-A45 [x2] 19mm	CN-A33		






14	 VA-A25L [x1] 1730mm	 VA-A25R [x1] 1730mm	 VA-A44 [x2] 13mm	
----	---	---	--	--

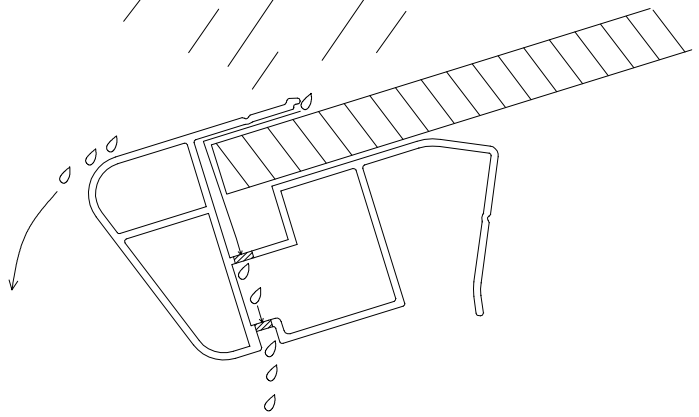
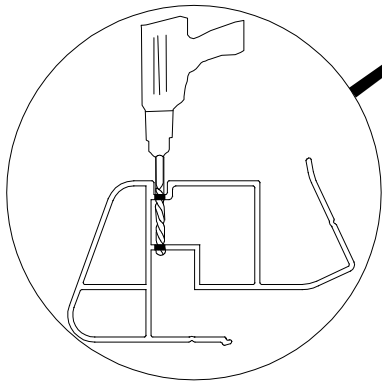
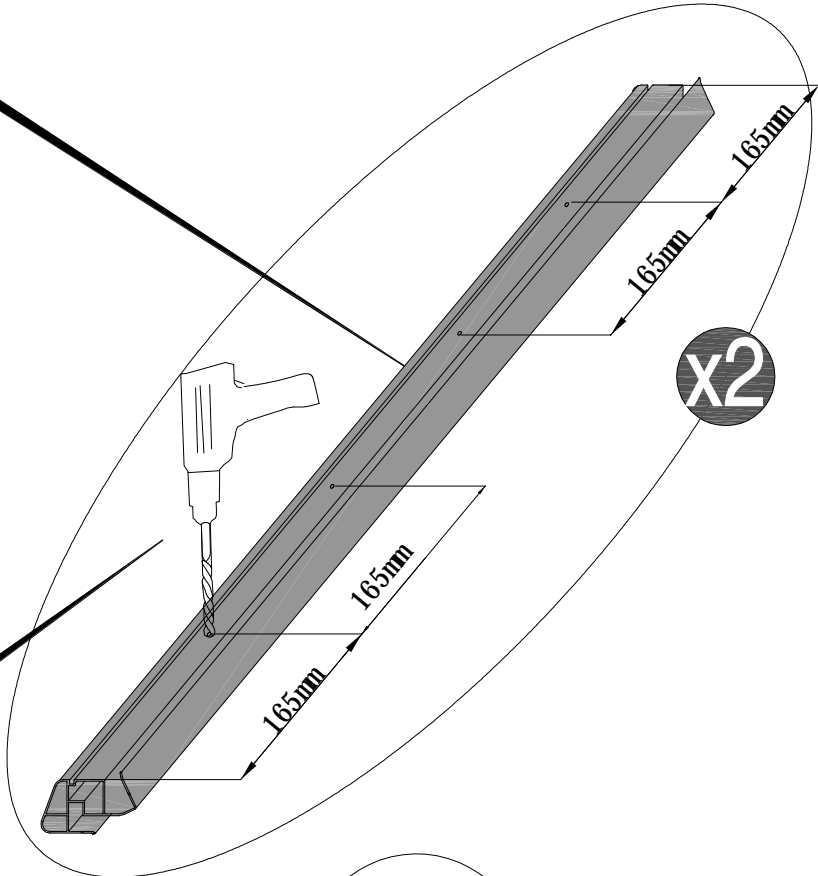


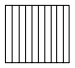
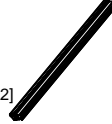

15

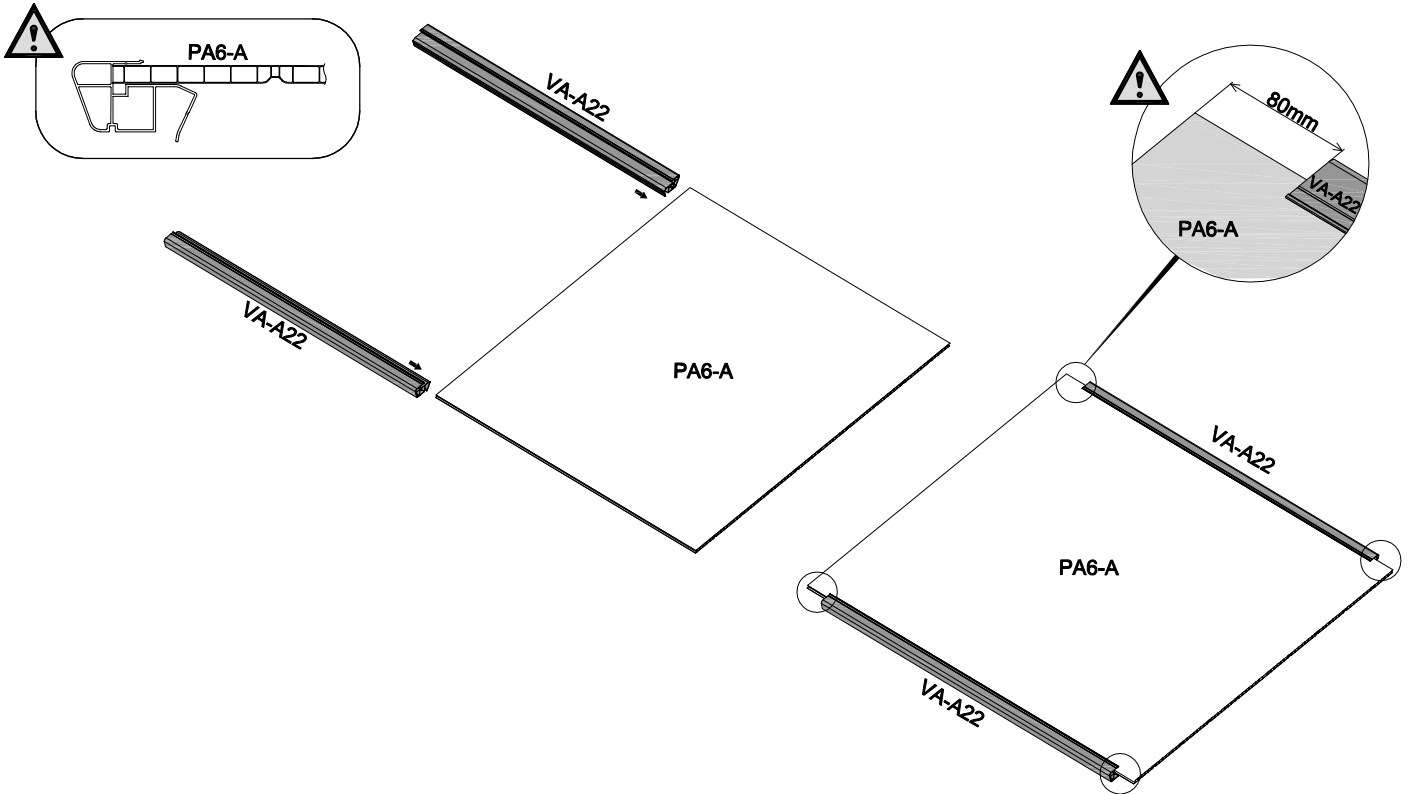




16	 VA-A22 [x2] 825mm	 Ø8mm		
----	---	---	--	--

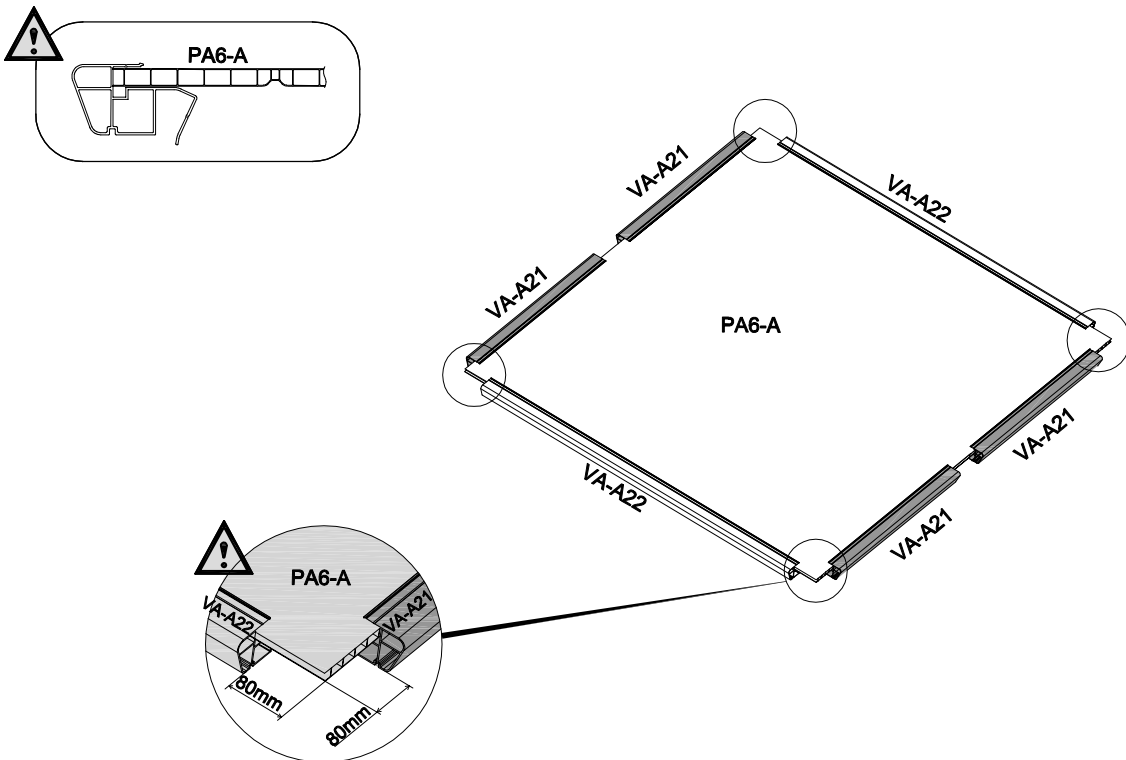
 VA-A22 [x2] 825mm	 VA-A21 [x4] 600mm
--	---



17	 PA6-A [x1] 985x1433mm	 VA-A22 [x2] 825mm	 CN-A33
-----------	---	---	---



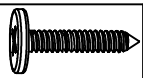
18	 VA-A21 [x4] 600mm	 CN-A33
-----------	---	---



19



PPX3[x4]



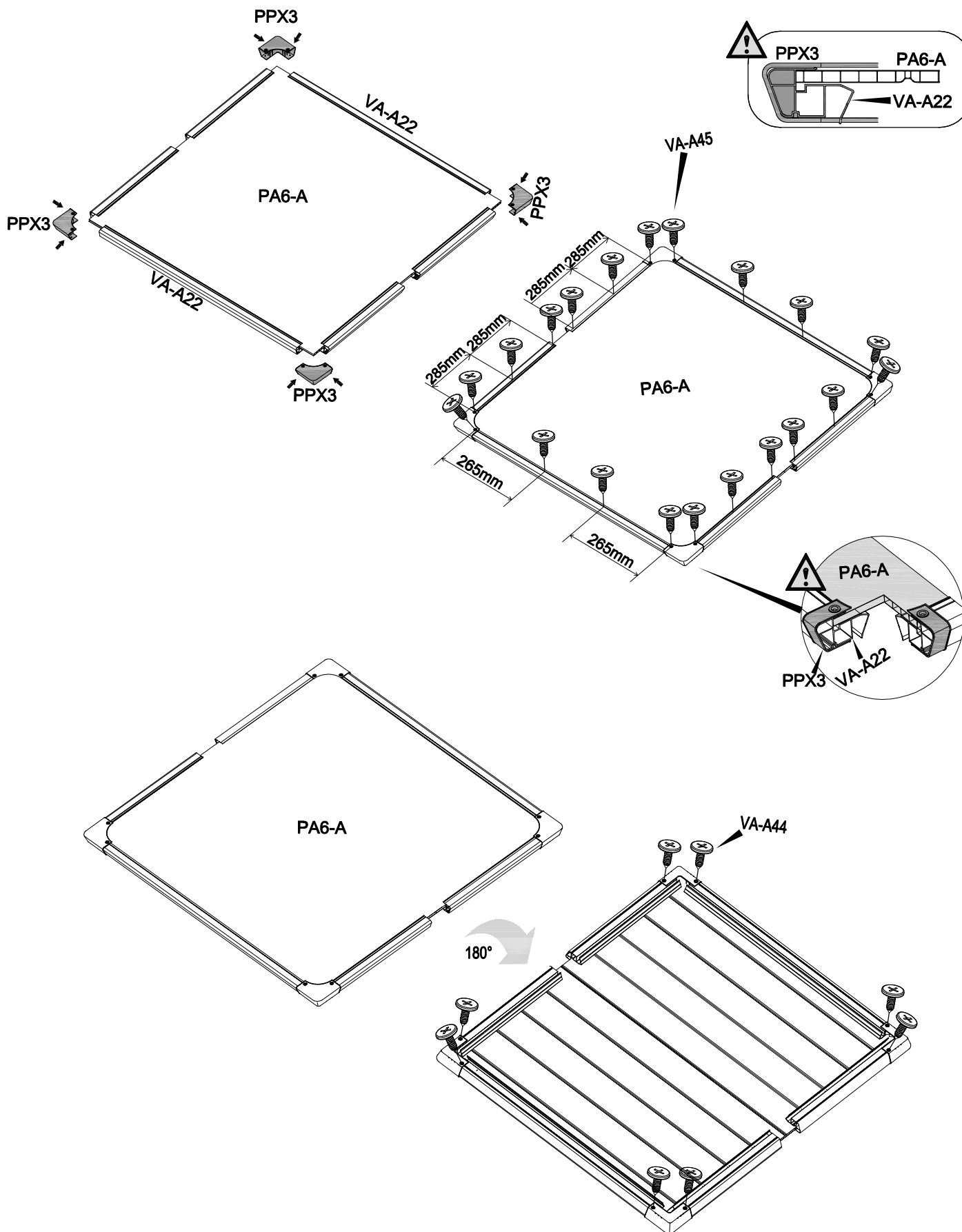
VA-A45 [x20]
19mm



VA-A44 [x8]
13mm



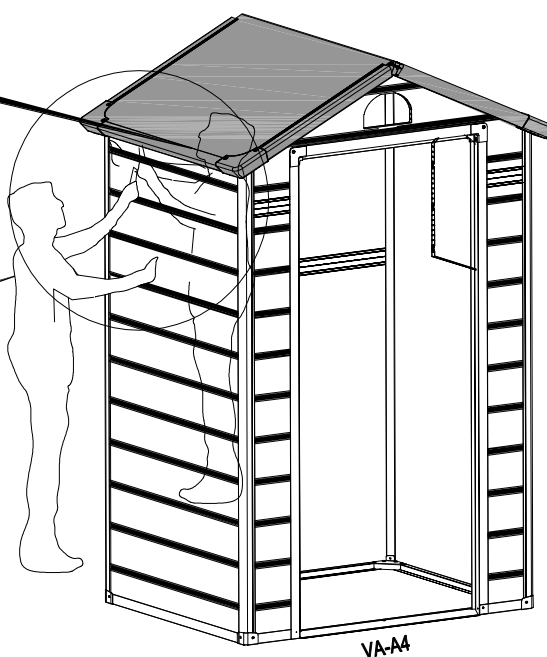
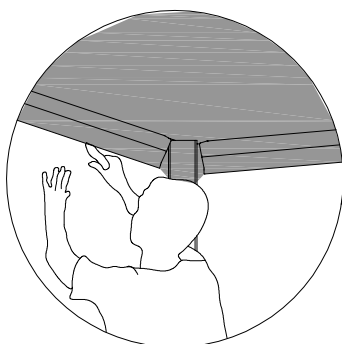
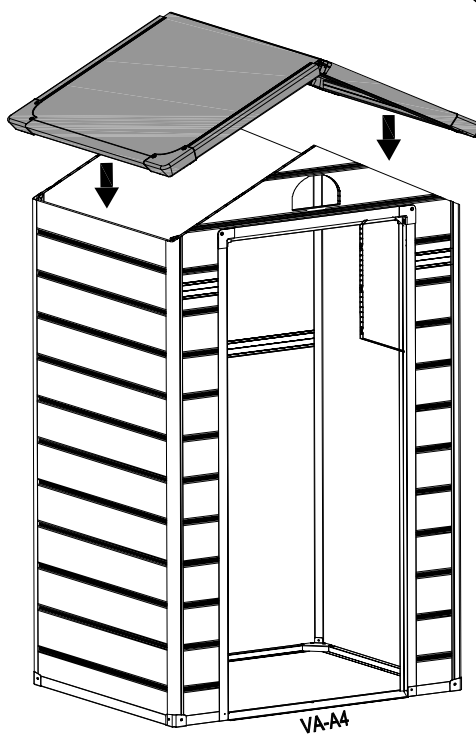
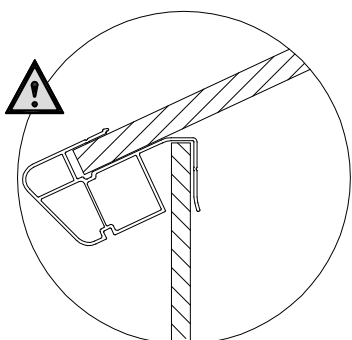
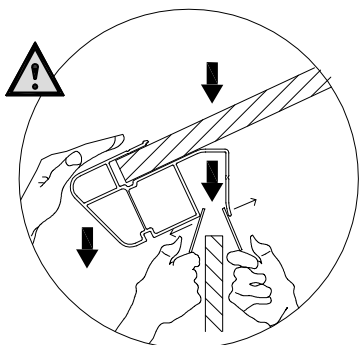
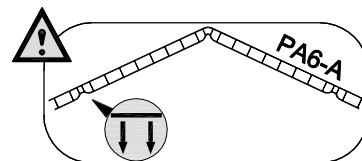
CN-A33



20



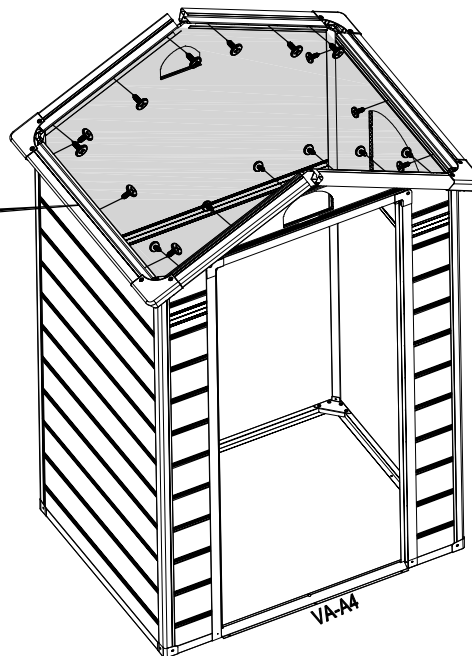
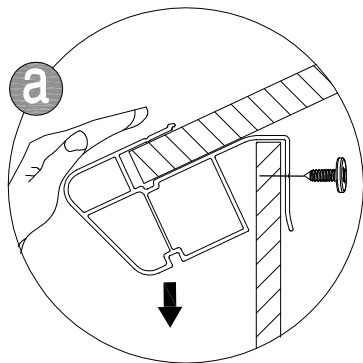
CN-A33



21



VA-A45 [x18]
19mm



22



VA-A24 [x1]
1020mm



PPX4 [x2]



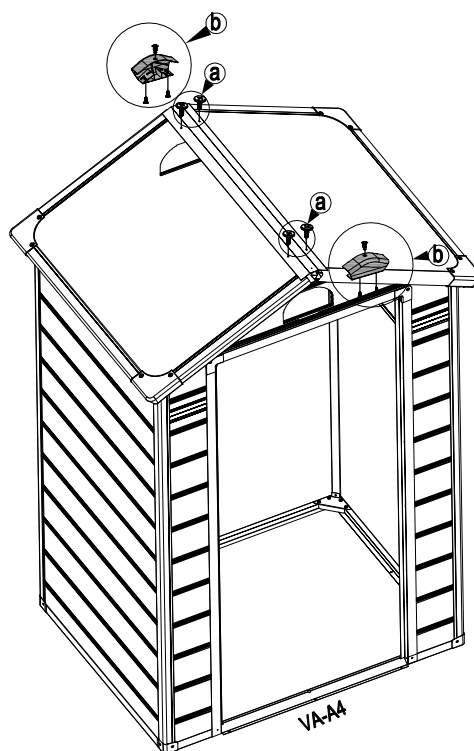
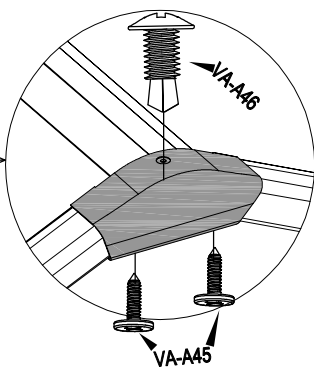
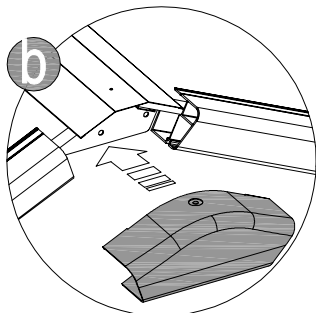
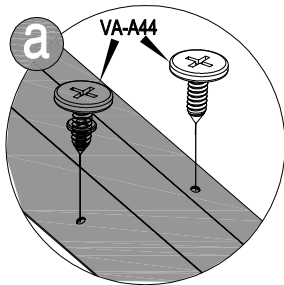
VA-A44 [x4]
13mm



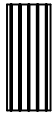
VA-A45 [x4]
19mm



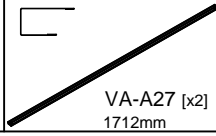
VA-A46 [x2]
13mm



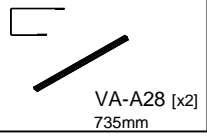
23



PA7S [x1]
1710x735mm



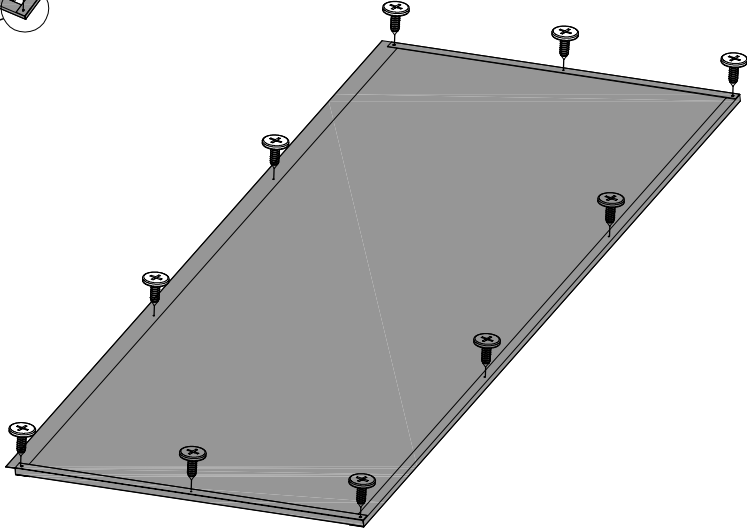
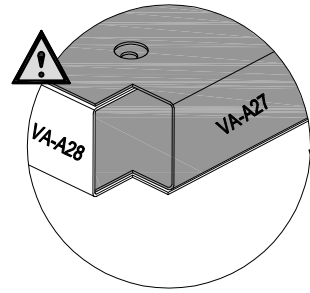
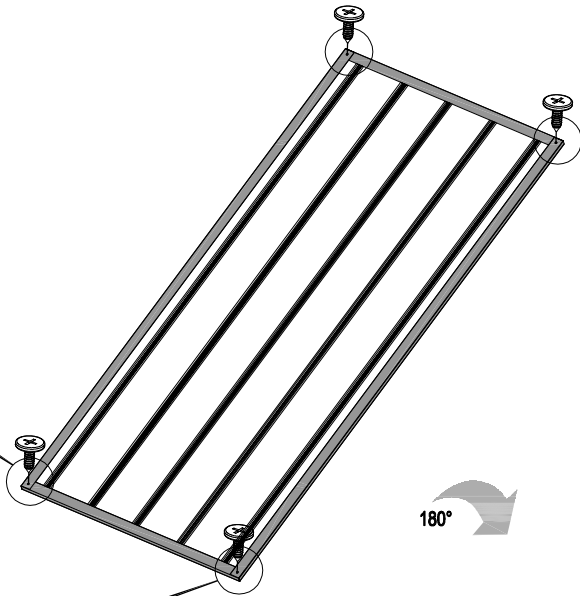
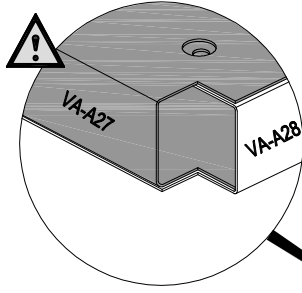
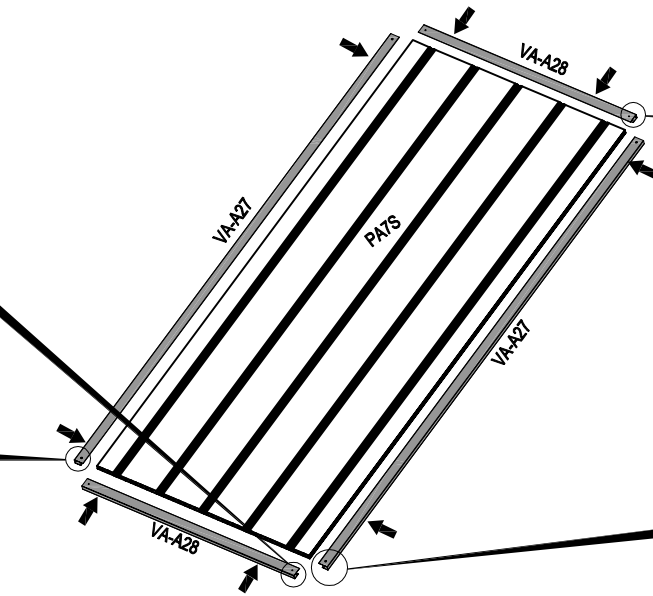
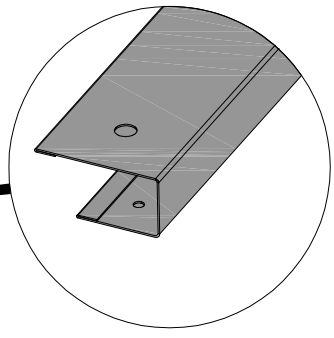
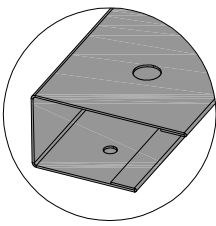
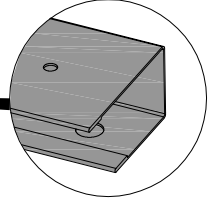
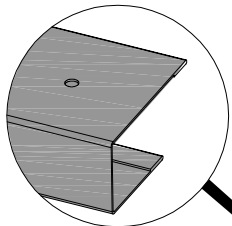
VA-A27 [x2]
1712mm



VA-A28 [x2]
735mm



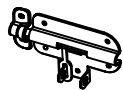
VA-A44 [x14]
13mm



24



VA-41 [x2]



VA-40 [x1]



PA01 [x3]



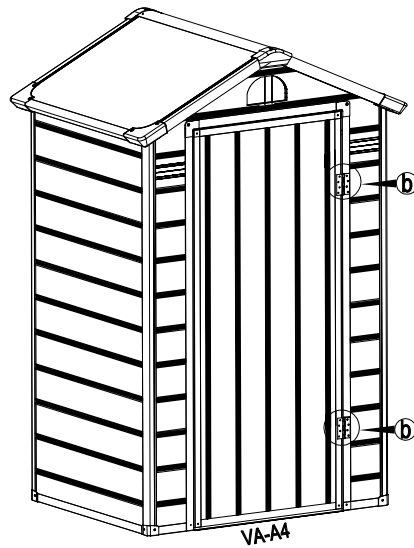
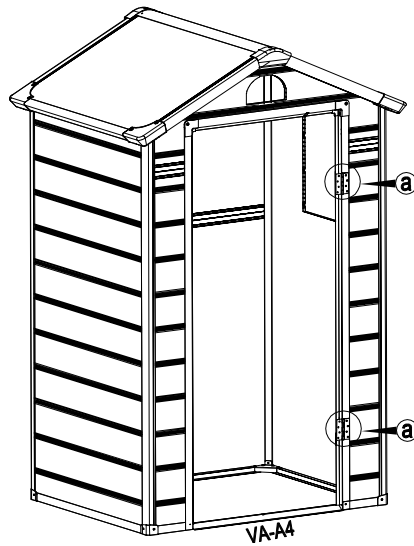
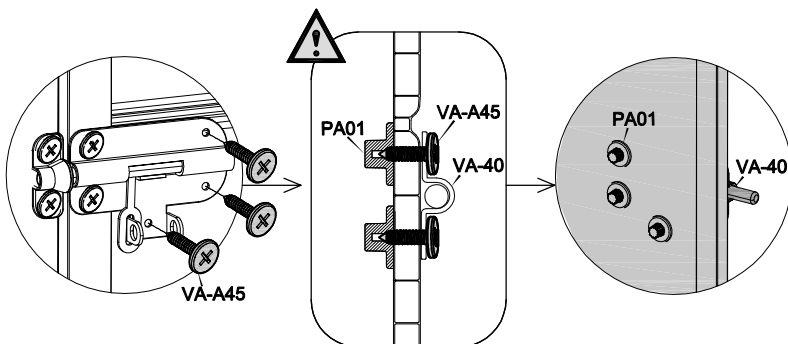
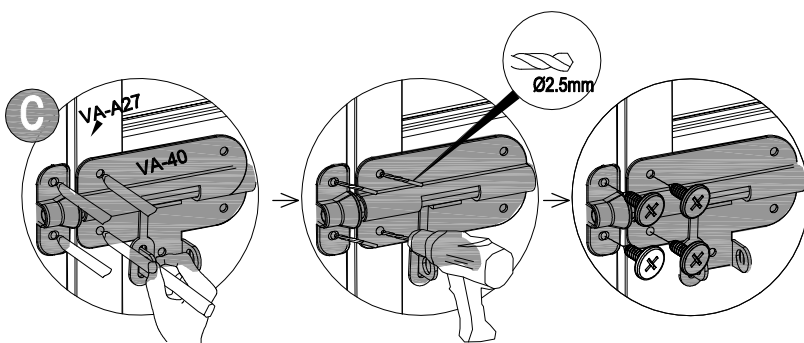
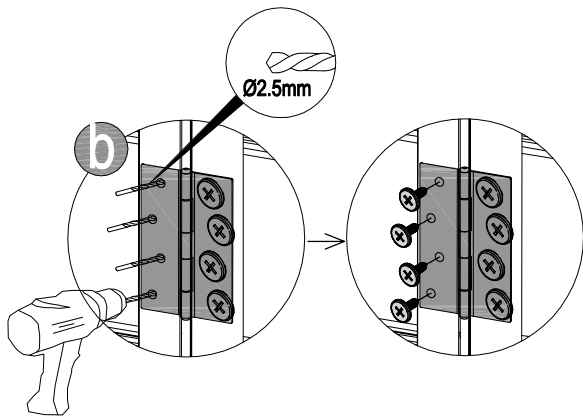
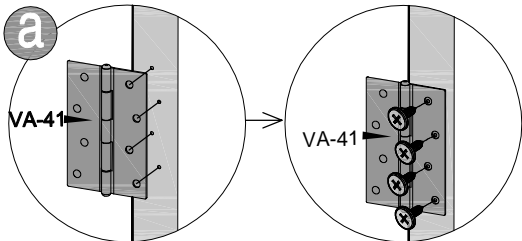
VA-A44 [x20]
12mm



VA-A45 [x3]
19mm



Ø2.5mm



25



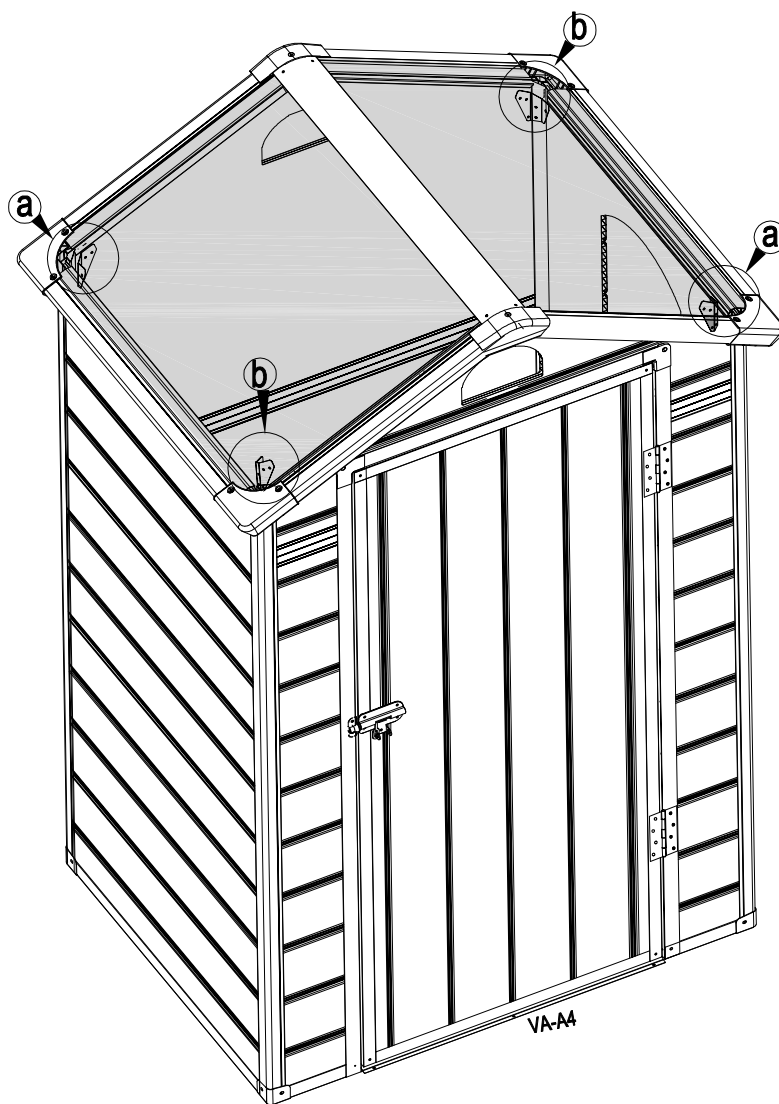
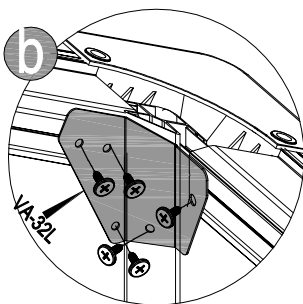
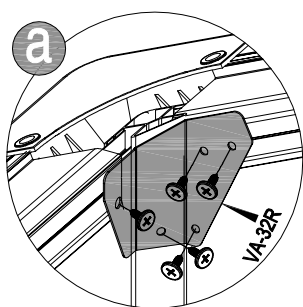
VA-32L [x2]










VA-32R [x2]



VA-A44 [x20]
13mm



26	 PPX14 [x2]	 PPX12 [x1]	 PPX13 [x1]	 W2S [x1]	 VA-51 [x1]	 VA-A44 [x10] 13mm	
----	---	---	---	---	--	---	---

