

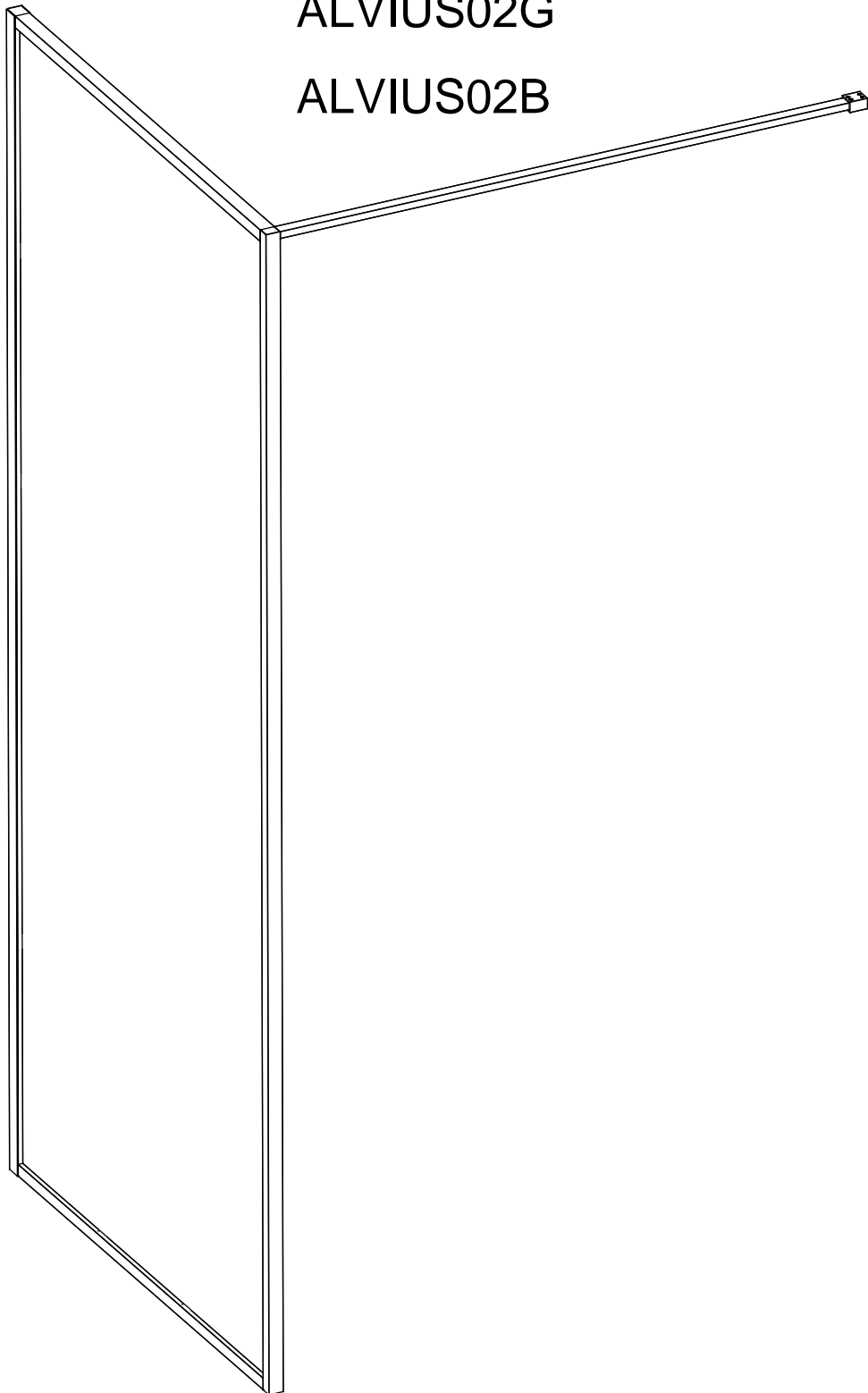
INSTALLATION INSTRUCTIONS

ALVIUS01G

ALVIUS01B

ALVIUS02G

ALVIUS02B



◆ General Information

Please inspect the product immediately upon receipt for transit damage, missing packs/parts or manufacturing fault. Damage reported later cannot be accepted. Please handle the product with care avoiding knocks and shock loading to all sides and edges of the glass.

Notes: Safety glass can not be re-worked.

Please read these instructions carefully before start of installation.

Special care should be taken when drilling walls to avoid hidden pipes or electrical cables.

Note: This product is heavy and may require two people to install.

Aftercare instructions

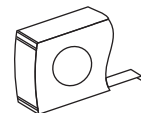
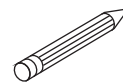
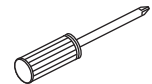
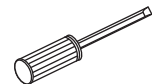
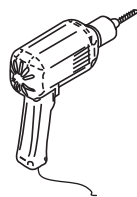
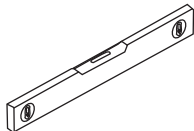
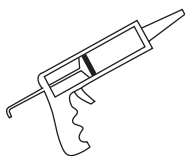
After use, your shower should be cleaned with soap and water. This is particularly important in hard water districts where insoluble lime salts may be deposited and allowed to build up.

Cleaners of a gritty or abrasive nature should not be used. Care should be taken to avoid contact with strong chemicals such as organic solvents and strippers.

Glass cleaners can be used but with caution, if in doubt contact the manufacturer of the cleaner in question.

Please keep these instructions for aftercare and customer service details.

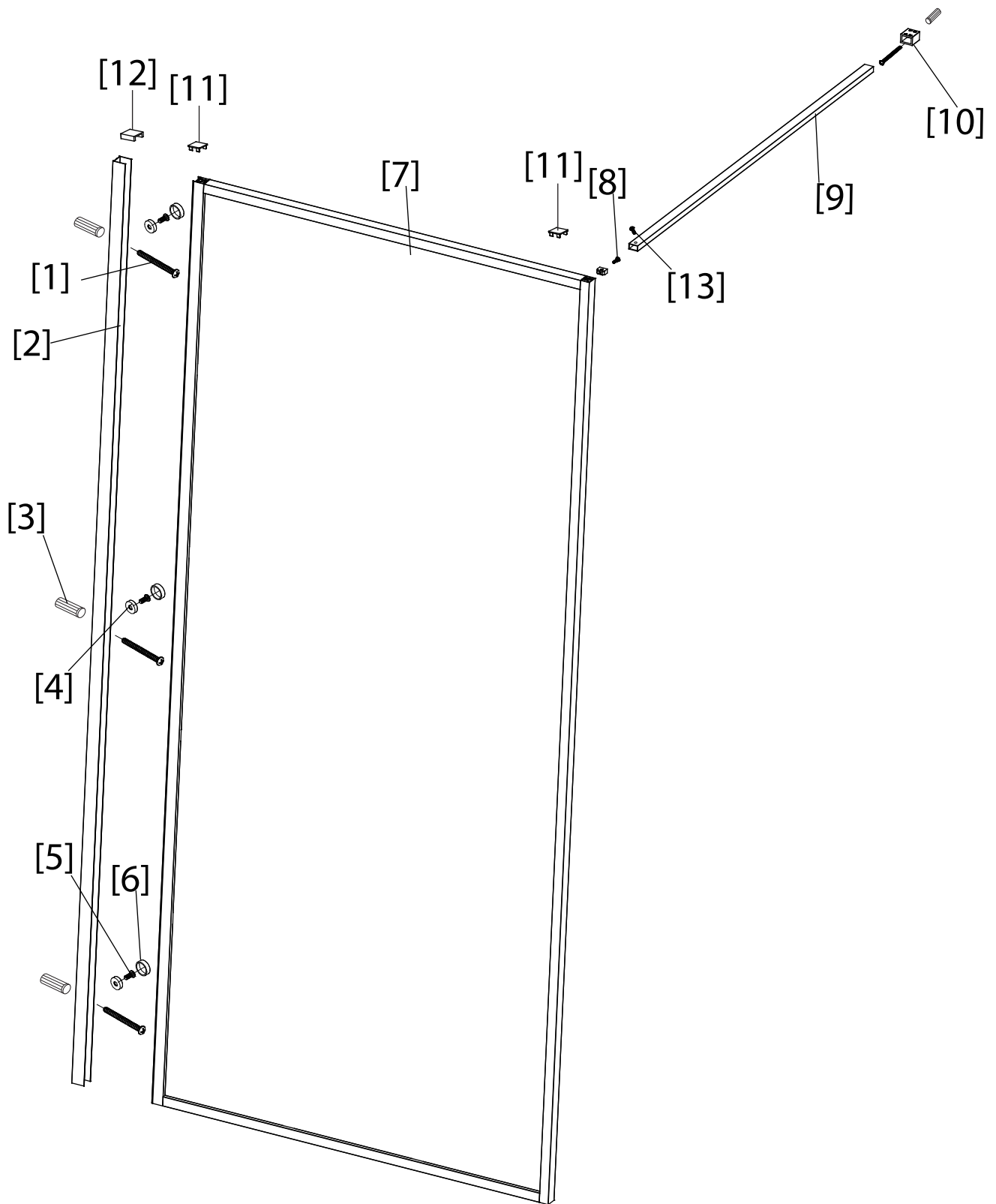
Tools Required



This product is heavy and may require two people to install.



◆ Assembly Drawing

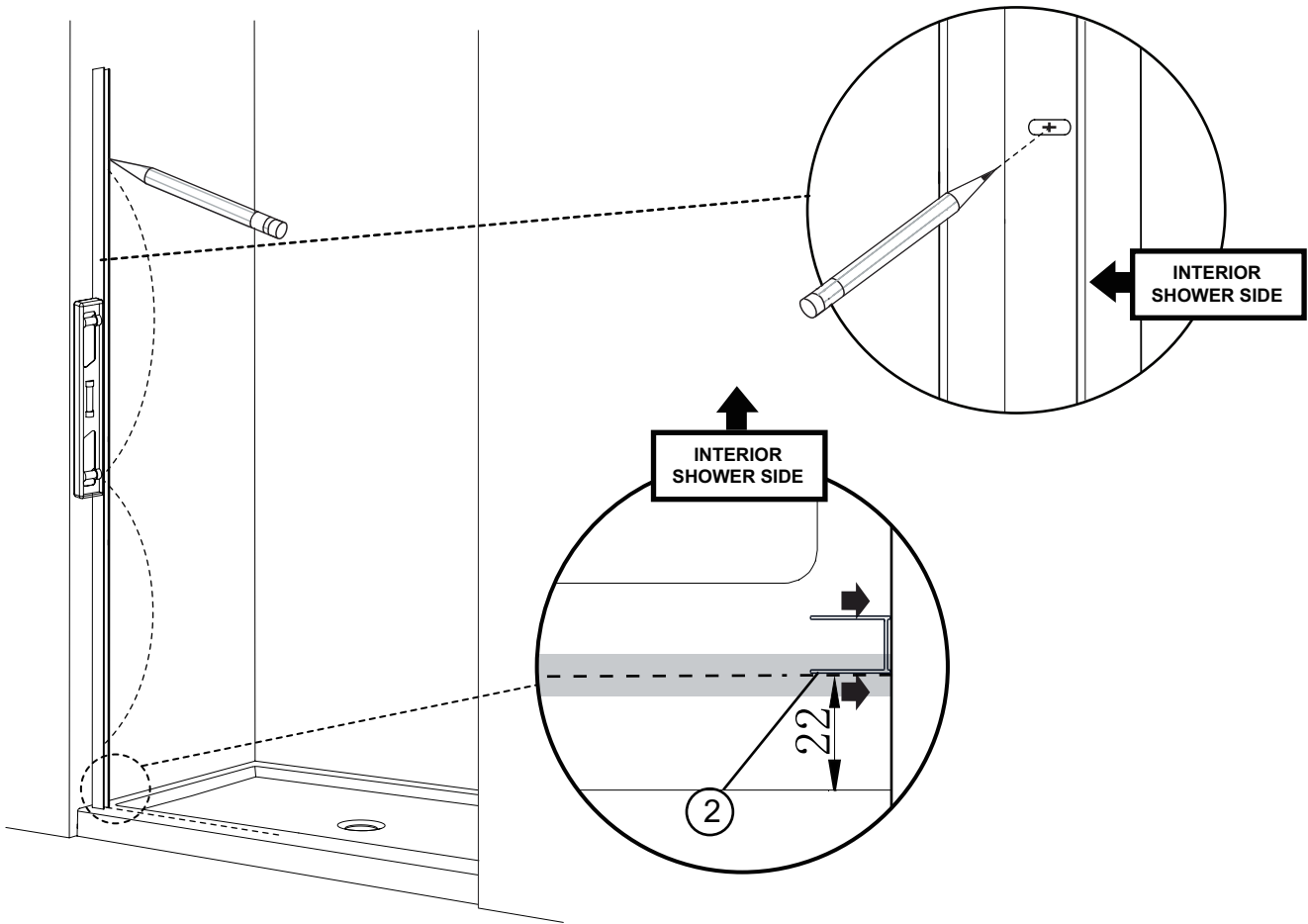


- [1] 4xRound Screws M4x30
- [2] 1xWall Profile
- [3] 4xWall Plugs
- [4] 3xScrew Cover Caps Washer
- [5] 3xScrews M4x10
- [6] 3xScrew Cover Caps

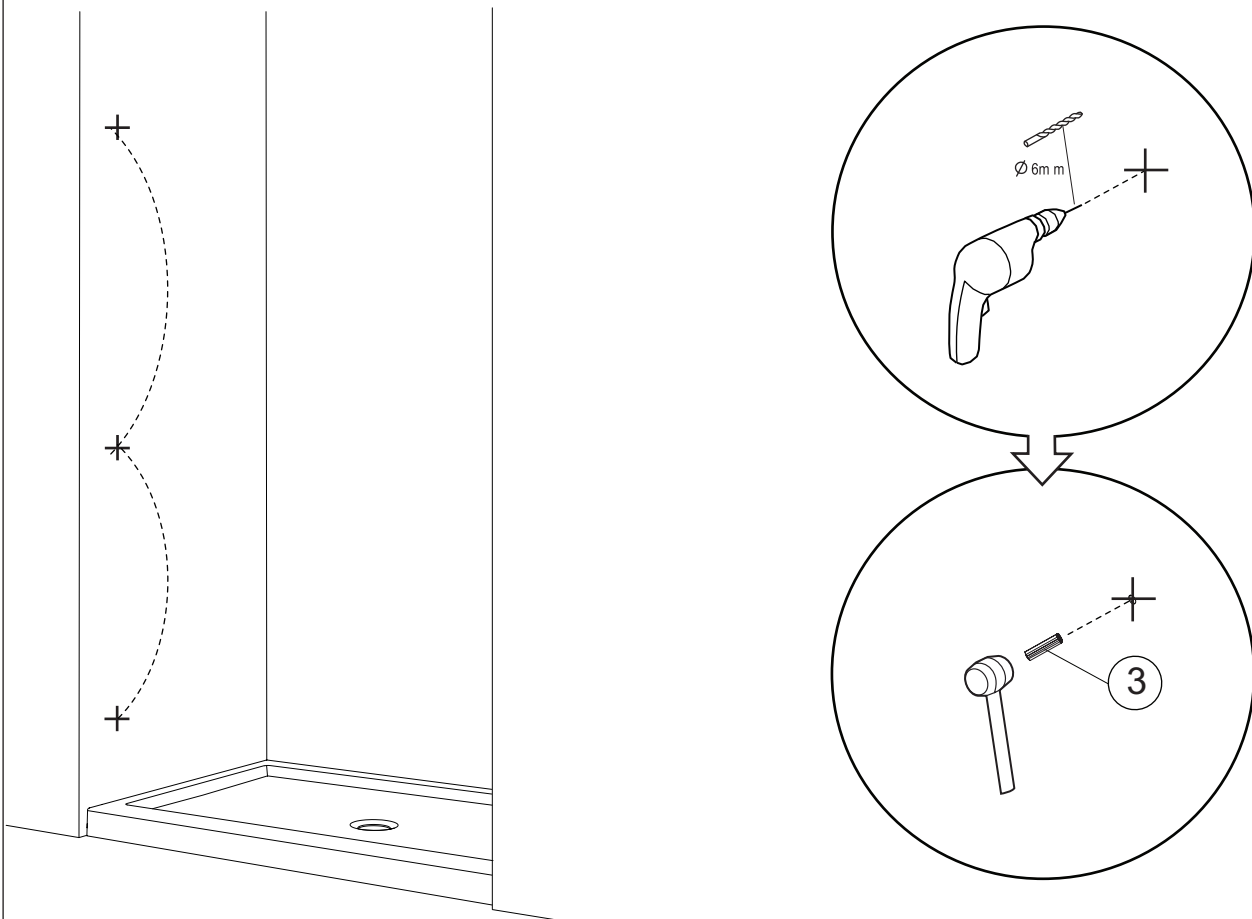
- [7] 1xFixed Panel
- [8] 1xRound Screws M4x20
- [9] 1xSupport Bar
- [10] 1xSupport Bar Washer
- [11] 2xPost Caps
- [12] 1xWall Post Cap
- [13] 1xRound Screws M4x4

Installation Steps

Step 1 Mark the location of the wall profile holes on the wall



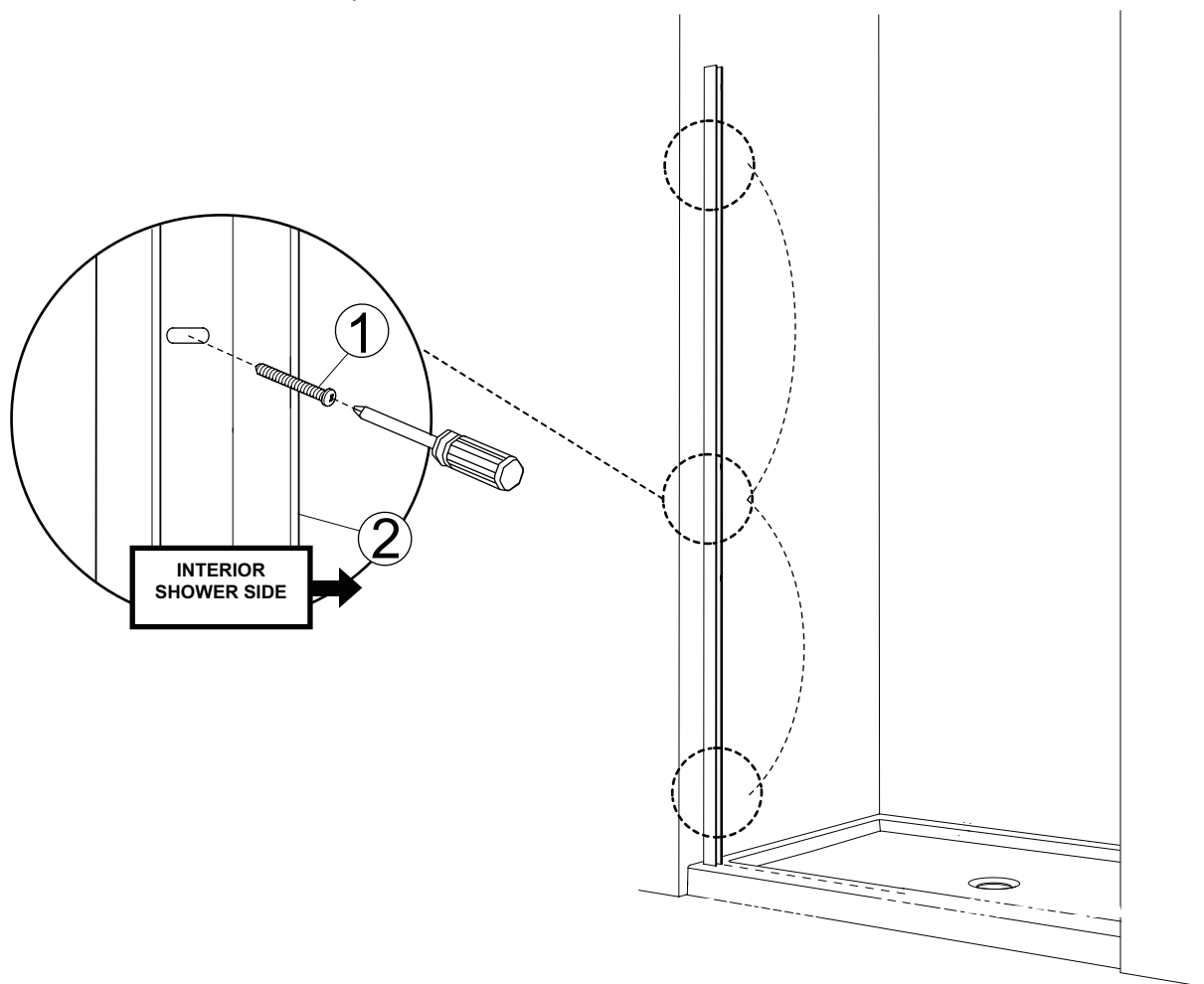
Step 2 Drill and install wall plugs on the wall



Make sure your measurements are correct and that they match the tub and door before you drill the holes

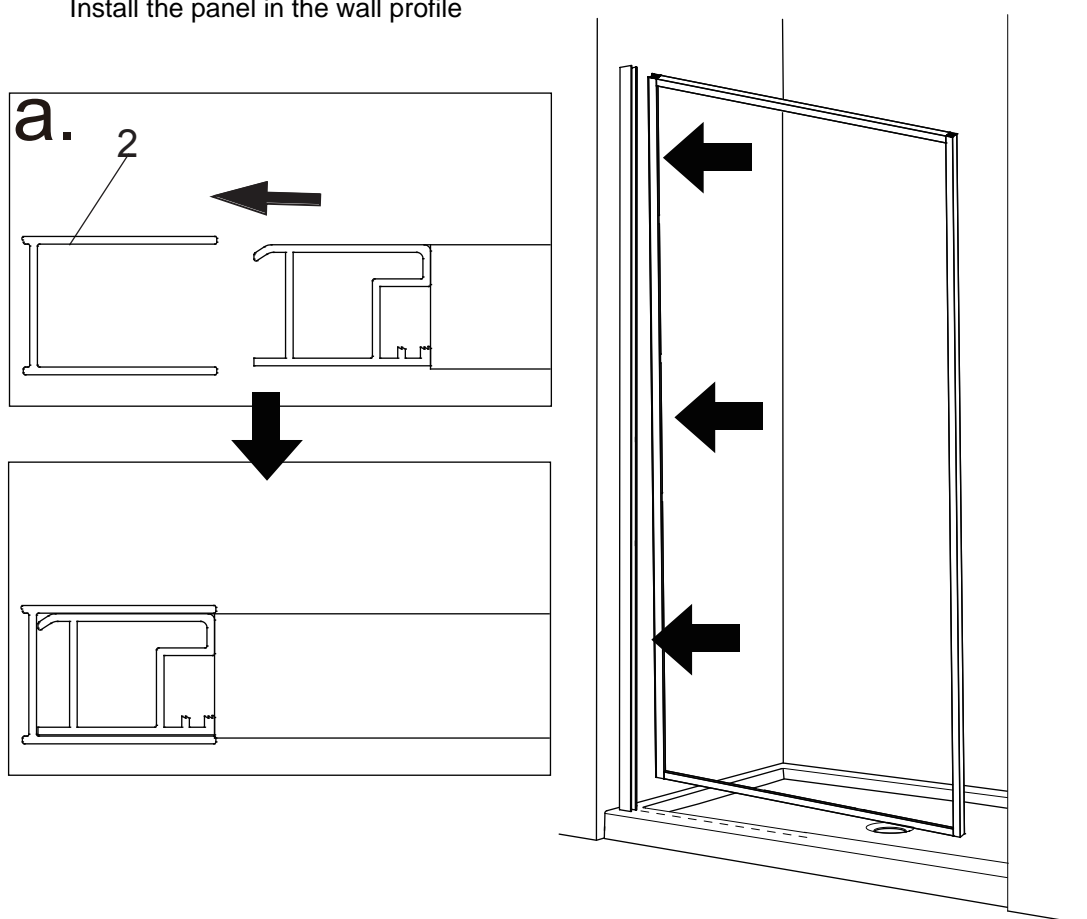
Step 3

Mark the location of the wall profile holes on the wall



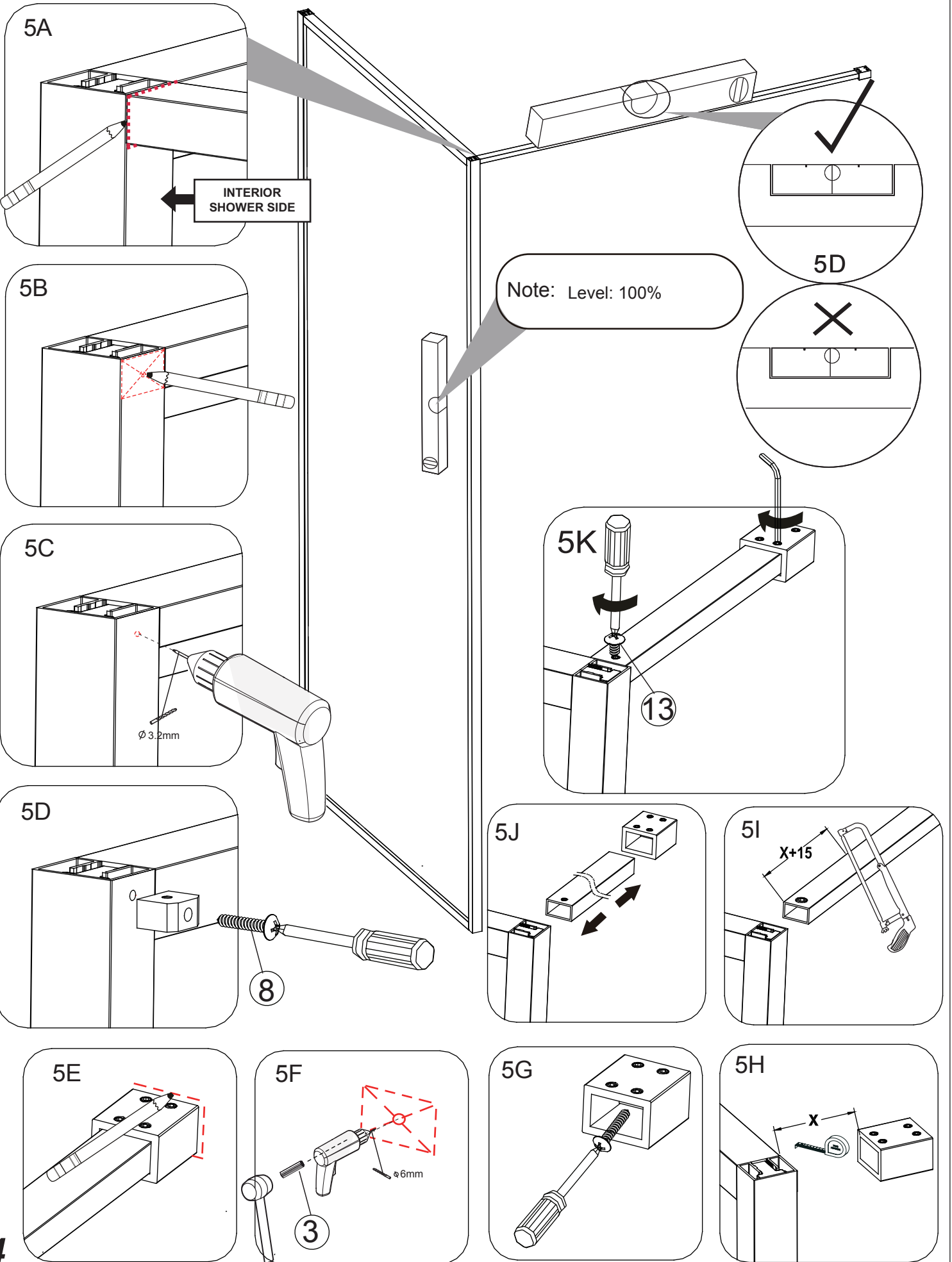
Step 4

Install the panel in the wall profile



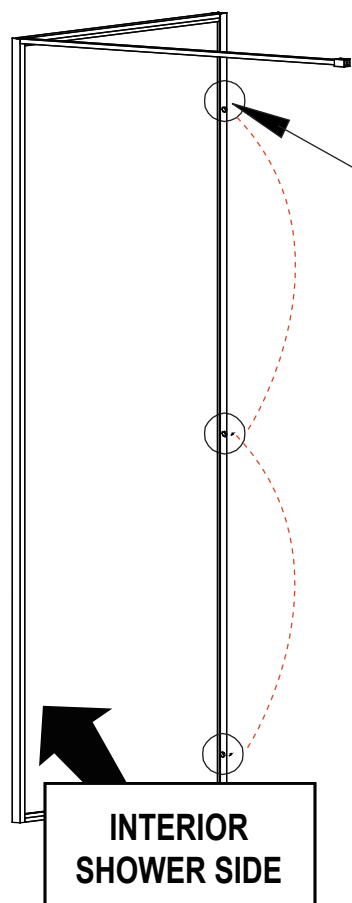
Step 5

Install support bar



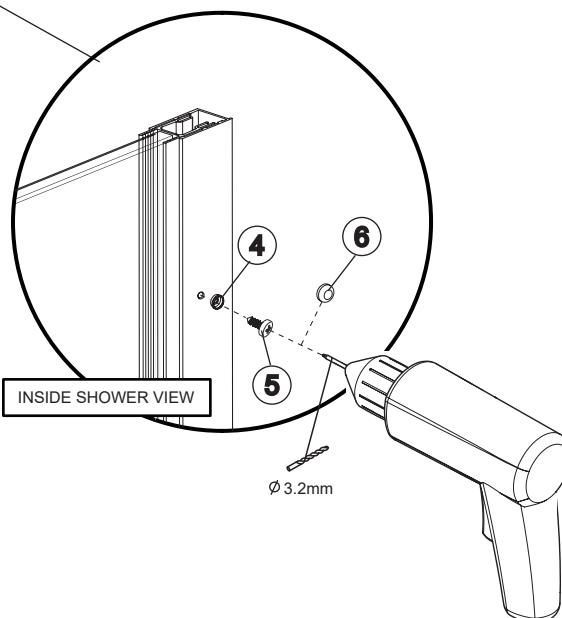
Step 6

Adjust the shower enclosure



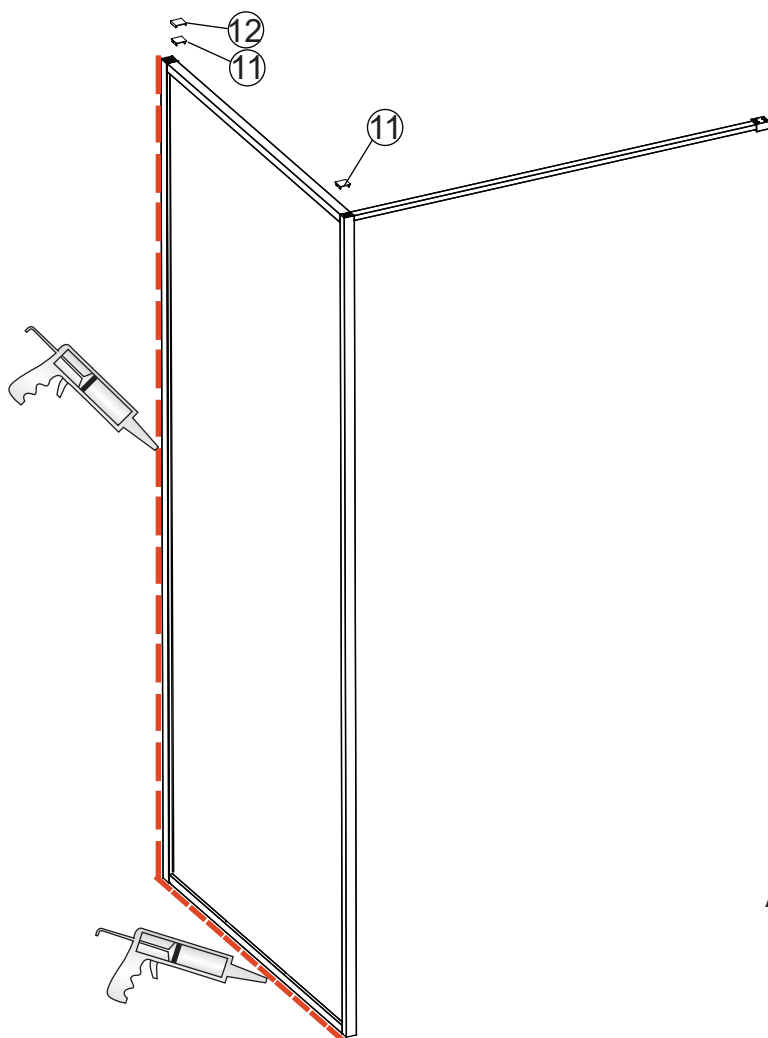
Adjust the level. Drill holes at the wall profile and corner profile separately with $\Phi 3.2$ screws.

Fix the holes with M4*10 screws and caps



Step 7

Seal the shower enclosure



All sealant should be applied to the outside. Seal top to bottom between the wall profile and the wall. Seal the the bottom between the tray/floor and the glass/rail/profile and approx. 50mm vertically between the wall profile and the glass.



Allow 24 hours for silicone to dry before use.