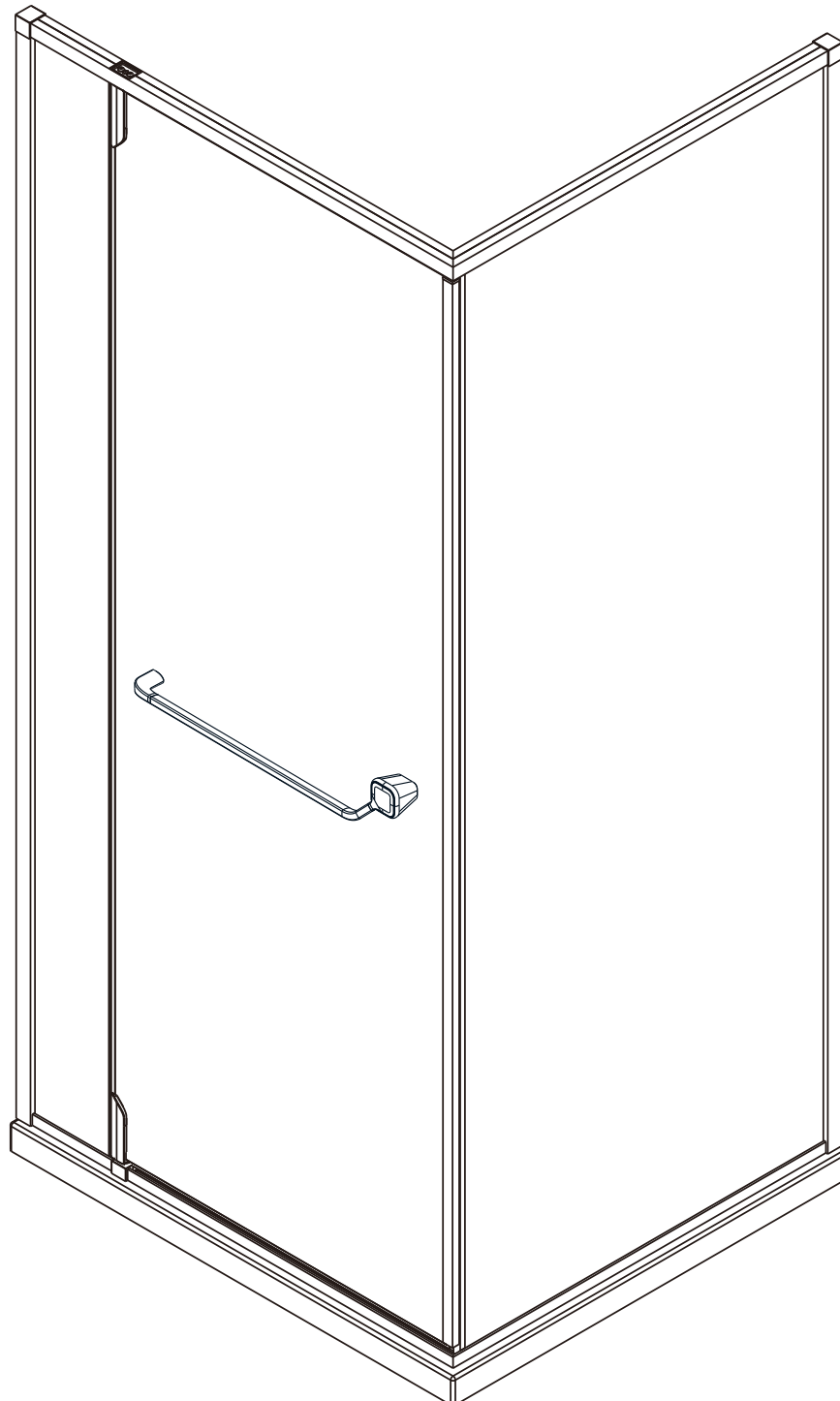


INSTALLATION INSTRUCTIONS

AEQUS01STG



◆ General Information

Please inspect the product immediately upon receipt for transit damage, missing packs/parts or manufacturing fault. Damage reported later cannot be accepted. Please handle the product with care avoiding knocks and shock loading to all sides and edges of the glass.

Notes: Safety glass can not be re-worked.

Please read these instructions carefully before start of installation.

Special care should be taken when drilling walls to avoid hidden pipes or electrical cables.

Note: This product is heavy and may require two people to install.

Aftercare instructions

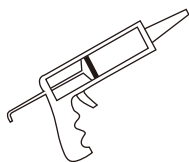
After use, your shower should be cleaned with soap and water. This is particularly important in hard water districts where insoluble lime salts may be deposited and allowed to build up.

Cleaners of a gritty or abrasive nature should not be used. Care should be taken to avoid contact with strong chemicals such as organic solvents and strippers.

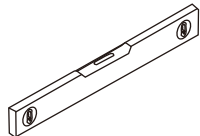
Glass cleaners can be used but with caution, if in doubt contact the manufacturer of the cleaner in question.

Please keep these instructions for aftercare and customer service details.

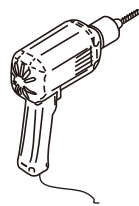
Tools Required



SILICONE



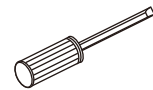
LEVEL



DRILL



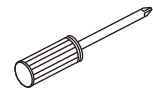
Ø 6mm



SCREWDRIVERS



Ø 3.2mm



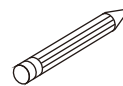
SCREWDRIVERS



BLOCK



MALLET



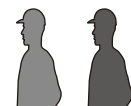
PENCIL



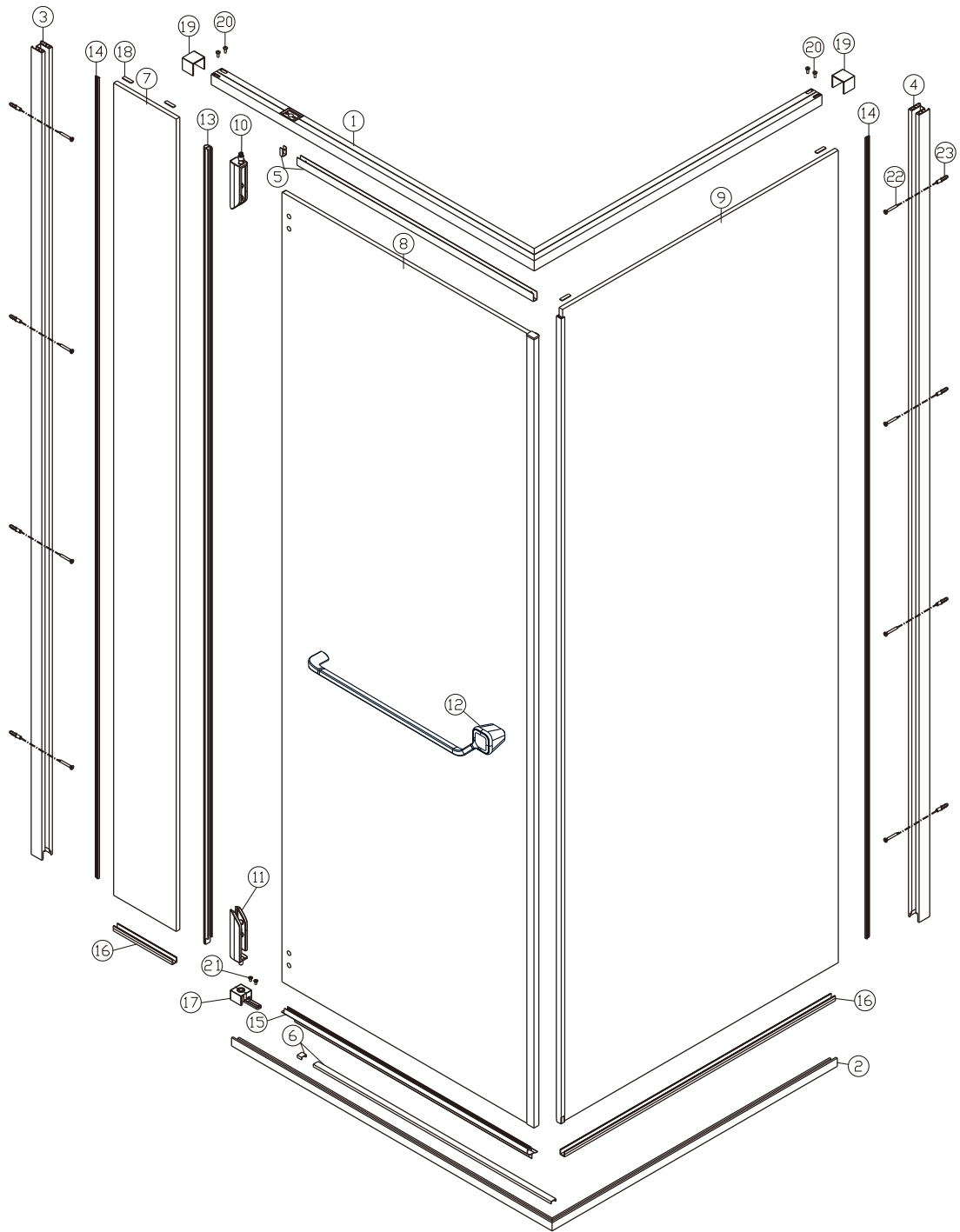
TAPE MEASURE



This product is heavy and may require two people to install.



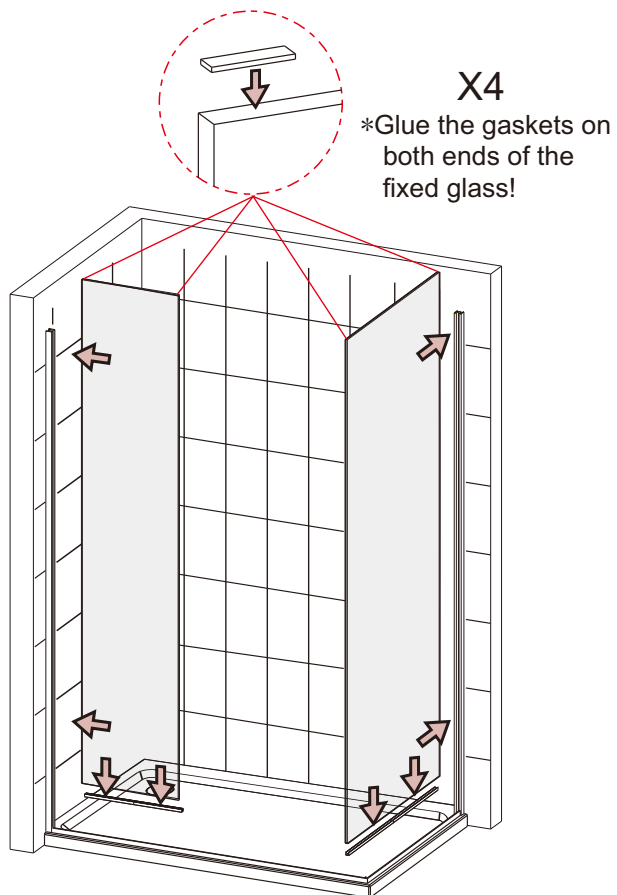
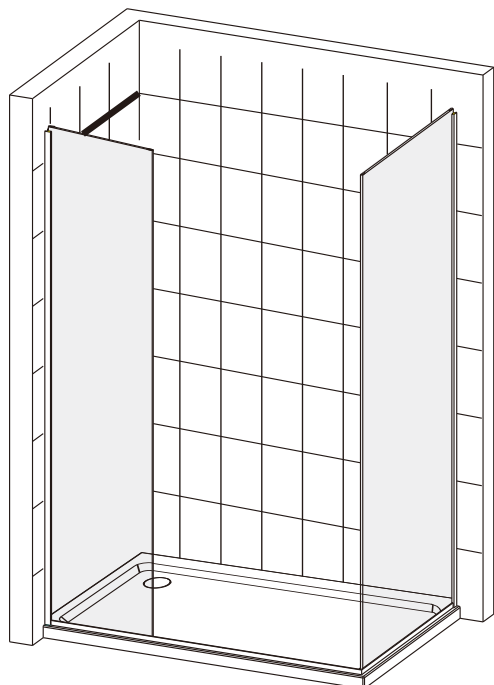
◆ Assembly Drawing



NO	Description	Qty	NO	Description	Qty	NO	Description	Qty
1	TOP Frame	1	10	Top Pivot	1	19	Endcap	2
2	Bottom Frame	1	11	Bottom Pivot	1	20	M4x10mm Screws	4
3	Wall Profile-L	1	12	Handle	1	21	M5x8mm Sunk Screws	2
4	Wall Profile-R	1	13	Waterproof strip	1	22	ST4x30mm Screws	8
5	Top Frame Cover Board—Long/Short	1	14	2.0 single-side strip	2	23	Wall Plugs	8
6	Bottom Frame Cover Board—Long/Short	1	15	Bottom Waterproof strip	1			
7	Fixed glass	1	16	Bottom strip	2			
8	Glass Door	1	17	Bottom pivot mounting block	1			
9	Fixed side glass	1	18	Fixed panel gasket	4			

Step 3

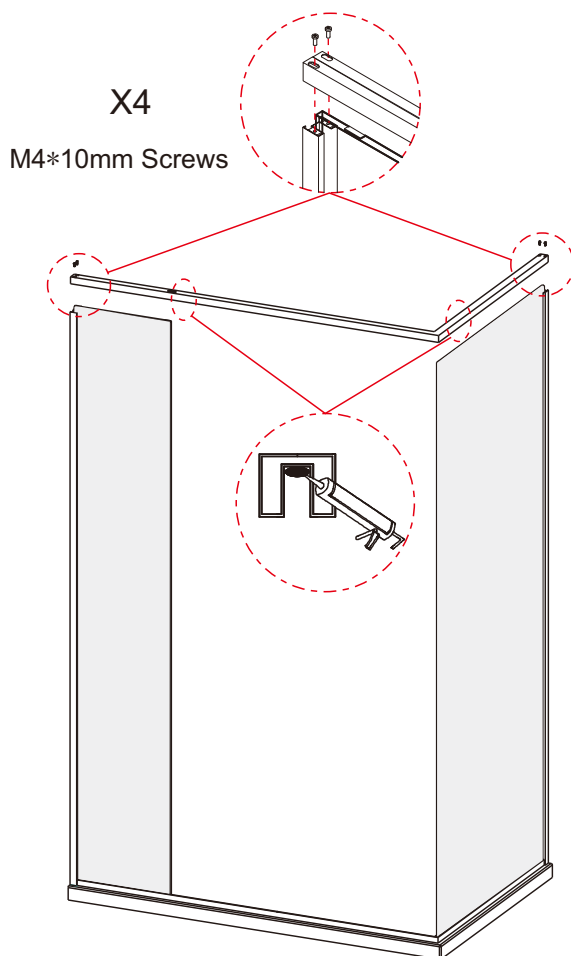
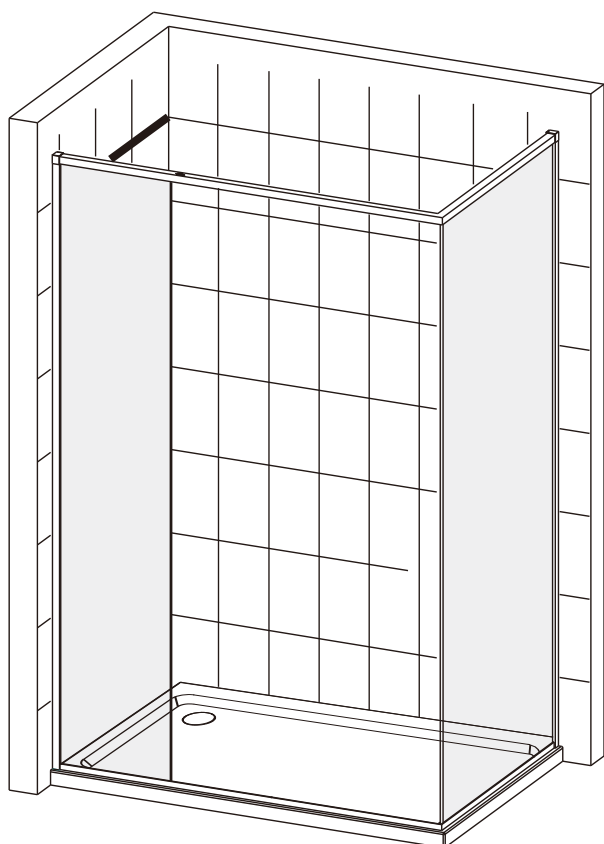
Install the fixed glass



*Stick the bottom strip into the bottom of fixed glass!

Step 4

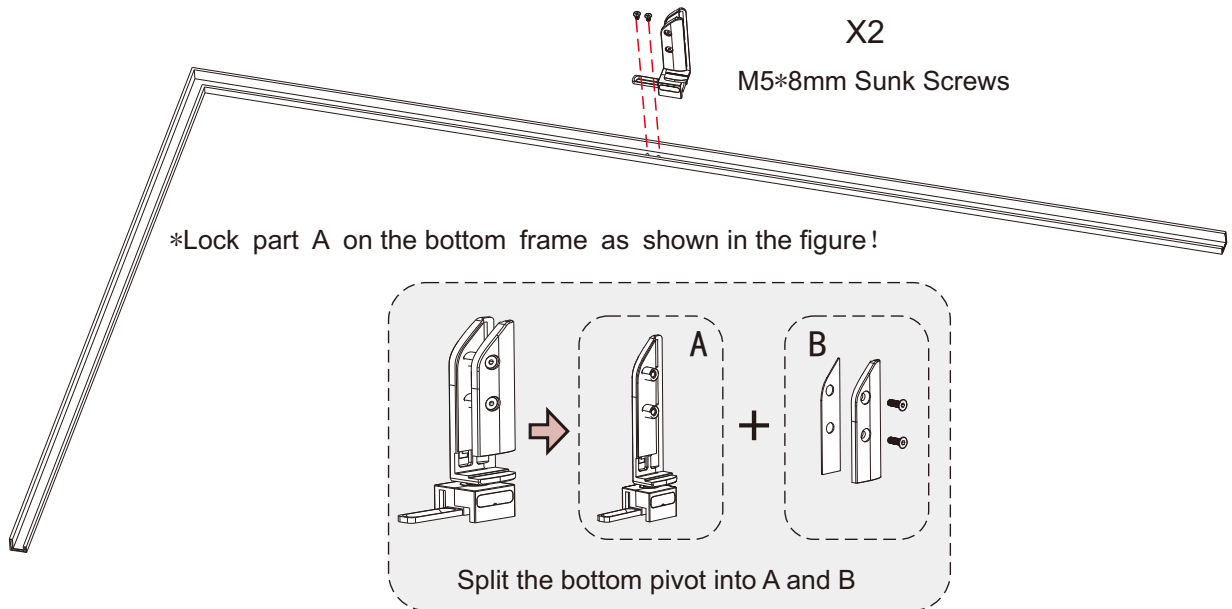
Install the top frame



*Clip the top frame into the top of fixed glass as shown in the picture, and lock it on the wall profile with M4x10mm screws.

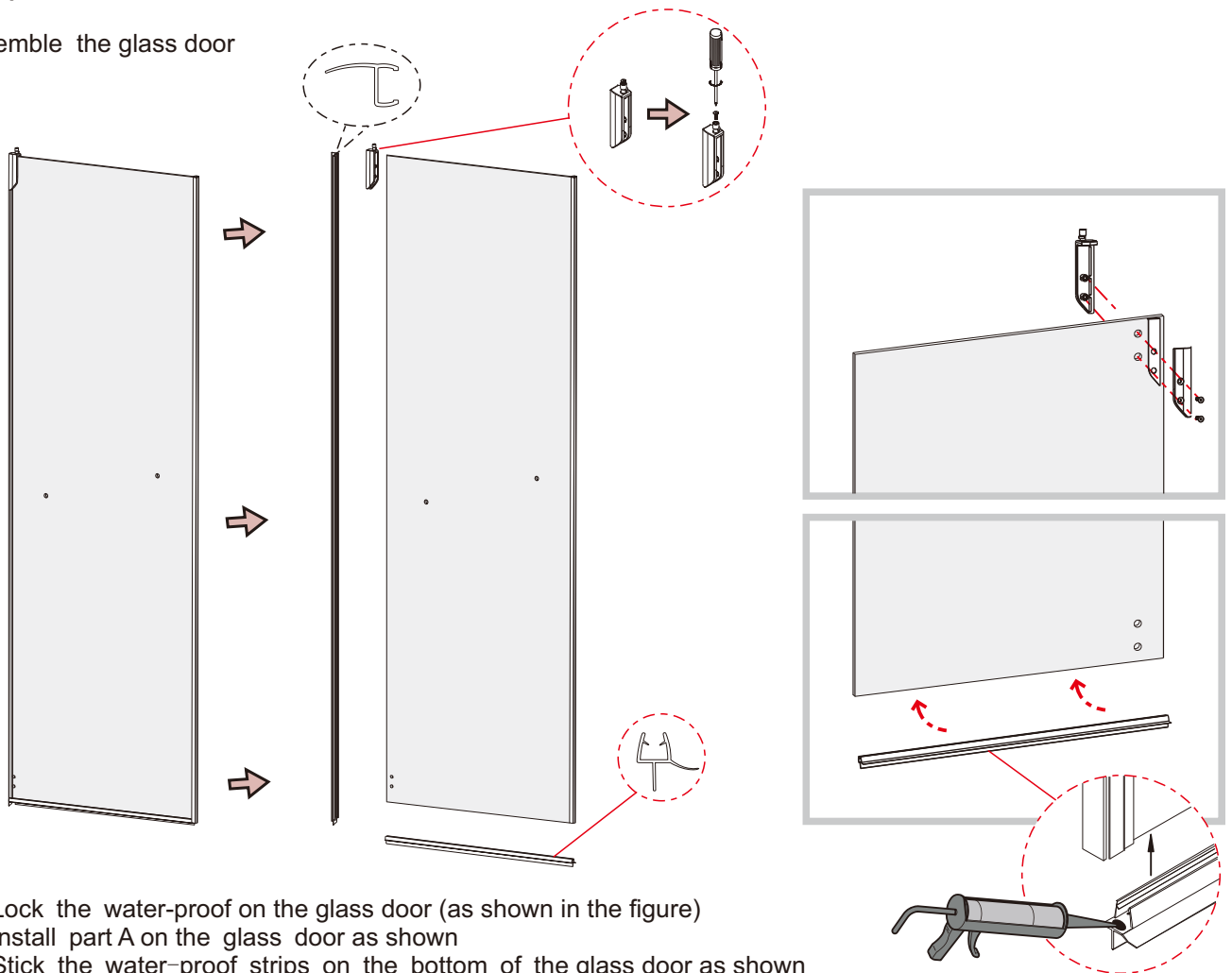
Step 5

Install the bottom pivot



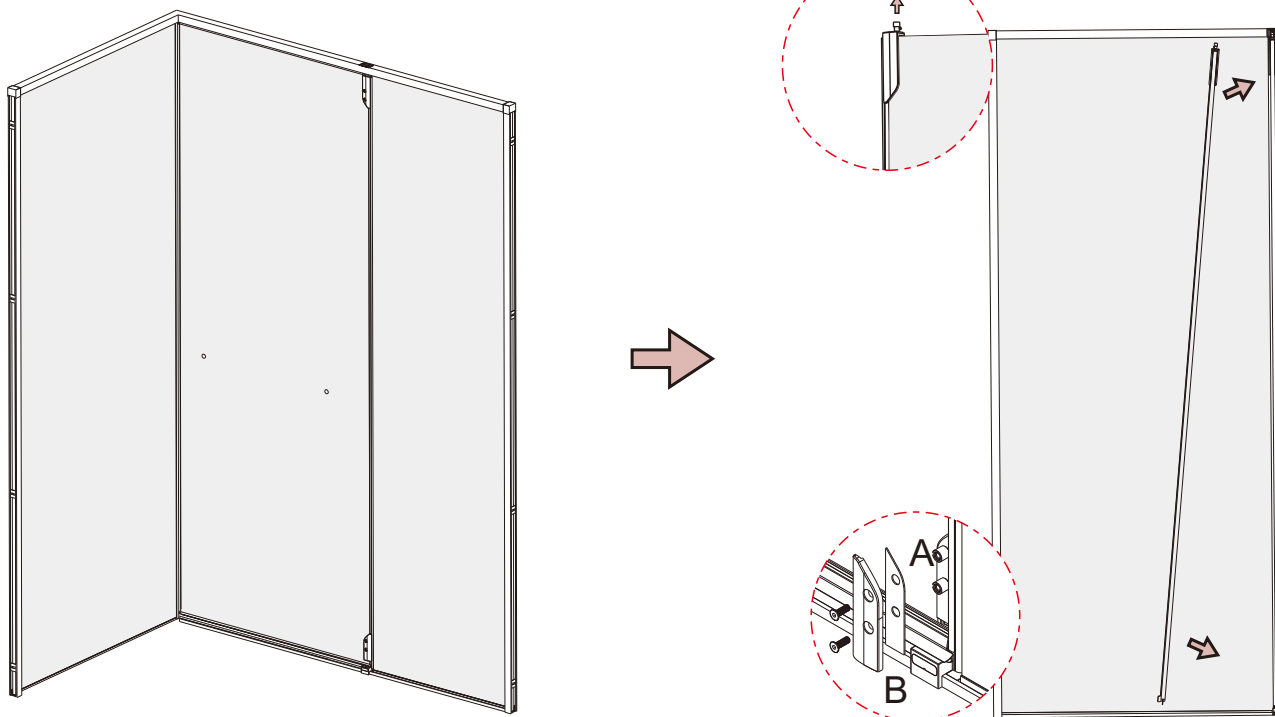
Step 6

Assemble the glass door



Step 7

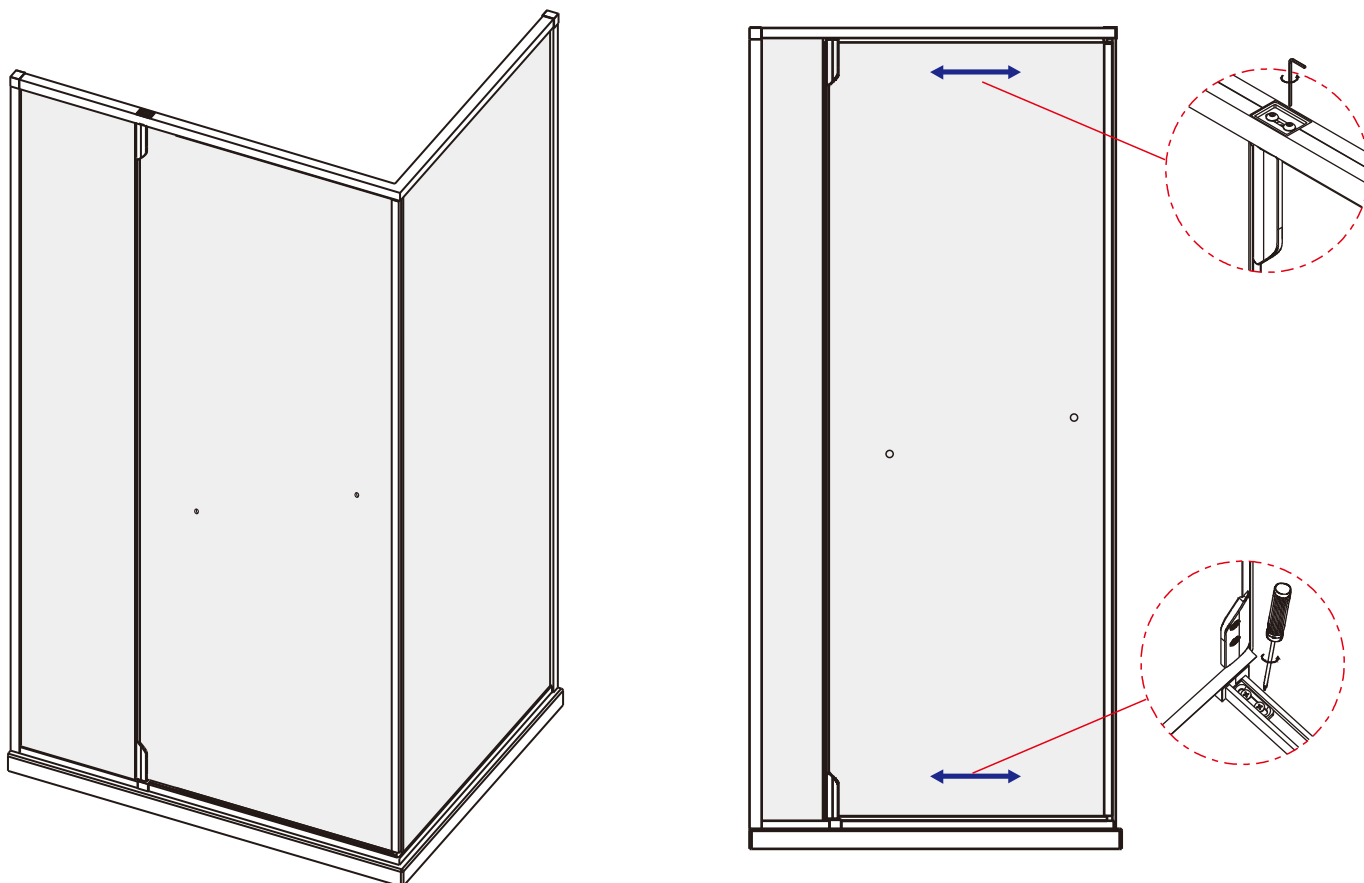
Install the glass door



*When installing the glass door, insert top pivot A into B, which has been locked in the top frame, and then lock the bottom pivot.

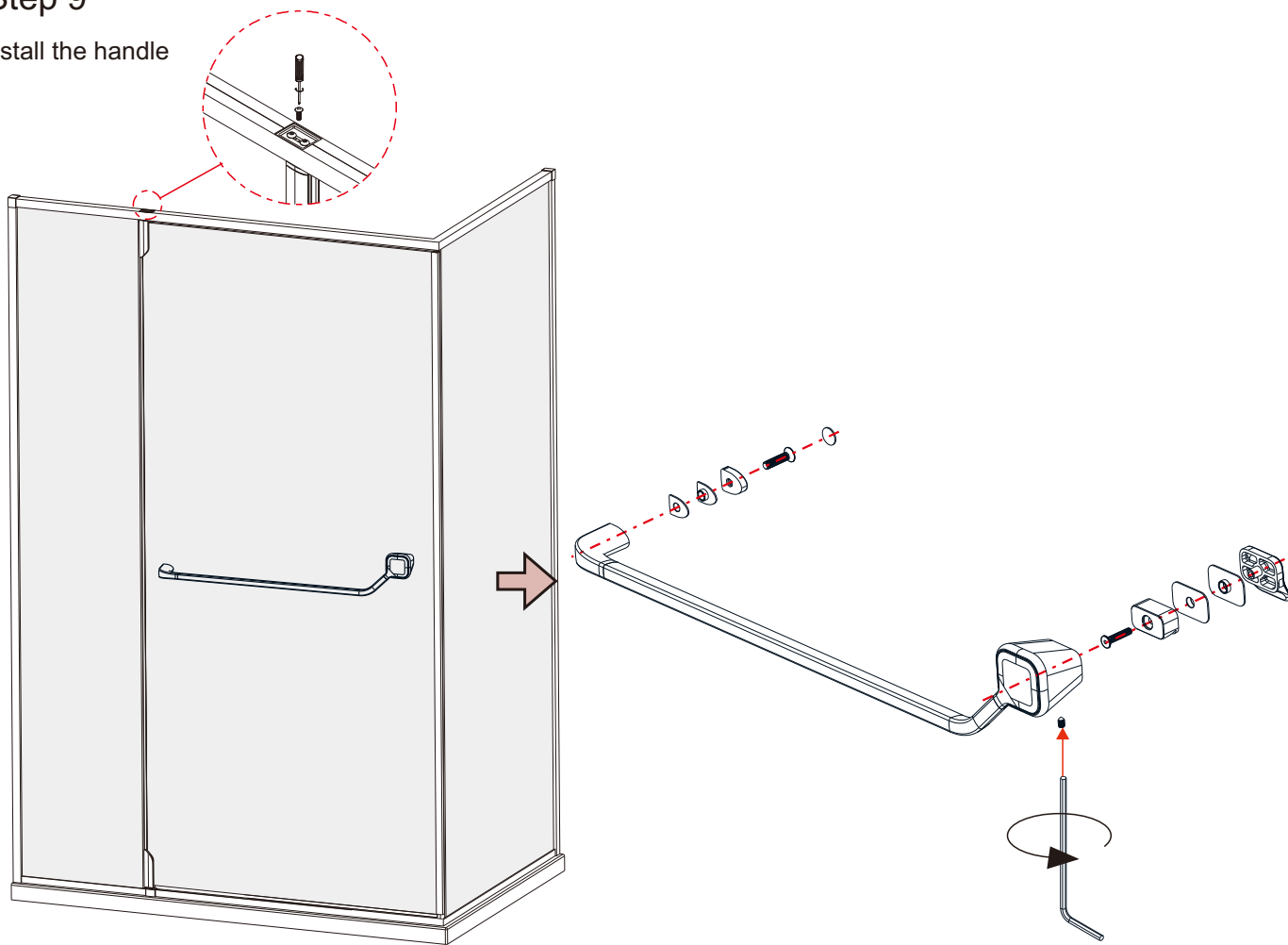
Step 8

Adjust the shower enclosure



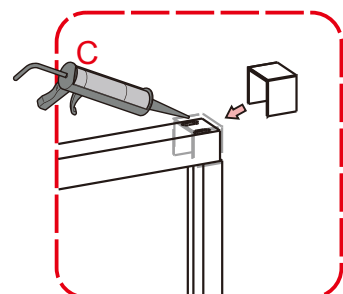
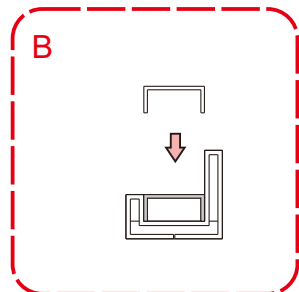
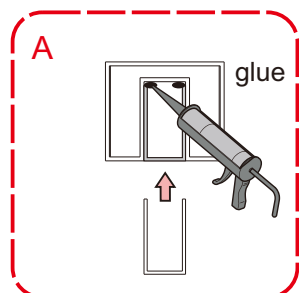
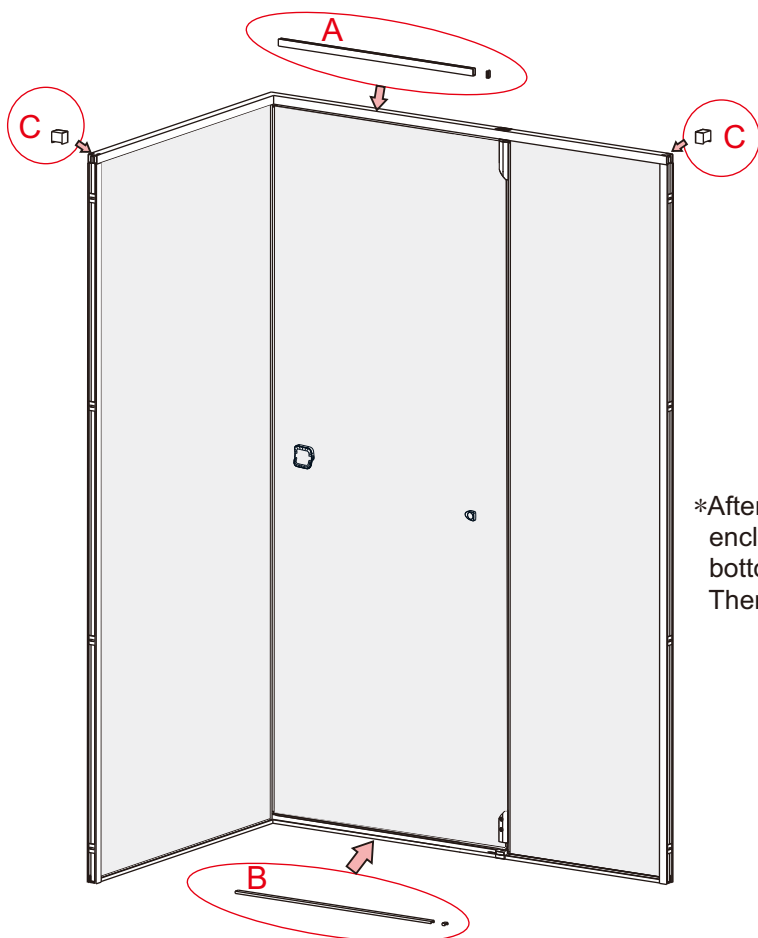
Step 9

Install the handle



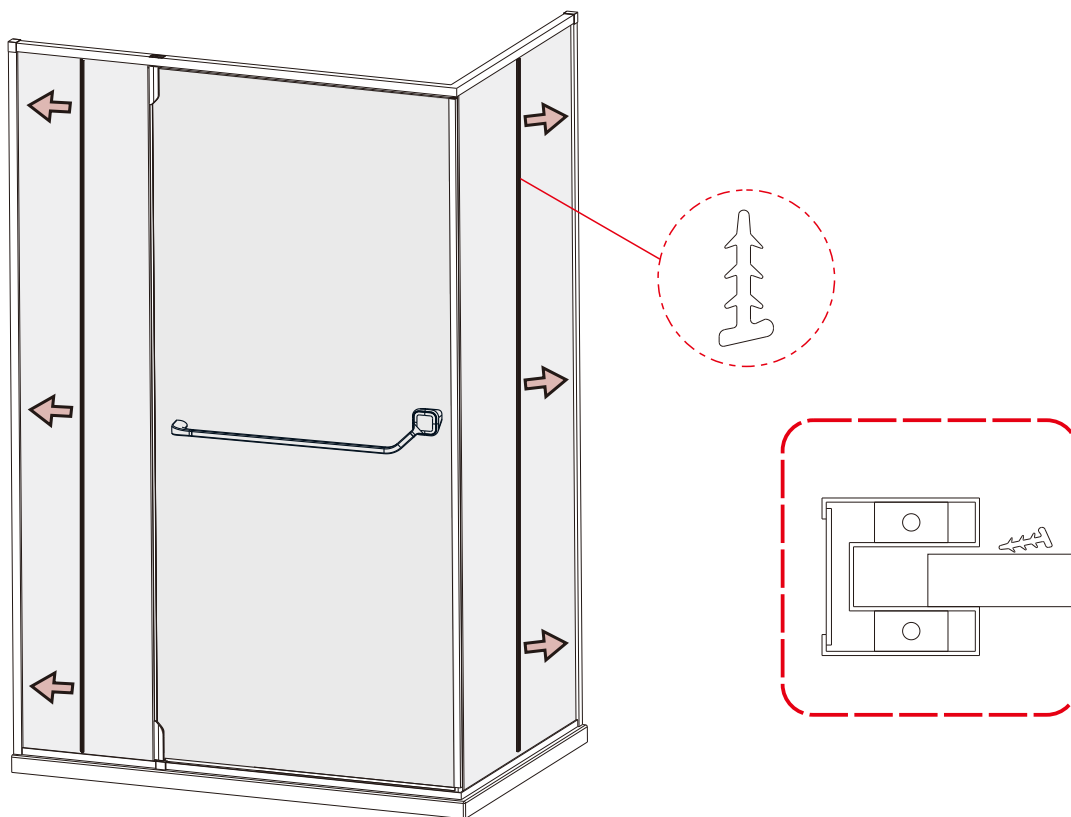
Step 10

Install the top/bottom Frame Cover Board and endcap



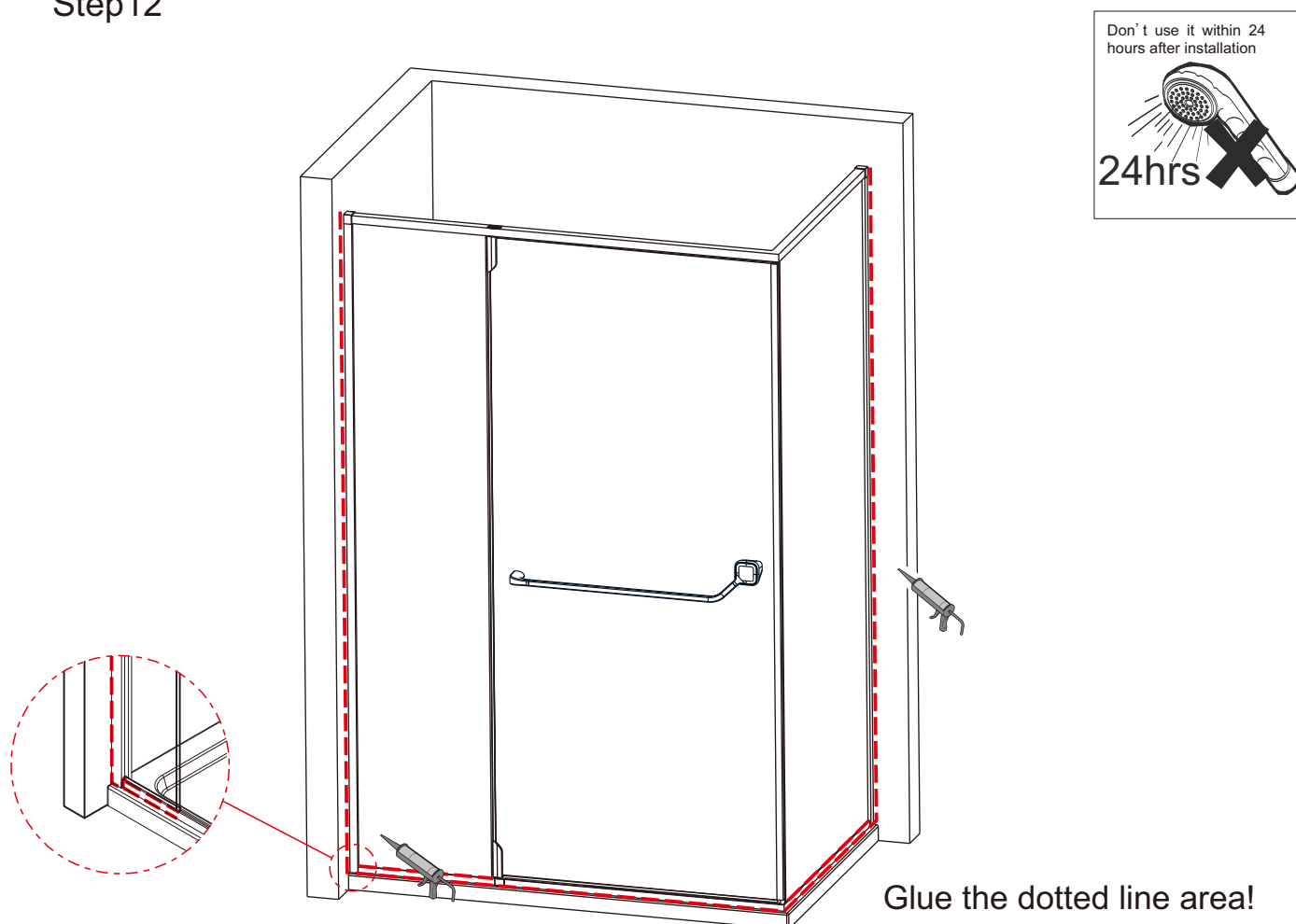
*After adjusting the shower enclosure, cover the top and bottom cover board. Then install the endcap.

Step11



Stick the single-side strip on the left side of the fixed glass as shown

Step12



Glue the dotted line area!