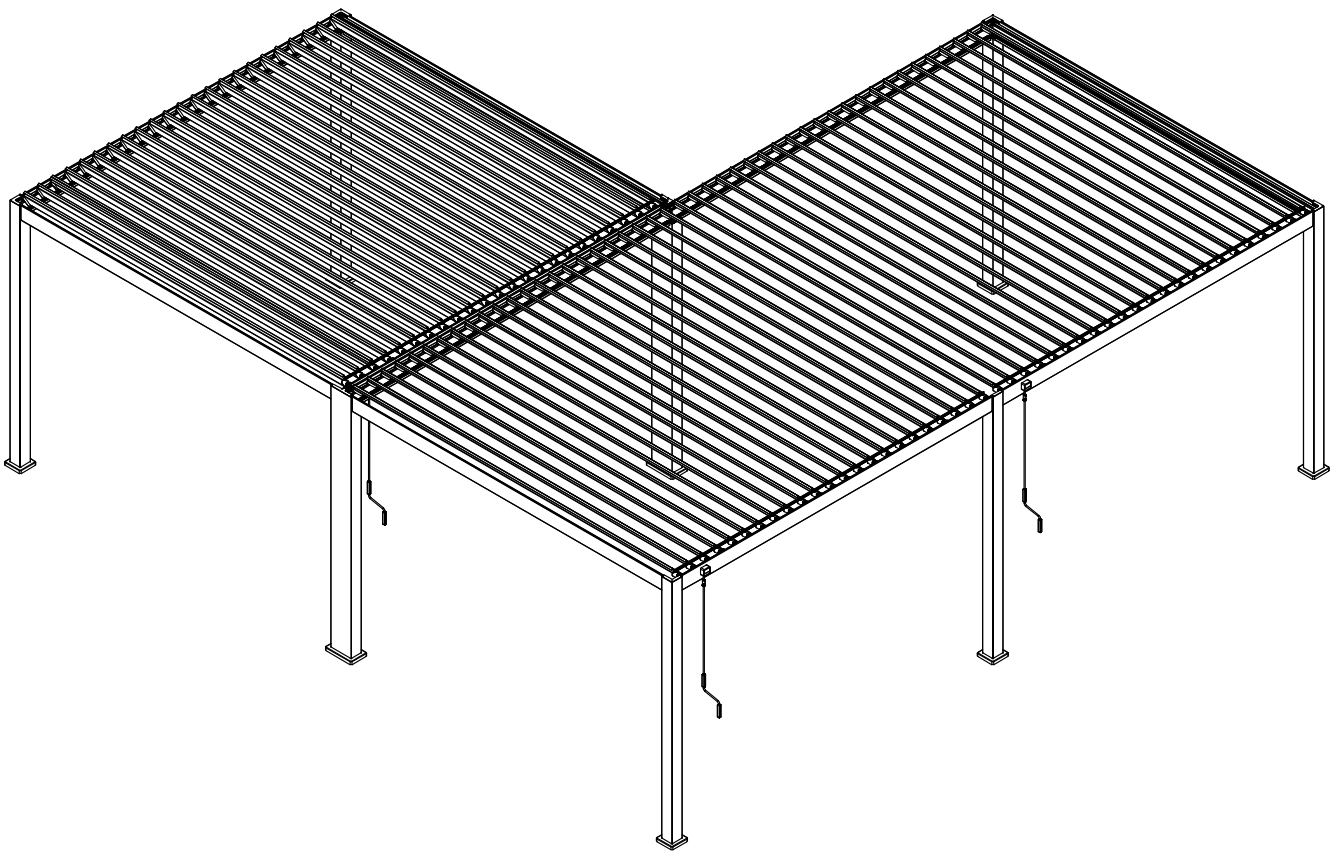


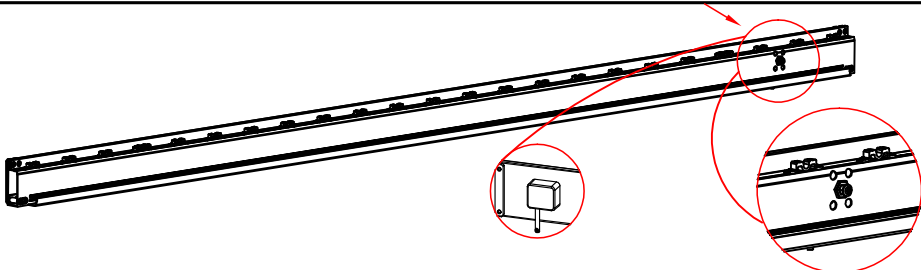


MIRADOR[®] 7.2x7.2m

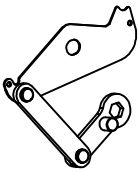
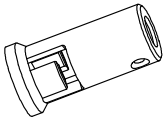
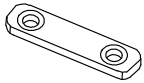

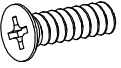
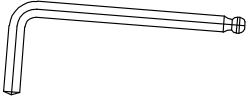


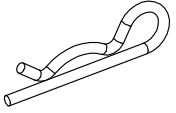
User Manual



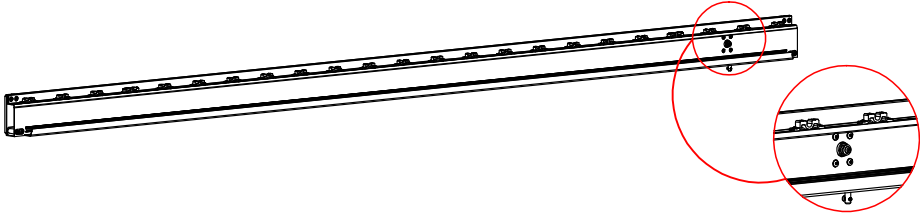


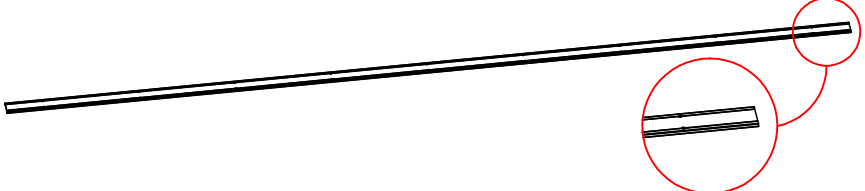
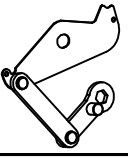
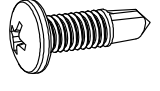
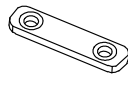
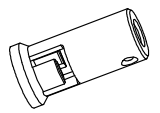


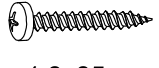
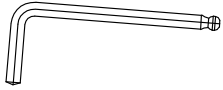
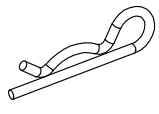
REF	QTY					
SKU1	2					
SKU2	1					
SKU3	3					
SKU4	4					
SKU5	5					
SKU6	1					
SKU7	1					
SKU8	1					
SKU11	6					
SKU12	2					
SKU13	6					

SKU1

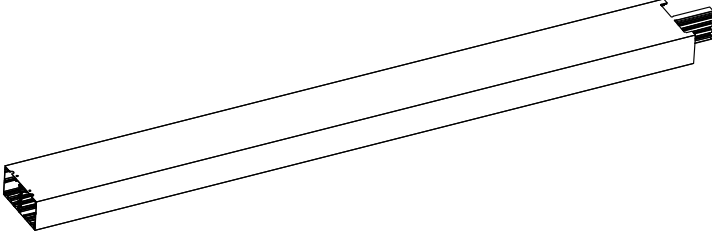
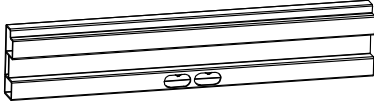
REF	PICTURE	QTY
(B)		1PC
(G)		1PC
(H)		1PC

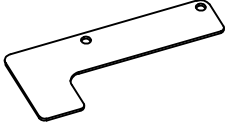

REF	PICTURE	QTY	REF	PICTURE	QTY
(L)		1PC	(V)		1PC
(M)		24PCS	(X)		1PC
(P)	 M5x12mm	48PCS	(Y)		2PCS
(Q)	 4.2x25mm	2PCS	(Z)	 Ø12mm	1PC
(S)		26PCS			

SKU2

REF	PICTURE		QTY		
(B1)			1PC		
(G)			1PC		
(H)			1PC		
(F)			1PC		
REF	PICTURE	QTY	REF	PICTURE	QTY
(L)		1PC	(T)		20PCS
(M)		24PCS	(V)		1PC
(P)	 M5x12mm	48PCS	(X)		1PC
(Q)	 4.2x25mm	2PCS	(Y)		2PCS
(S)		26PCS			

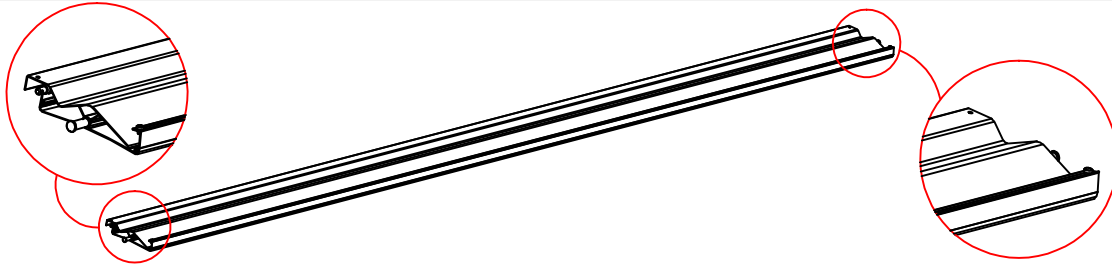
SKU8

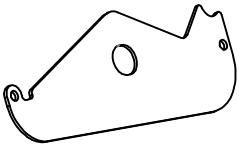
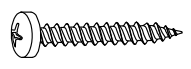
REF	PICTURE	QTY
AA2		1PC
B4		1PC

REF	PICTURE	QTY
N3		1PC
R	 5.5x19mm	2PCS

REF	PICTURE	QTY

SKU13

REF	PICTURE	QTY
D		12PCS

REF	PICTURE	QTY		REF	PICTURE	QTY
K		24PCS				
Q	 4.2x25mm	50PCS				

An additional louver is included for each 3.6x3.6 module.

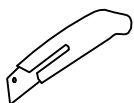
Warning

In snow season or in case of snow forecast open up your shutters in vertical position to avoid any damaging on your pergola.

What you need?



Glove



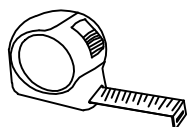
Knife



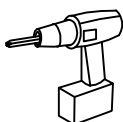
Hammer



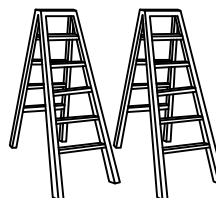
Safety hat



Tapeline

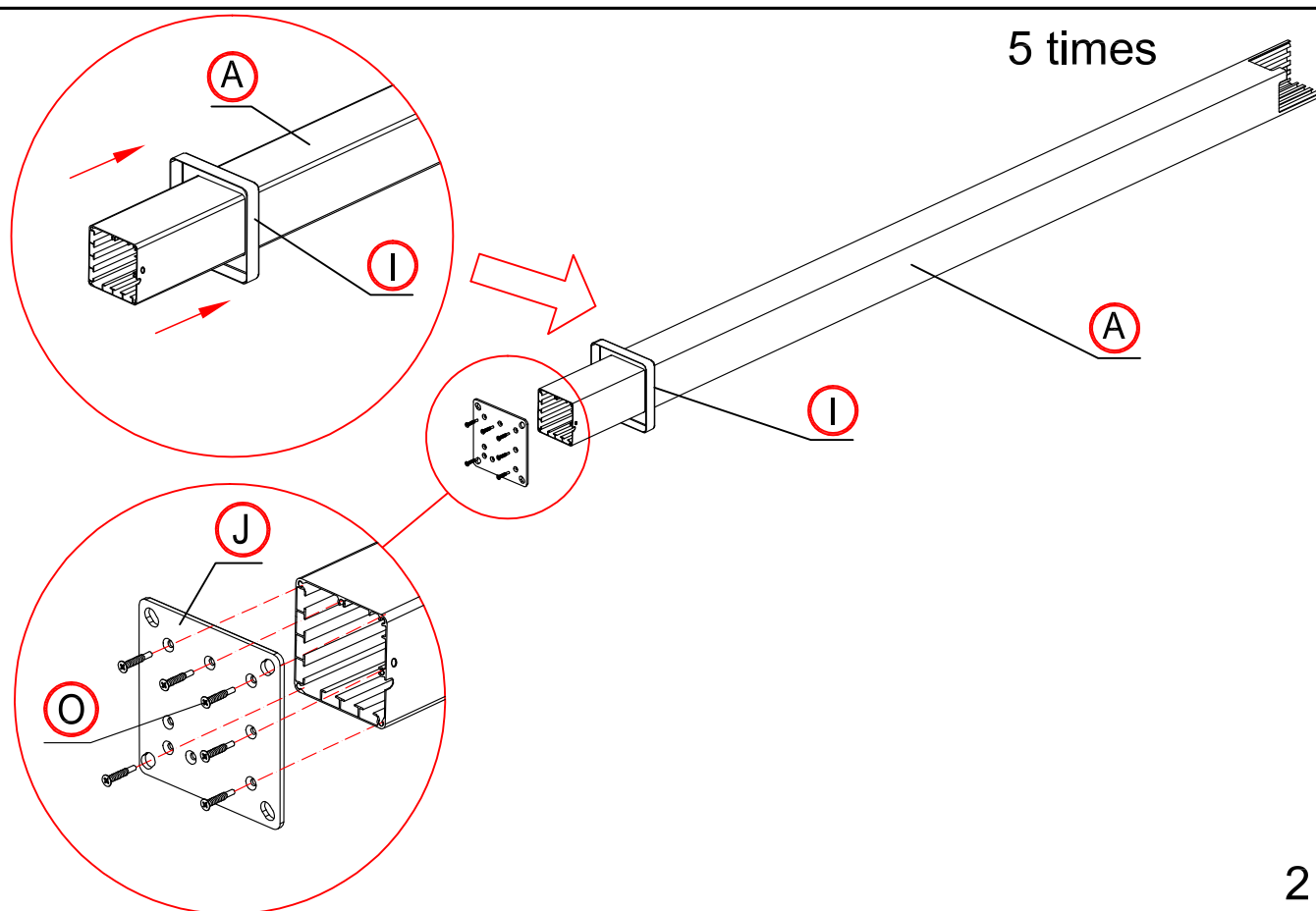


Electric screw driver



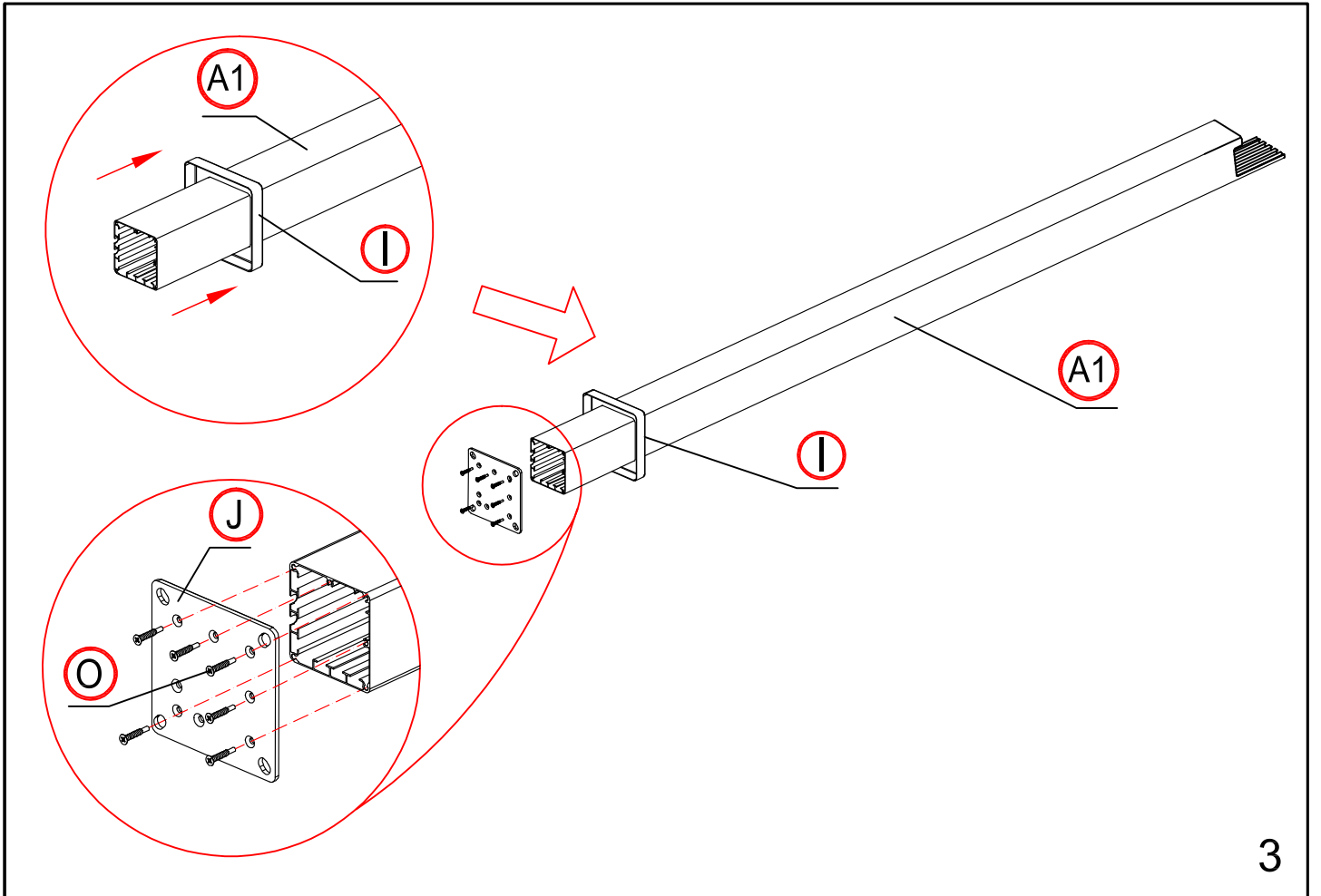
Ladder

1

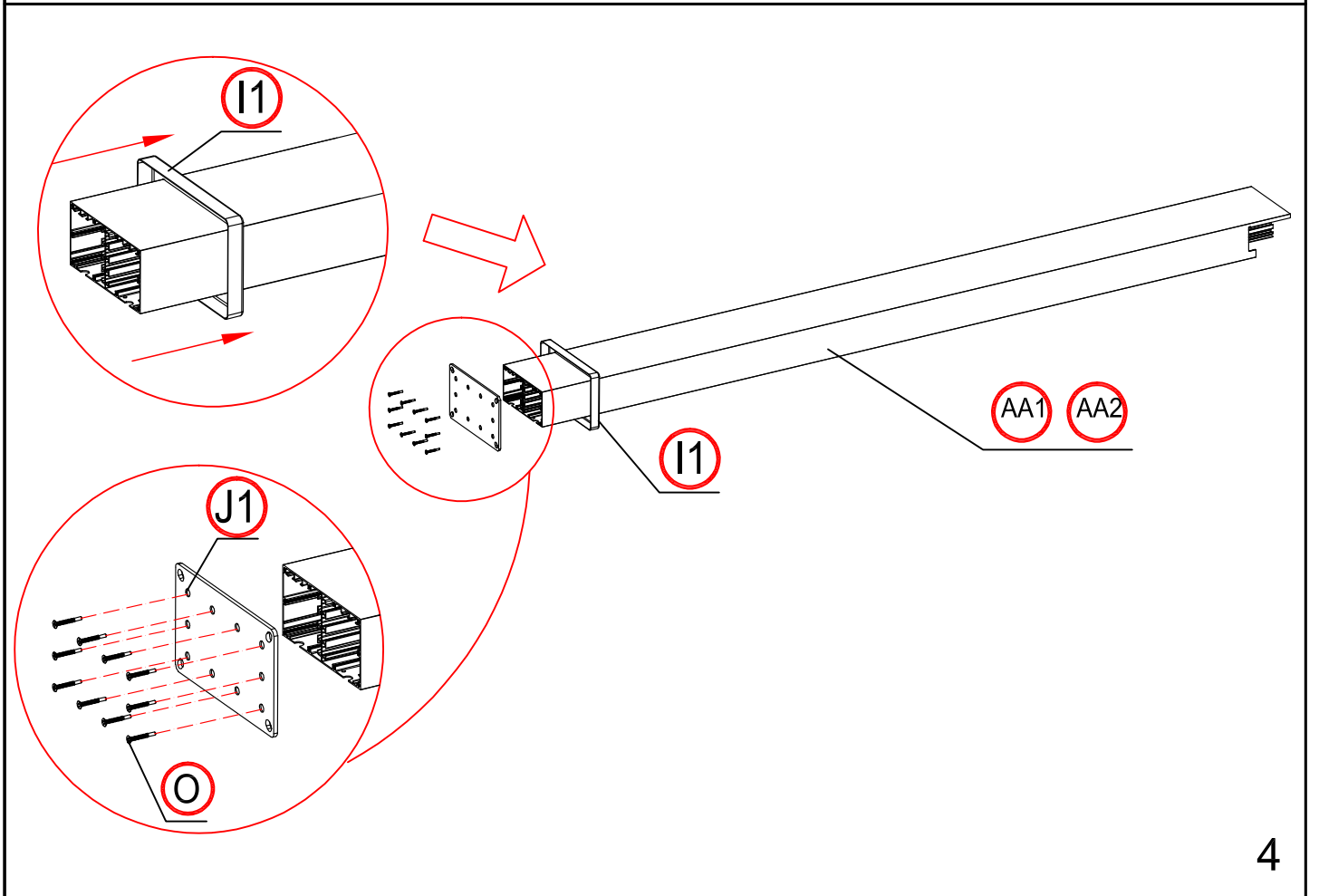


2

1

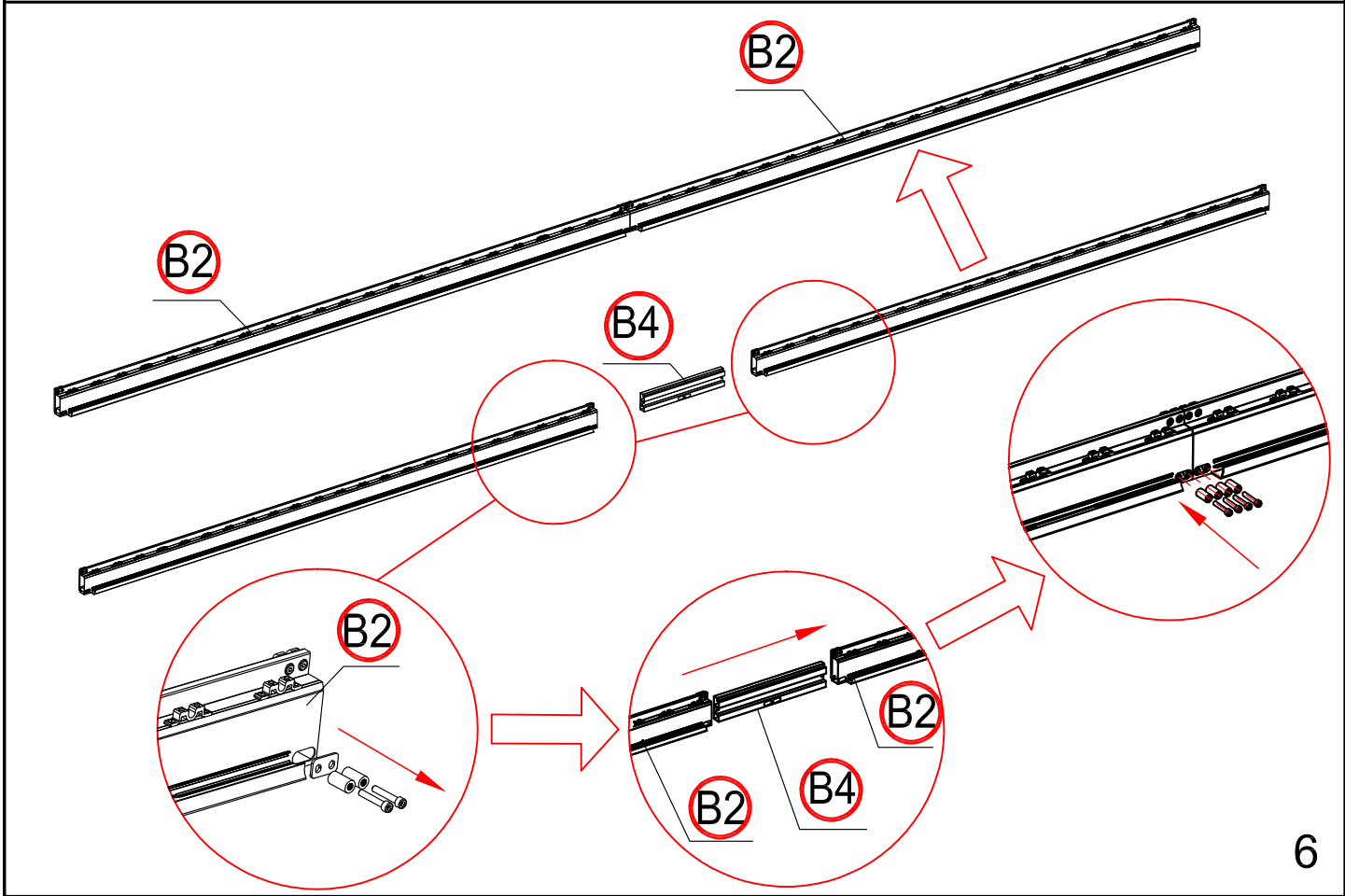
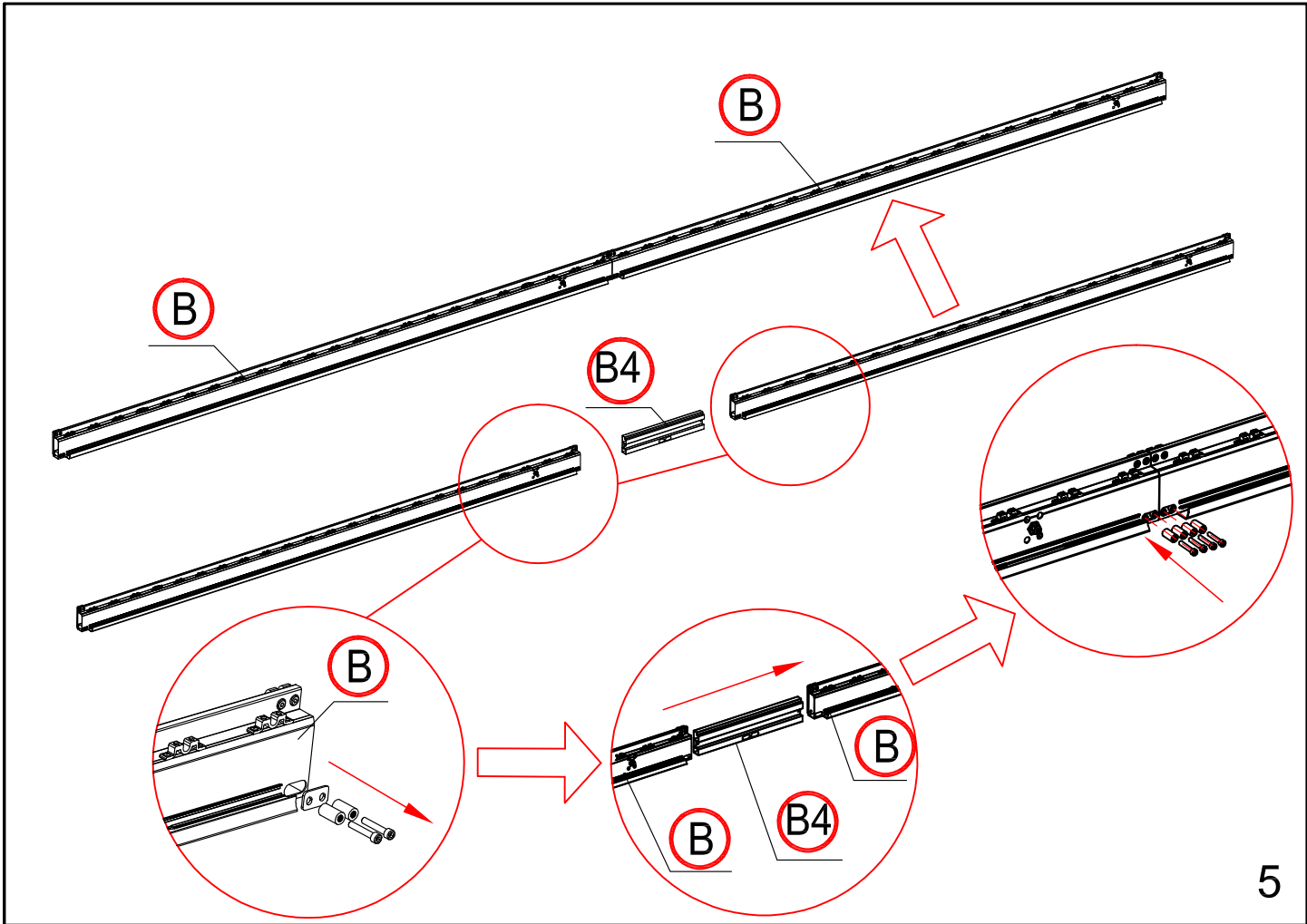


3

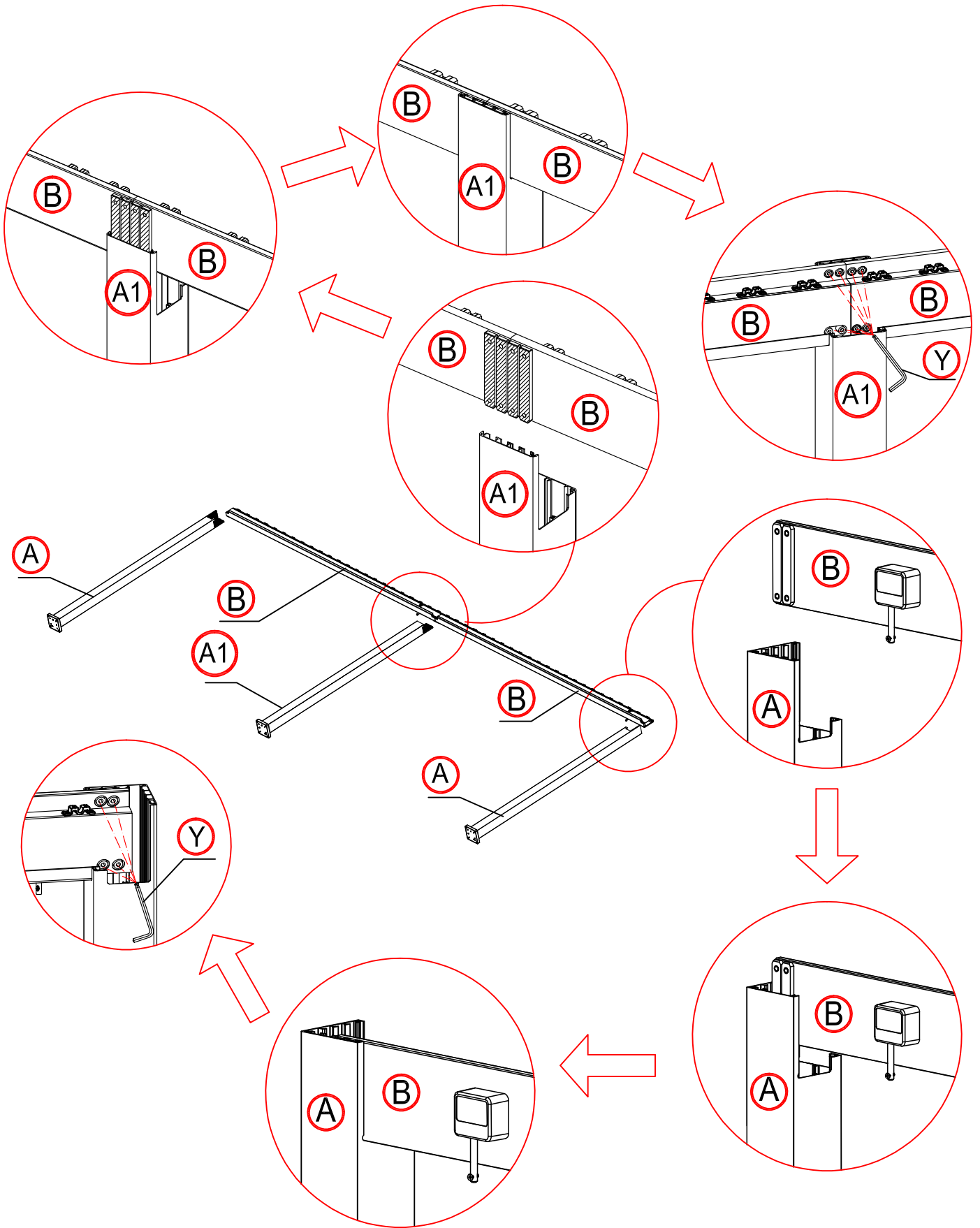


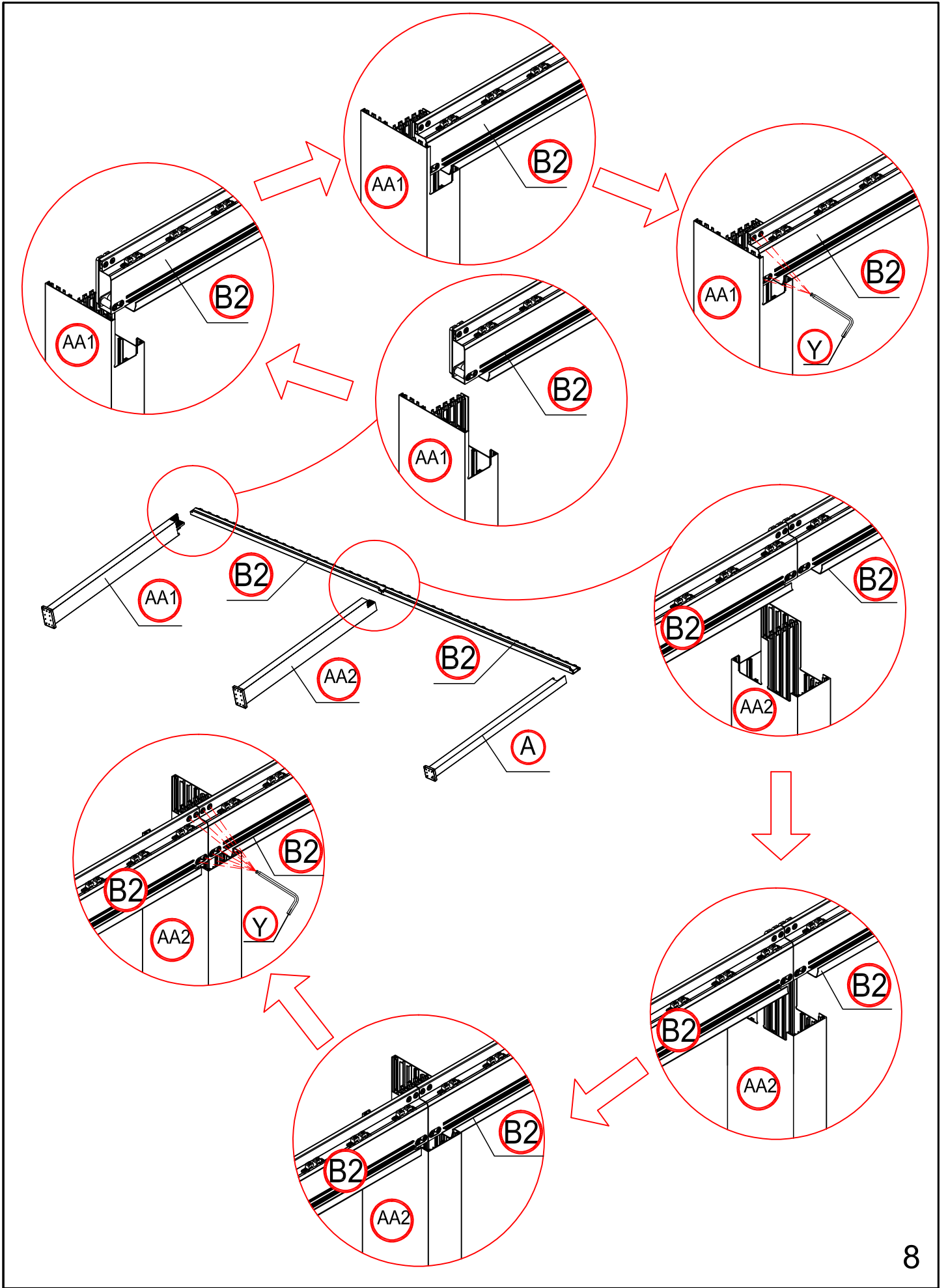
4

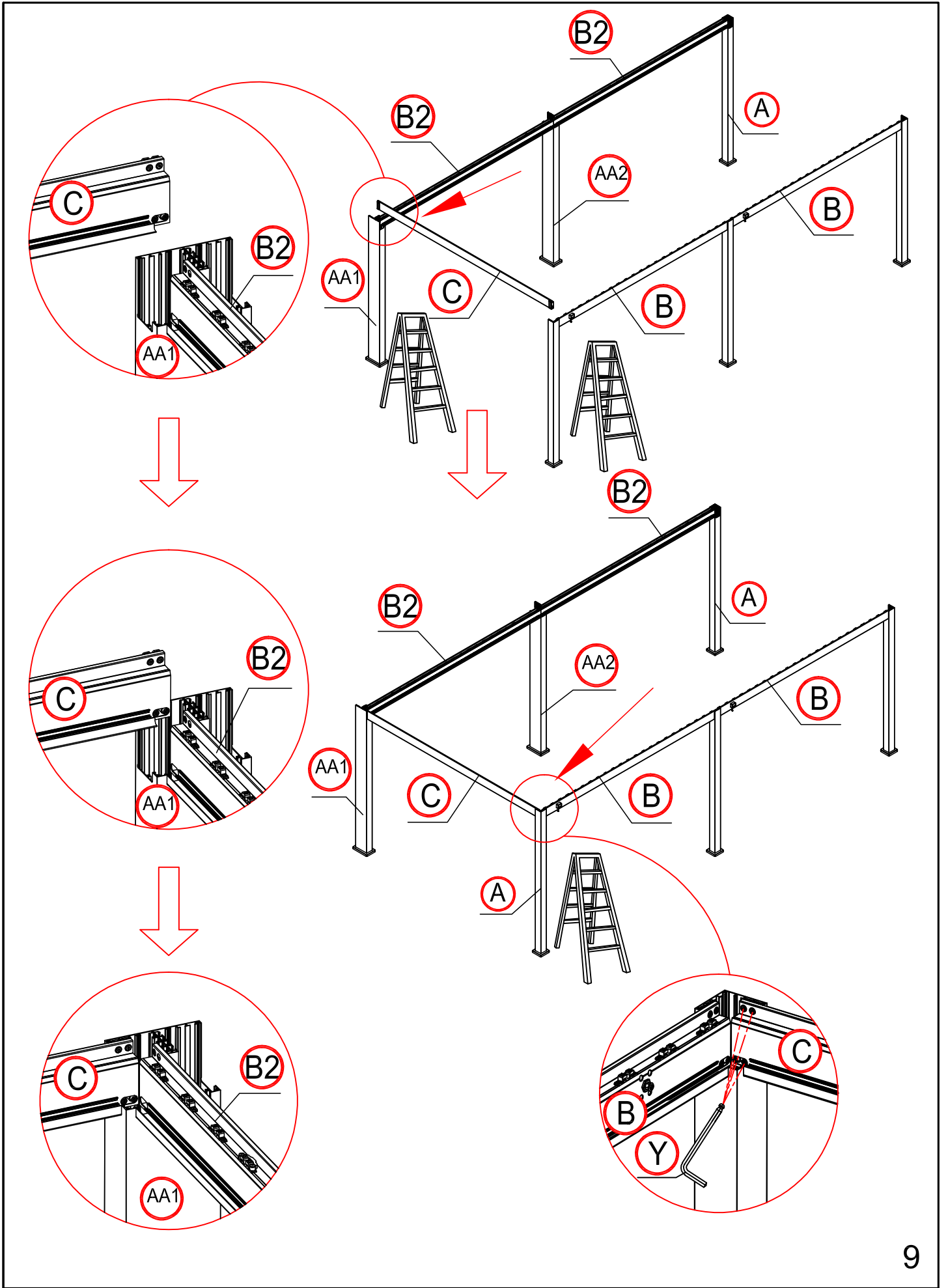
2

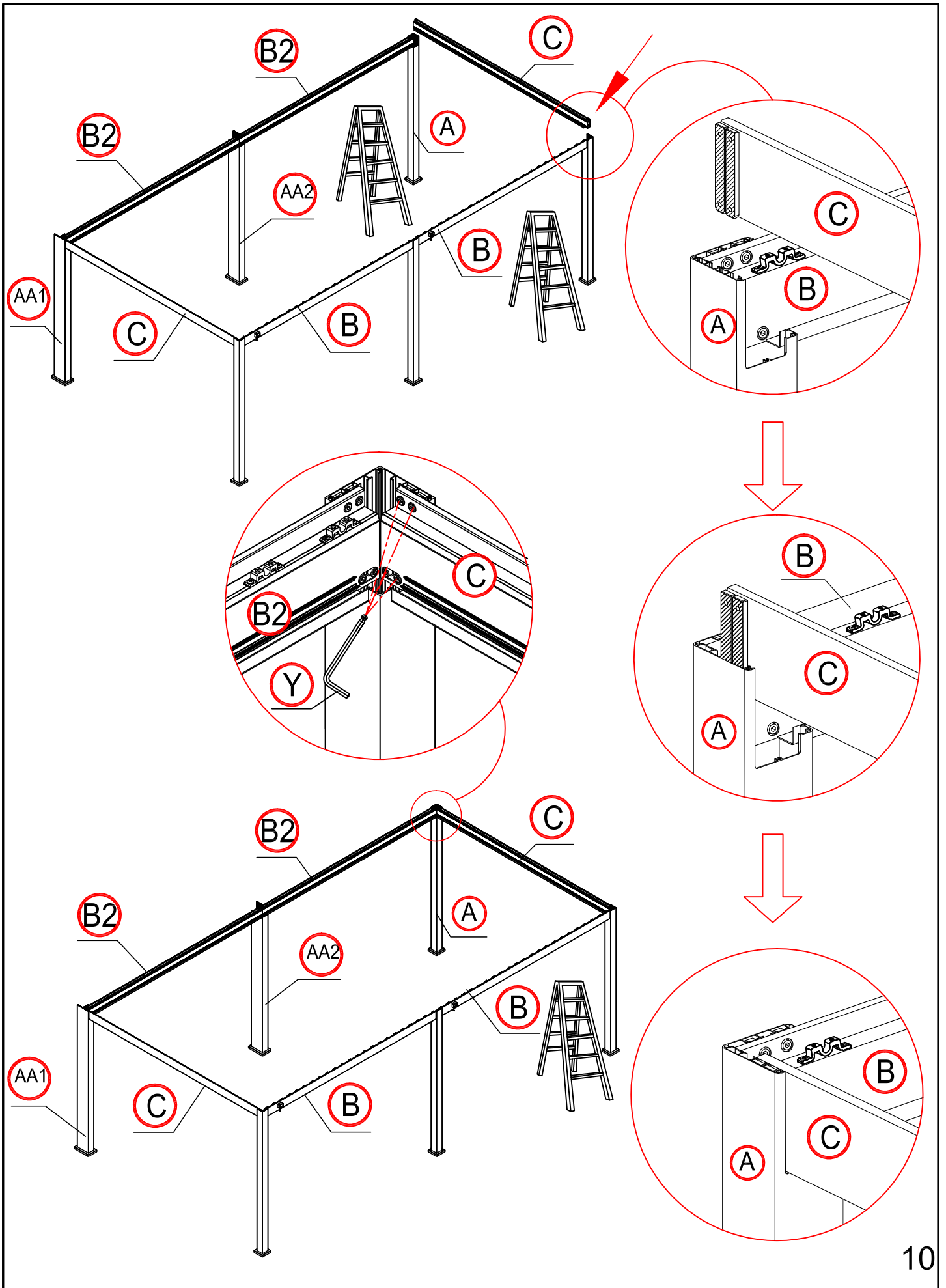


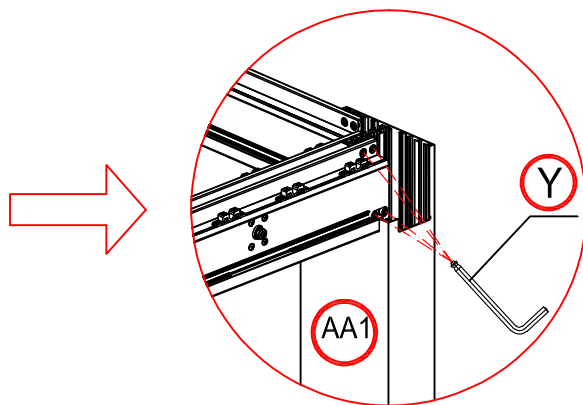
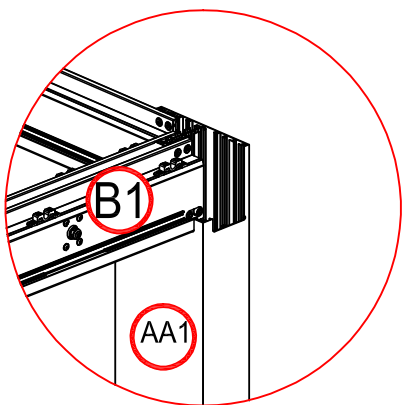
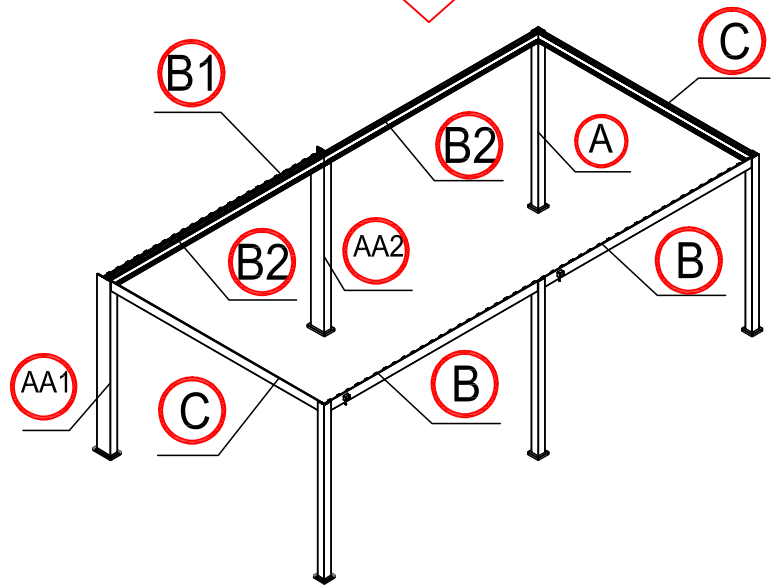
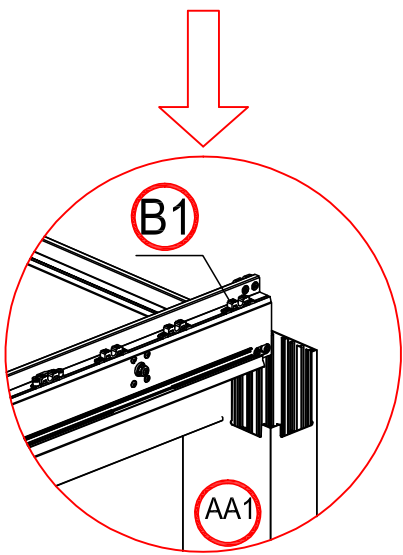
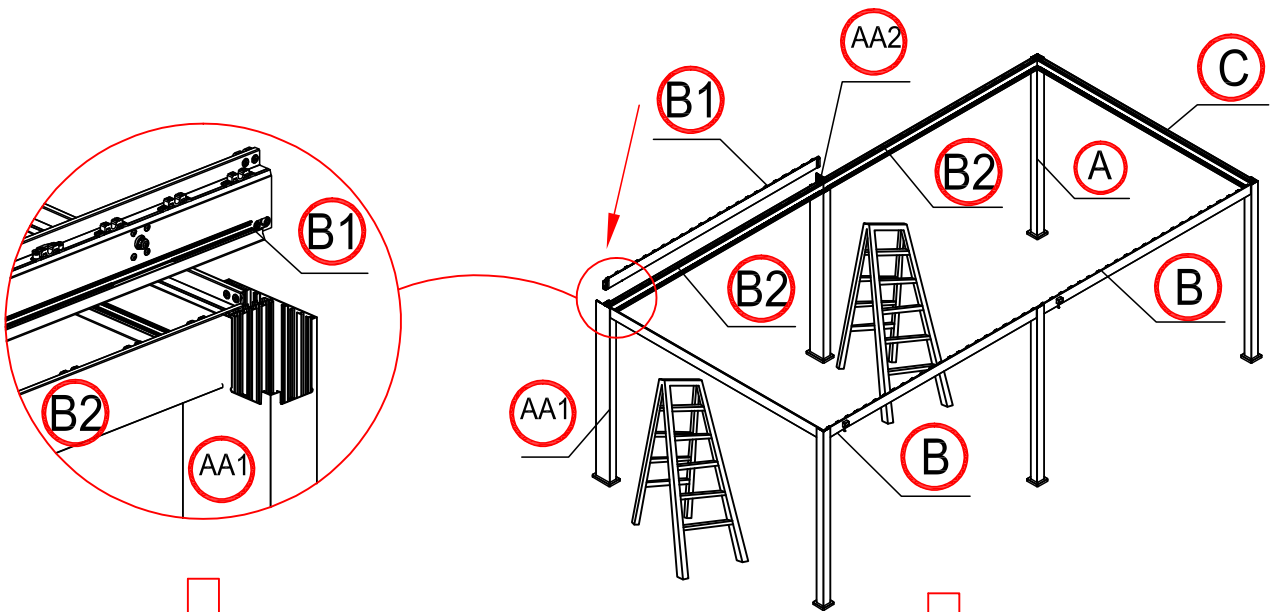
When assemble the beam and leg together, please loosen the screws fixing the flat irons first and then slide the flat irons into the corresponding slot on the leg.

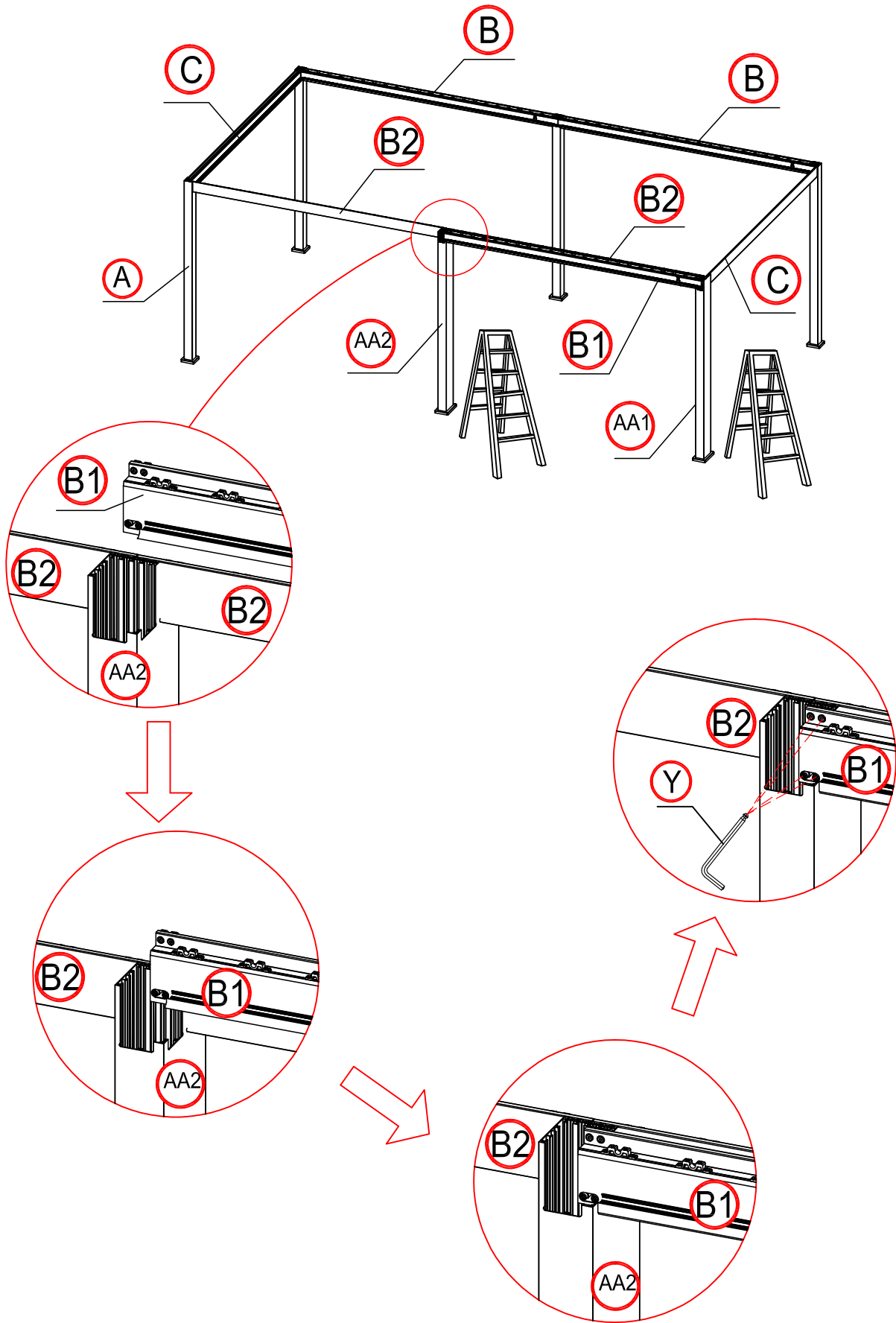


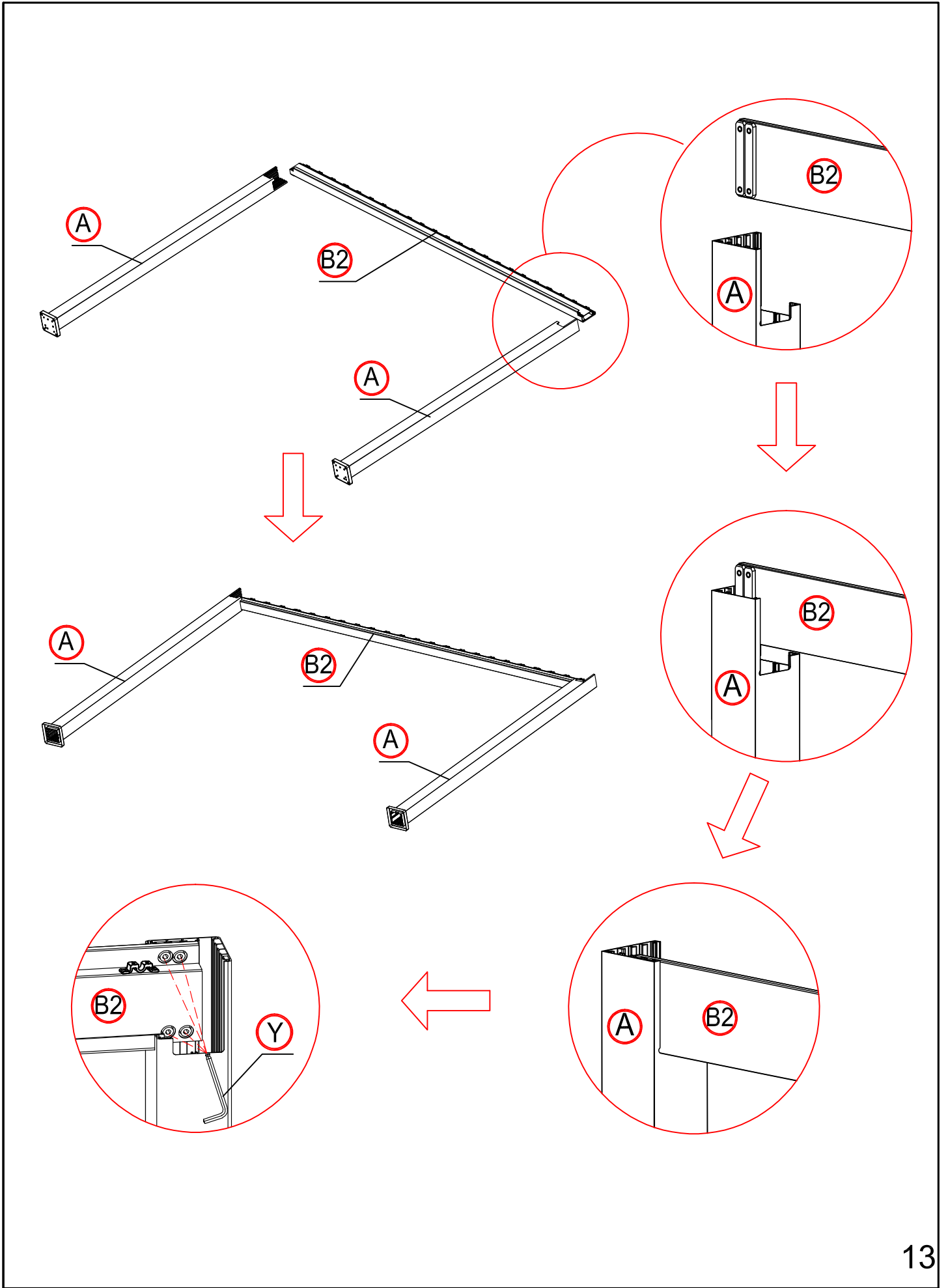


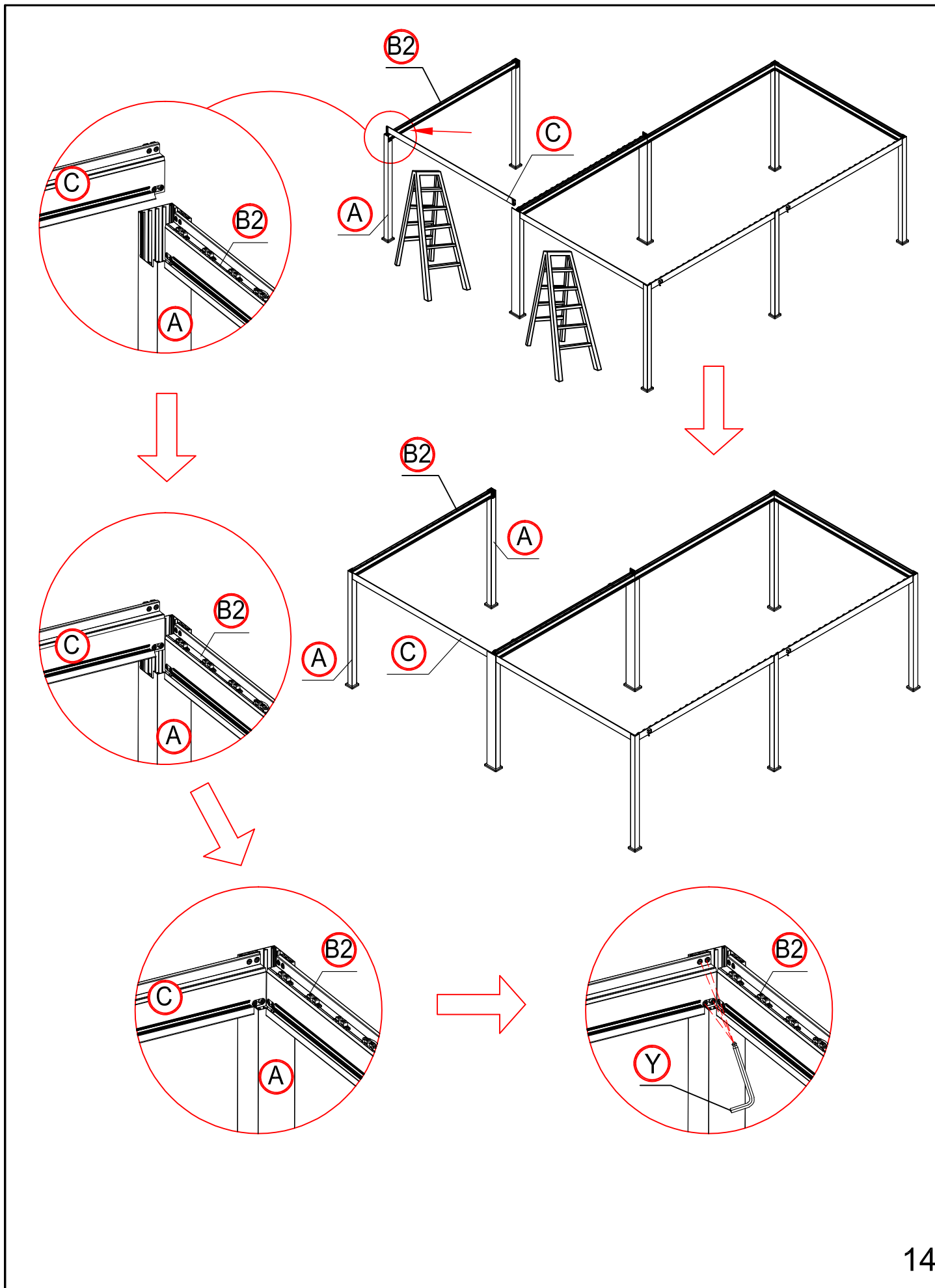


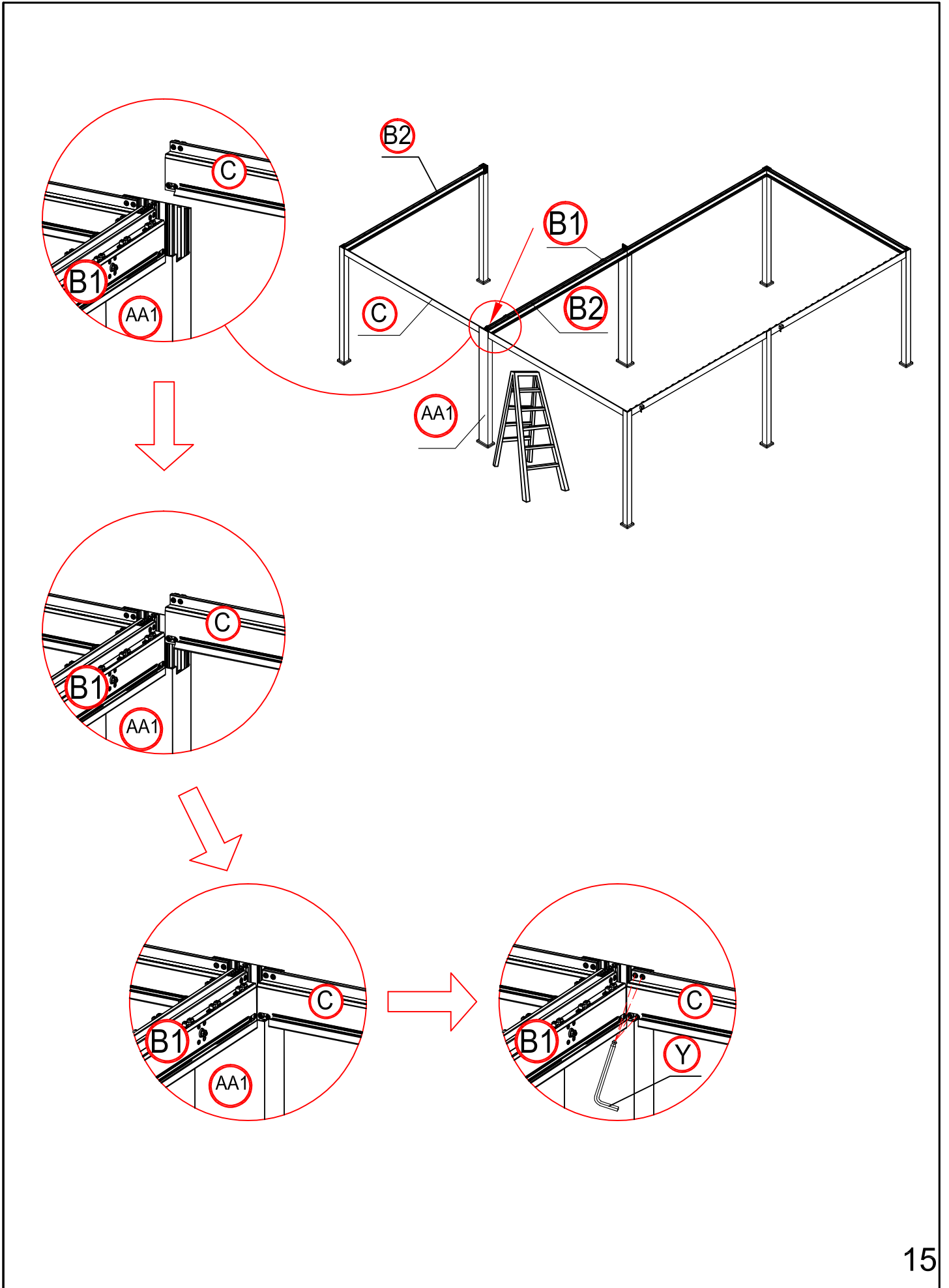


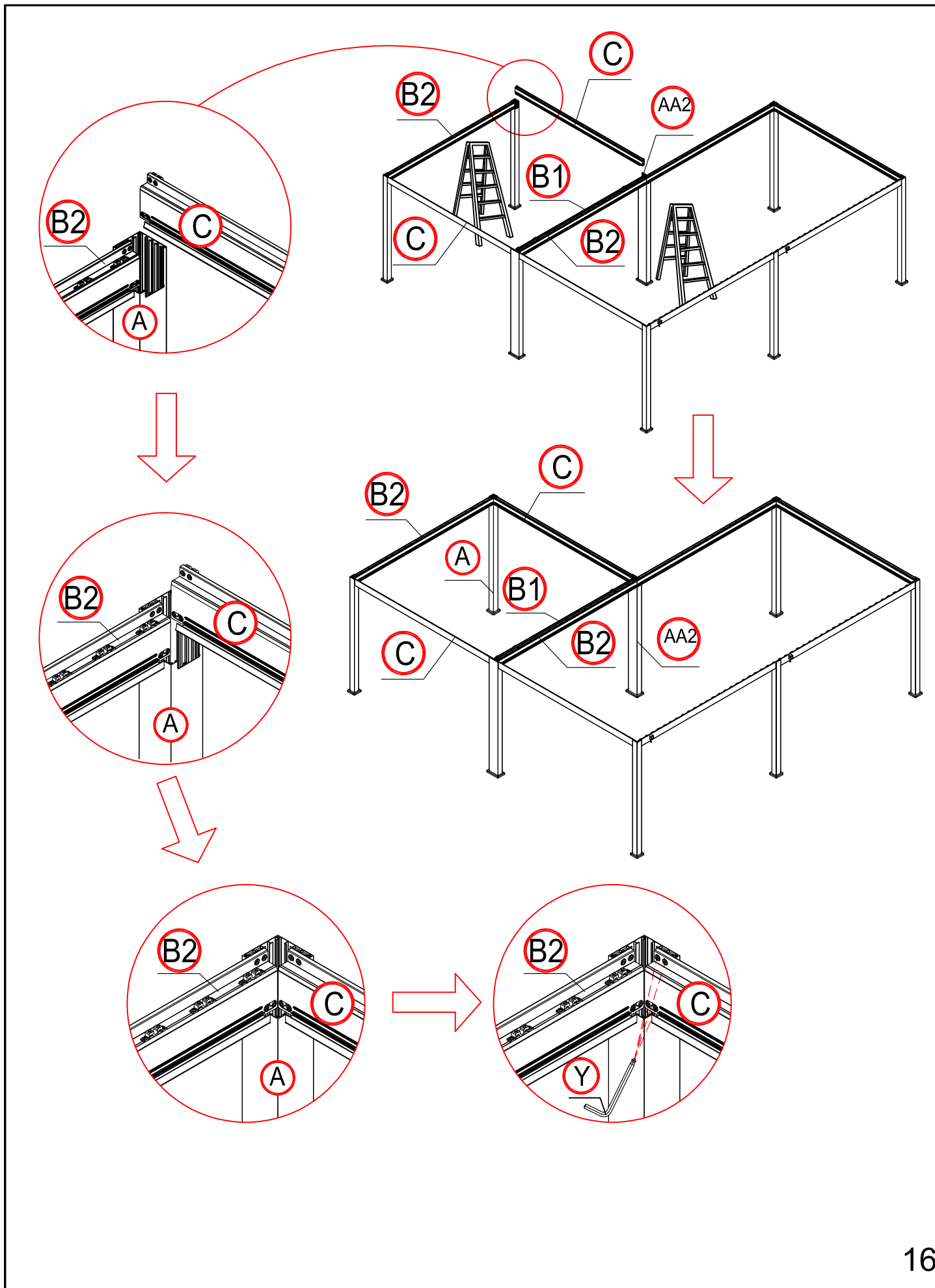


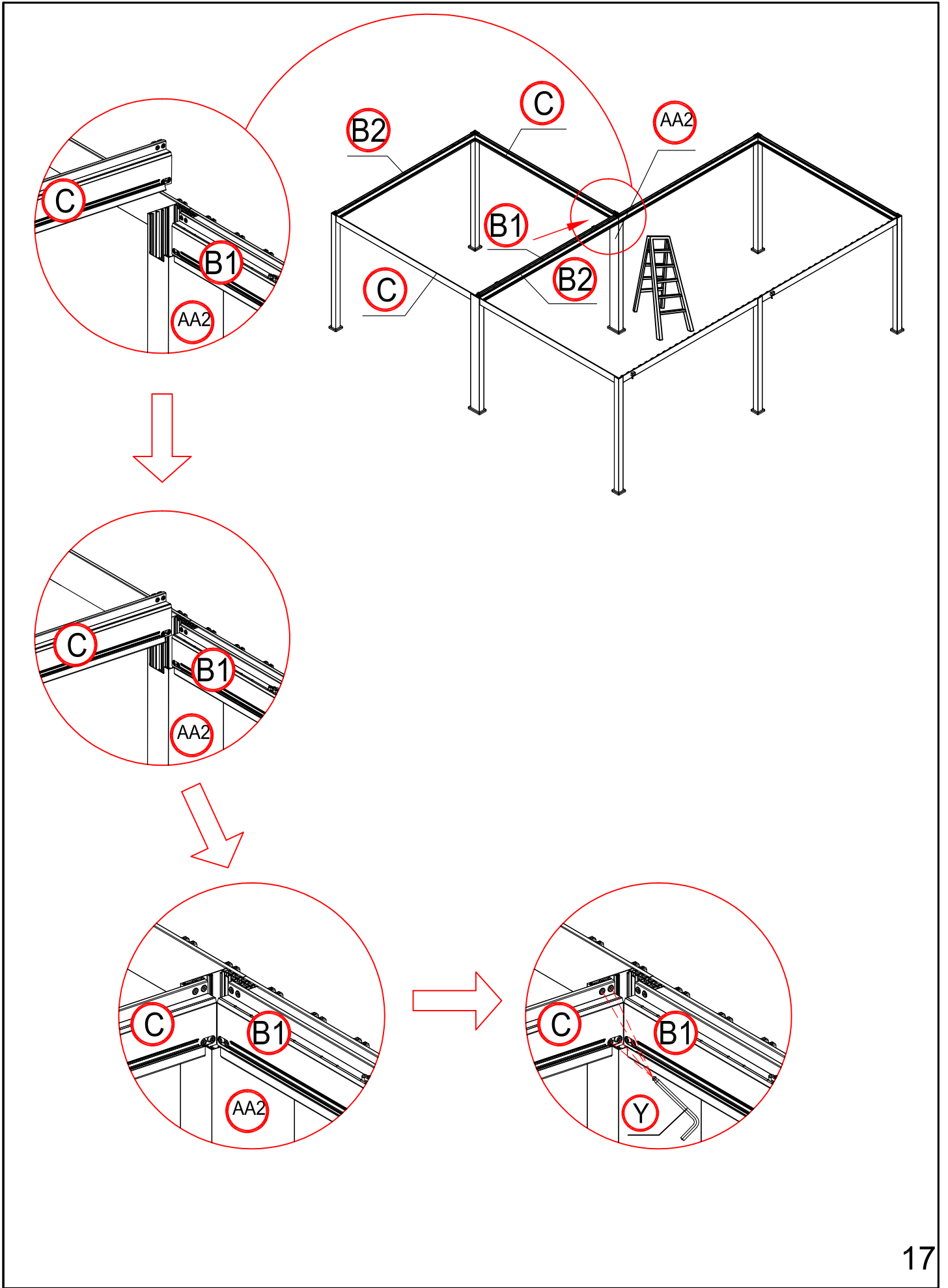




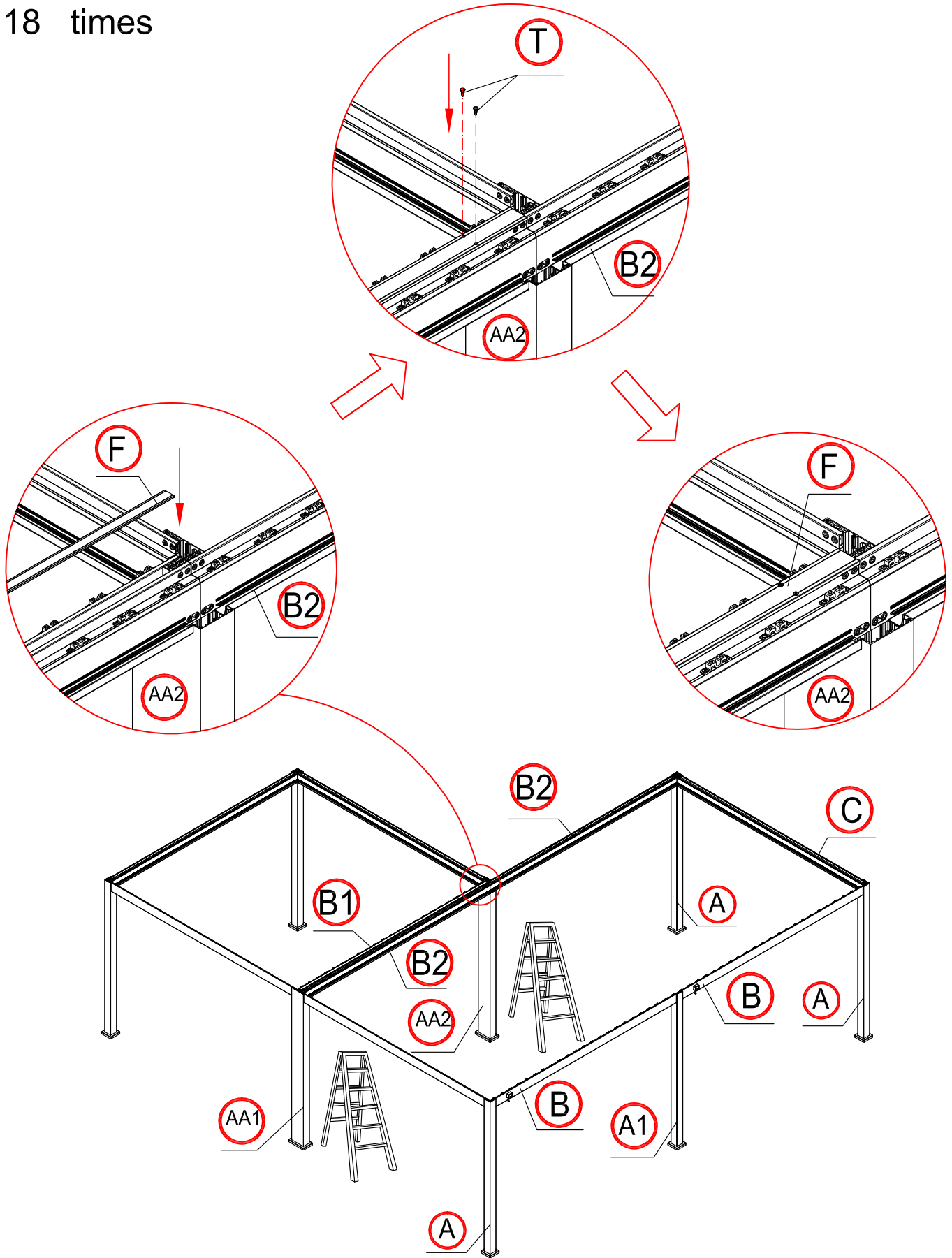


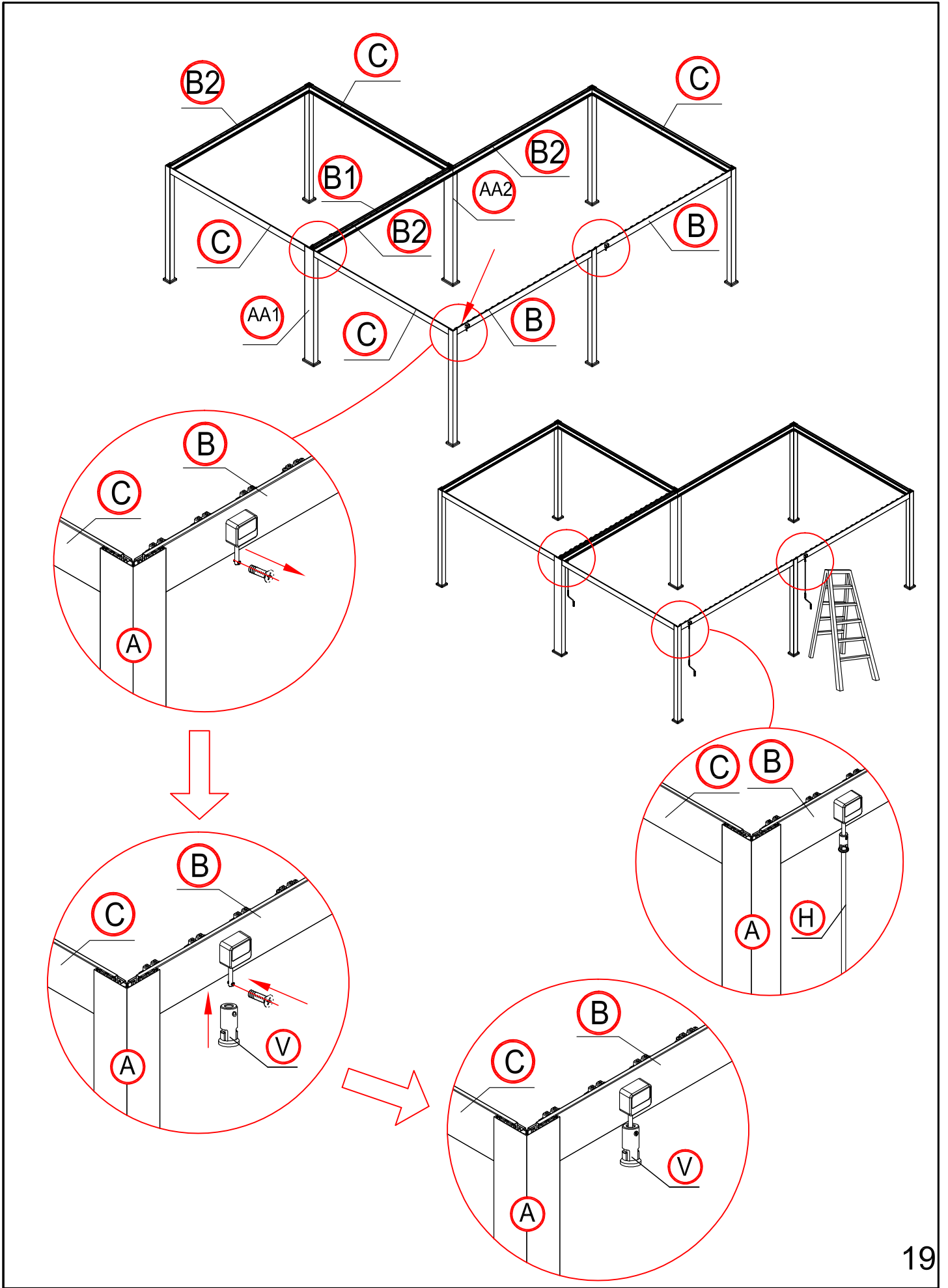




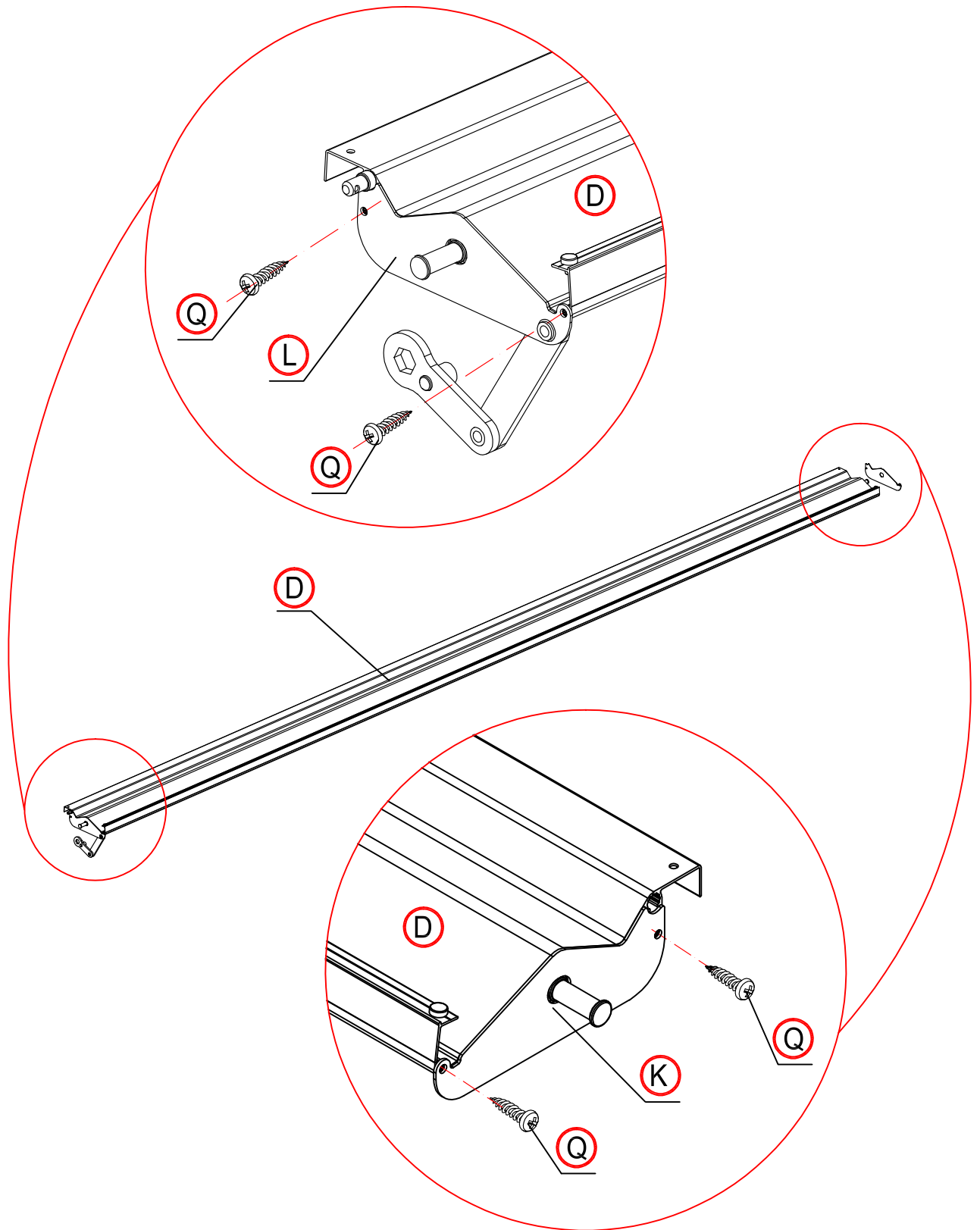


18 times

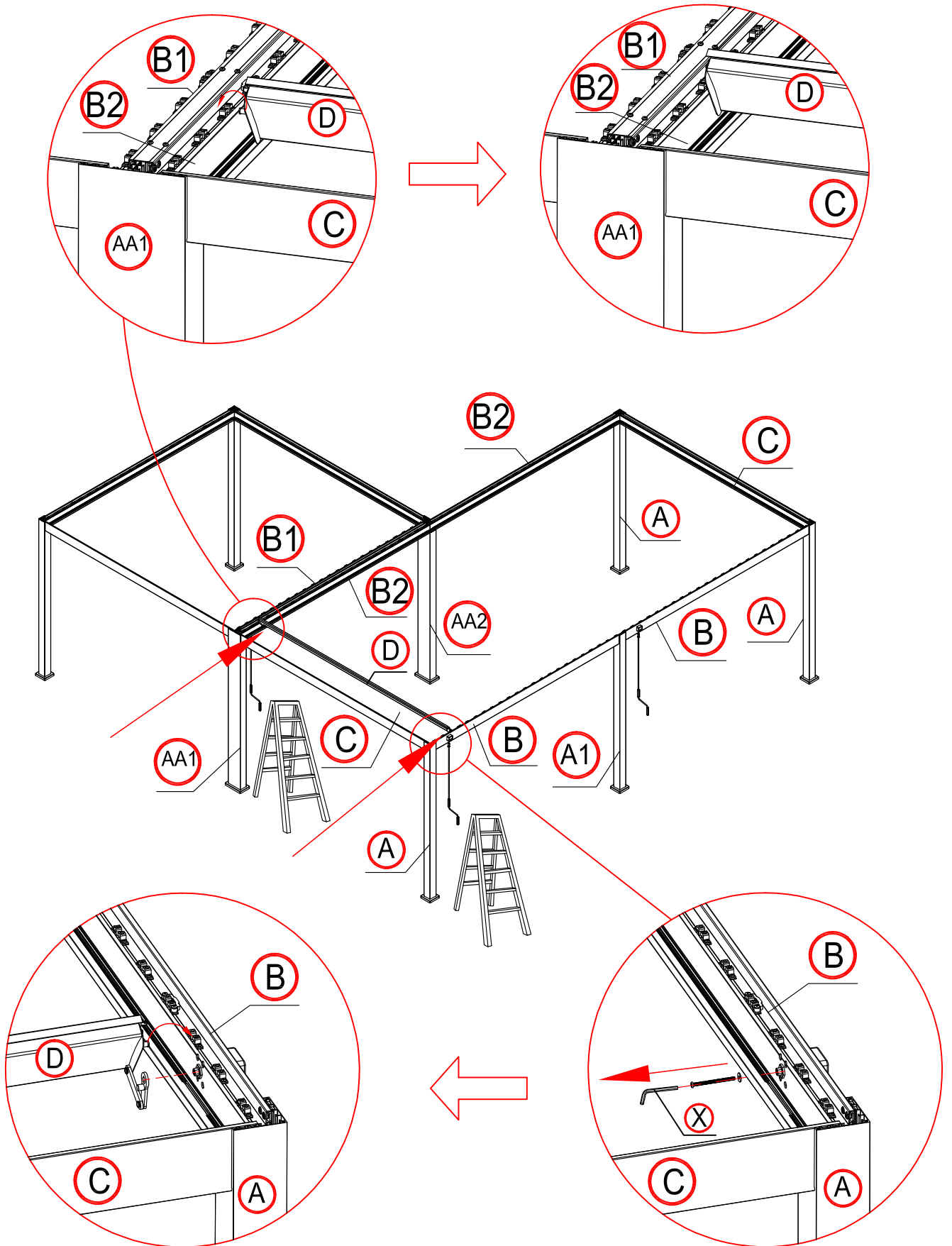


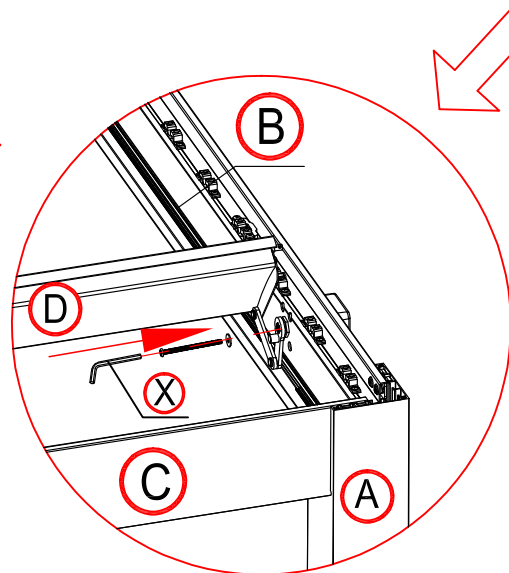
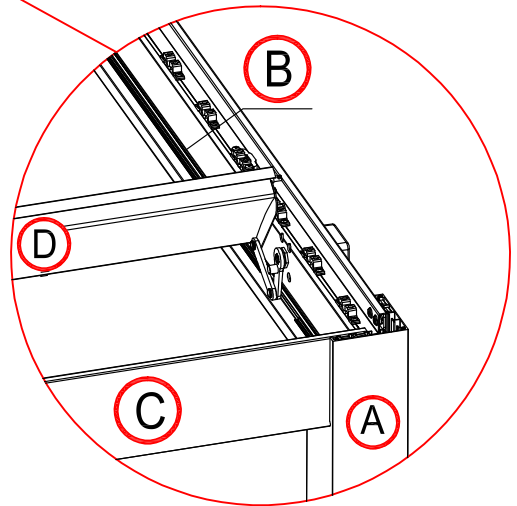
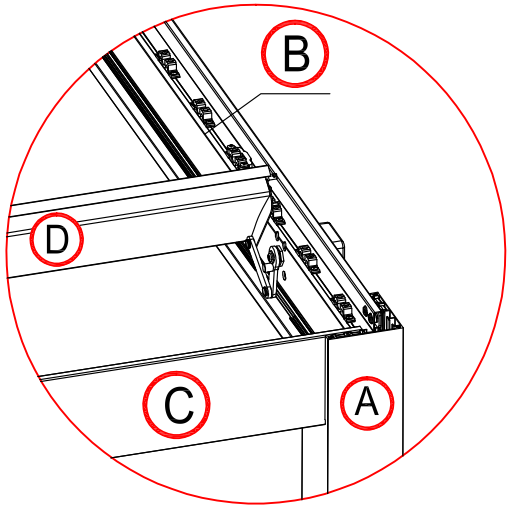
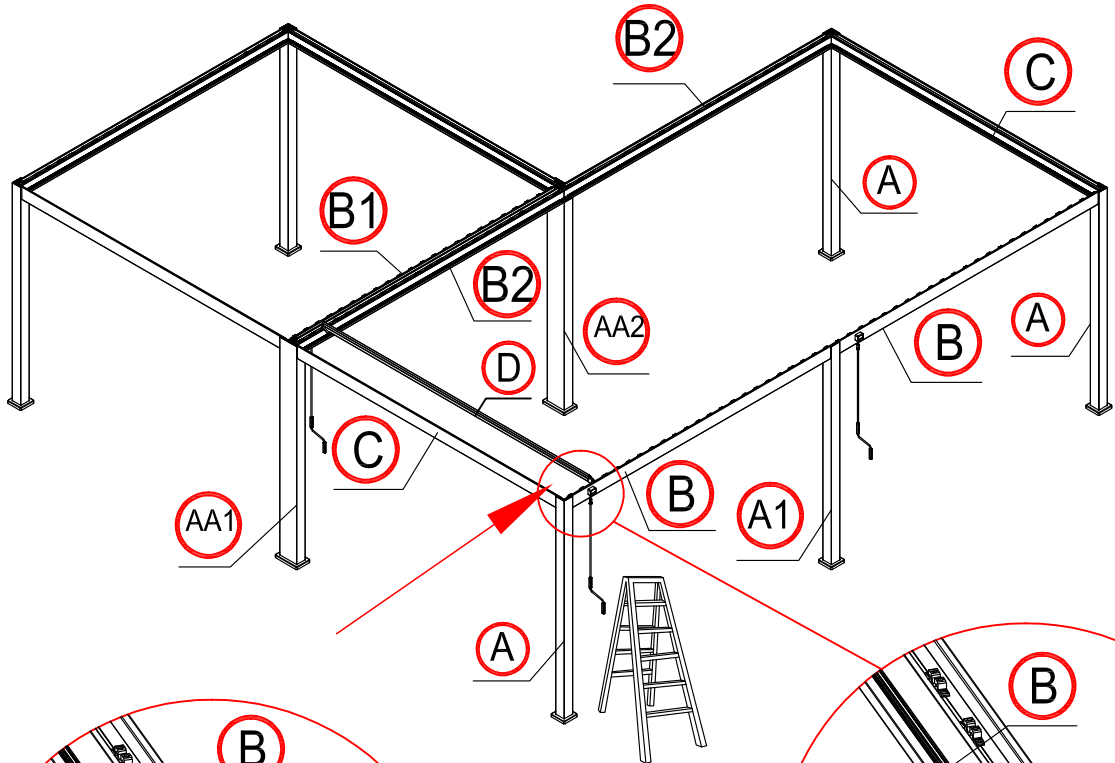


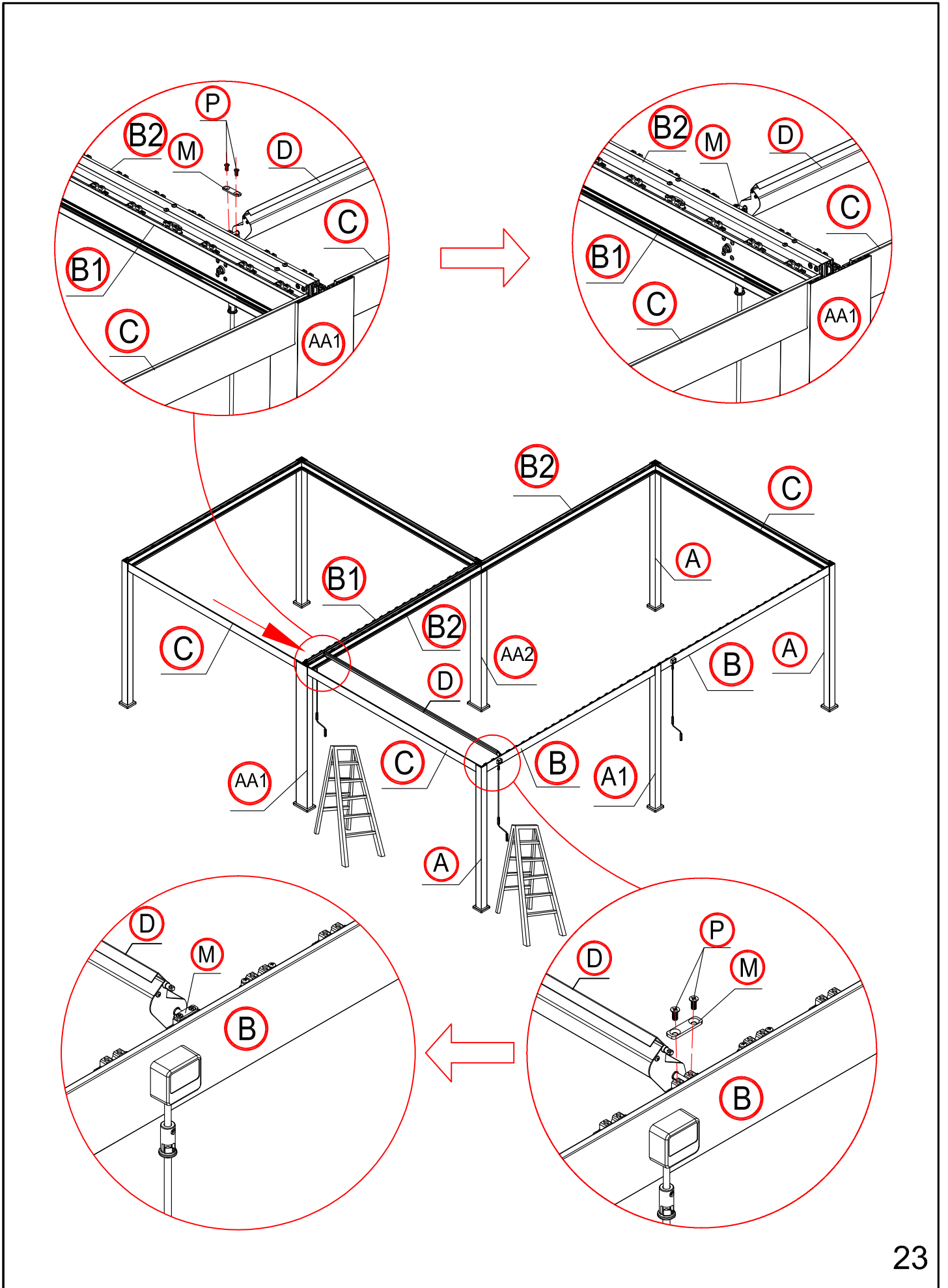
3 times



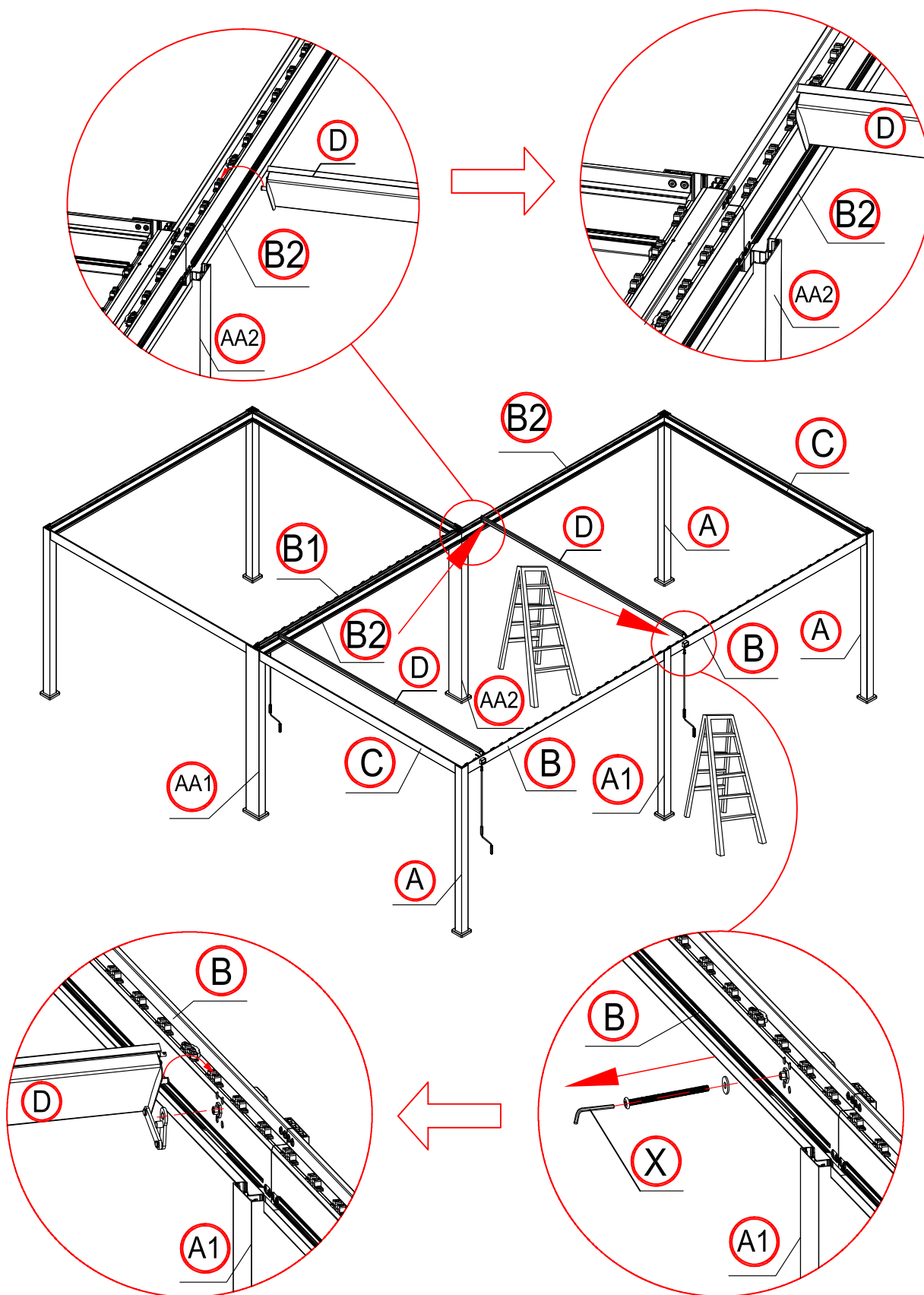
Assemble the third slice to the left.

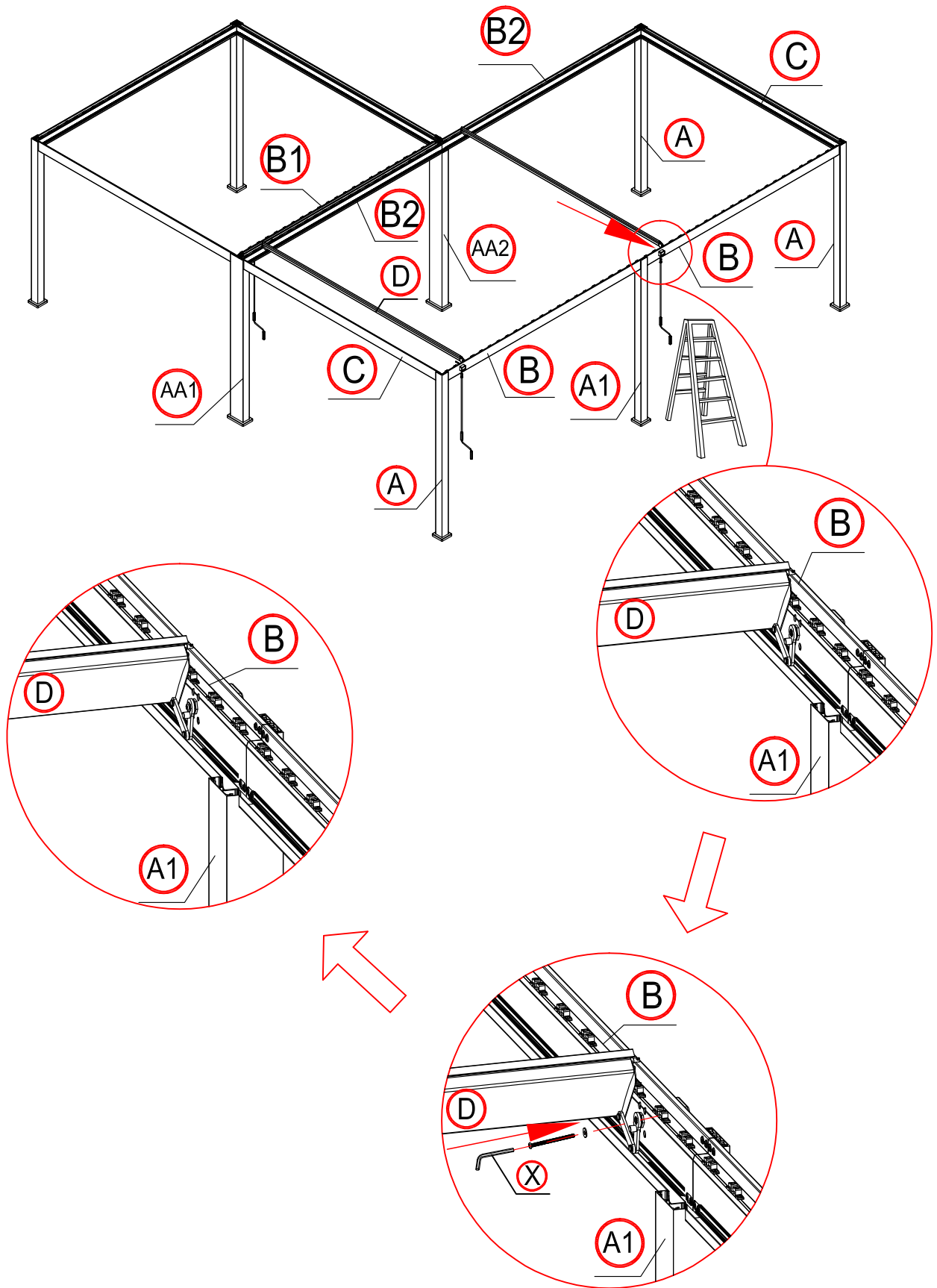


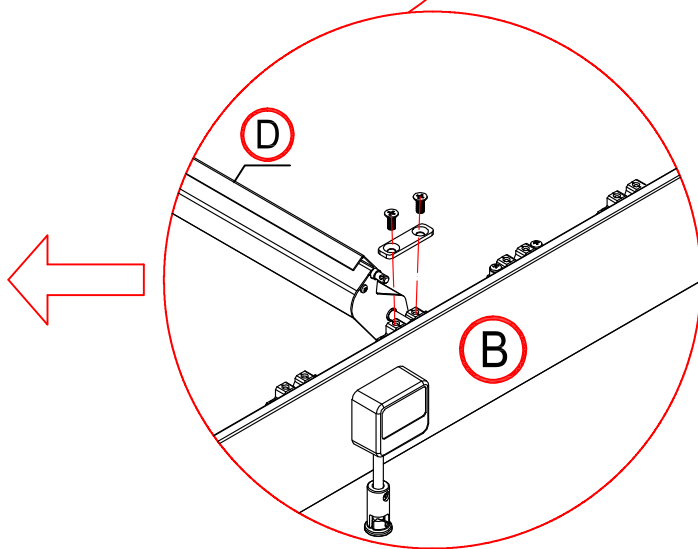
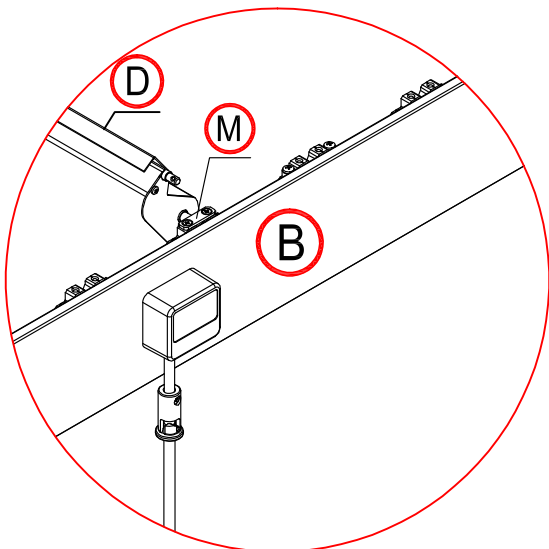
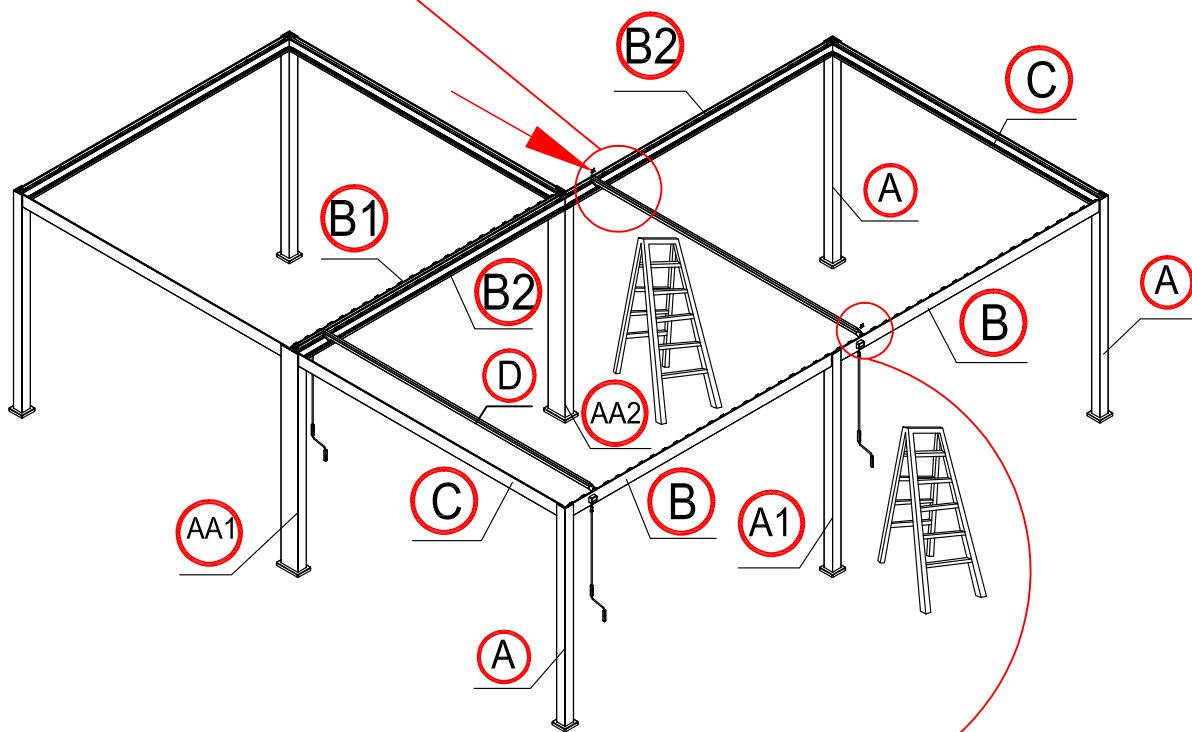
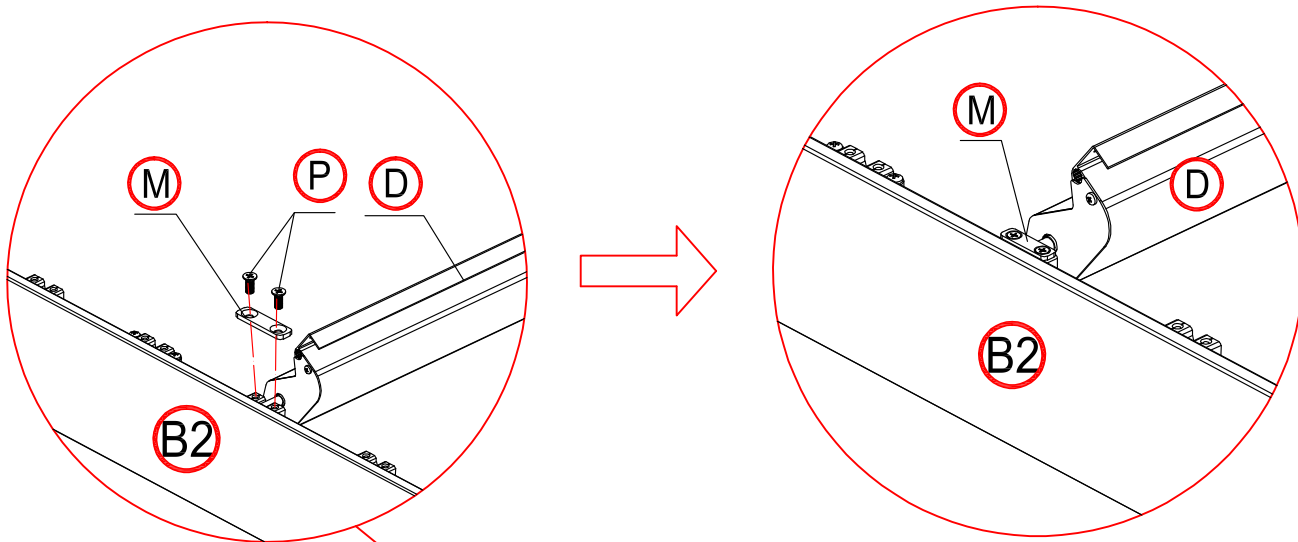




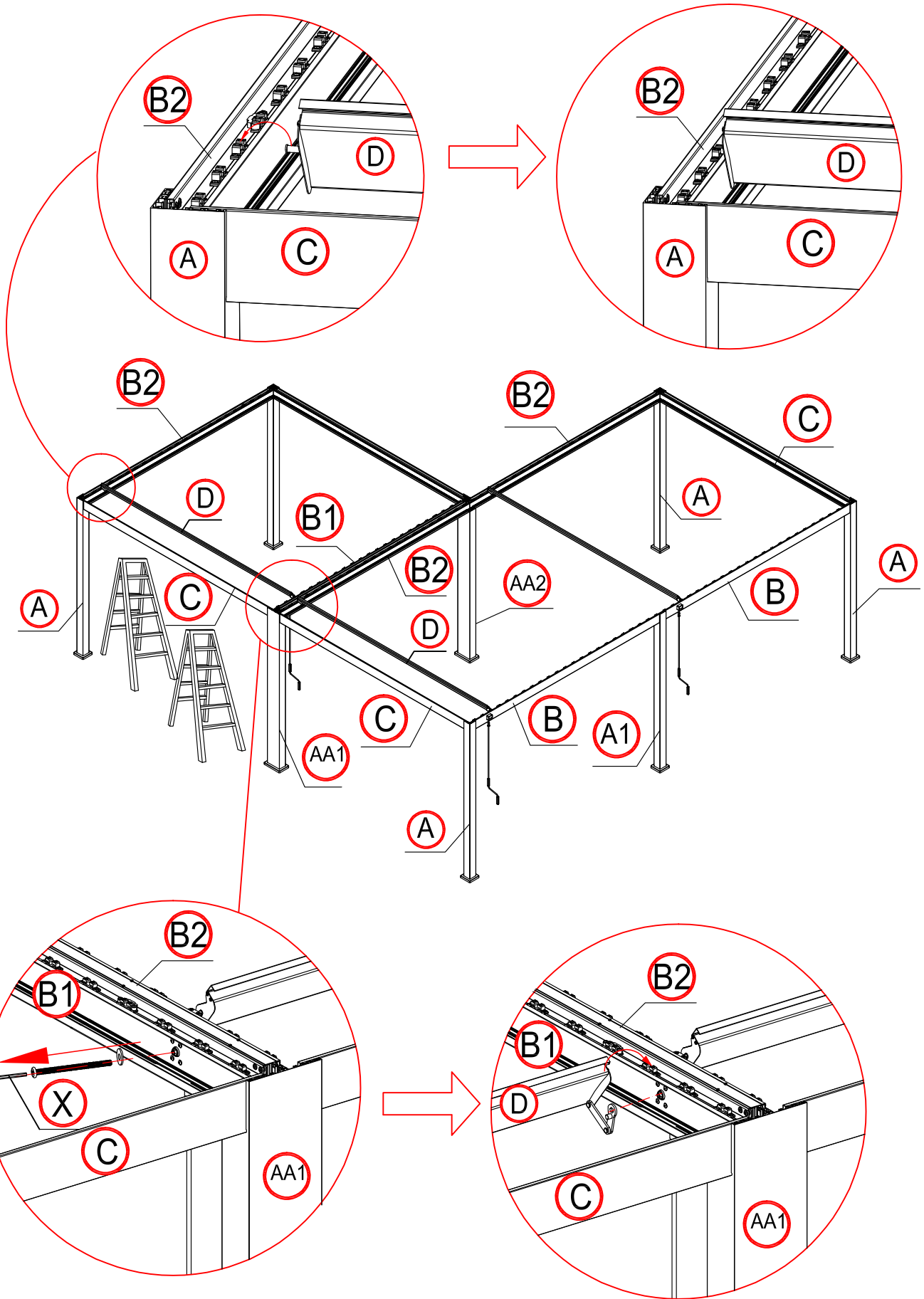
Assemble the third slice to the left.

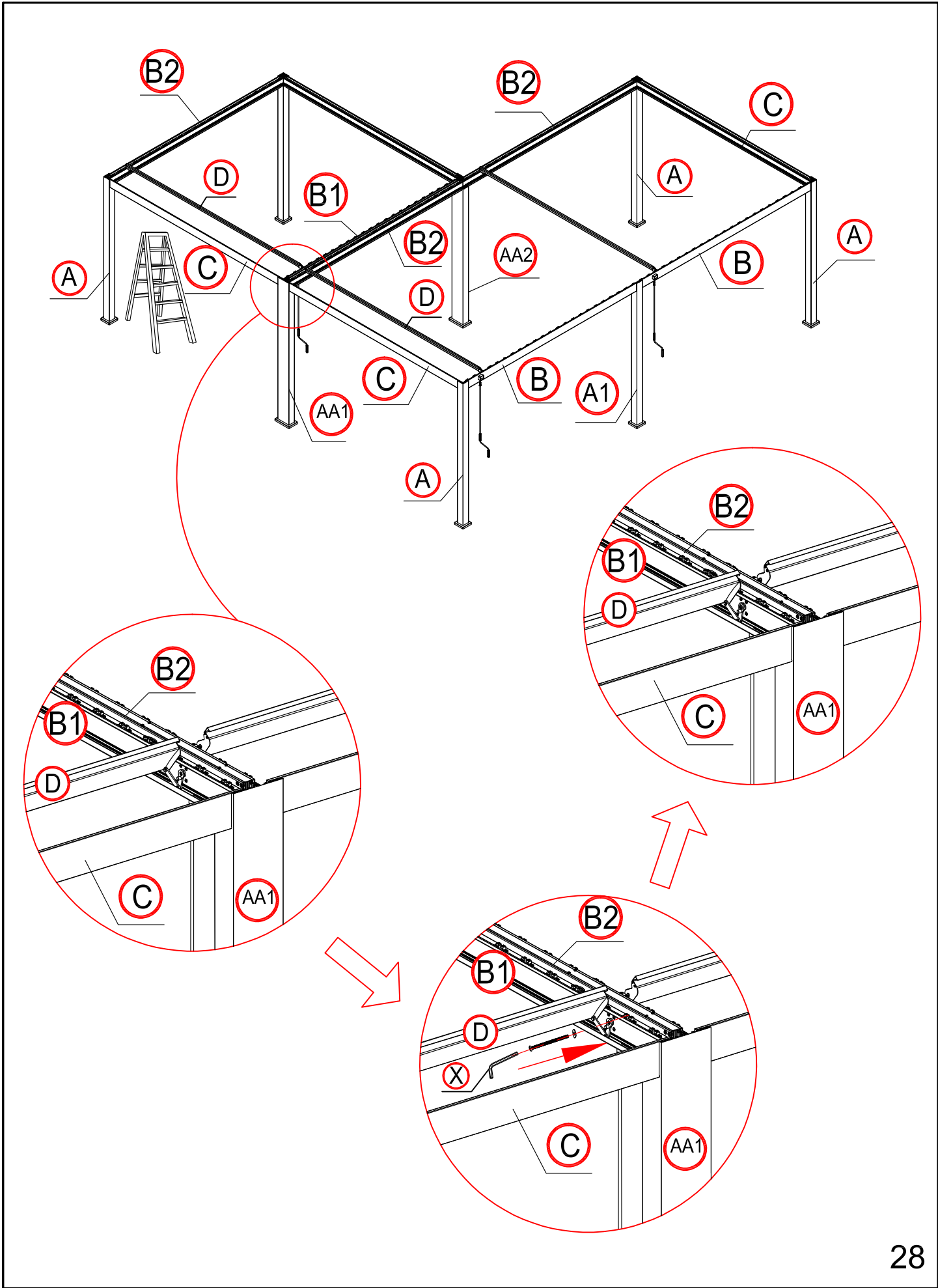


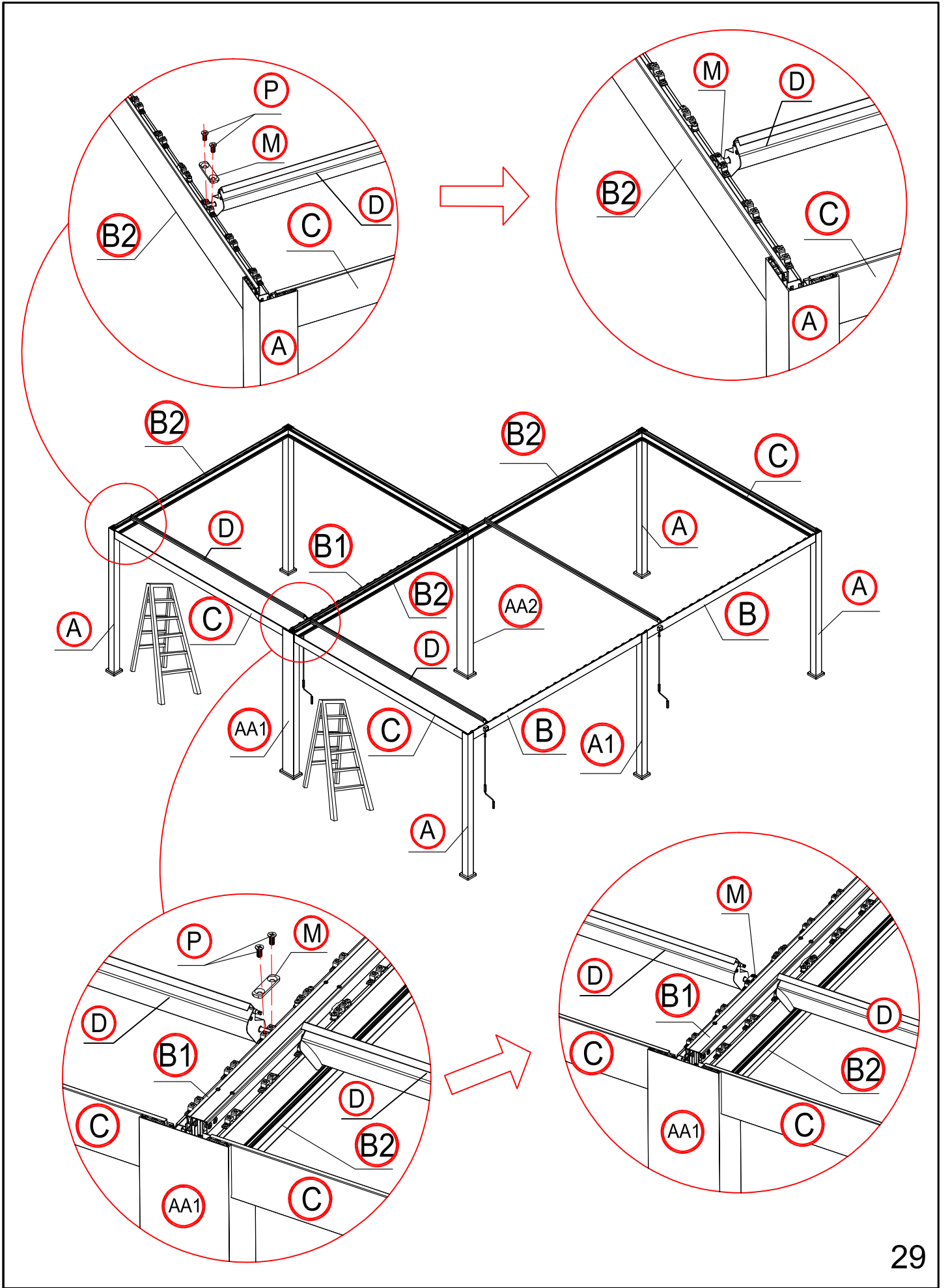




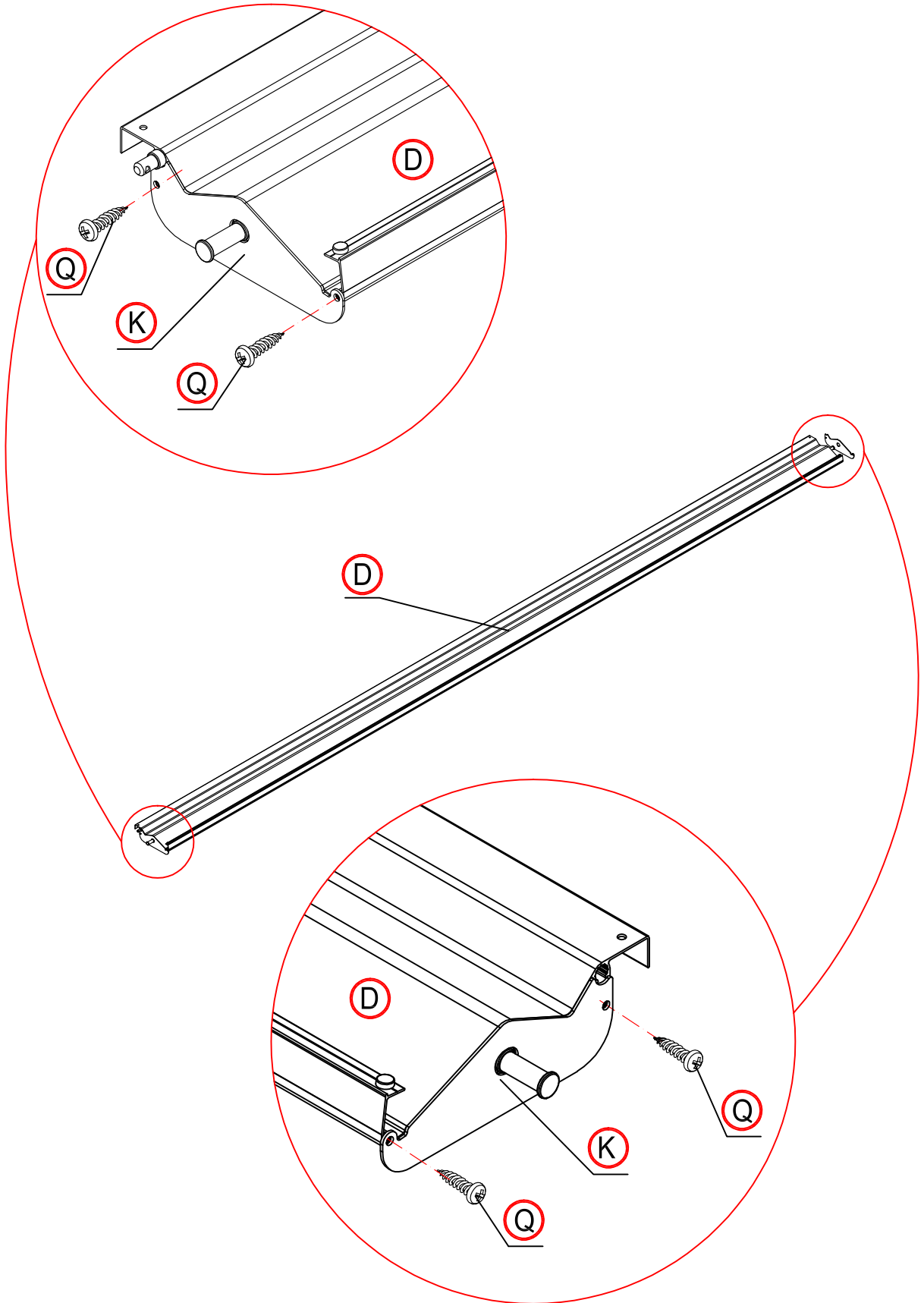
Assemble the third slice to the left.

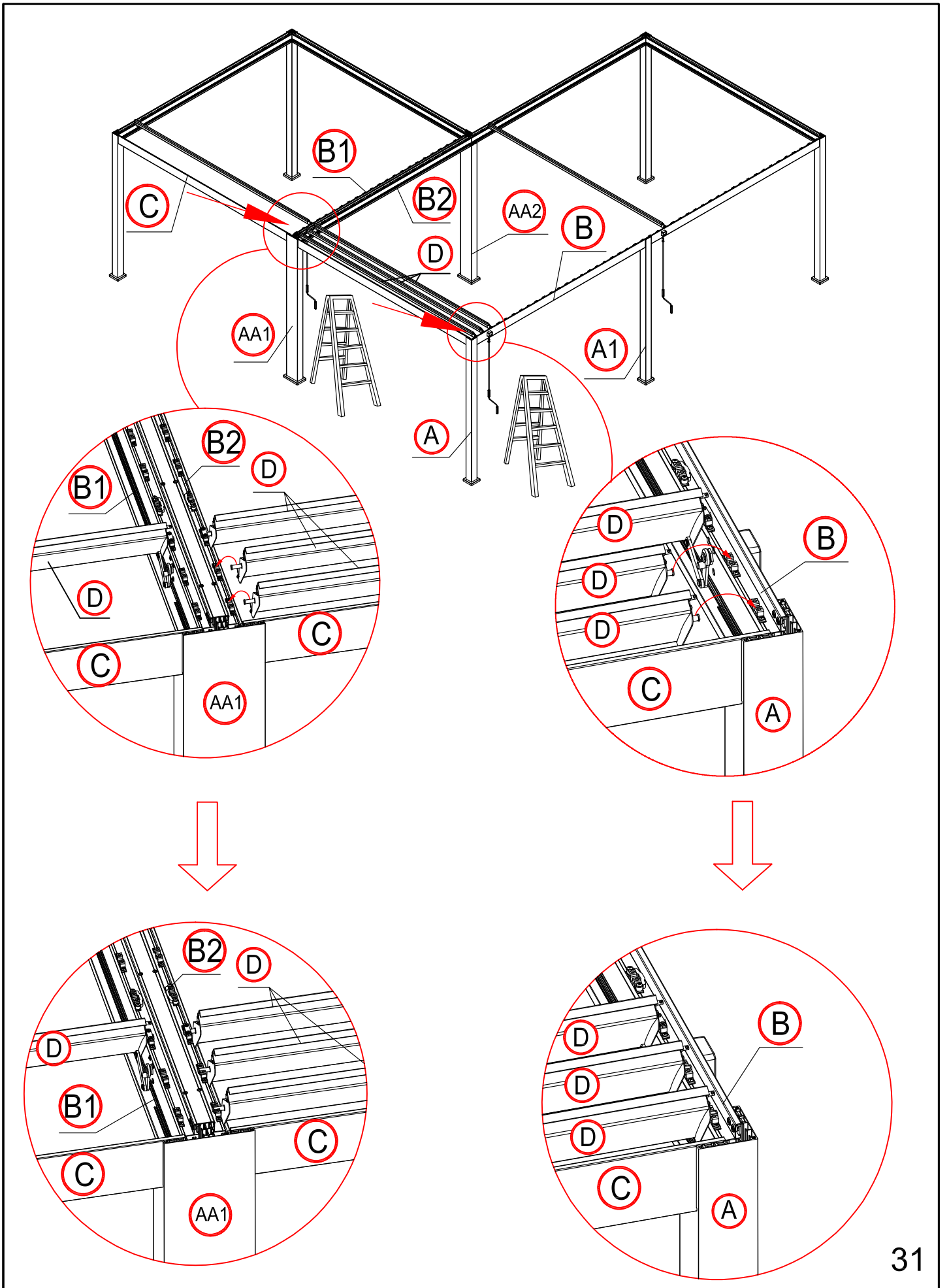


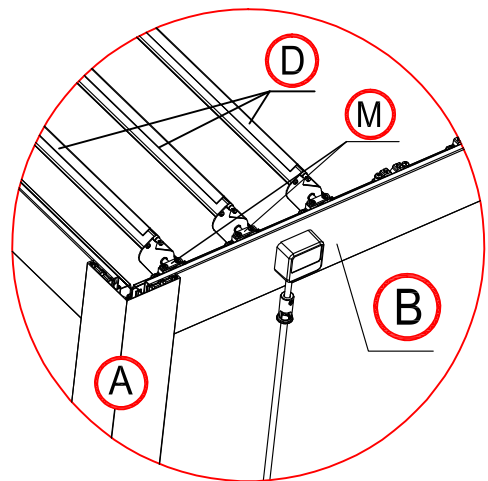
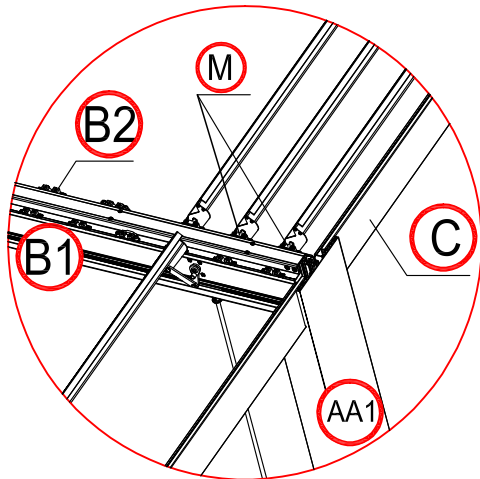
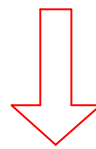
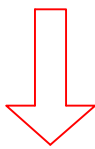
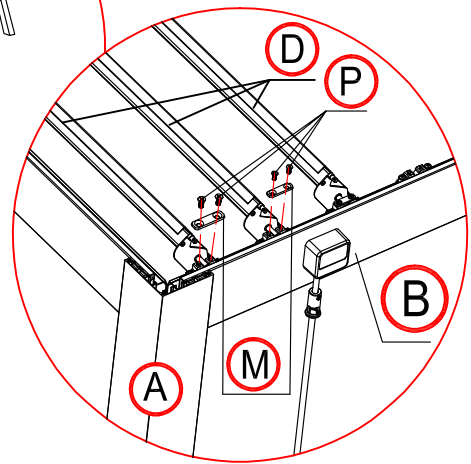
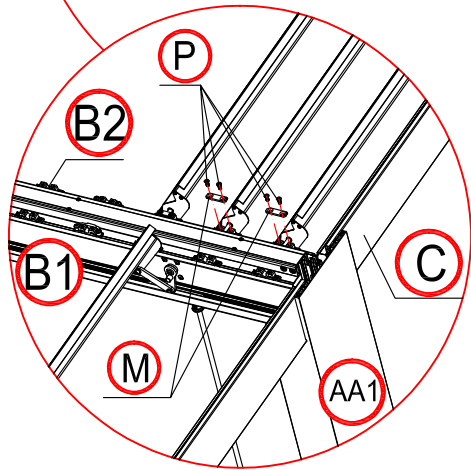
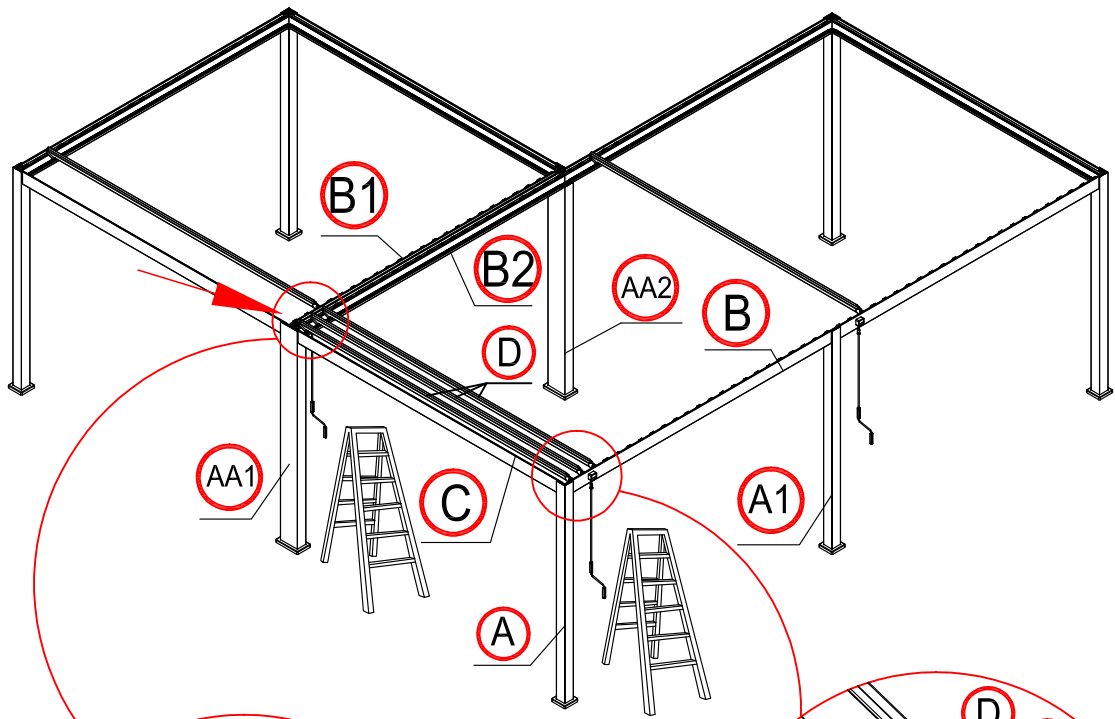


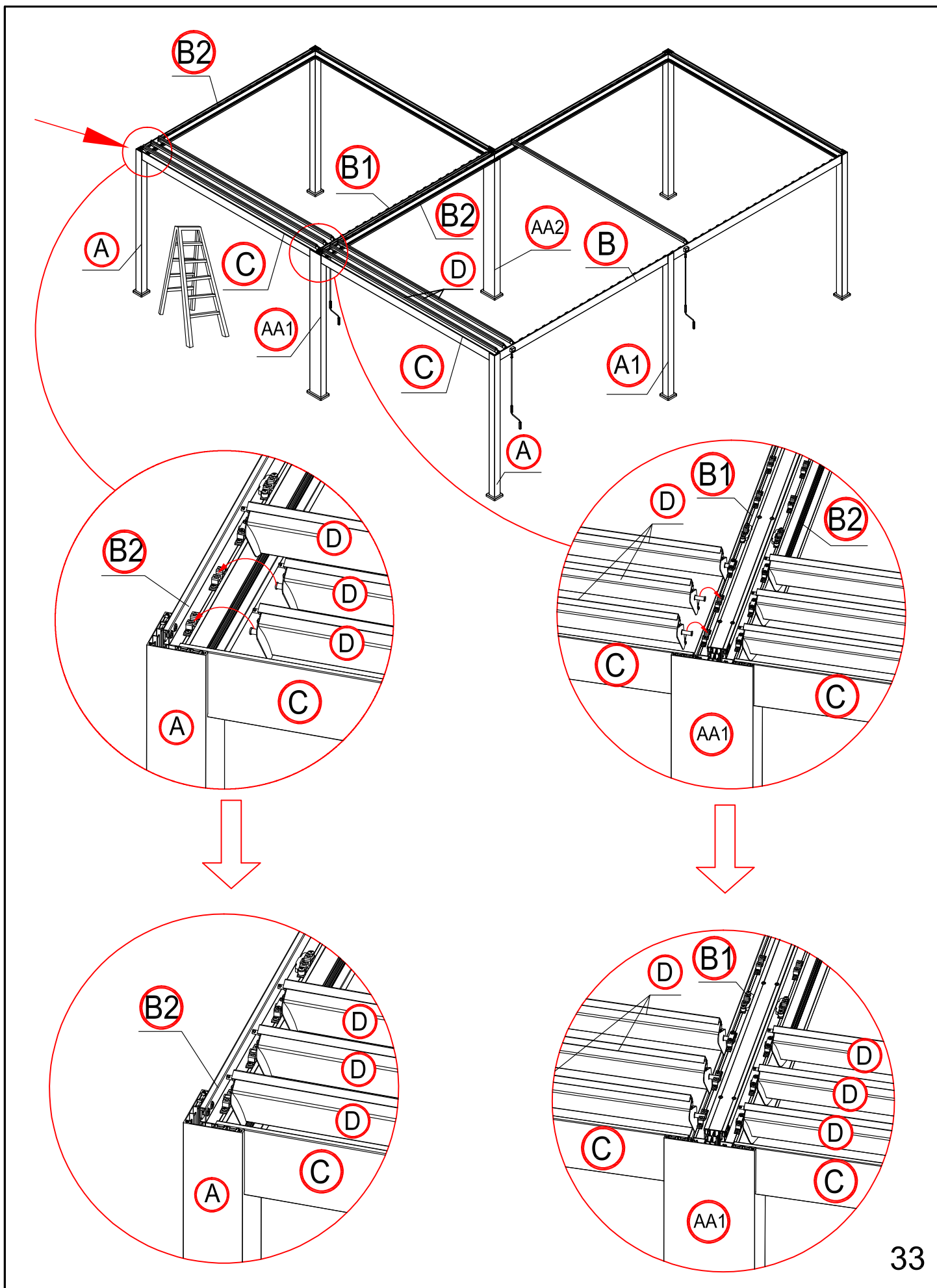


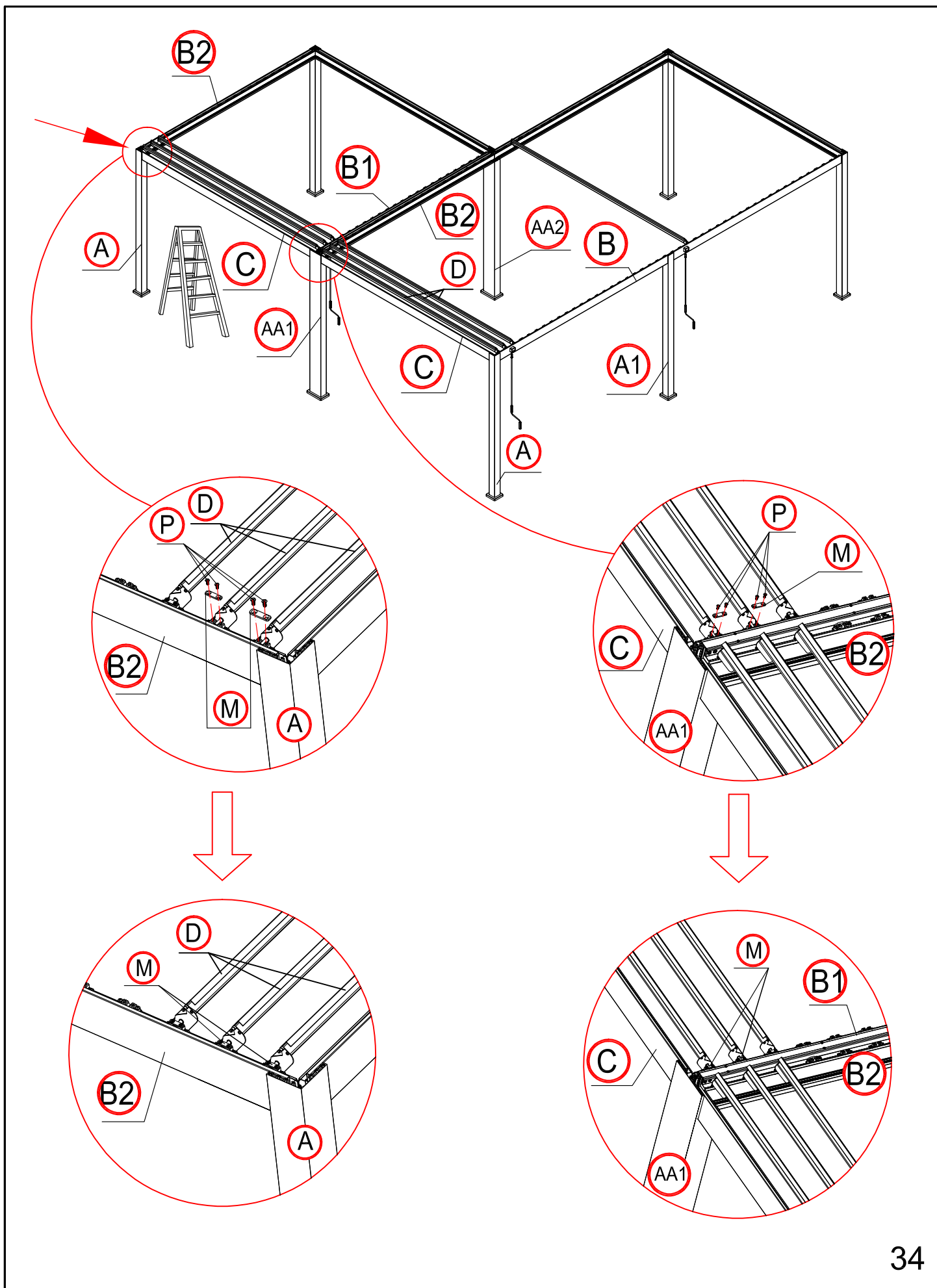
69 times



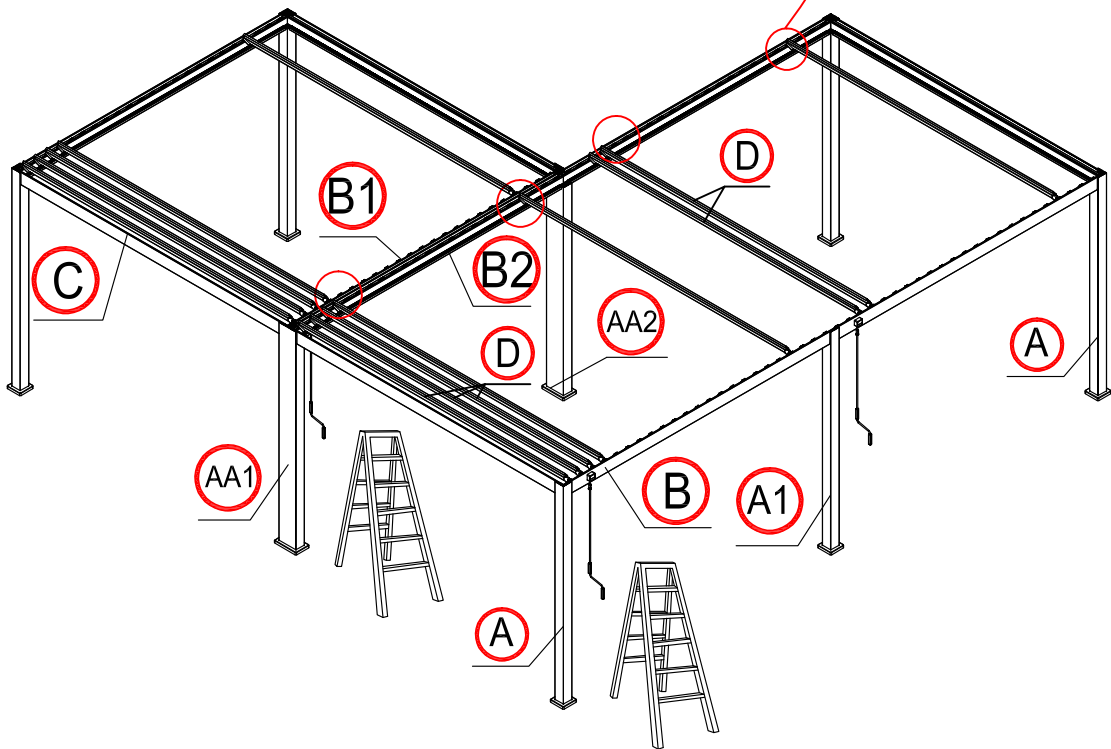
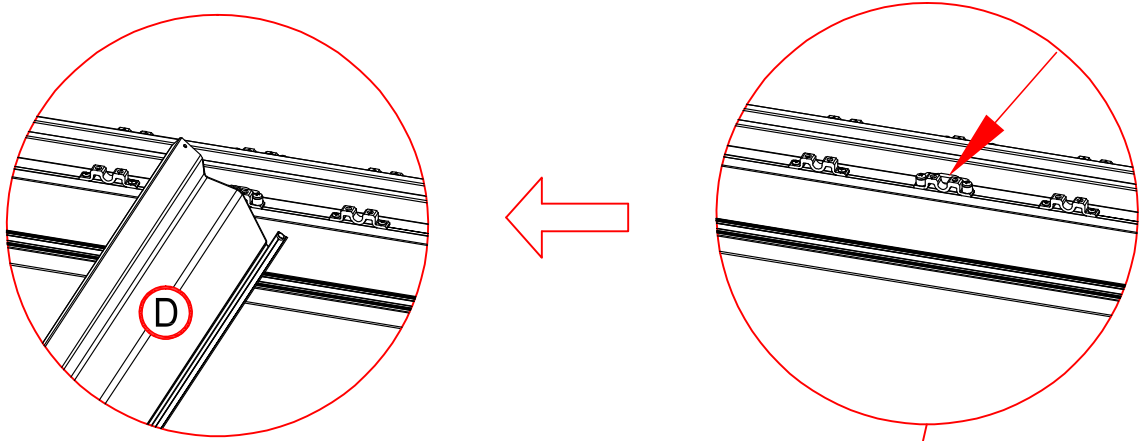




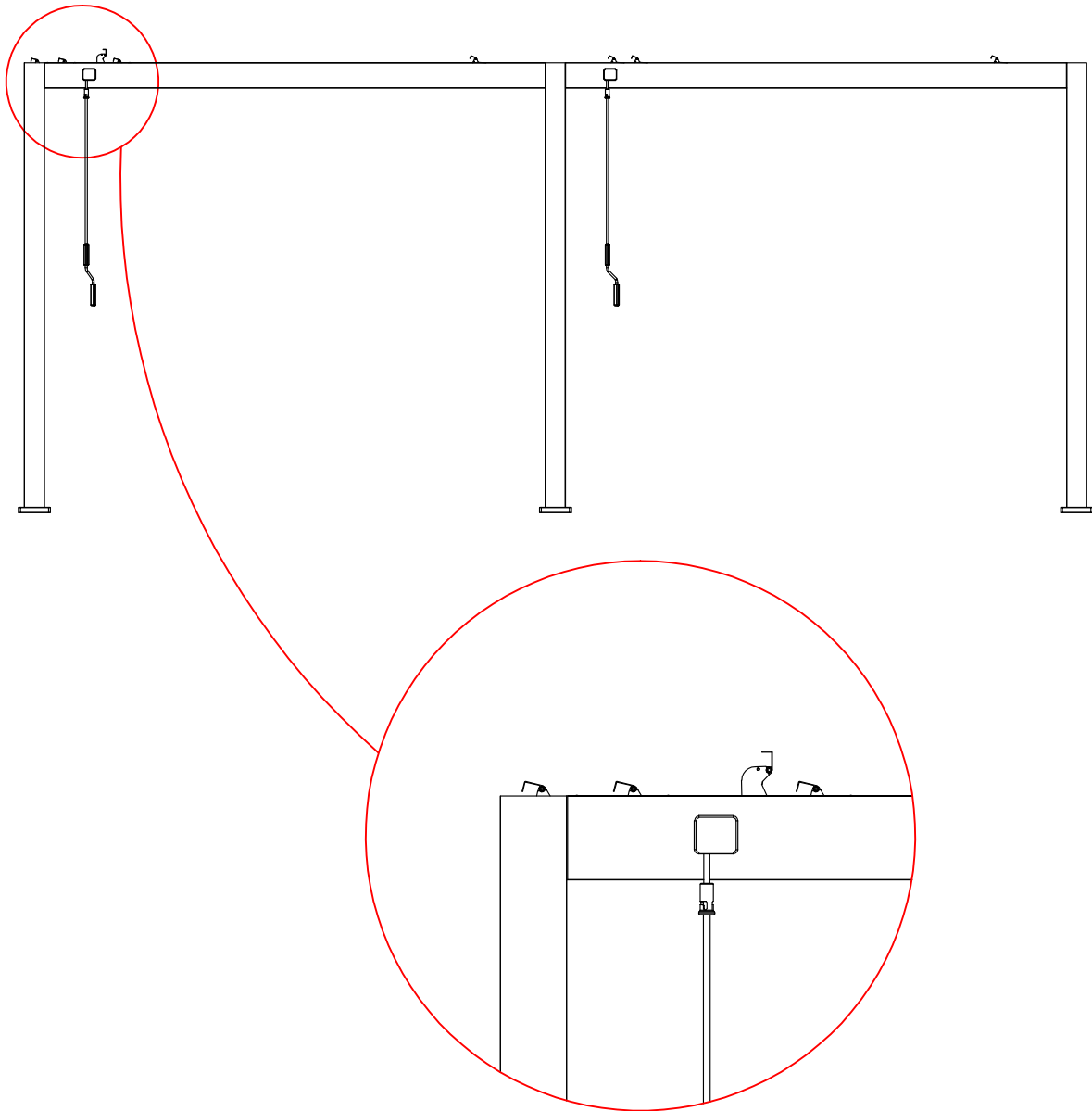


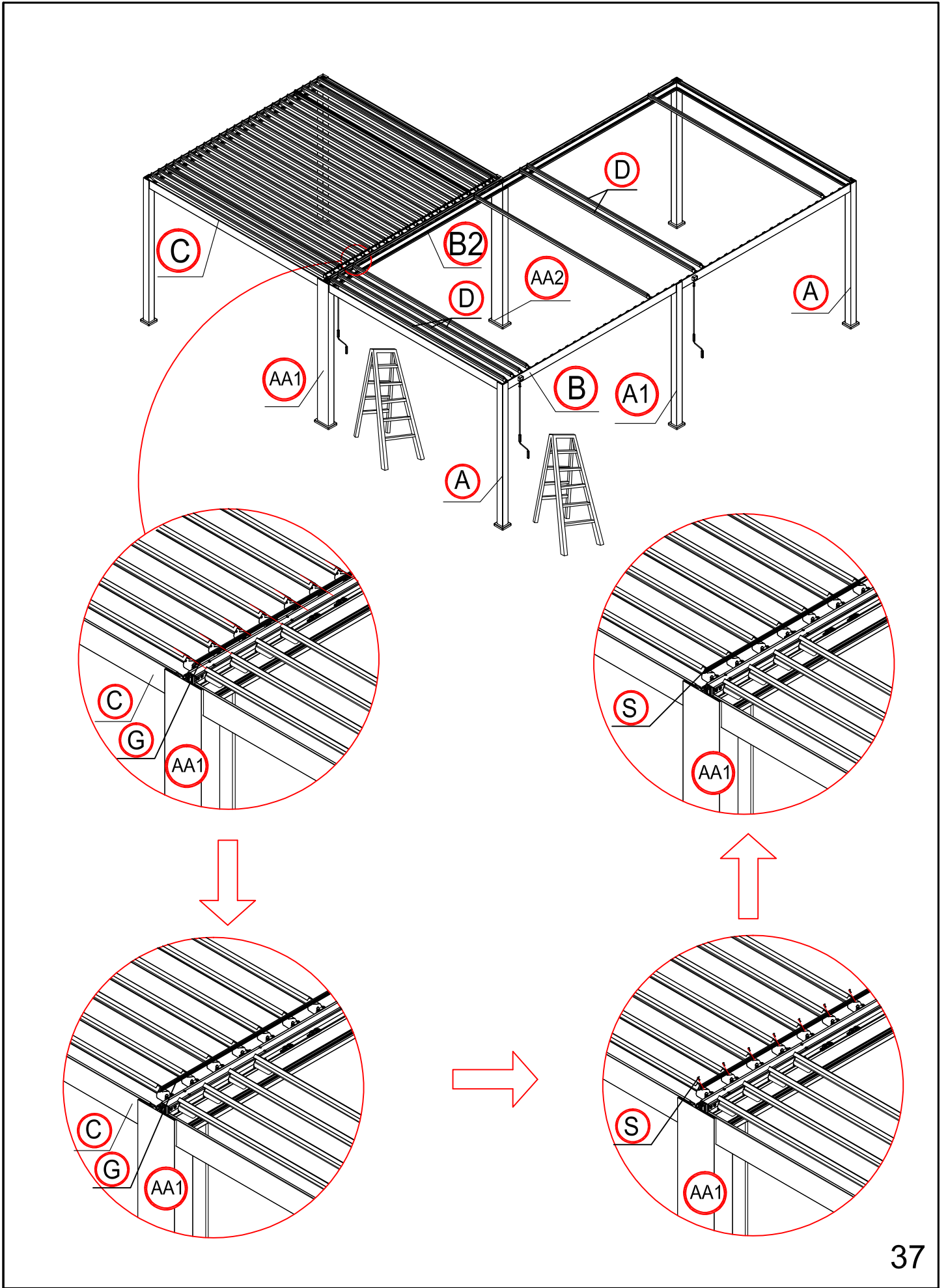


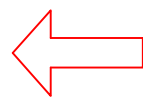
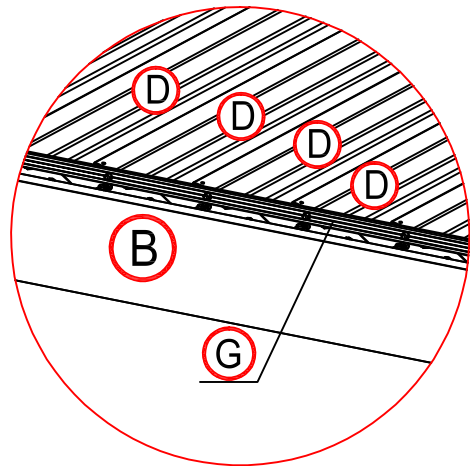
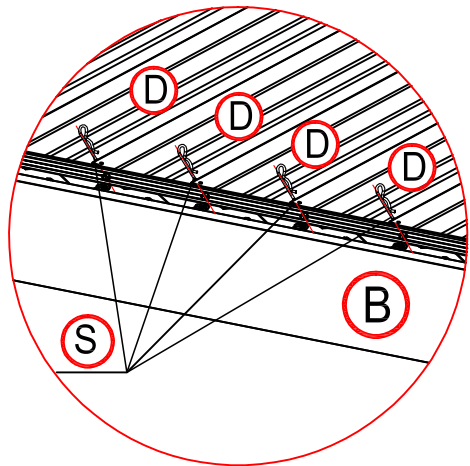
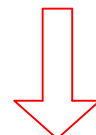
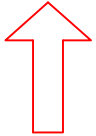
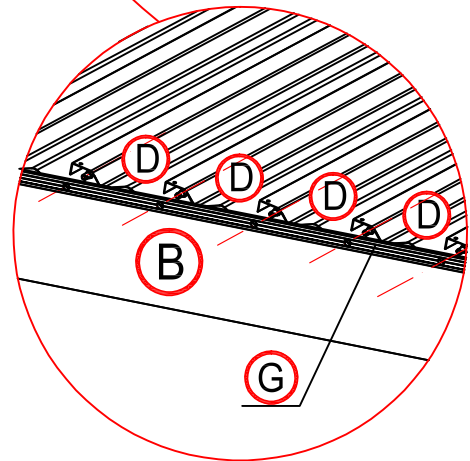
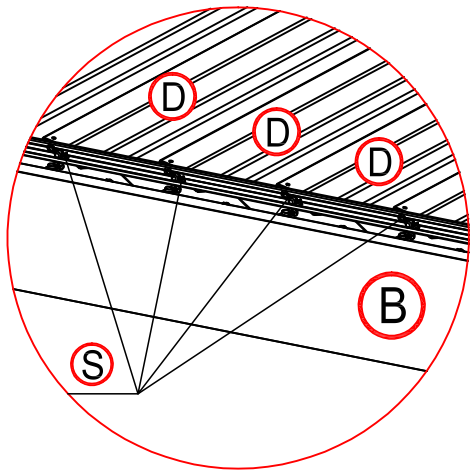
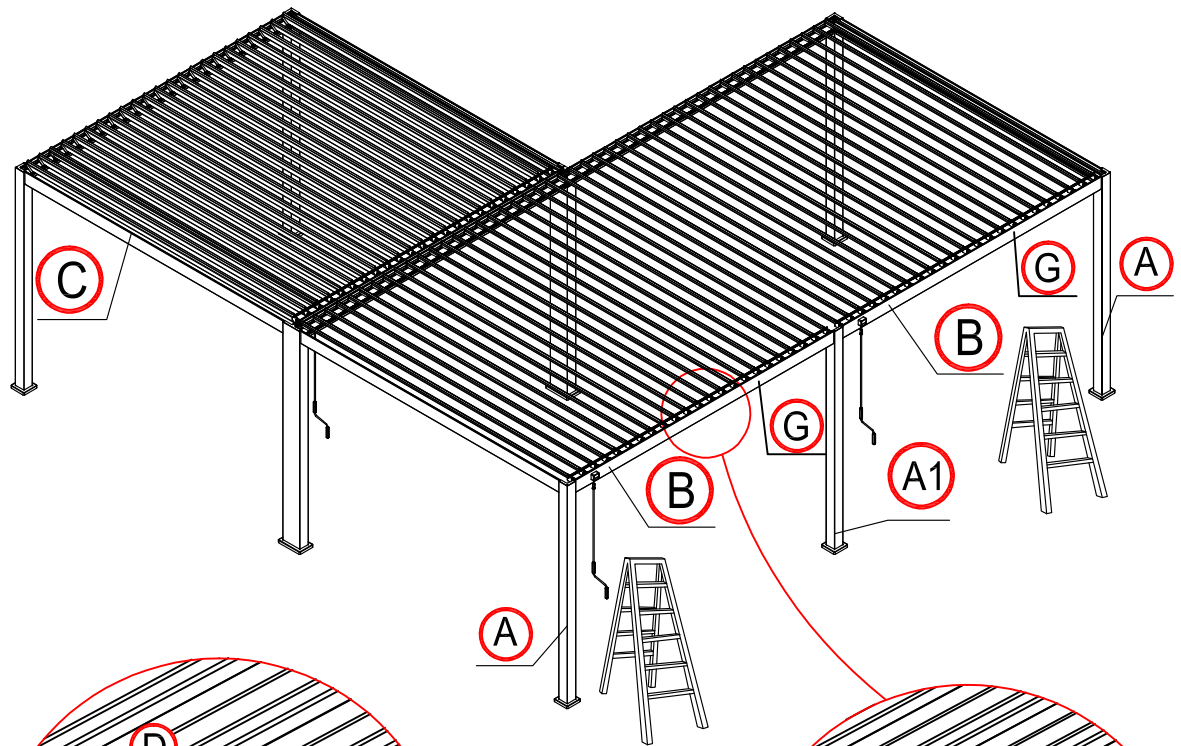
Please install the six shutters with hangers first.

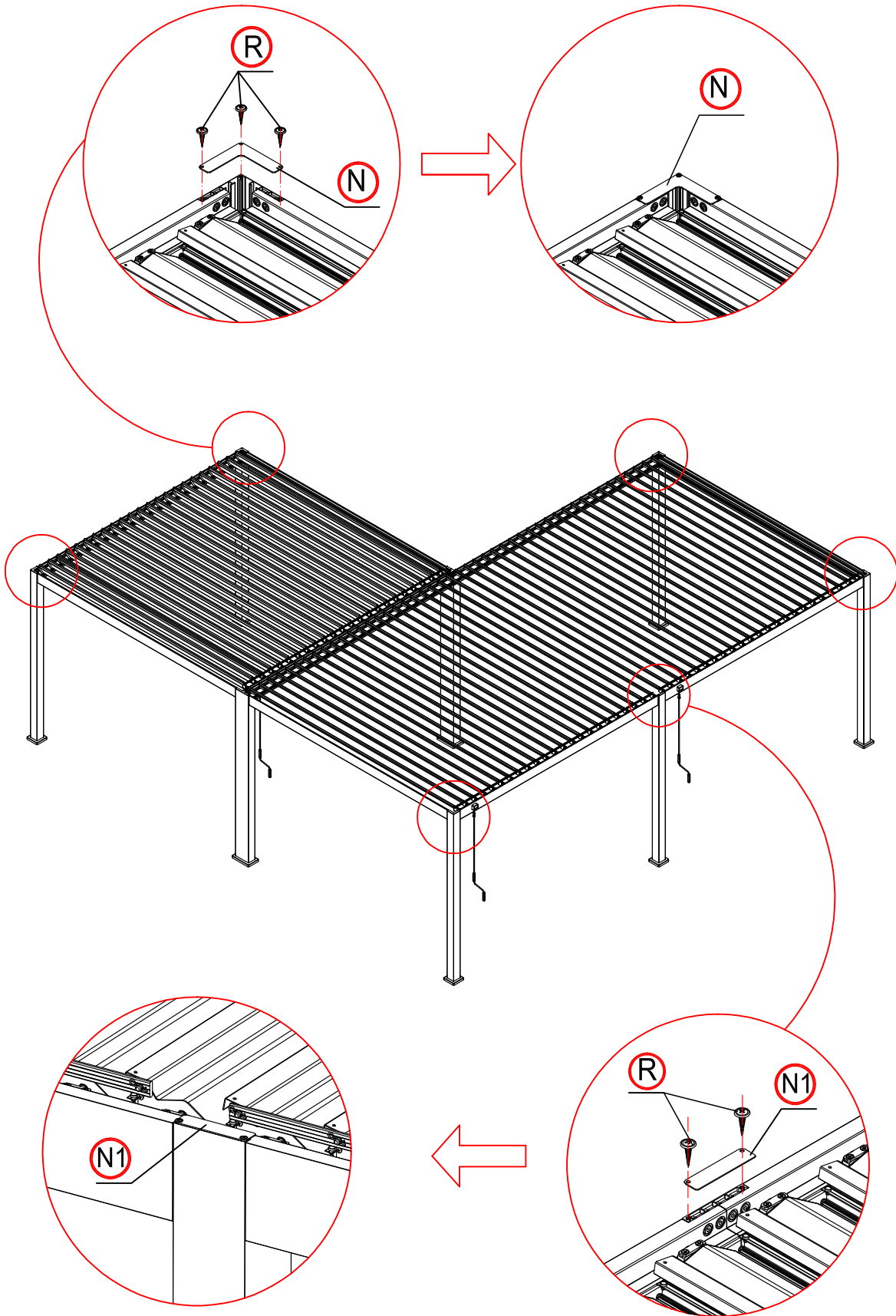


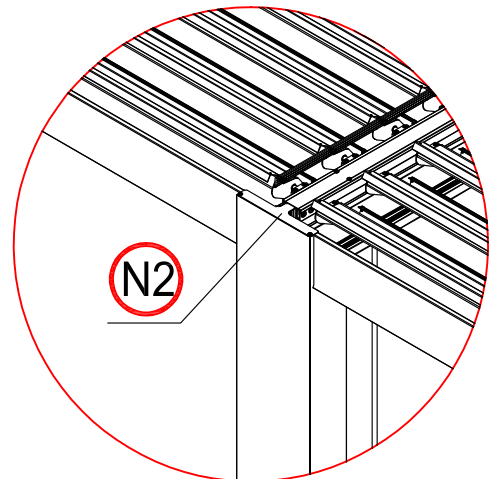
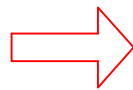
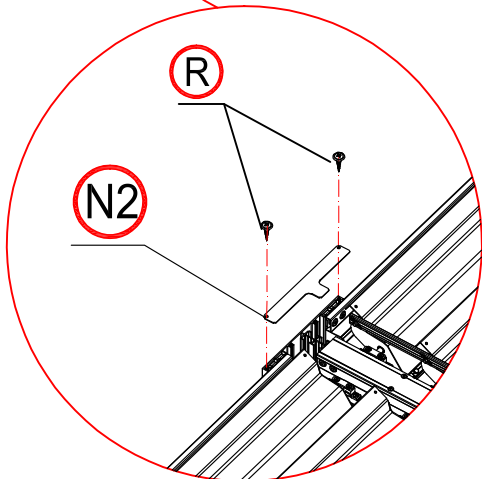
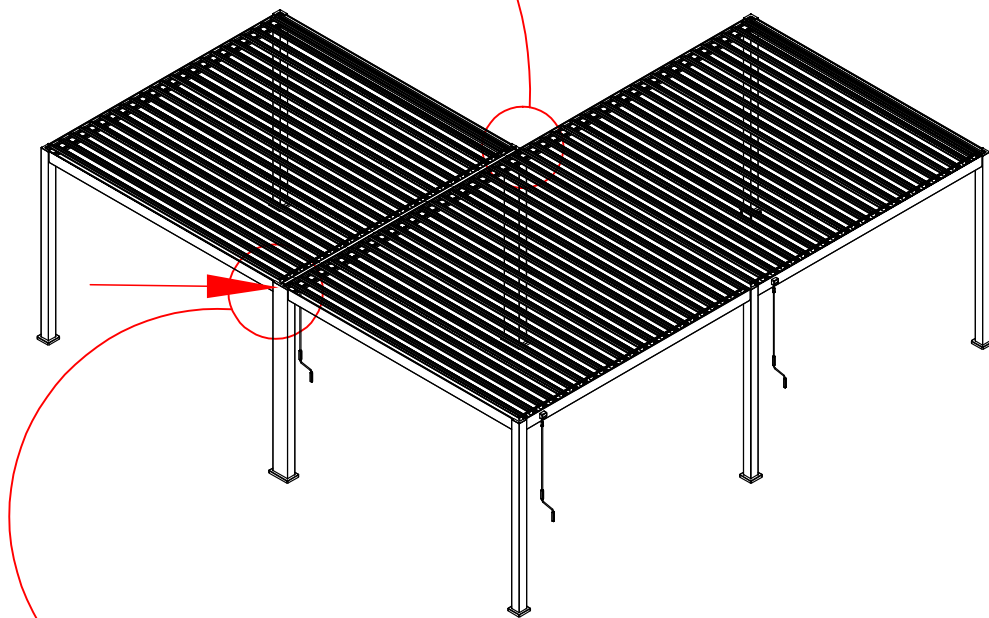
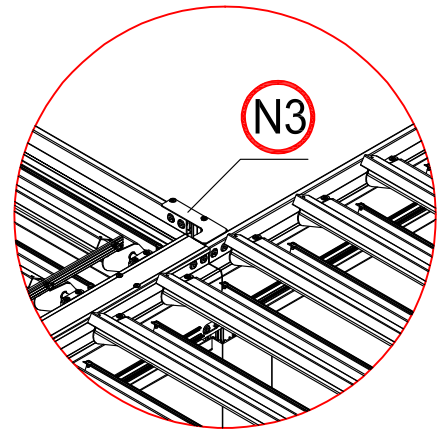
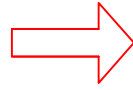
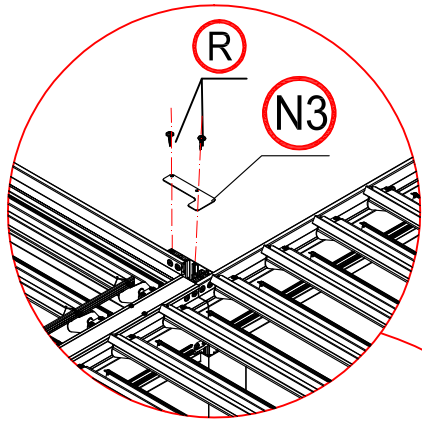
Make the shutter as vertical.

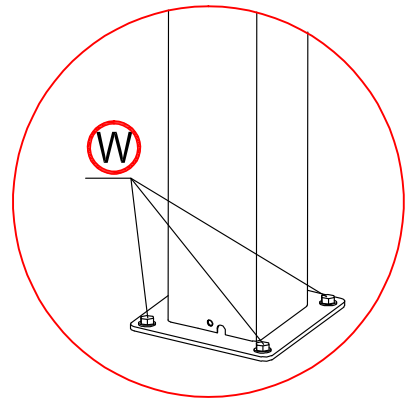
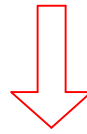
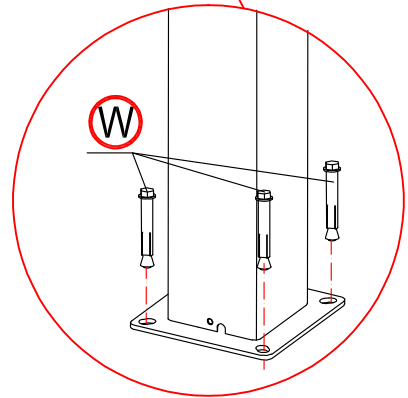
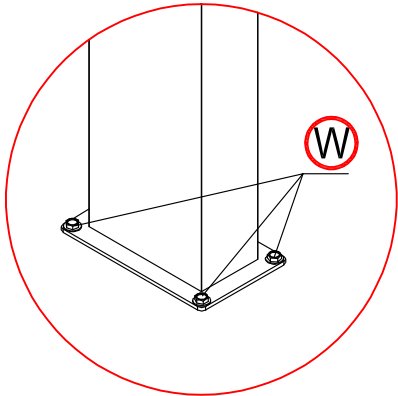
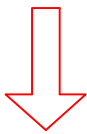
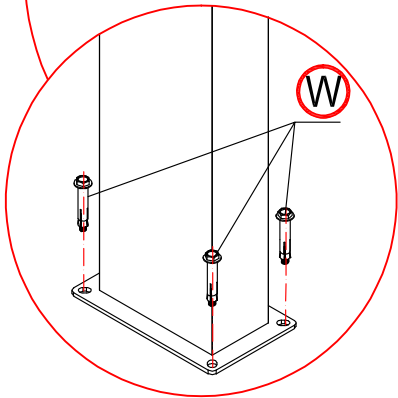
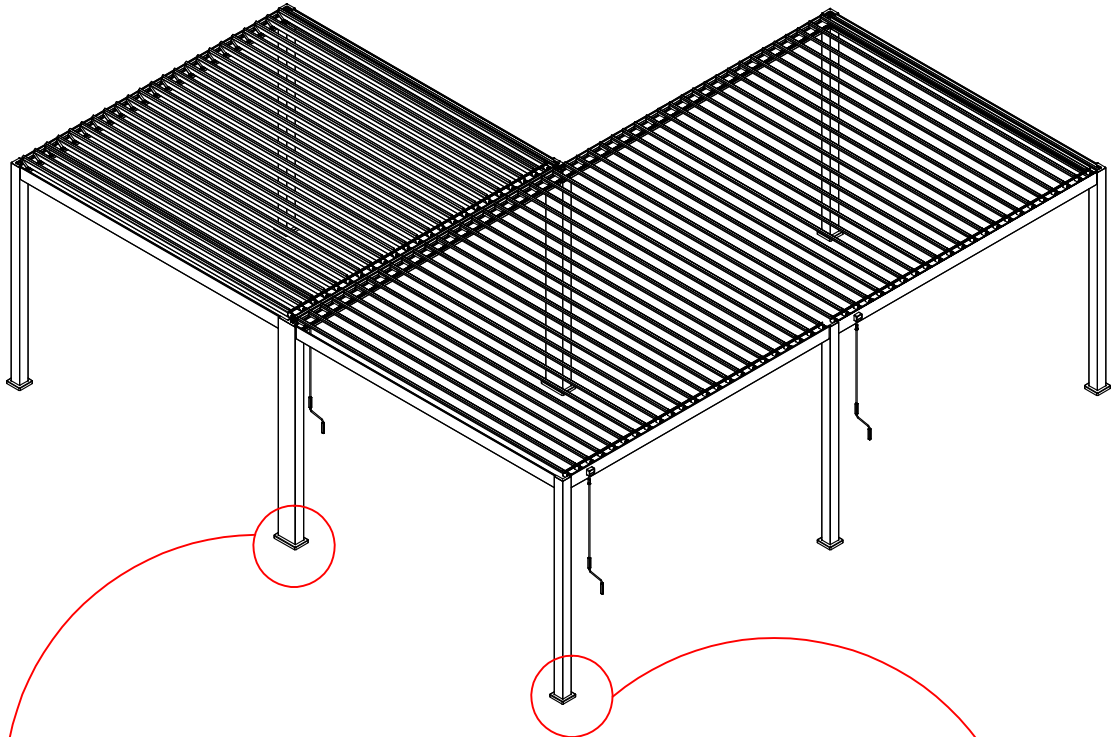


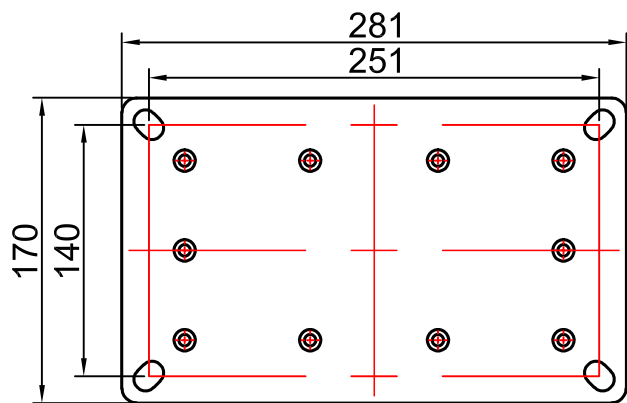
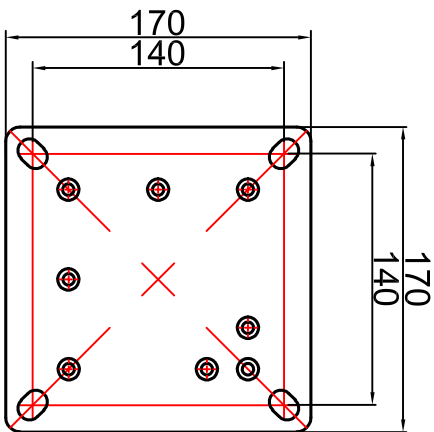
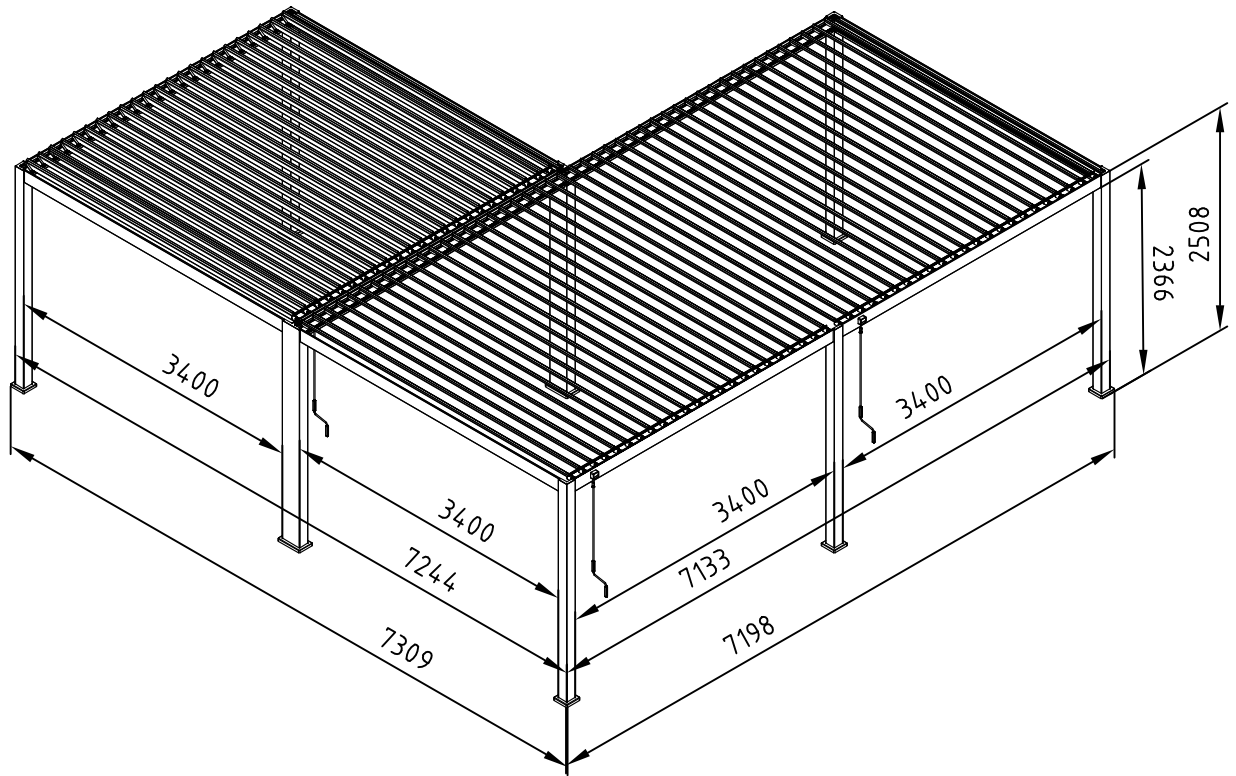


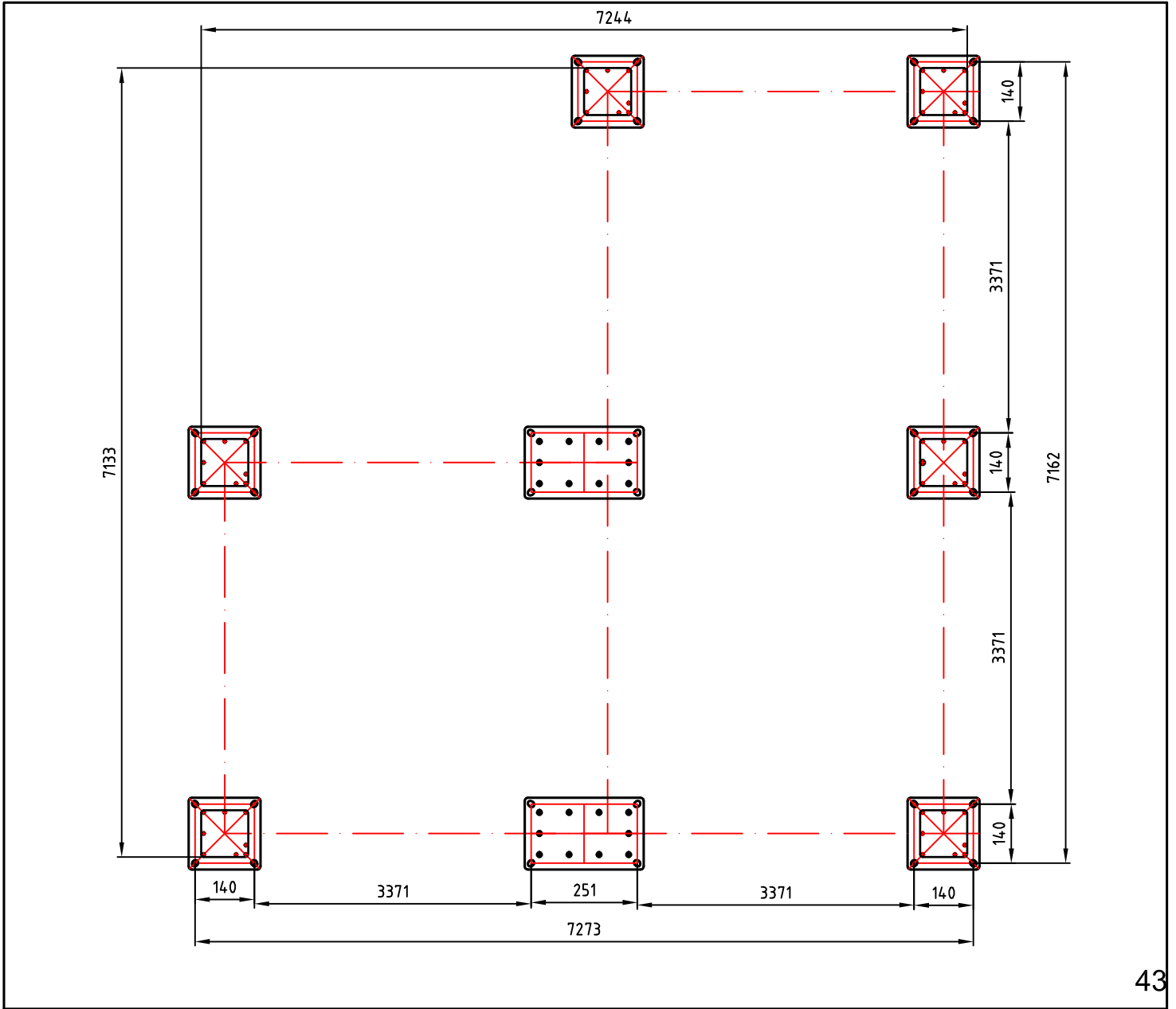












40