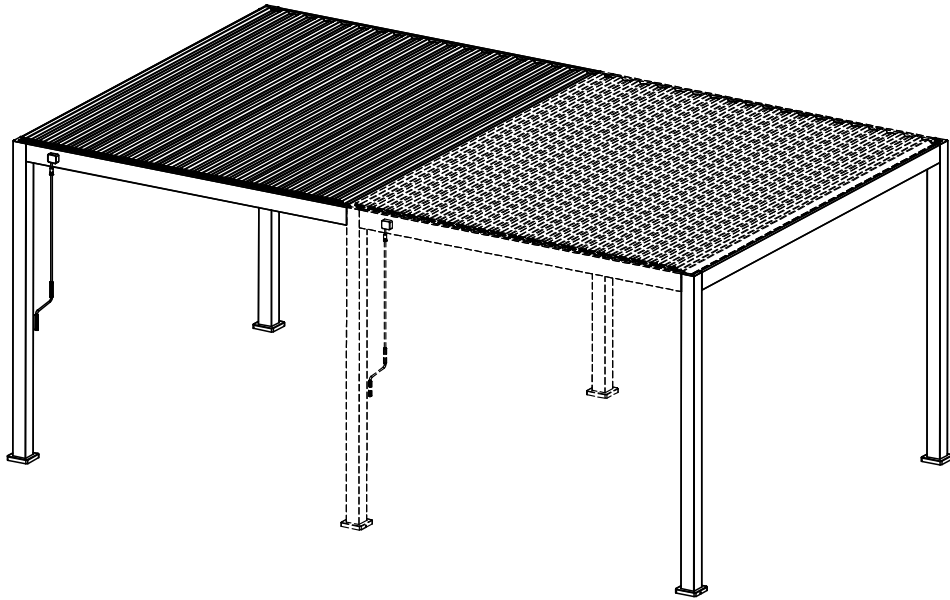


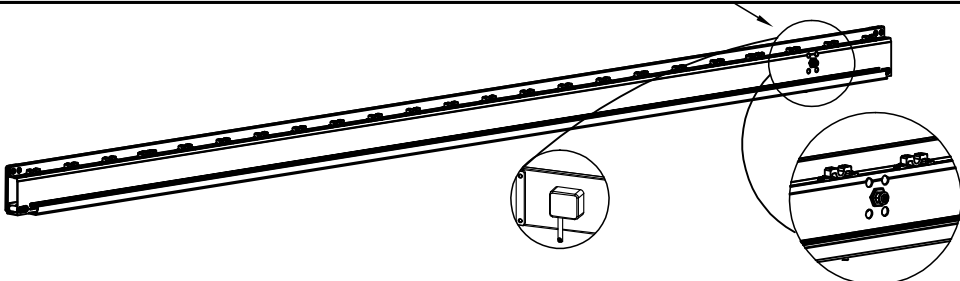
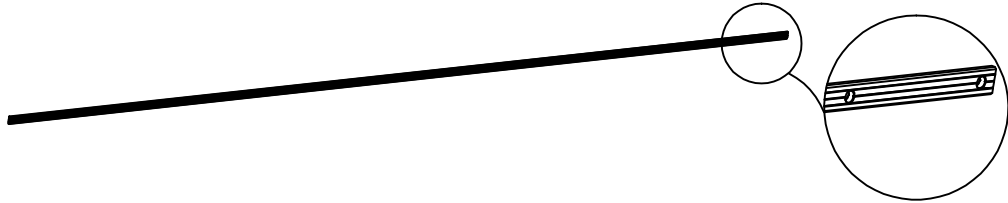

# MIRADOR<sup>®</sup> 3.6x7.2m

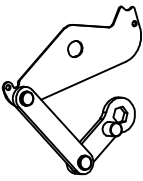
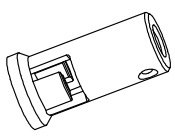
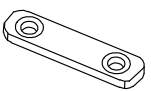

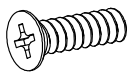


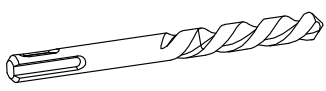
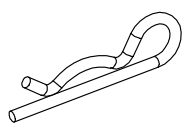
## User Manual





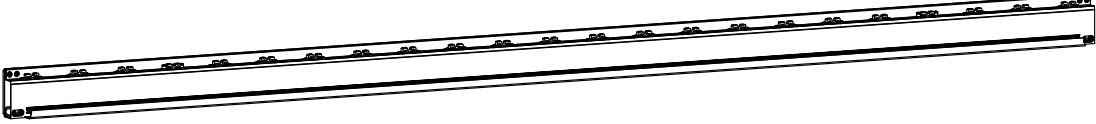


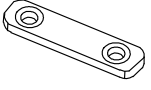
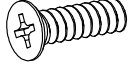
REF	PICTURE	QTY
(B)		1PC
(G)		1PC
(H)		1PC

REF	PICTURE	QTY	REF	PICTURE	QTY
(L)		1PC	(V)		1PC
(M)		24PCS	(X)		1PC
(P)	 M5x12mm	48PCS	(Y)		2PCS
(Q)	 4.2x25mm	2PCS	(Z)	 Ø12mm	1PC
(S)		27PCS			





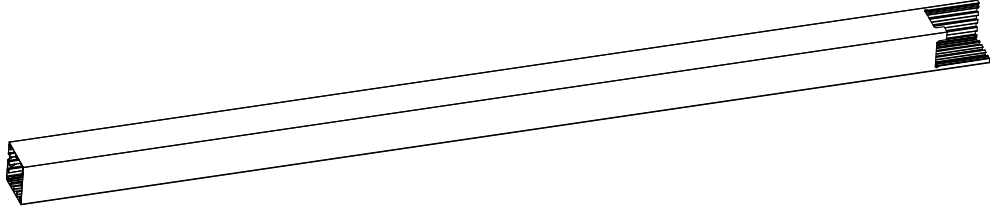
REF	PICTURE	QTY
B2		1PC

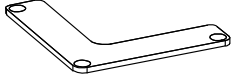
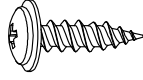
REF	PICTURE	QTY		REF	PICTURE	QTY
M		24PCS				
P	 M5x12mm	48PCS				



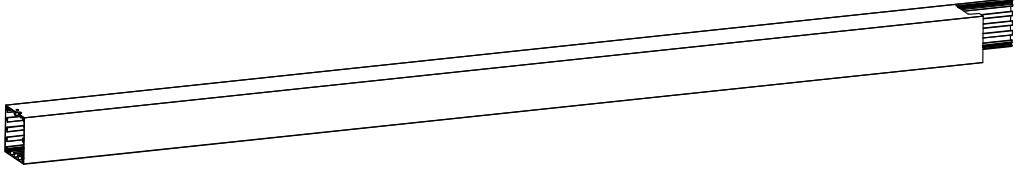


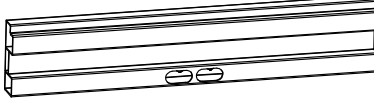



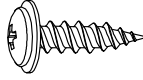
REF	PICTURE	QTY
Ⓐ		1PC

REF	PICTURE	QTY		REF	PICTURE	QTY
Ⓐ		1PC				
Ⓑ	 5.5x19mm	3PCS				



REF	PICTURE	QTY
A1		1PC

B4		1PC
----	---	-----

REF	PICTURE	QTY
N1		1PC
R	 5.5x19mm	2PCS

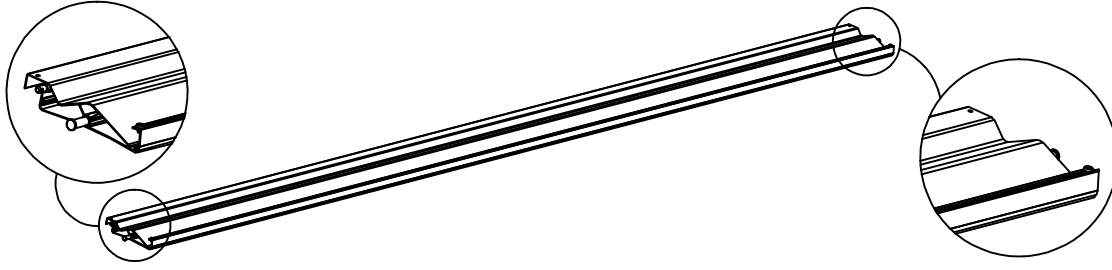
REF	PICTURE	QTY

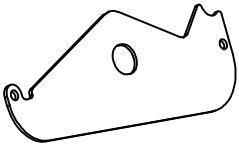
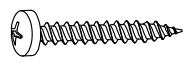








REF	PICTURE	QTY
D		12PCS

REF	PICTURE	QTY		REF	PICTURE	QTY
K		24PCS				
Q	 4.2x25mm	48PCS				

An additional louver is included for each 3.6x3.6 module.

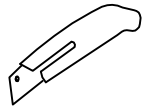
# Warning

In snow season or in case of snow forecast open up your shutters in vertical position to avoid any damaging on your pergola.

## What you need?



Glove



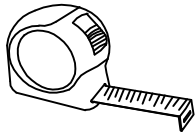
Knife



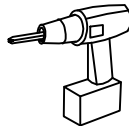
Hammer



Safety hat



Tapeline

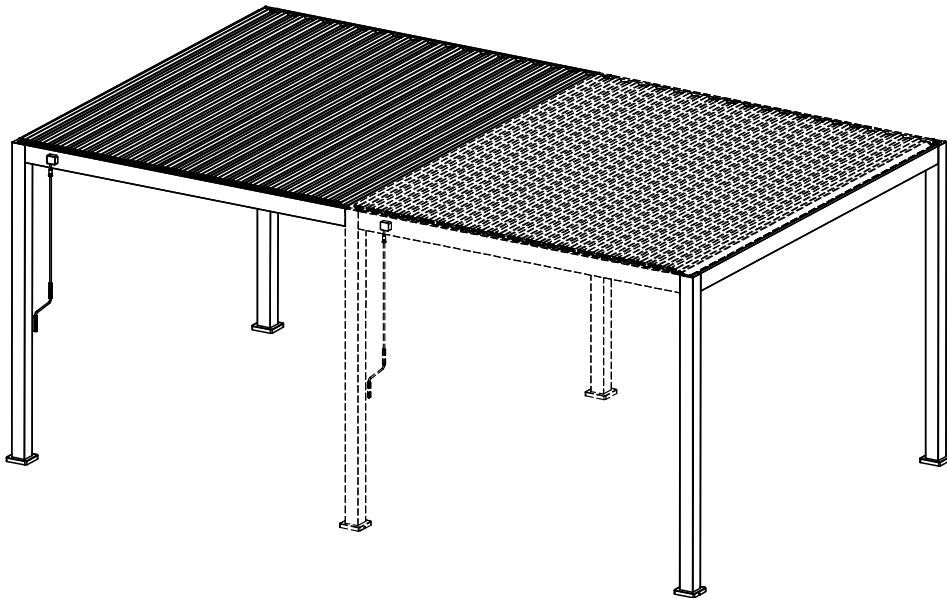


Electric screw driver

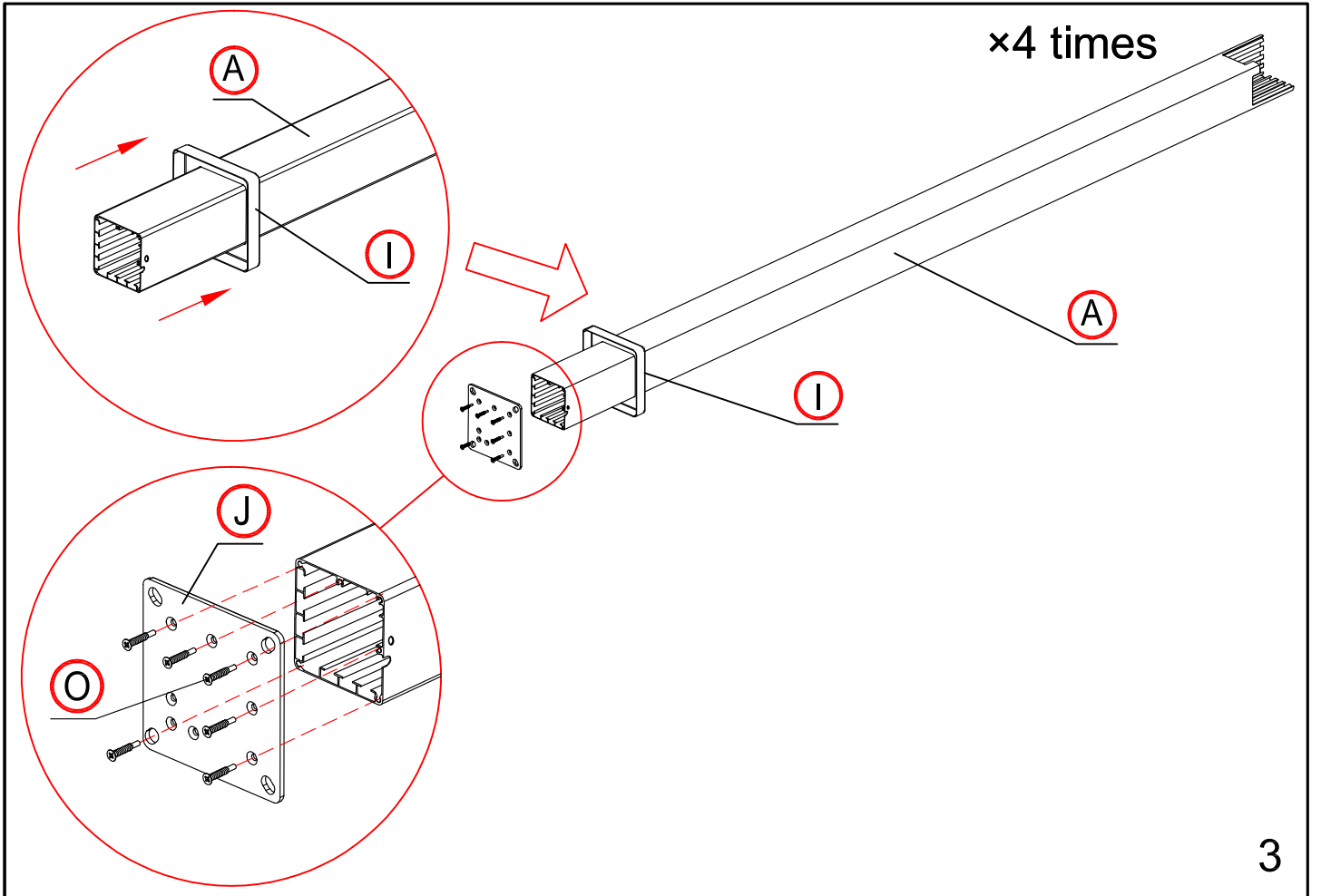


Ladder

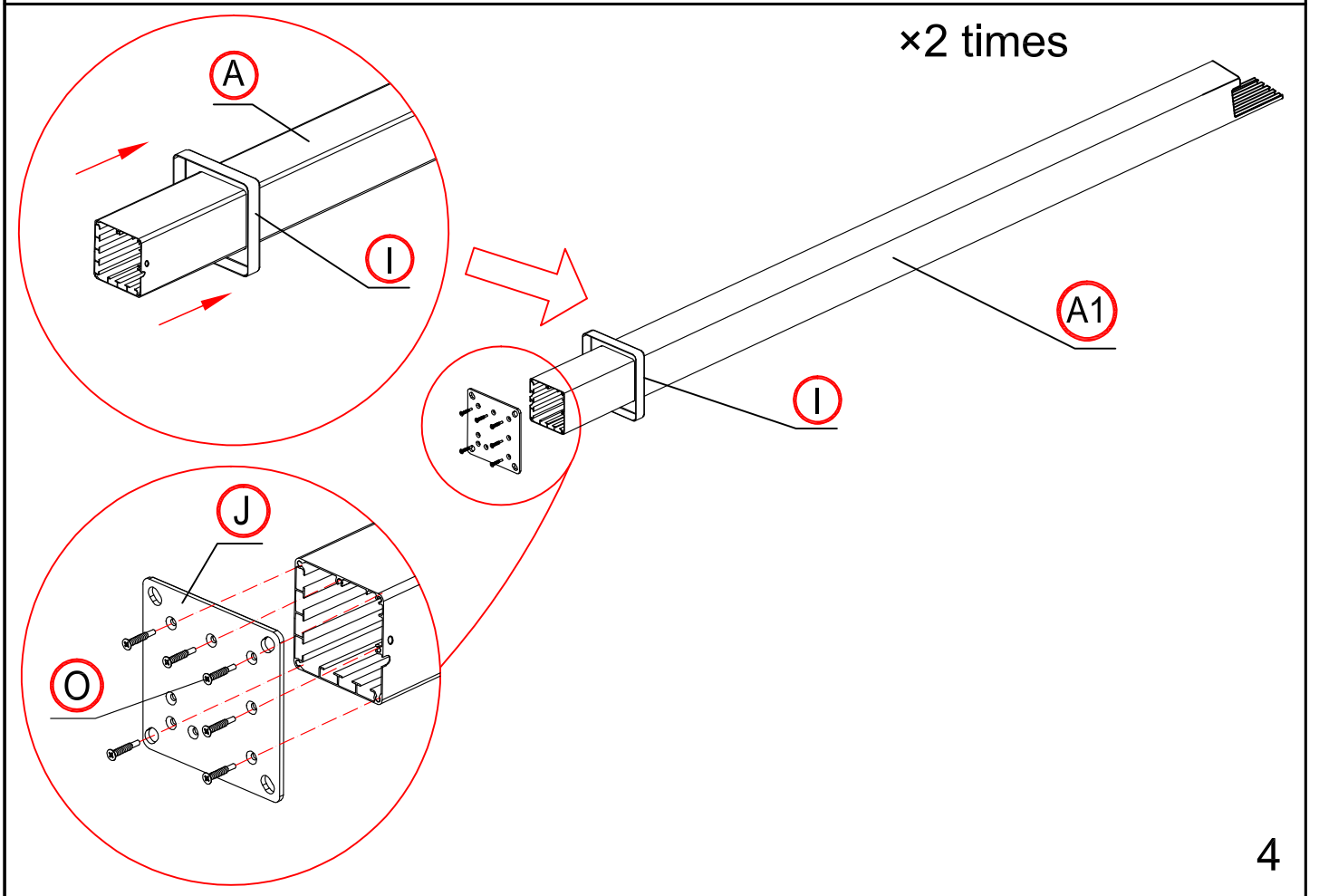
1



2

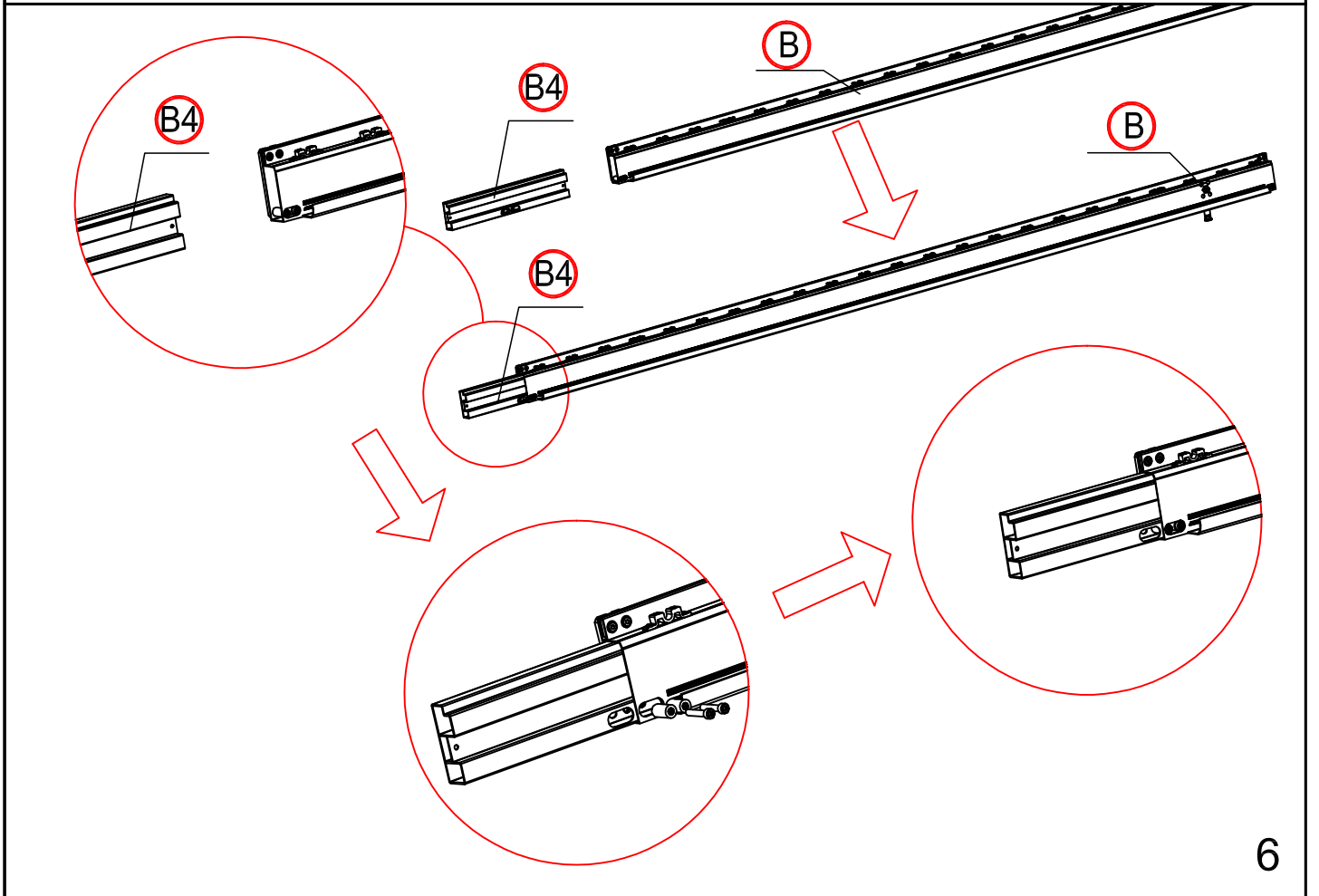
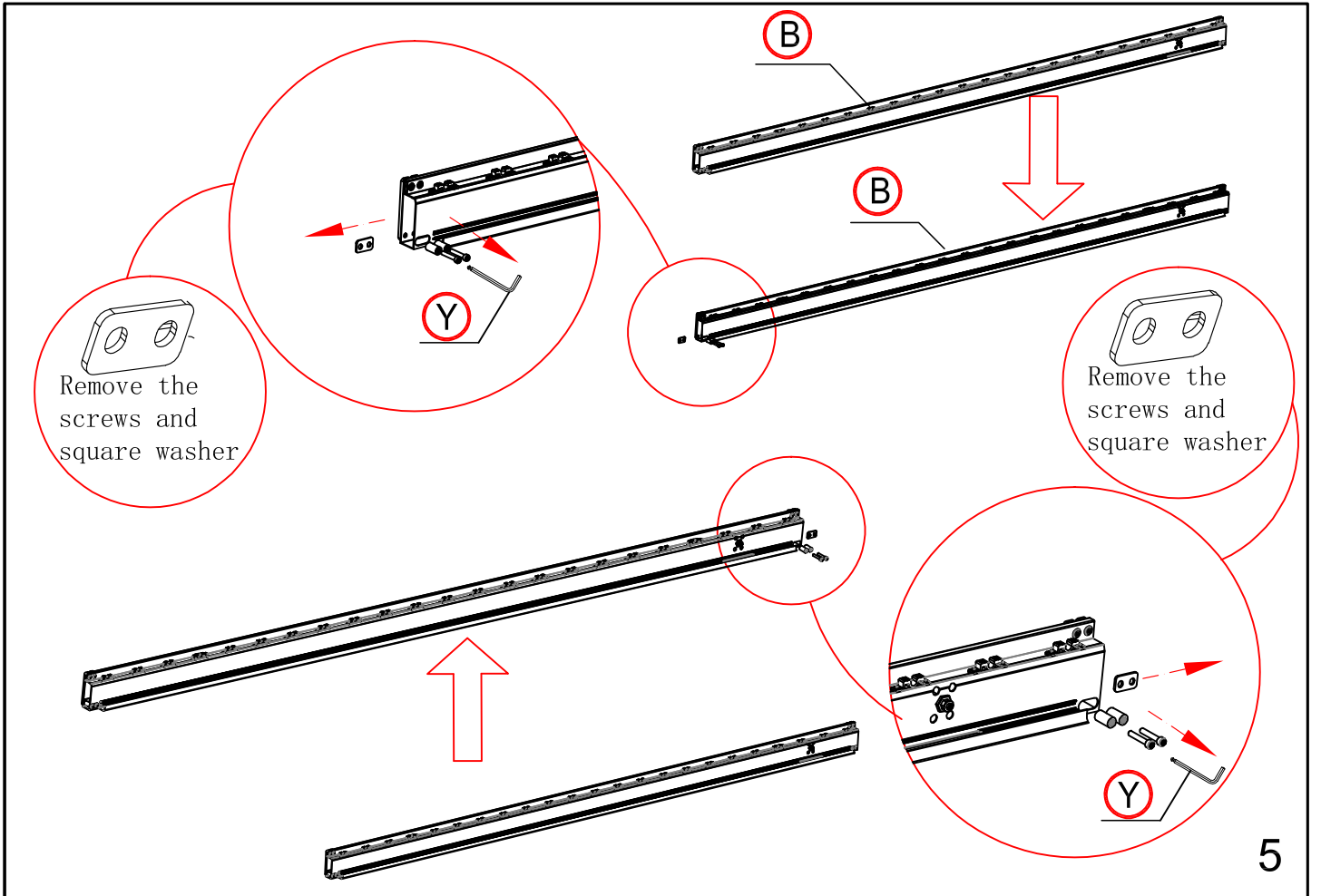


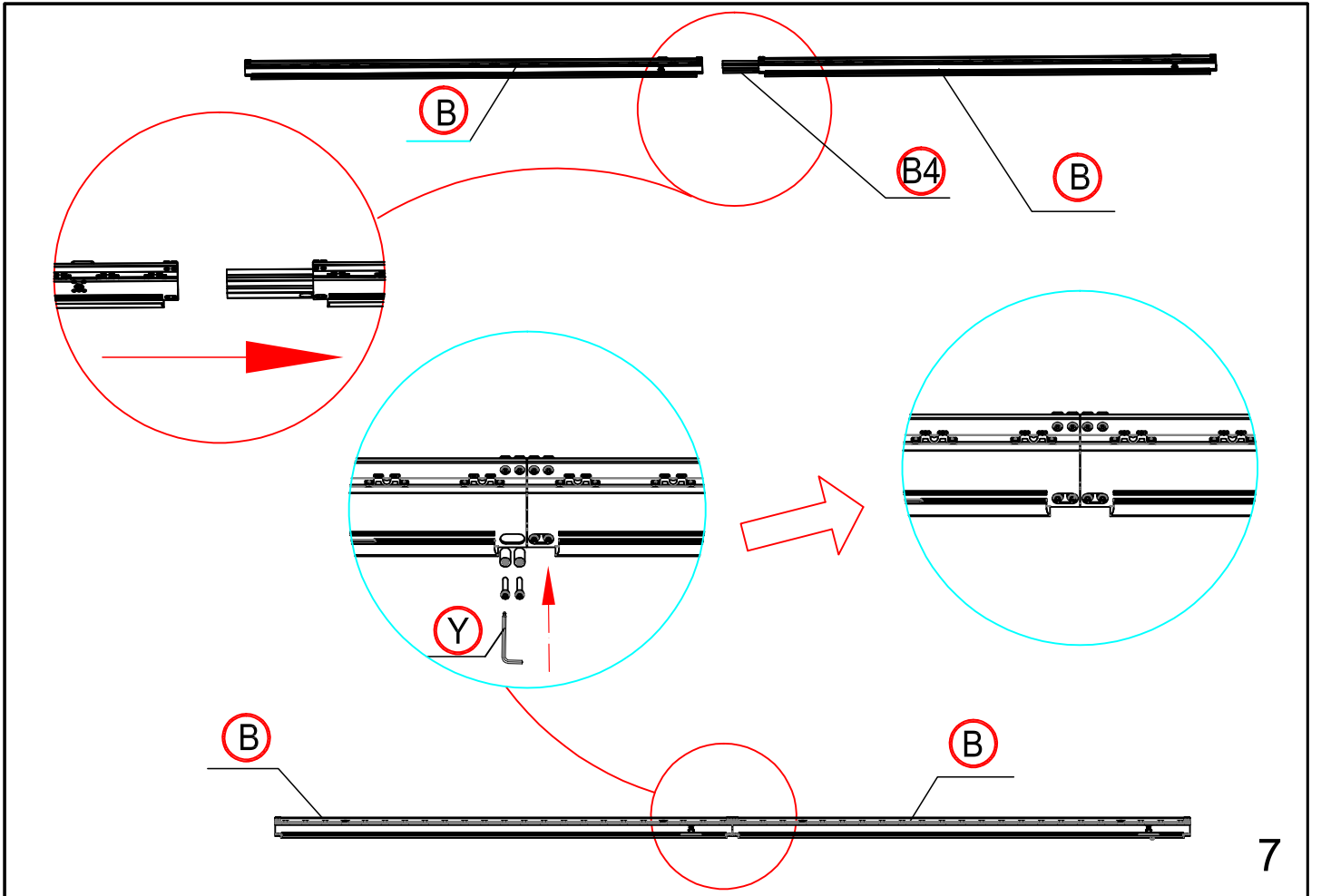
3



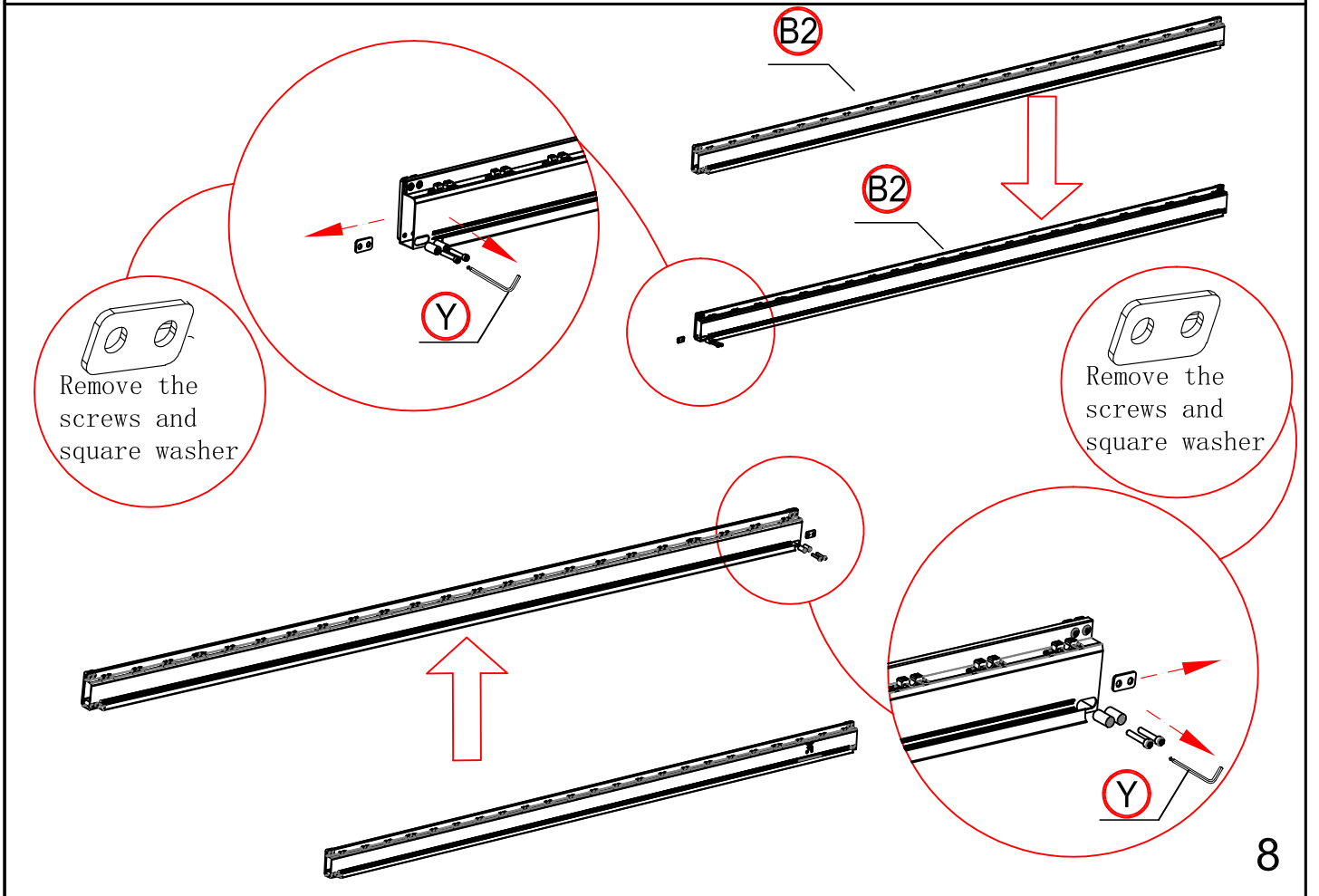
4

5





7



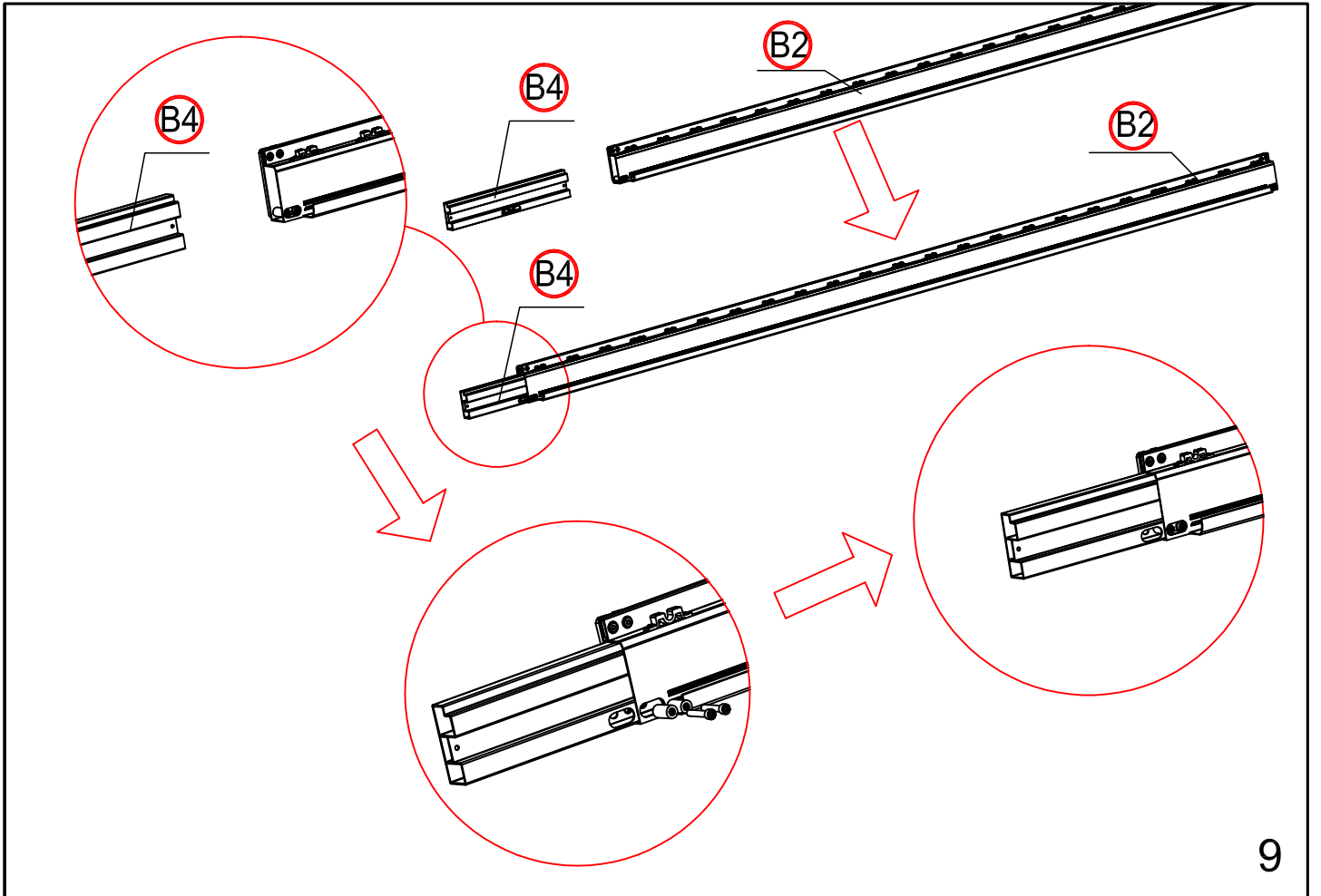
Remove the screws and square washer

Remove the screws and square washer

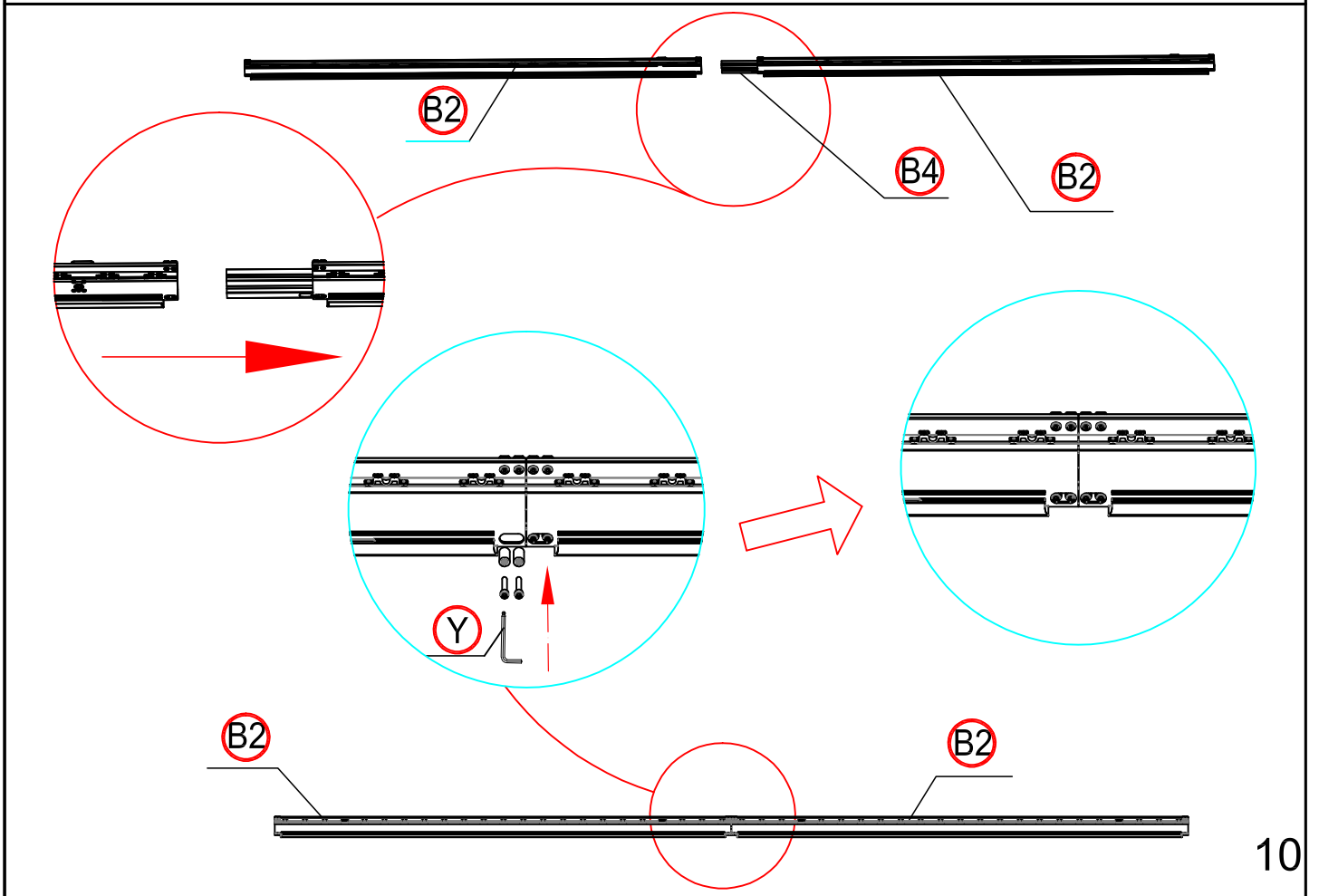
8

7



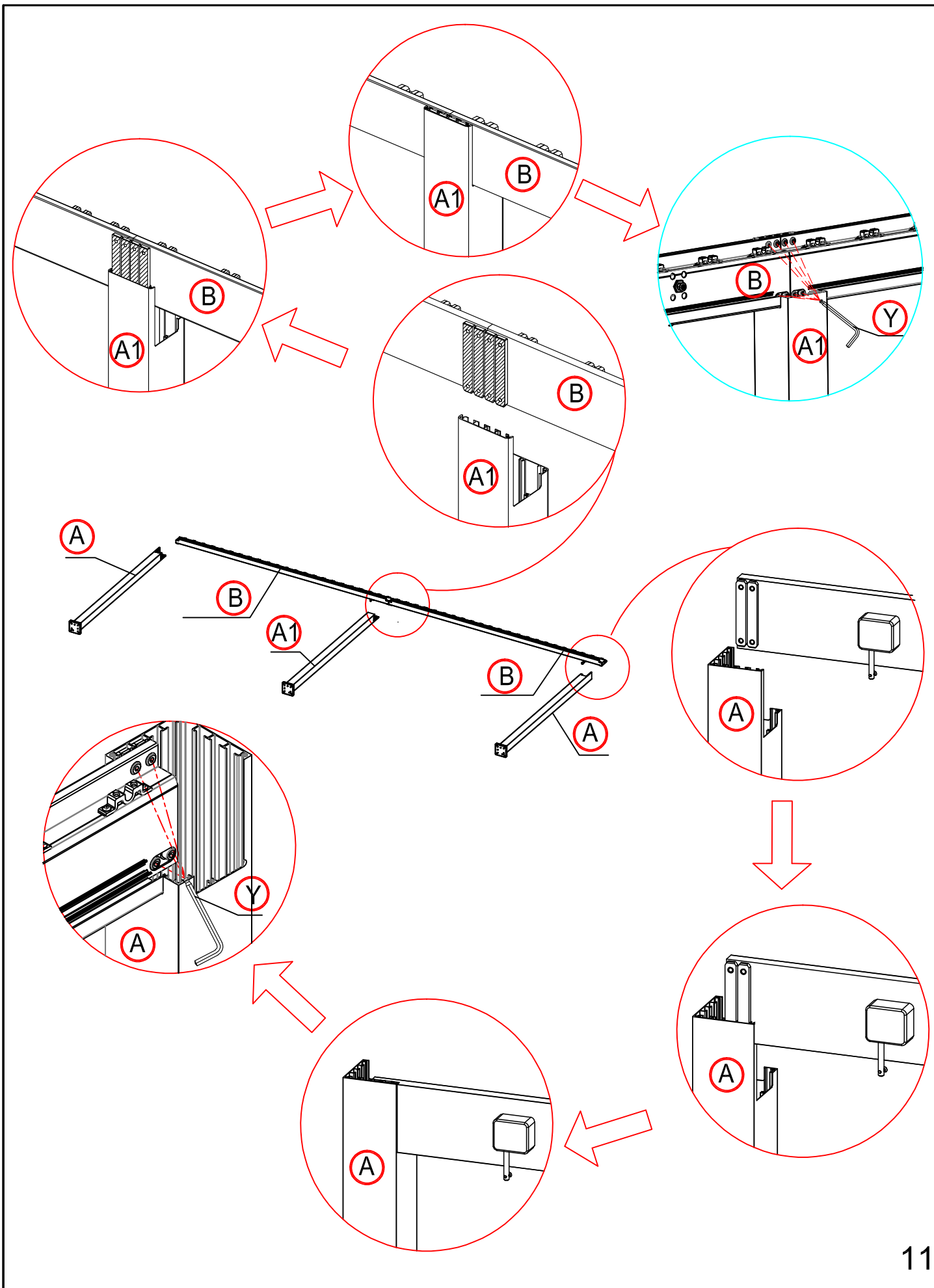


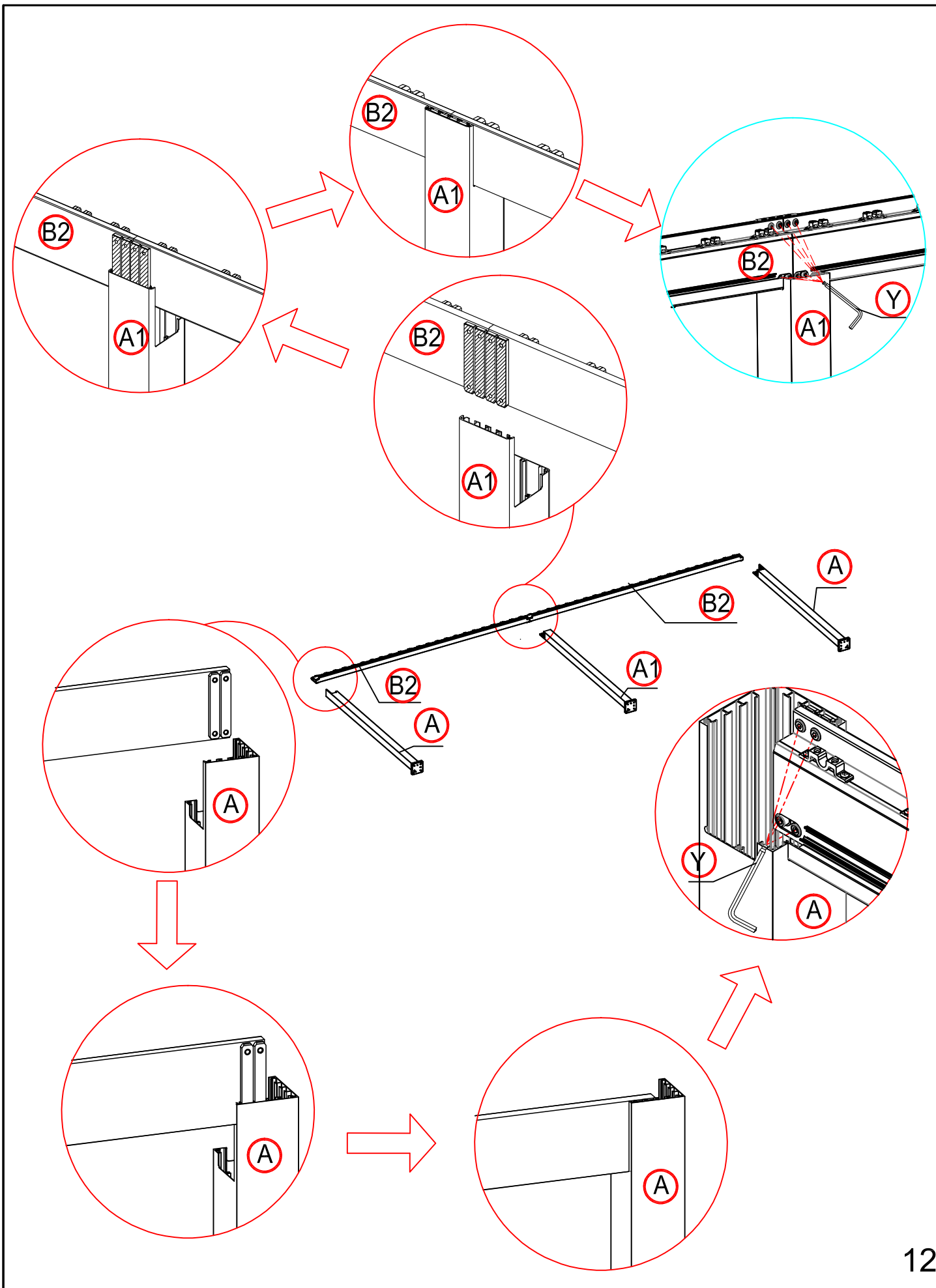
9

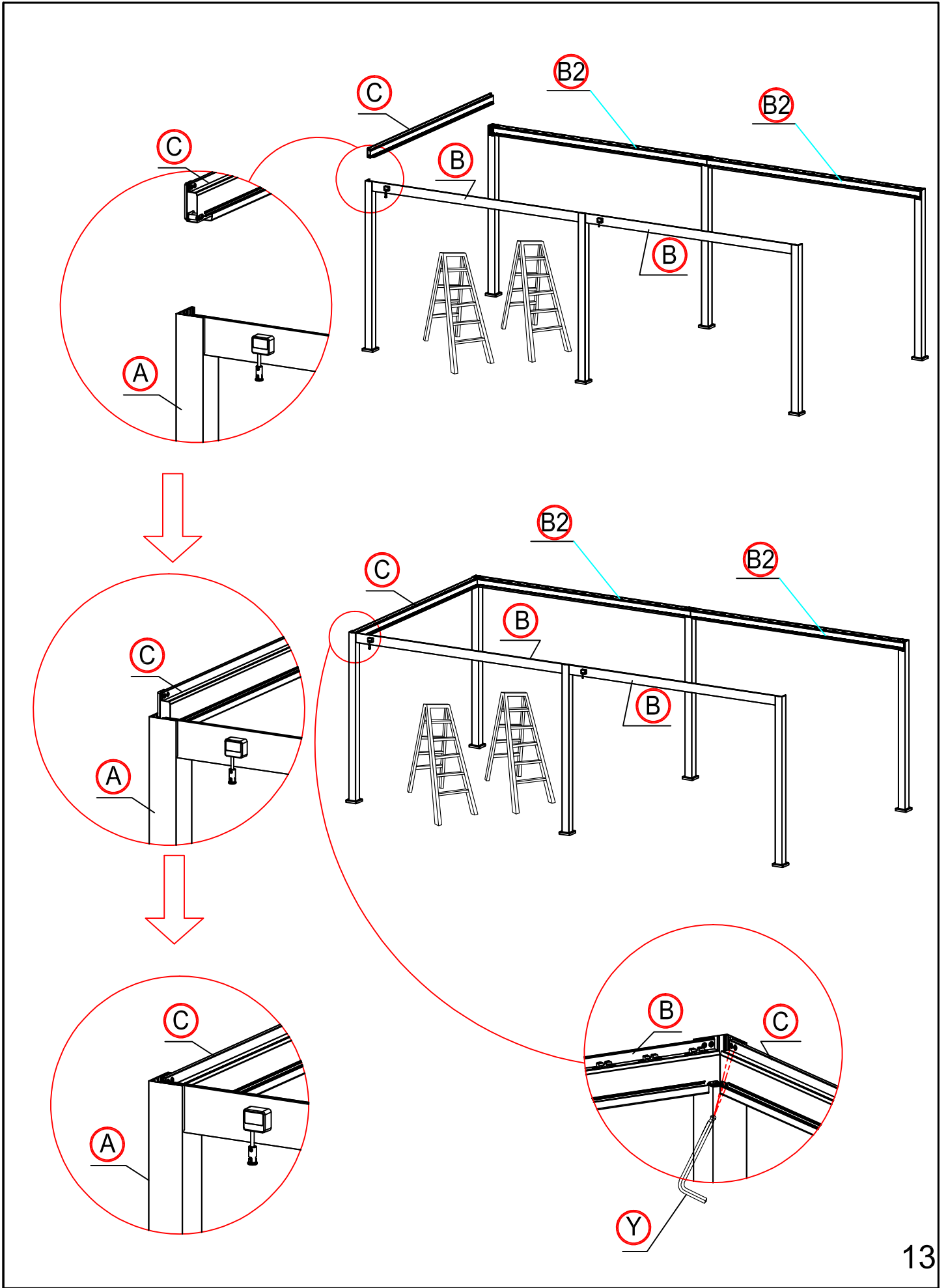


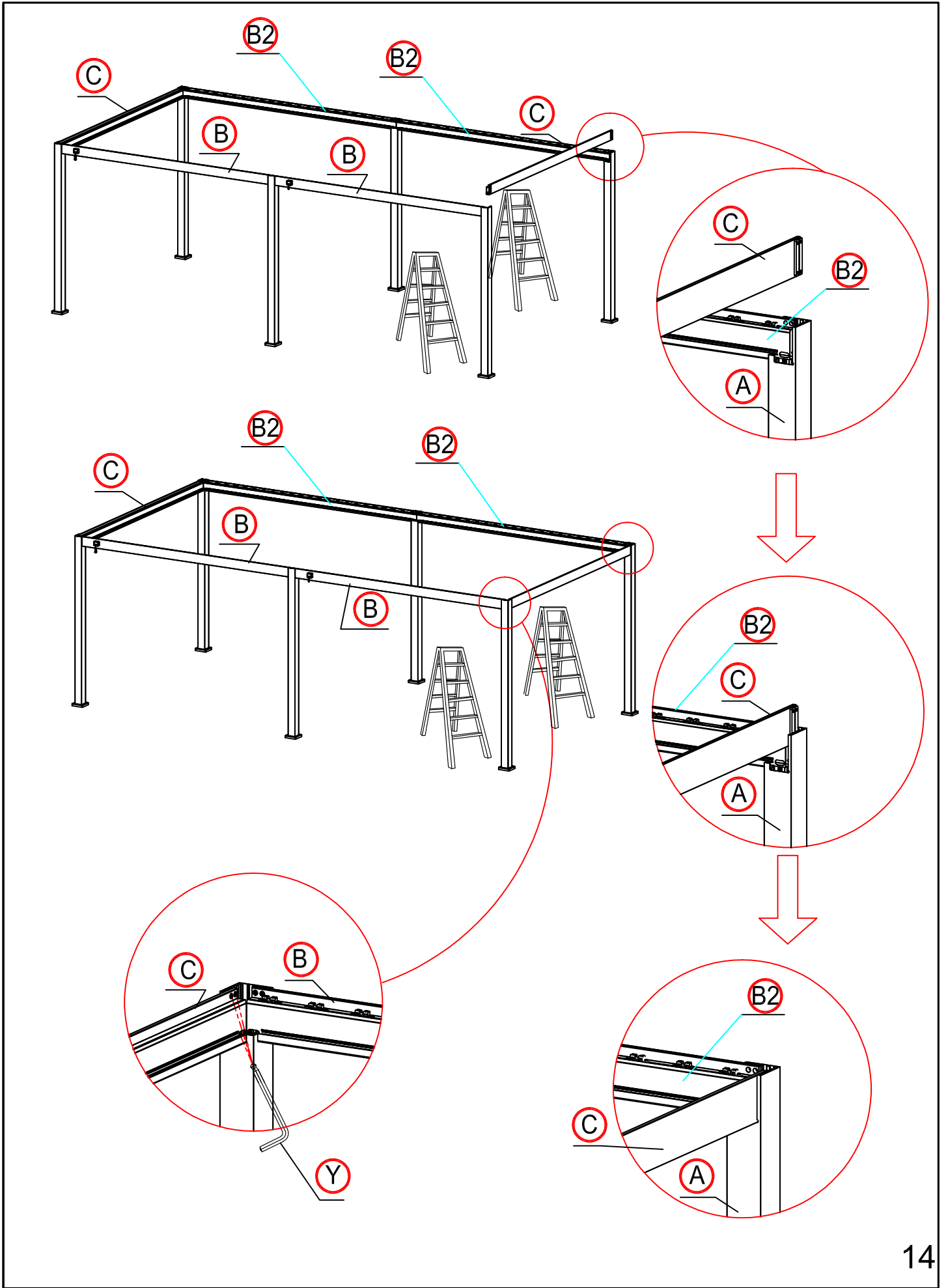
10

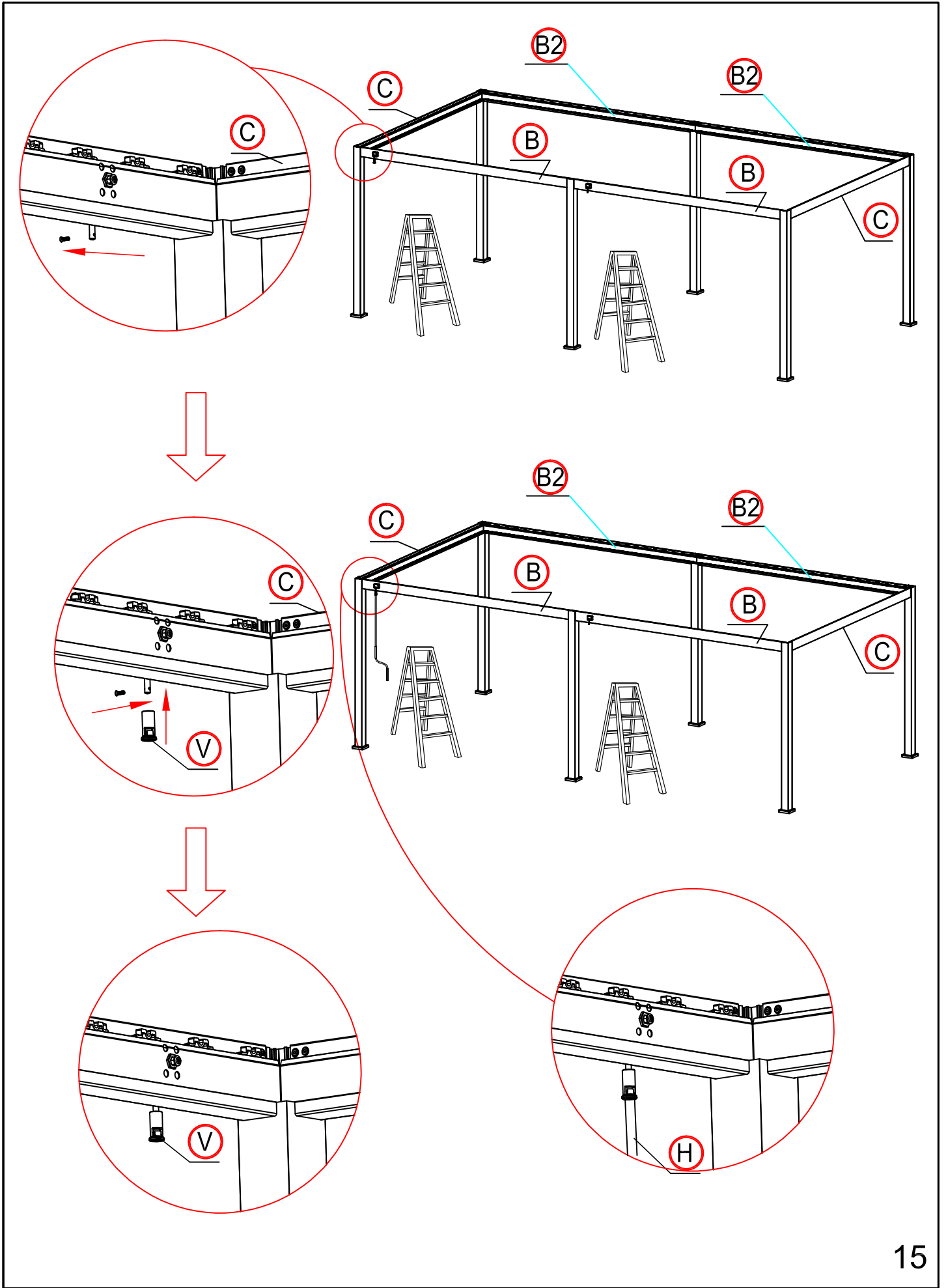
8



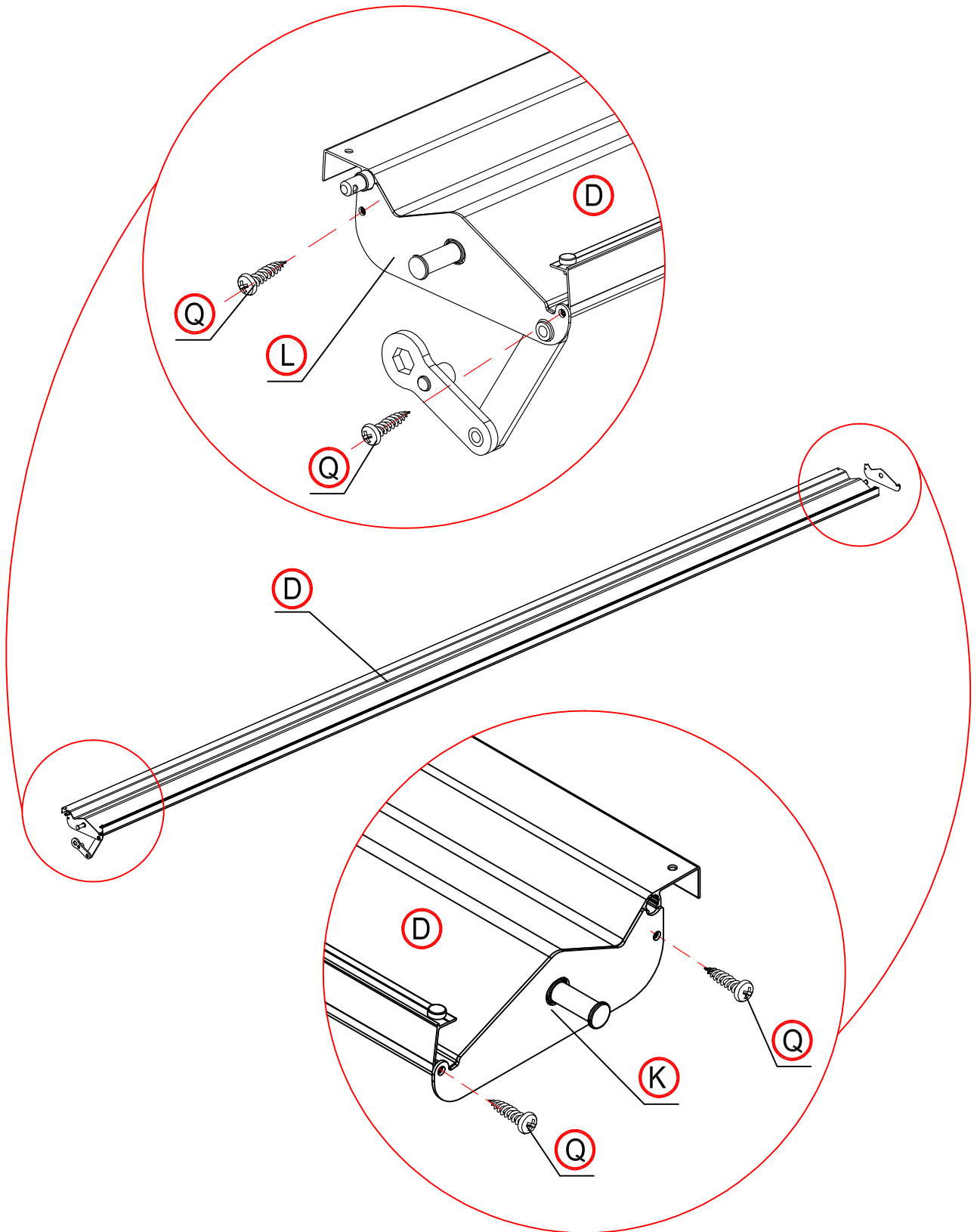




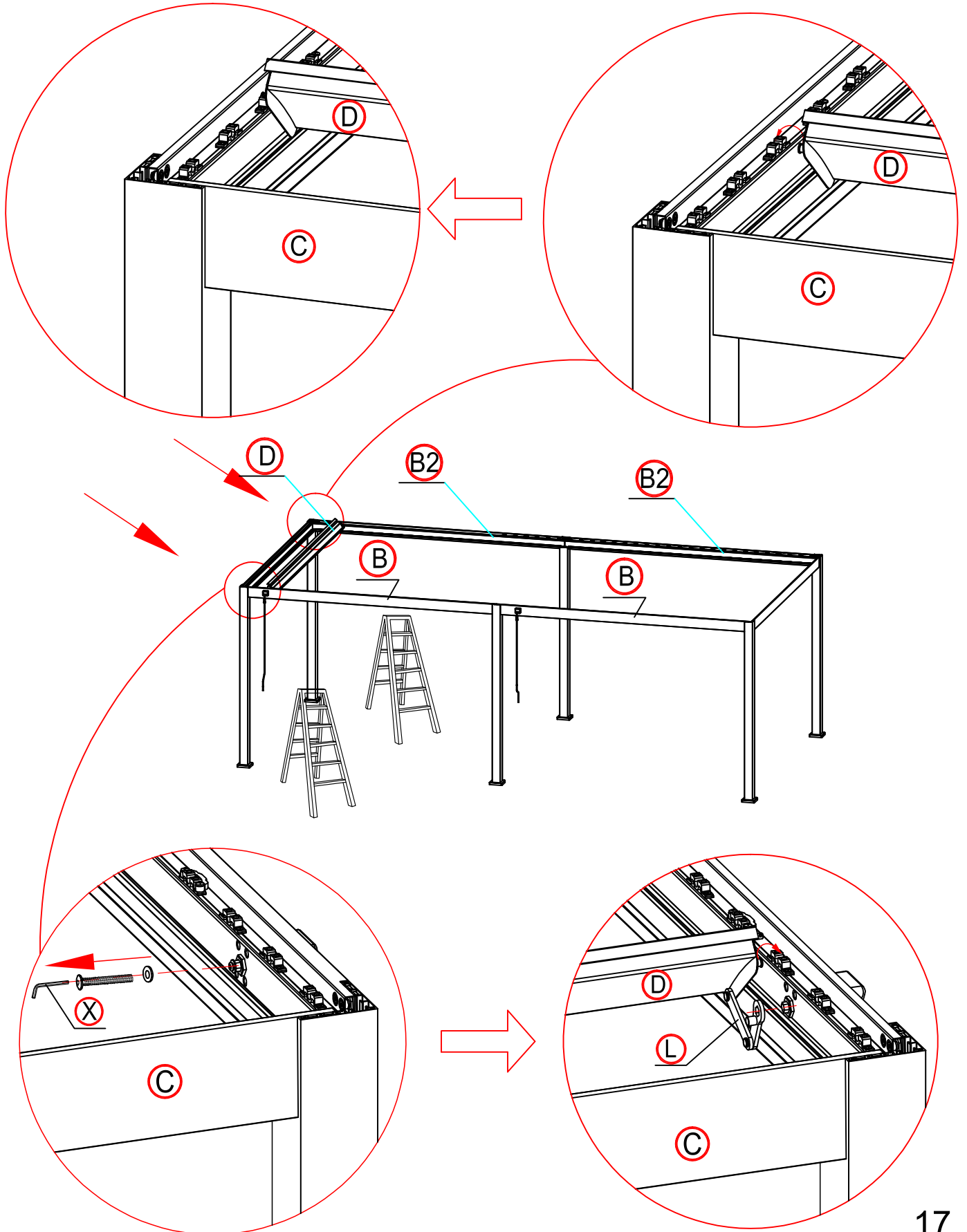




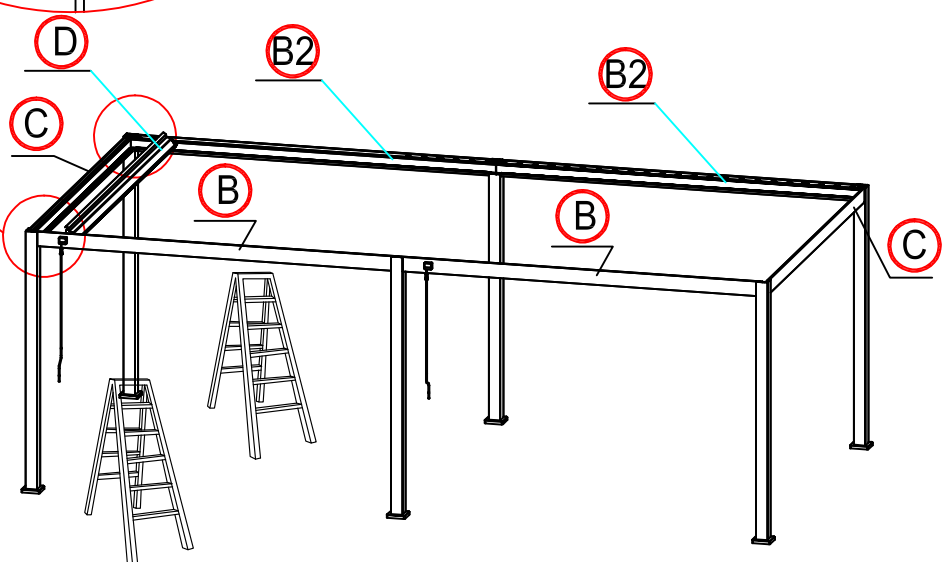
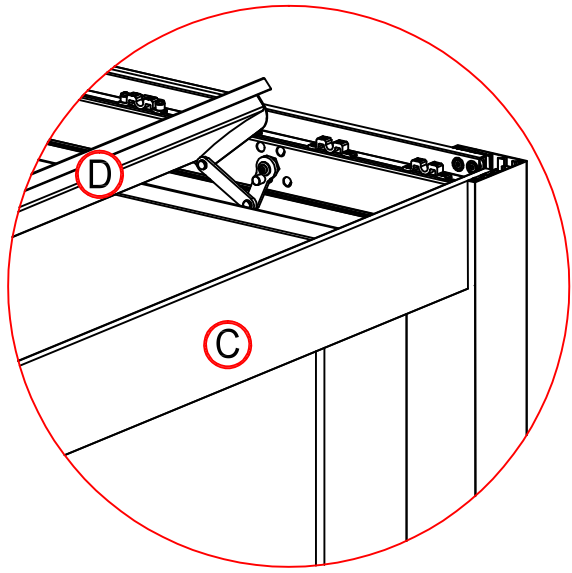
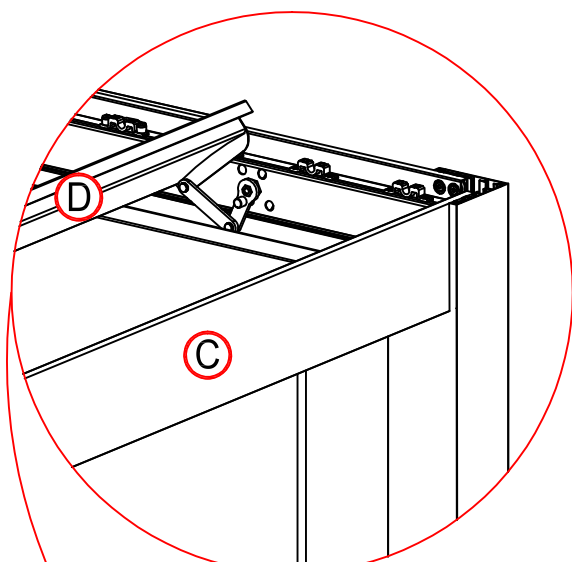
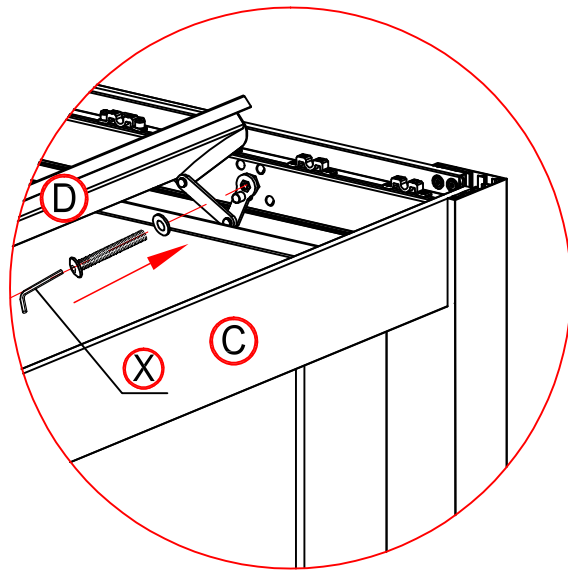
×2 times

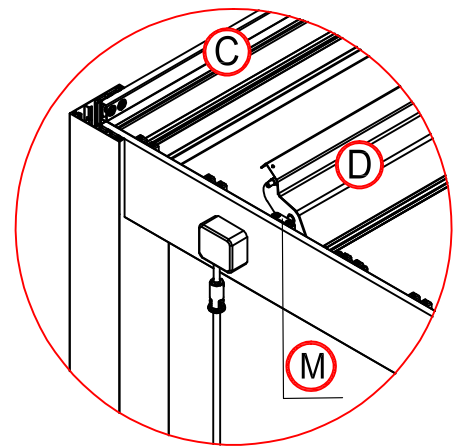
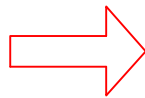
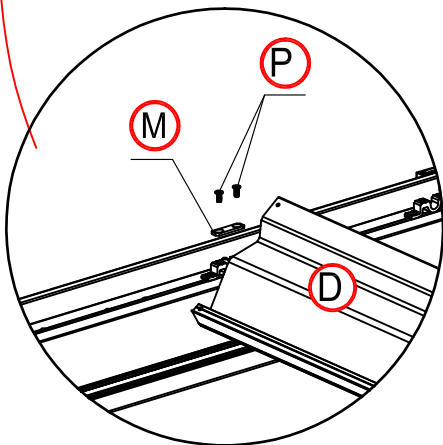
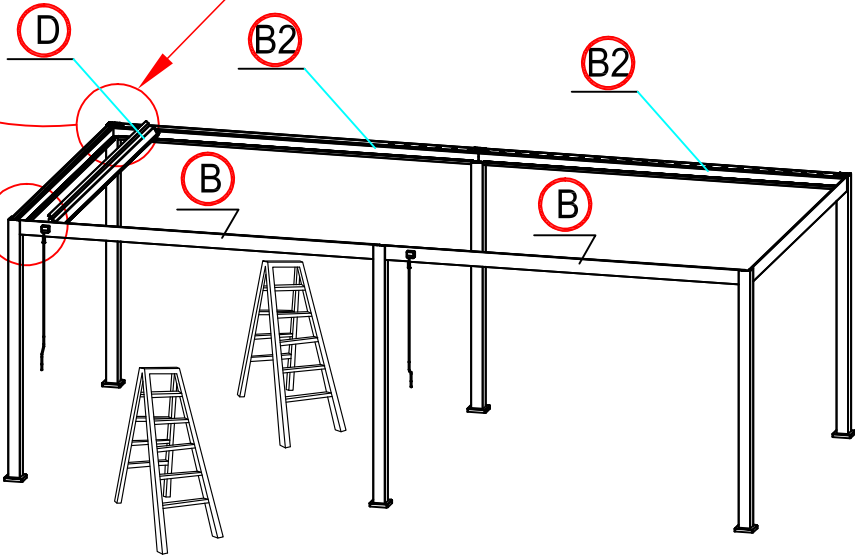
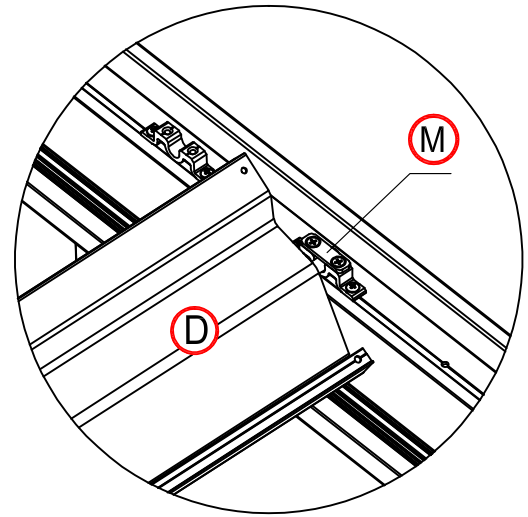
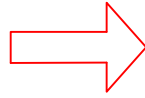
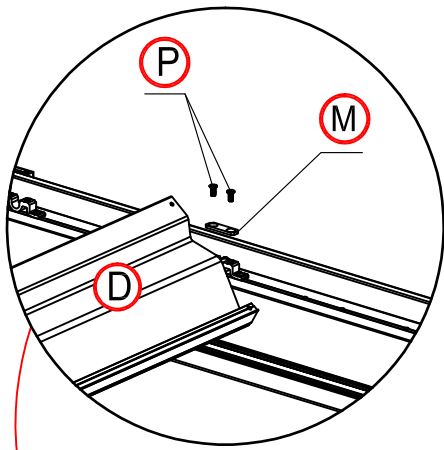


Assemble the third slice to the left.

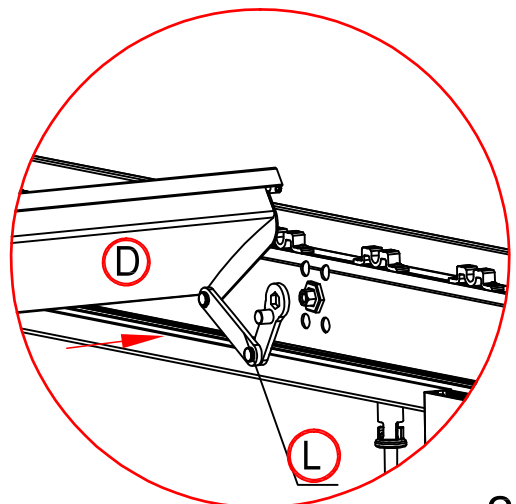
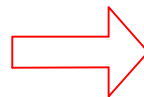
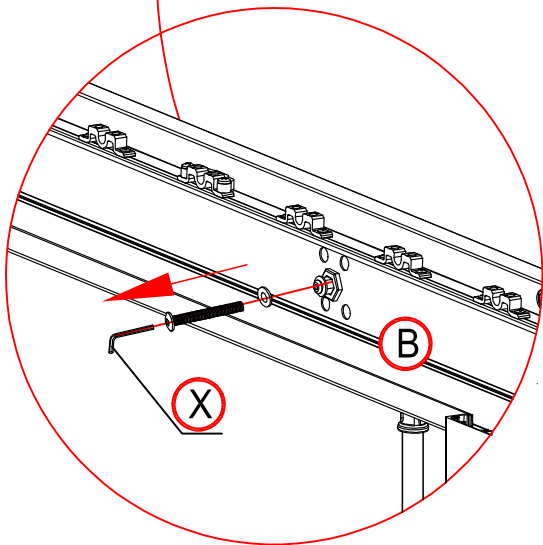
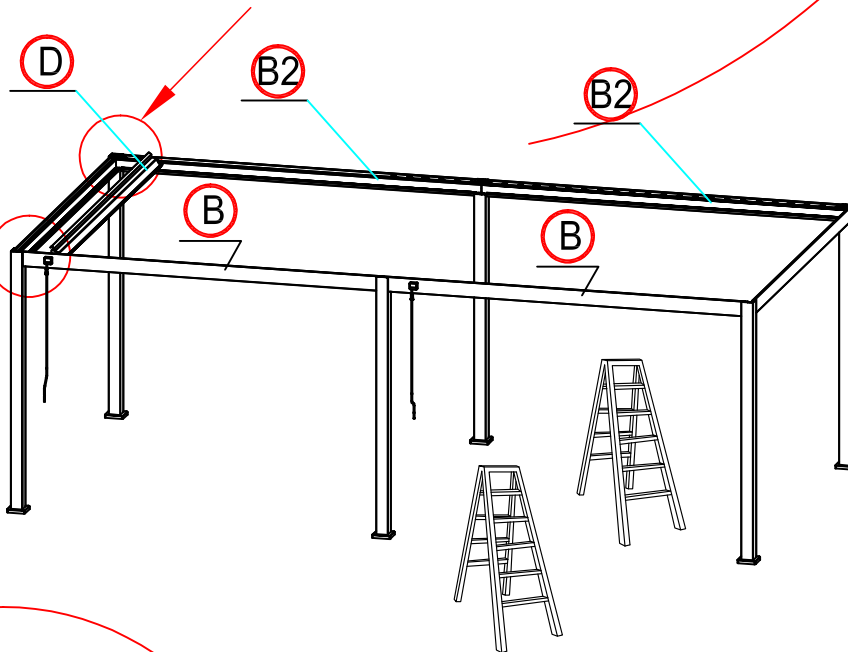
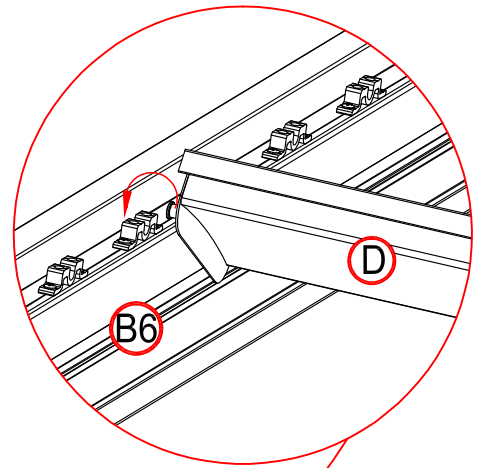
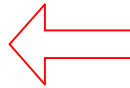
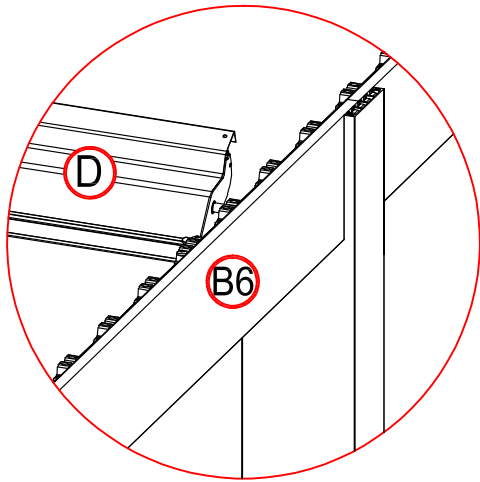


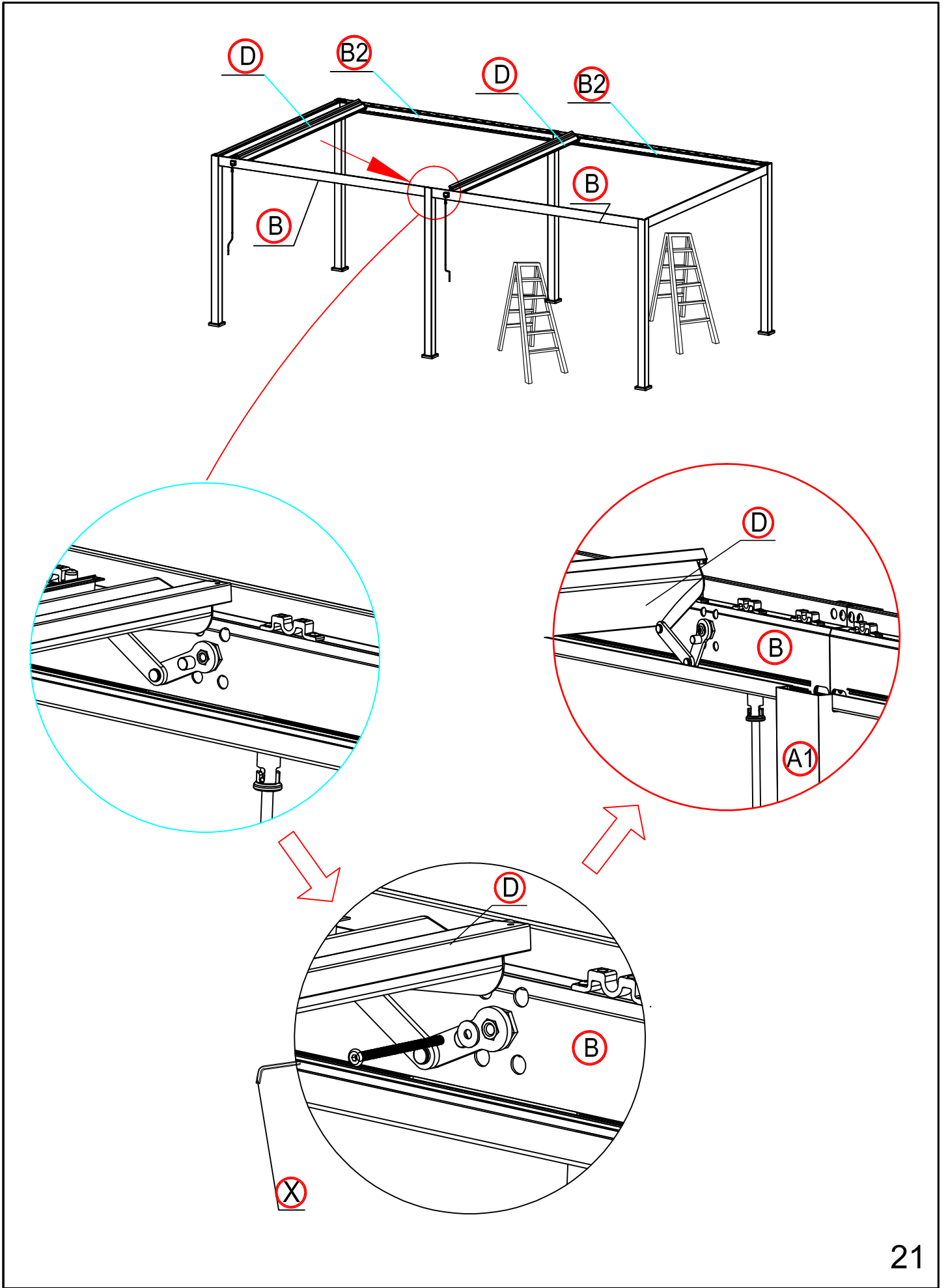


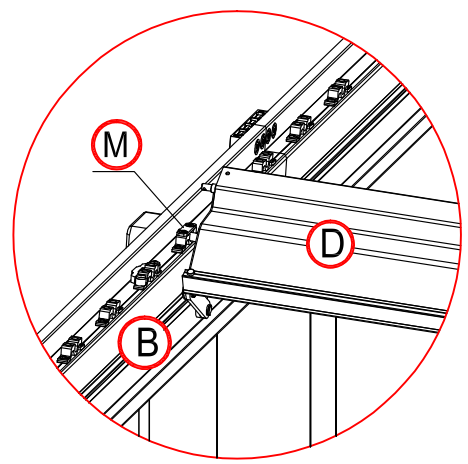
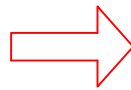
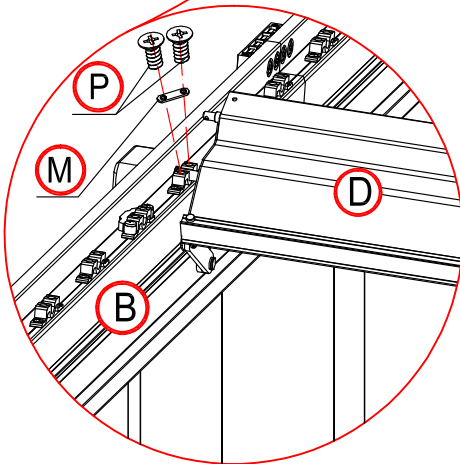
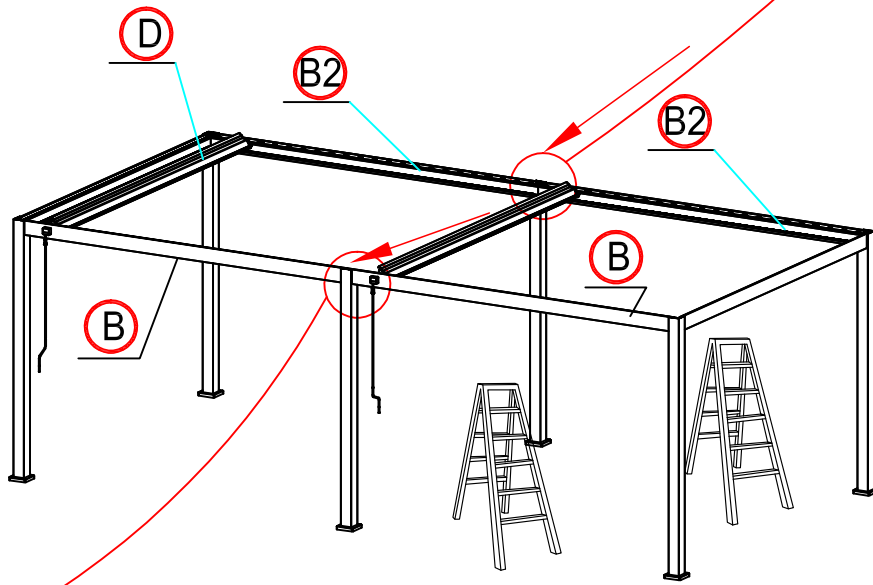
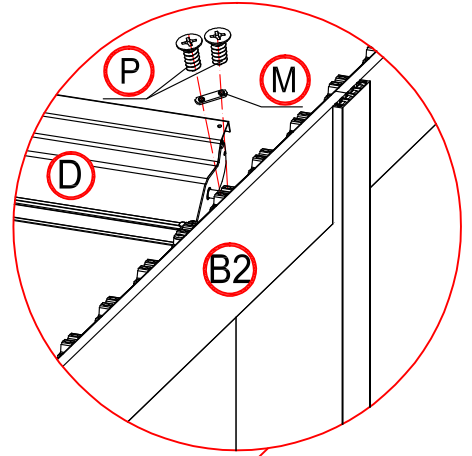
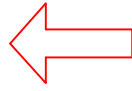
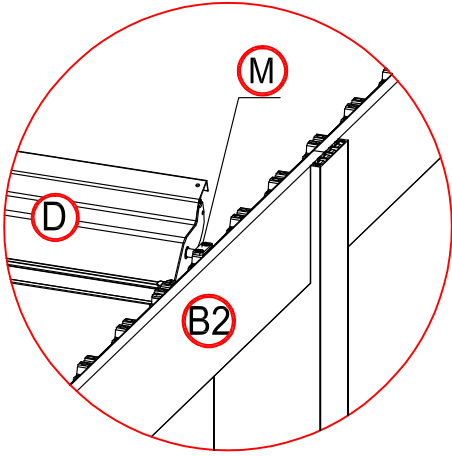




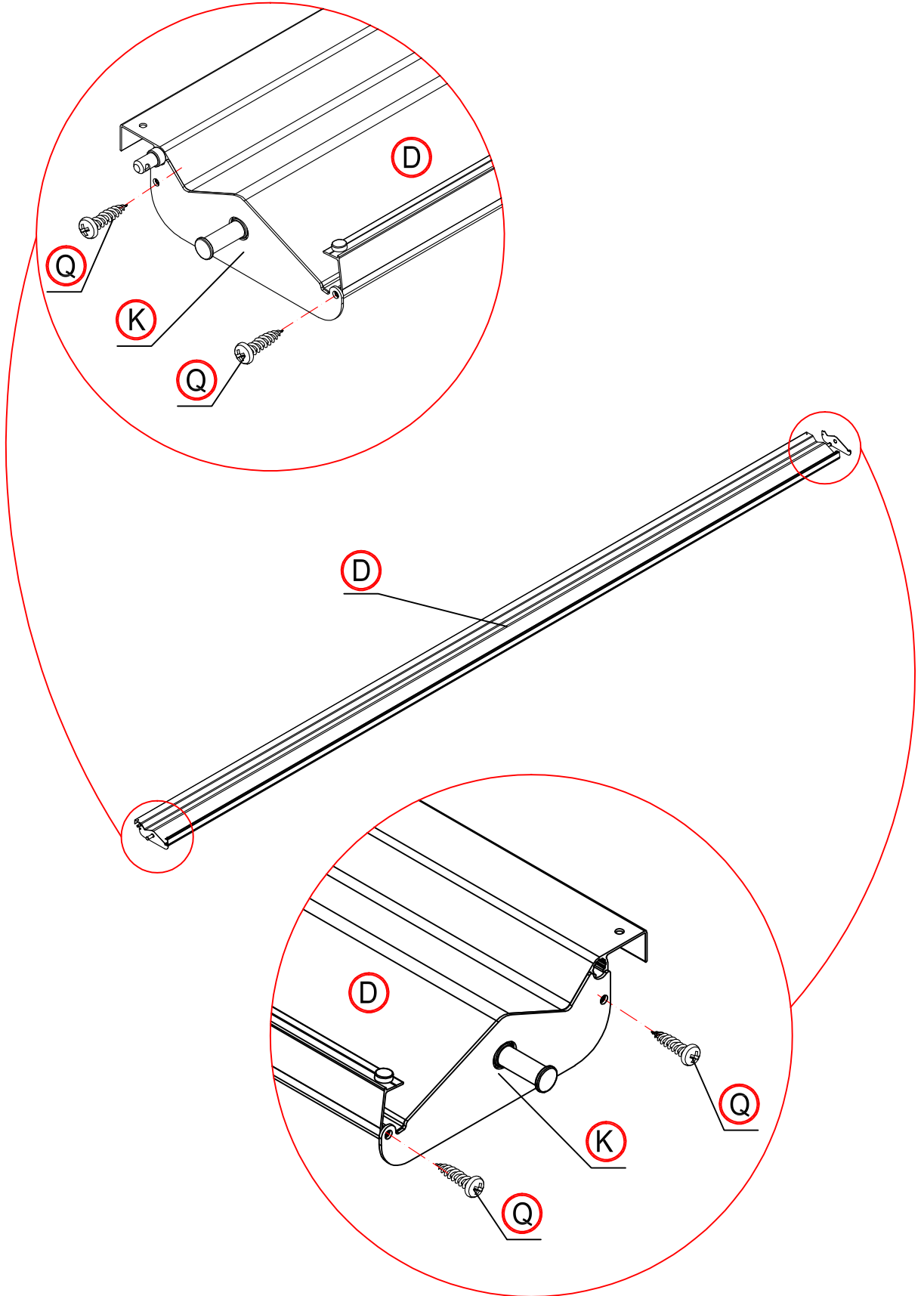
Assemble the third slice to the right.

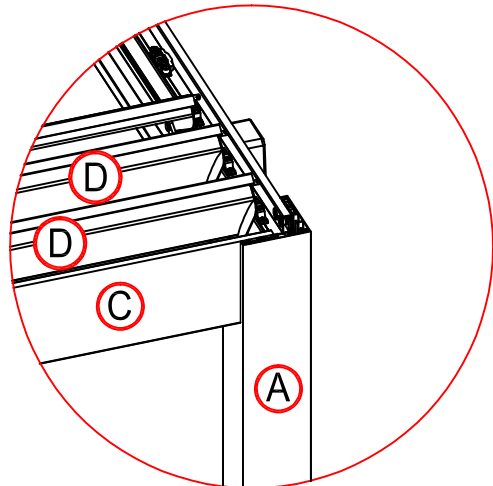
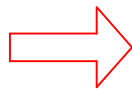
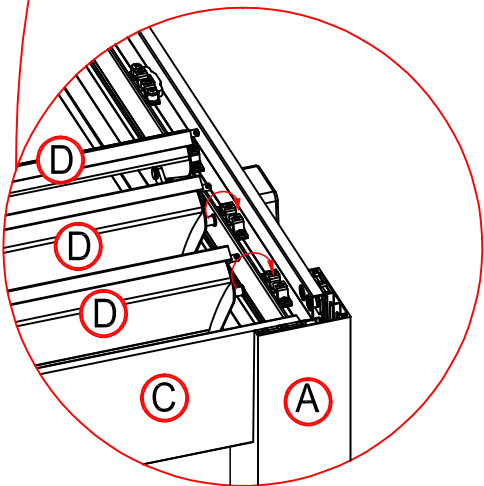
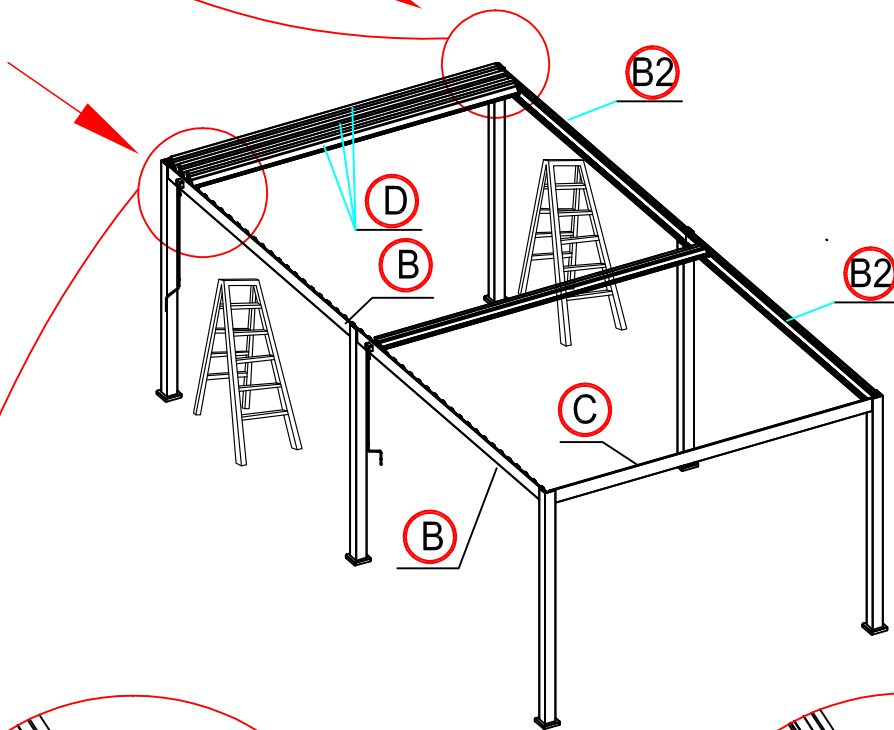
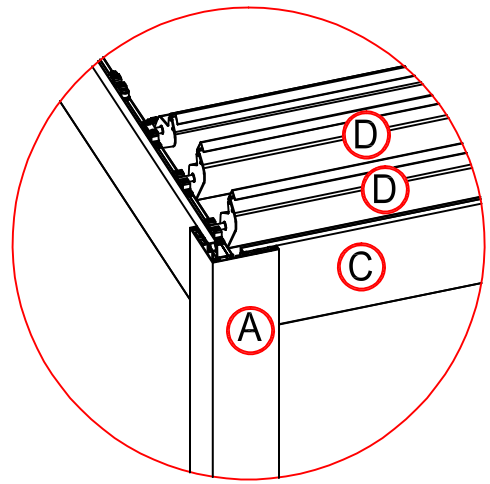
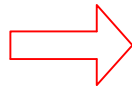
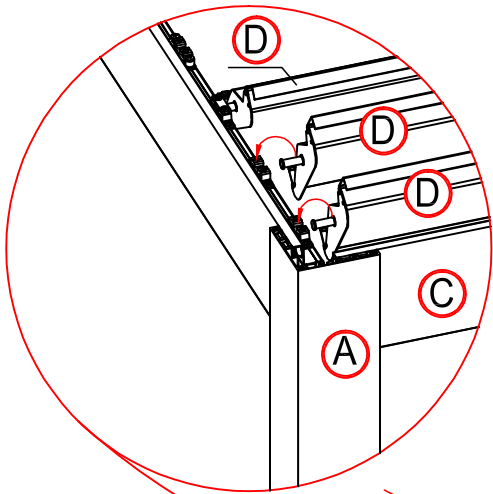


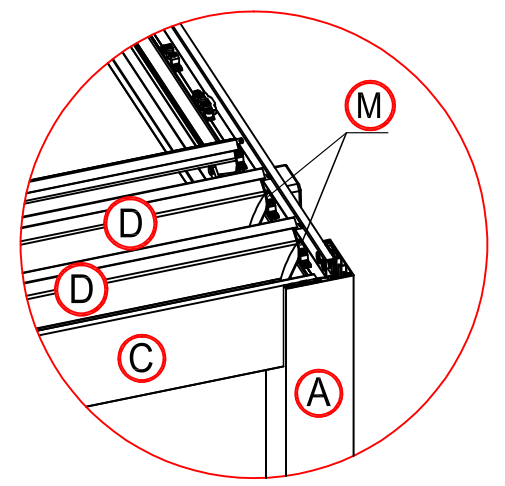
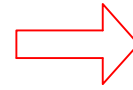
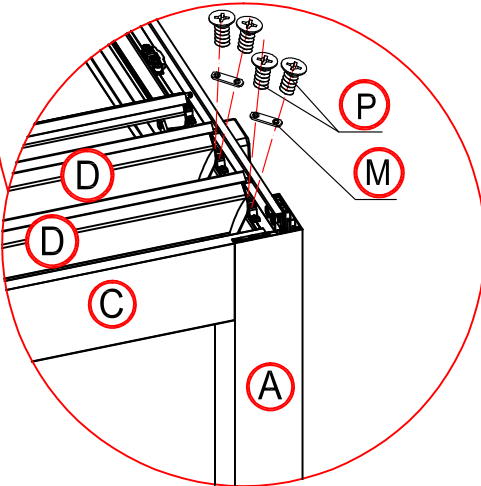
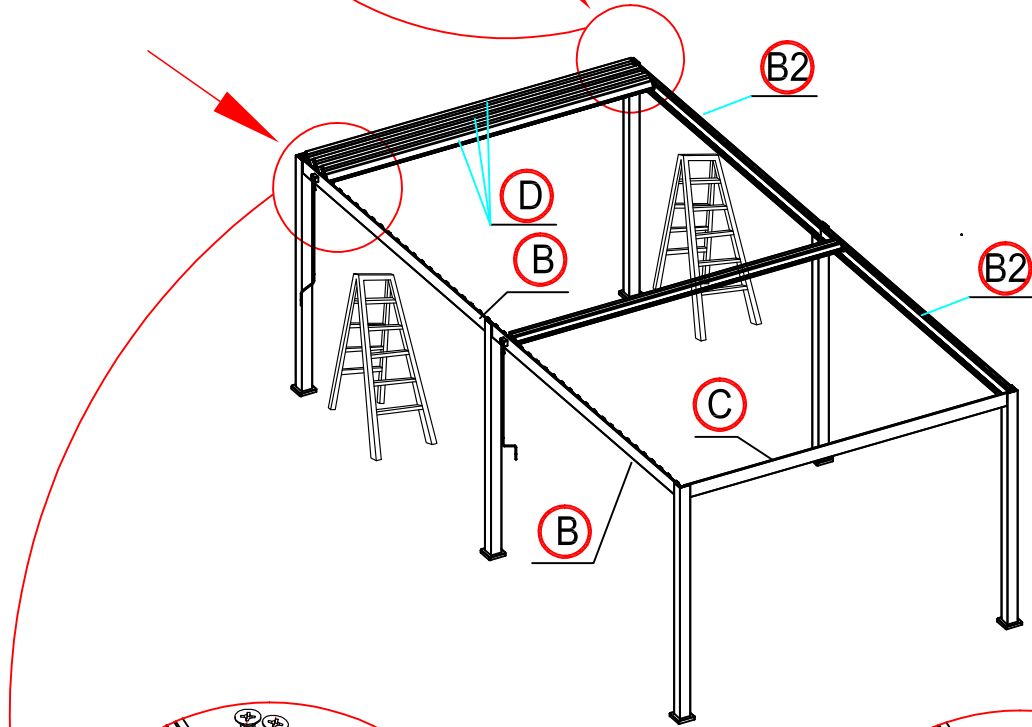
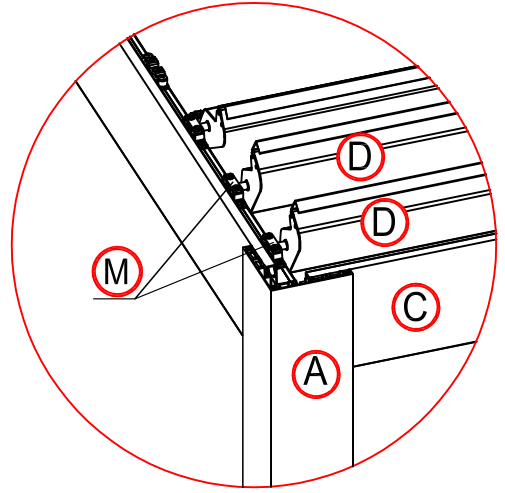
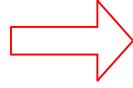
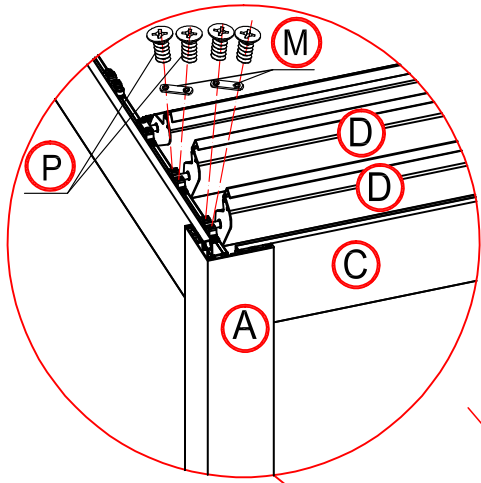




x46 times

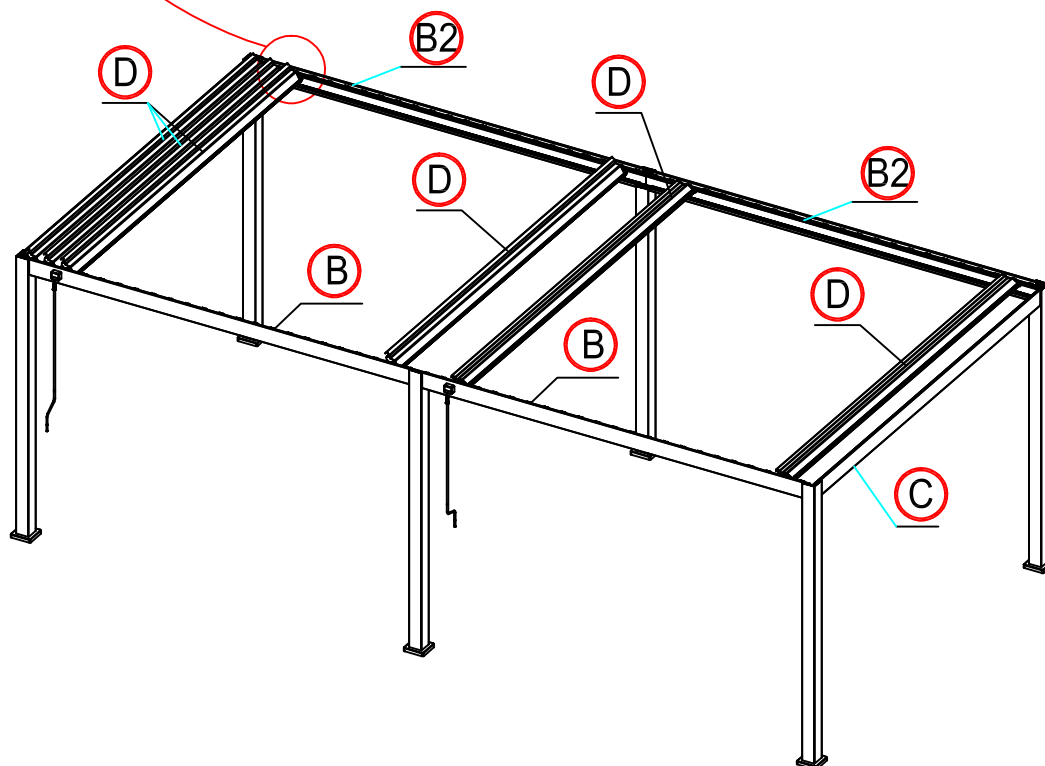
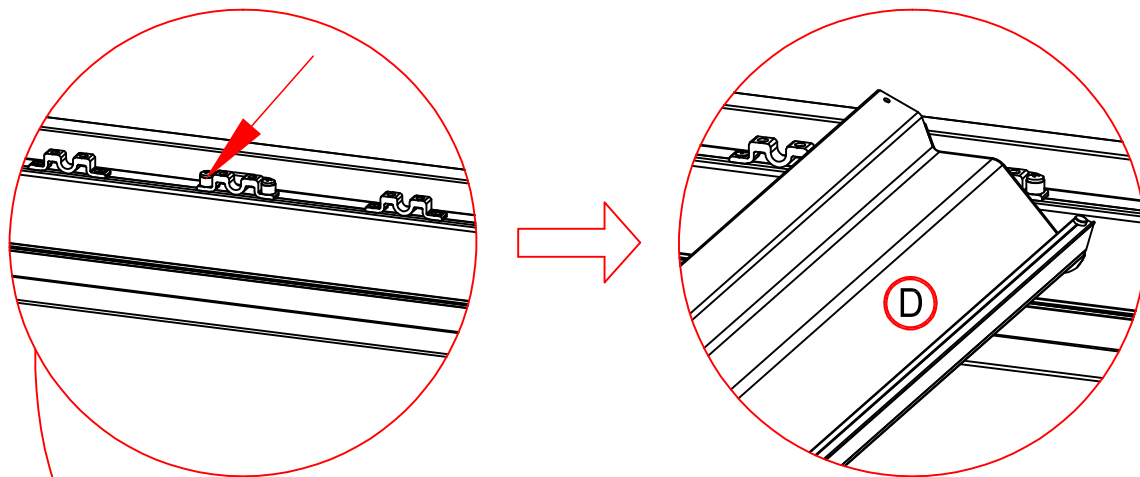




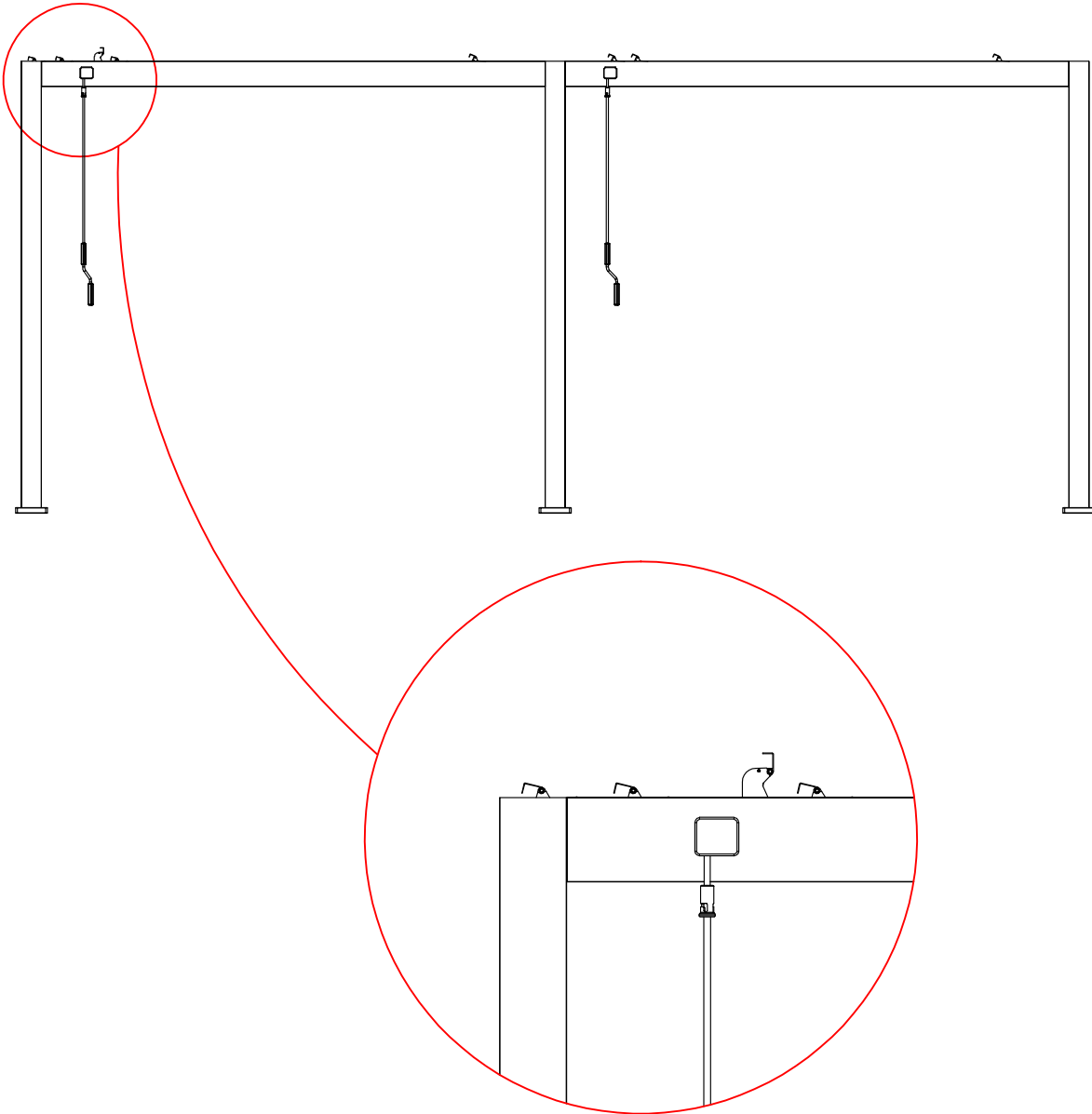


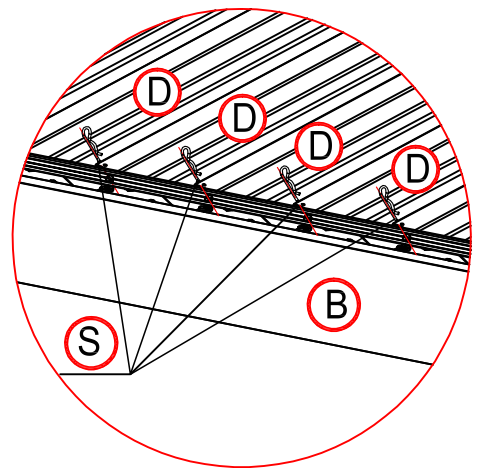
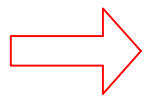
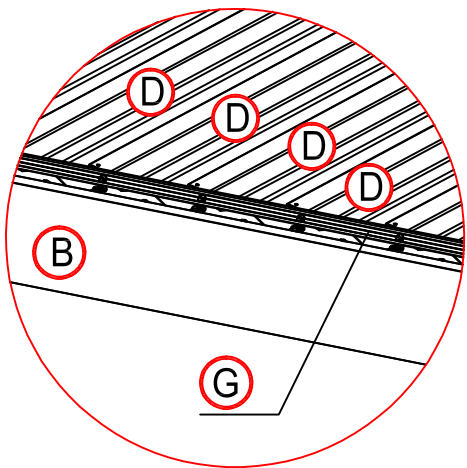
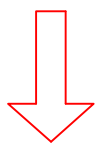
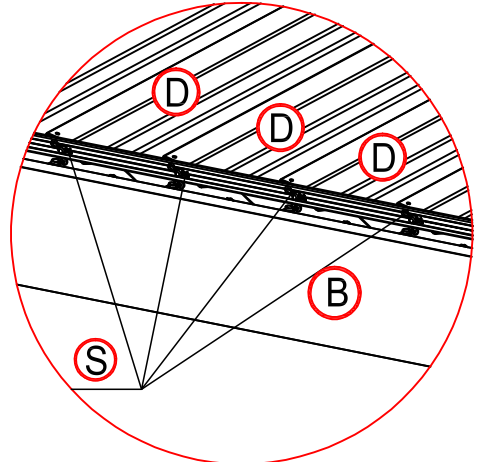
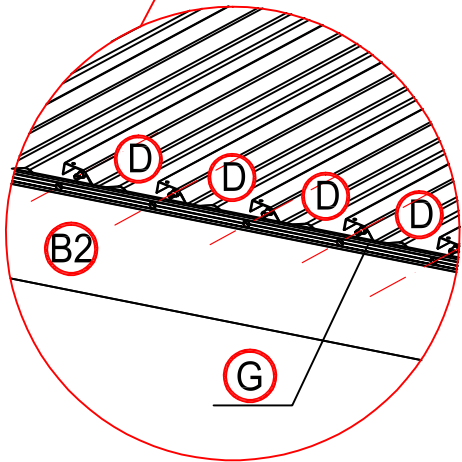
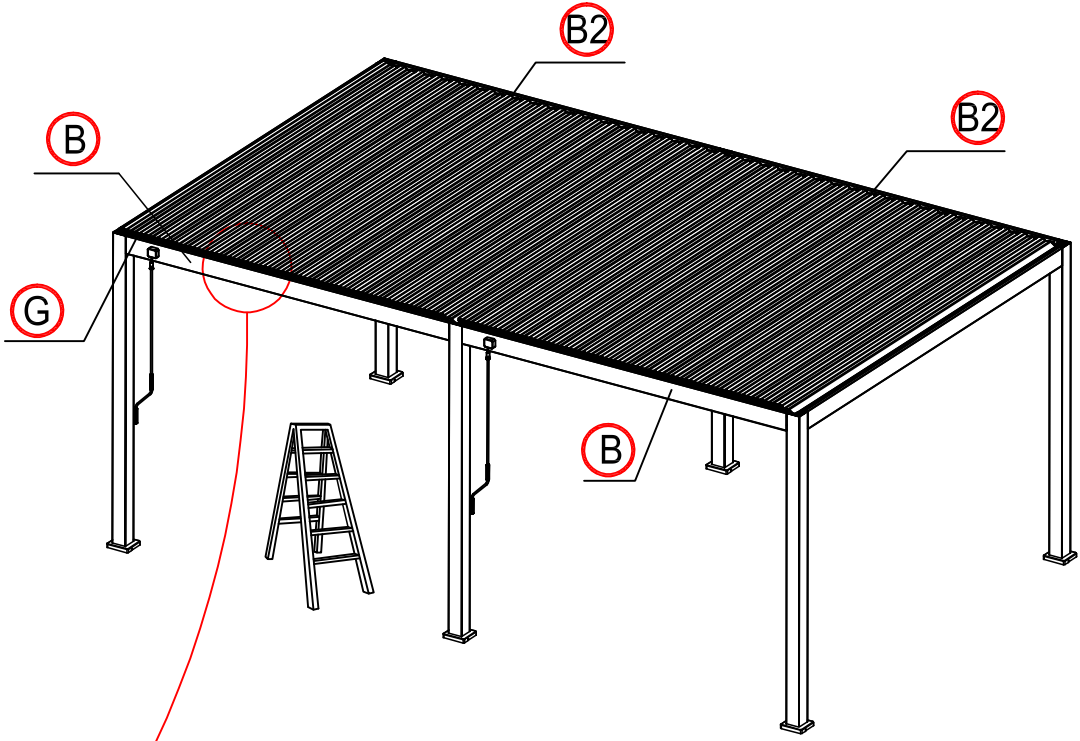


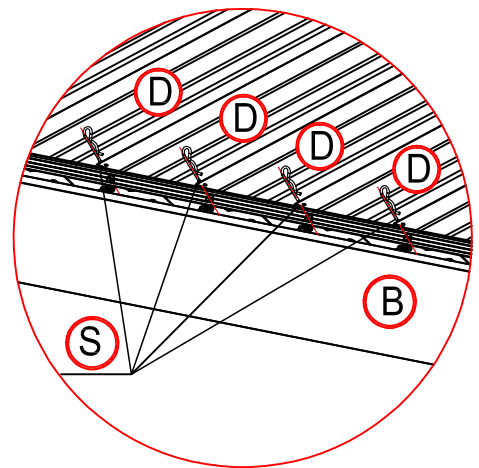
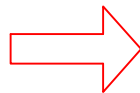
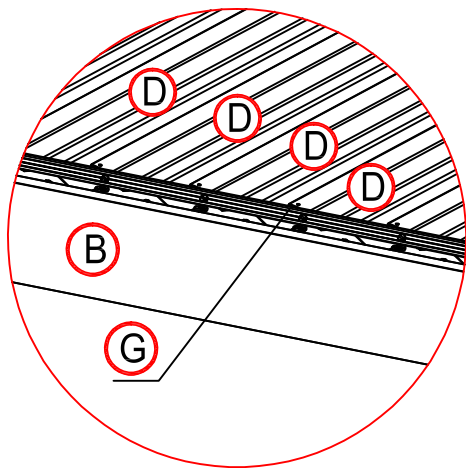
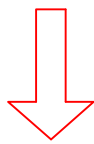
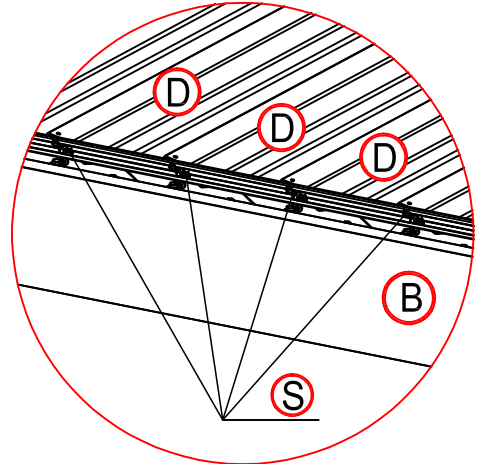
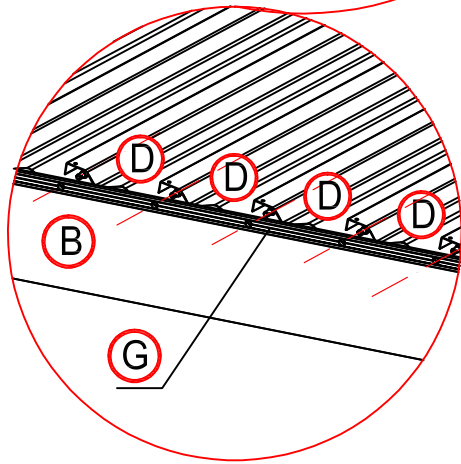
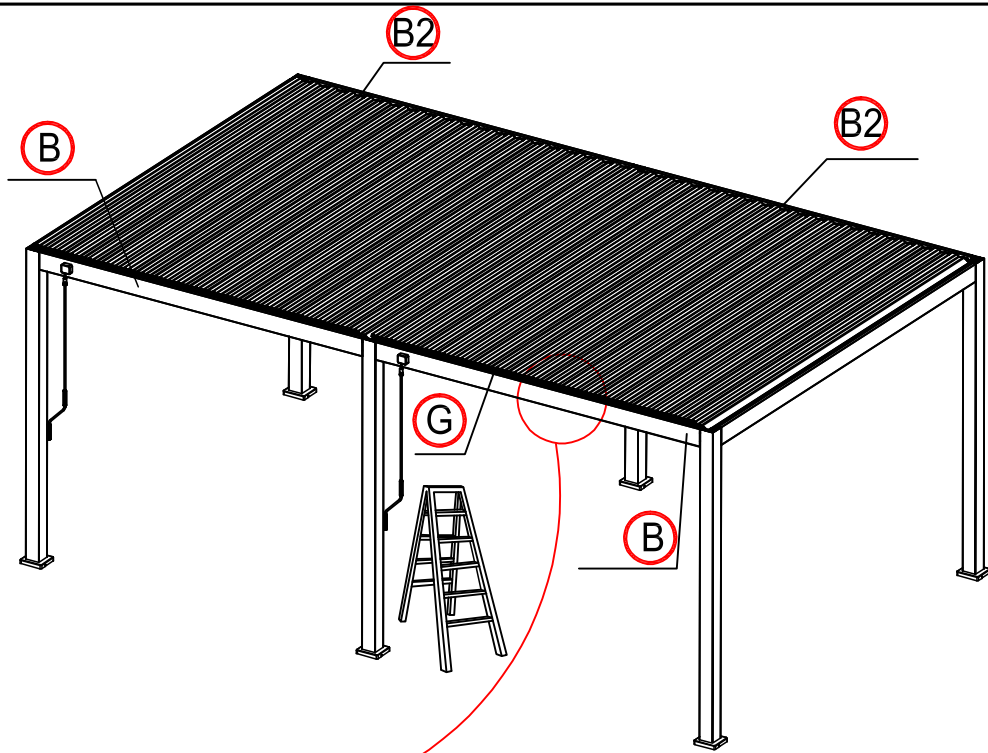
Please install the four shutters with hangers first.

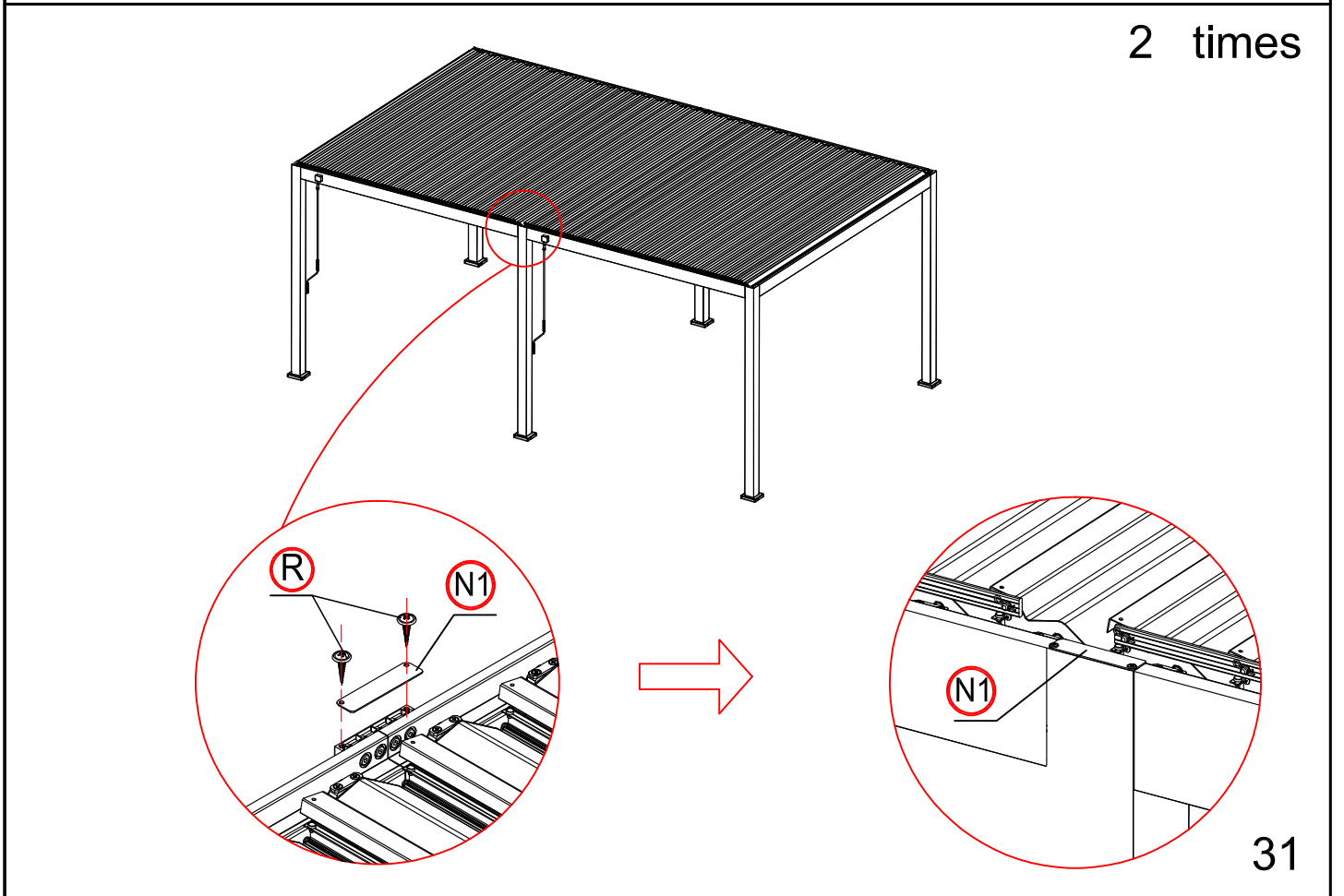
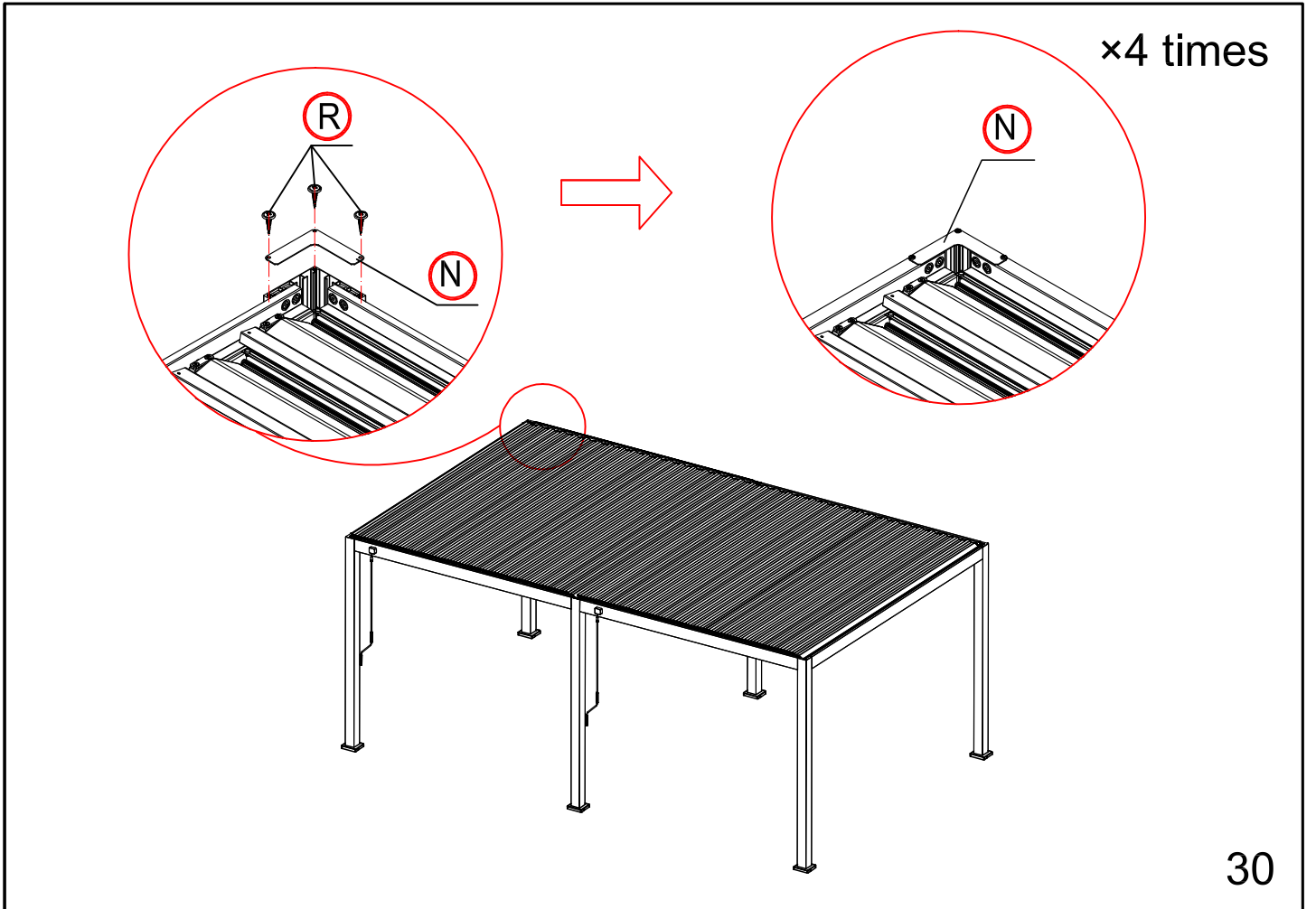


Make the shutter as vertical.

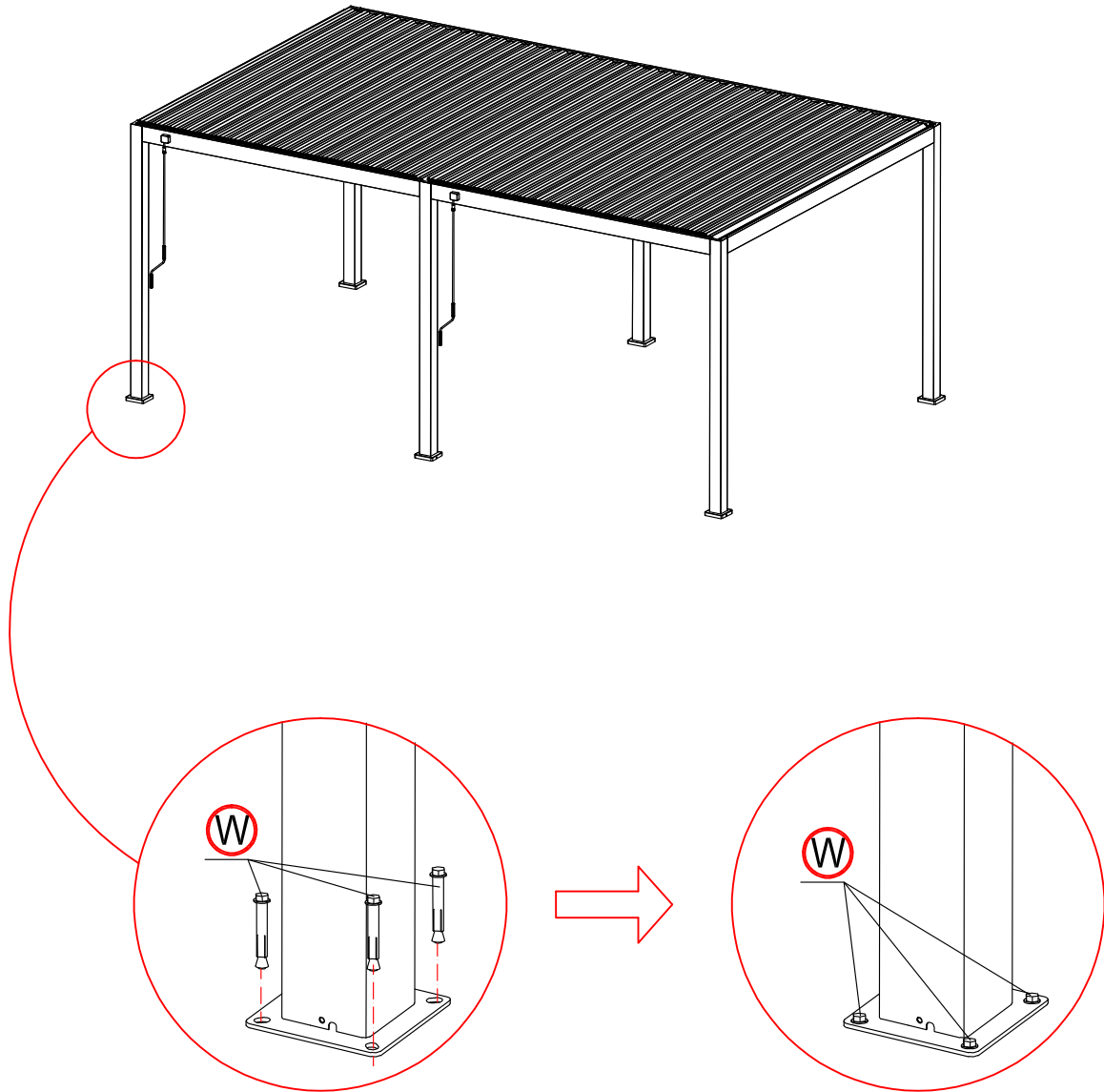








×6 times



720x360x250cm

