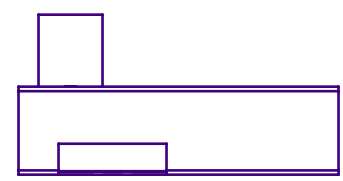
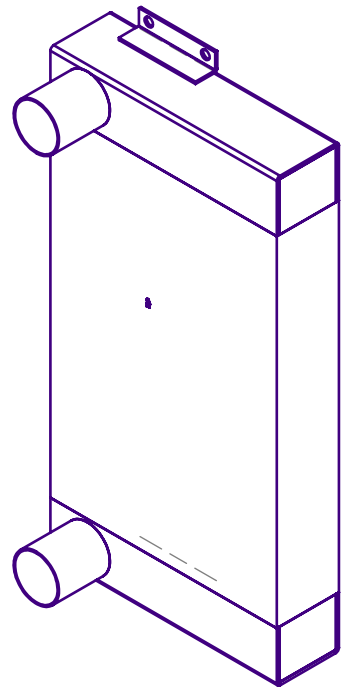
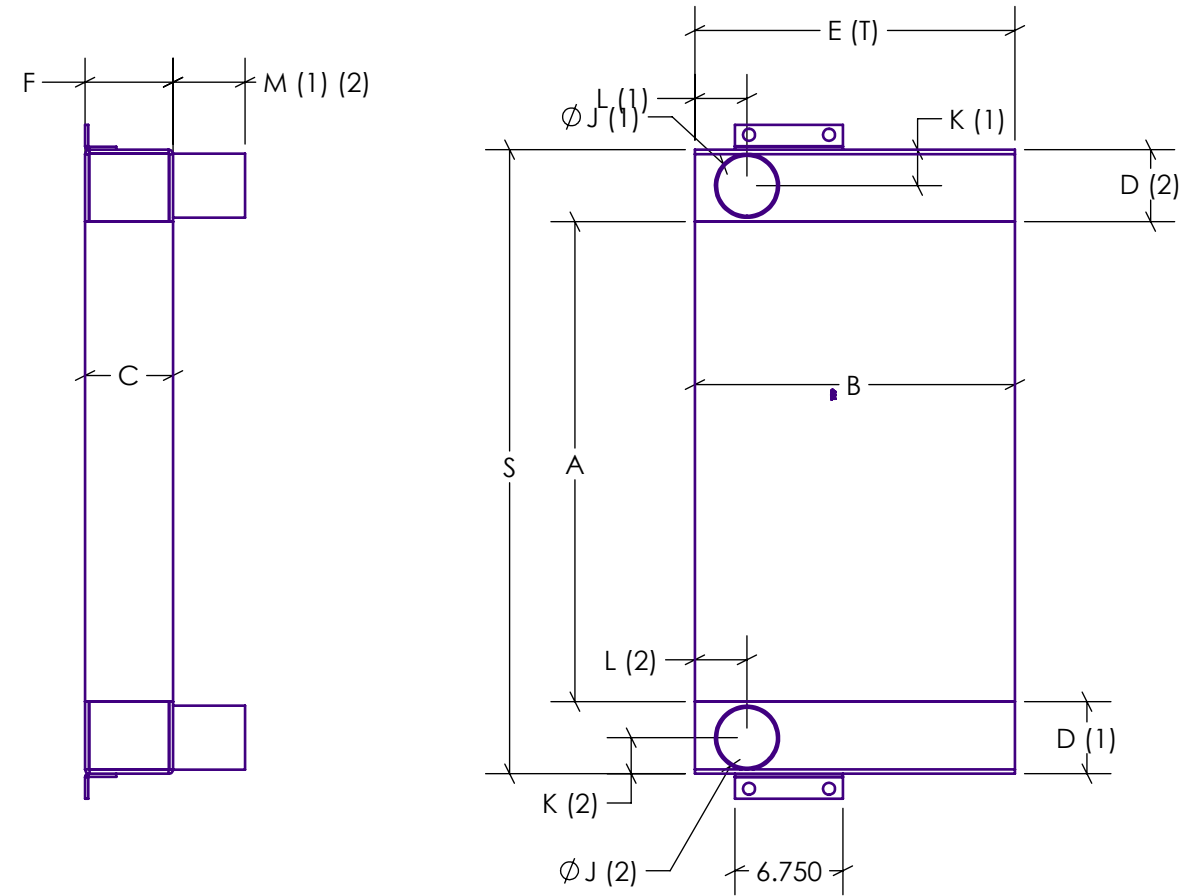


THREAD SIZES = (EXAMPLE: 3/8-16 THREADED INSERTS)		
LOCATION ON RADIATOR	SIZE (EX 3/8)	PITCH (EX -16)



**RADIATOR SUPPLY HOUSE INC. CHARGE AIR COOLER  
DOWN FLOW UNIT**

SWEET HOME, OREGON  
RADIATORSUPPLYHOUSE.COM  
1-888-325-1775



PROPRIETARY AND CONFIDENTIAL  
THE INFORMATION CONTAINED IN THIS  
DRAWING IS THE SOLE PROPERTY OF  
RADIATOR SUPPLY HOUSE INC. ANY  
REPRODUCTION IN PART OR AS A WHOLE  
WITHOUT THE WRITTEN PERMISSION OF  
RADIATOR SUPPLY HOUSE INC. IS  
PROHIBITED.

CORE	RIGHT TANK	LEFT TANK	SIDE RAILS	RIGHT TANK HOSE CONNECT	LEFT TANK HOSE CONNECT	FILLER NECK	PETCOCK/DRAIN	OIL COOLER	OVERALL MEASUREMENTS	CUSTOMER SIGNATURE OF APPROVAL:
A=	D=	D=	G=	$\phi J(1)=$	$\phi J(2)=$	$\phi O=$	YES/NO (CIRCLE ONE)	YES/NO (CIRCLE ONE)	T=	DATE: _____
B=	E=	E=	H=	K(1)=	K(2)=	P=	R=      S=	LOCATION:	U=	
C=	F=	F=	I=	L(1)=	L(2)=	Q=	LOCATION:		V= (SIDE RAIL WIDTH)	
				M(1)=	M(2)=					