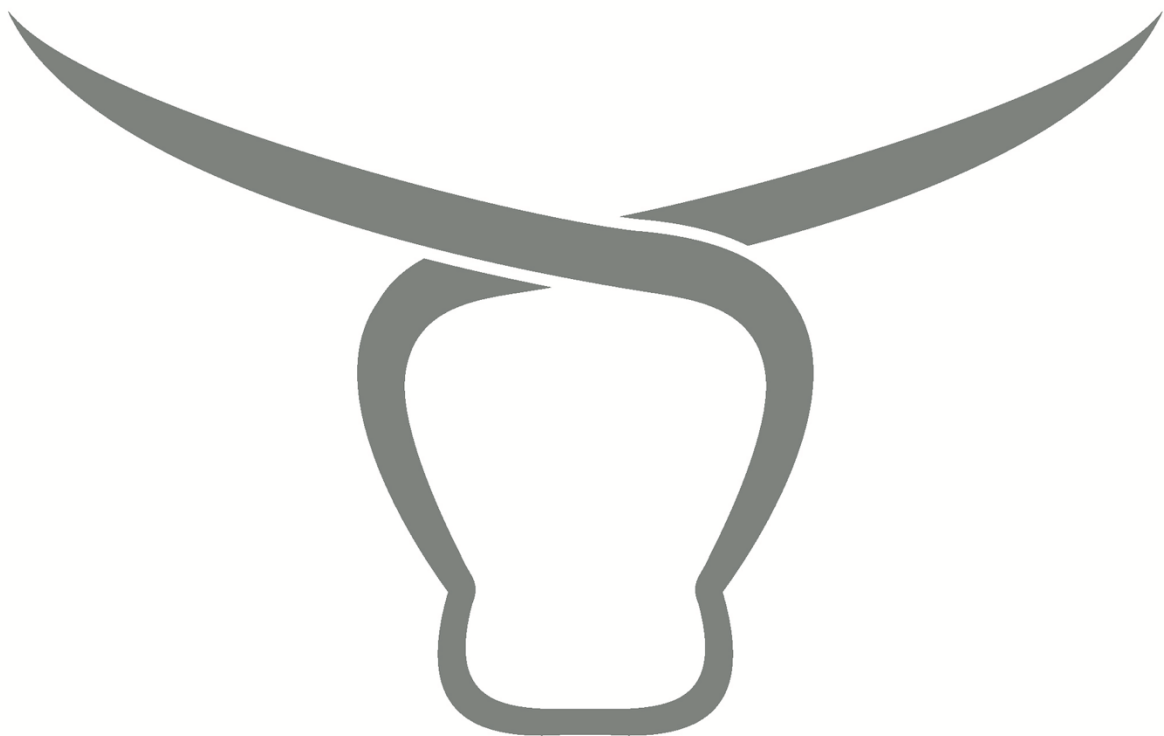
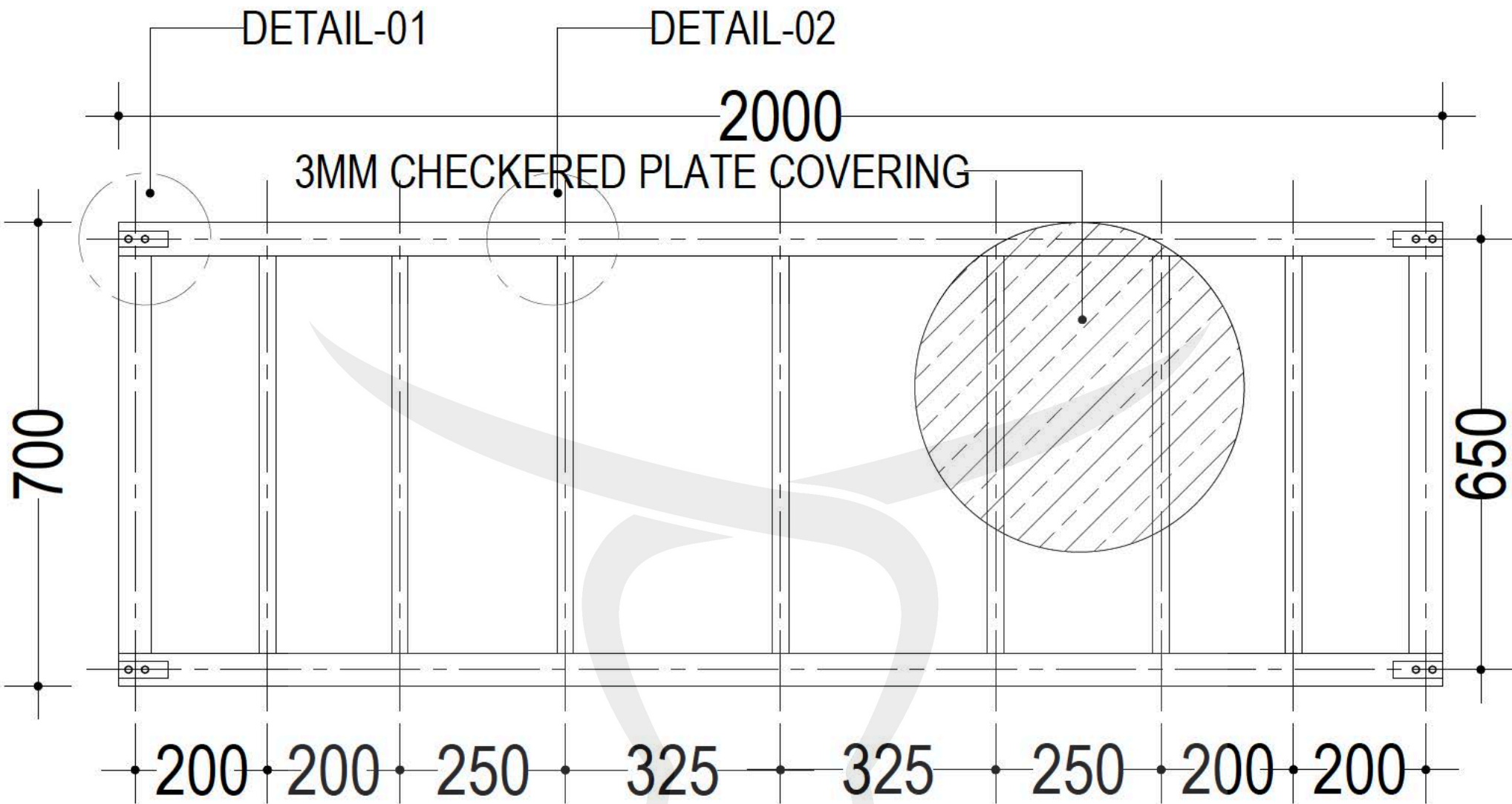


Livestock Scales Timber and Steel Platform Construction Guide





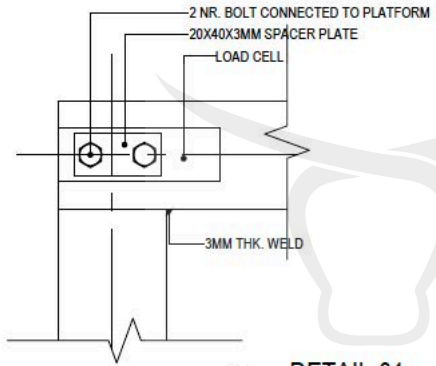
NOTE:

- A) ALL PERIPHERAL STEEL MEMBERS ARE 'RHS 50X75X3MM'
- B) ALL INTERMEDIATE STEEL MEMBERS ARE 'RHS 25X75'
- C) ALL STEEL GRADE IS 'C250'

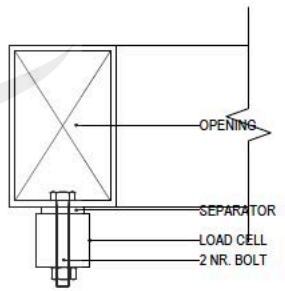
01

TOP VIEW OF STEEL PLATFORM

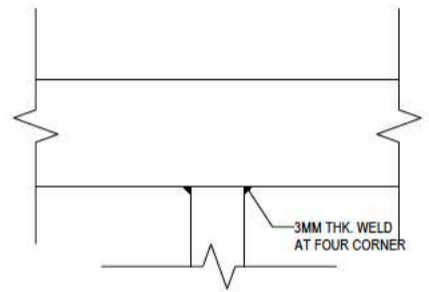
SCALE: NTS



03 **DETAIL-01**
SCALE: NTS



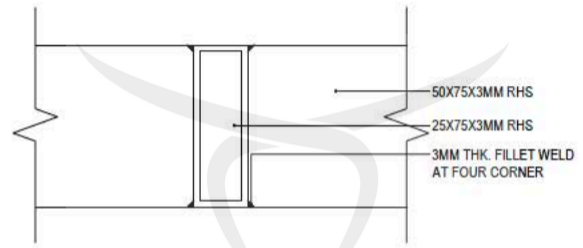
03
S-101



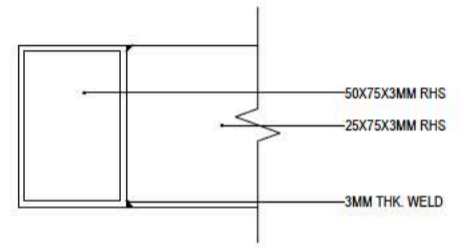
02
S-101

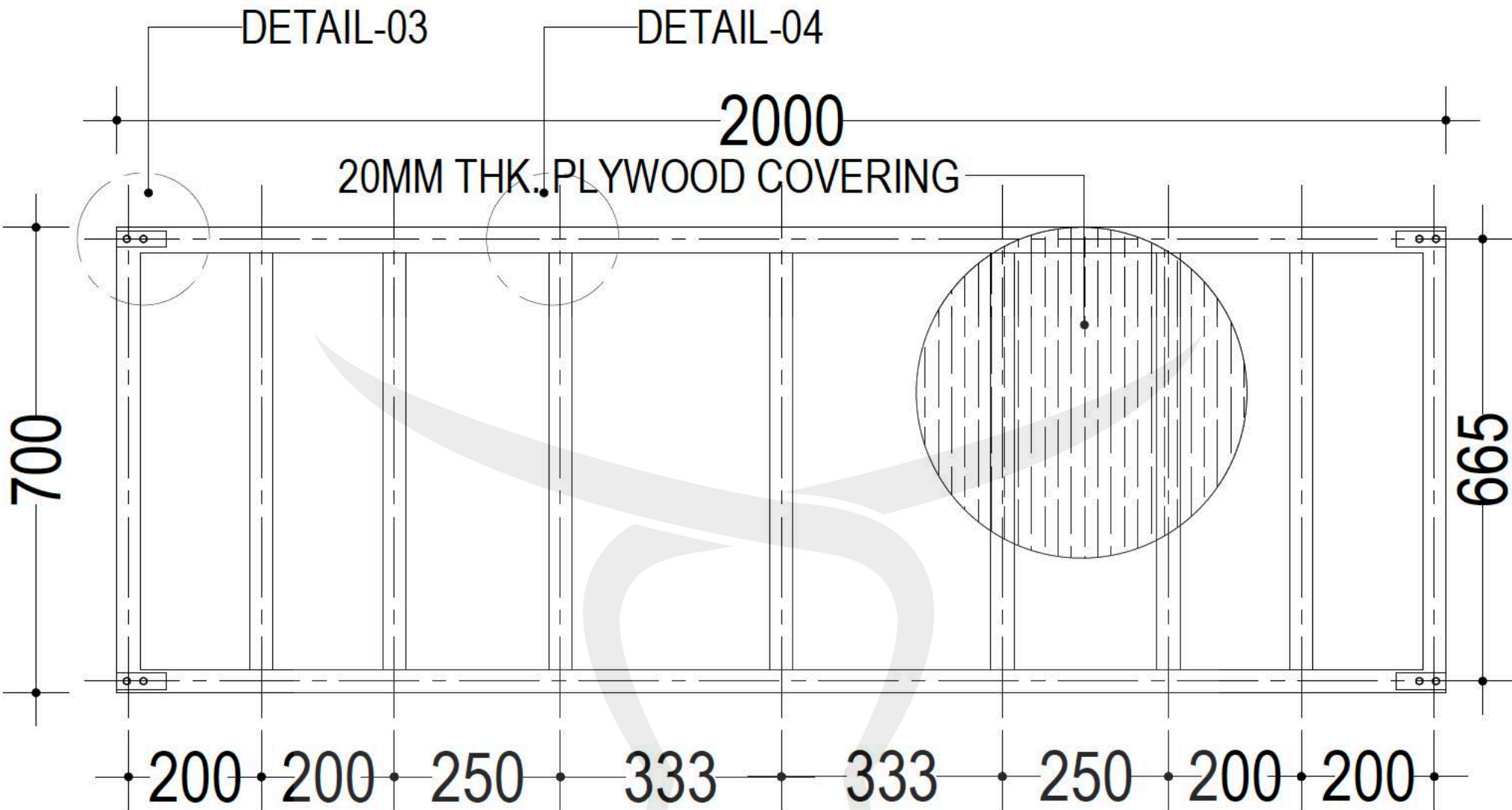
04
DETAIL-04
SCALE: NTS

02
S-101



03
S-101





NOTE:

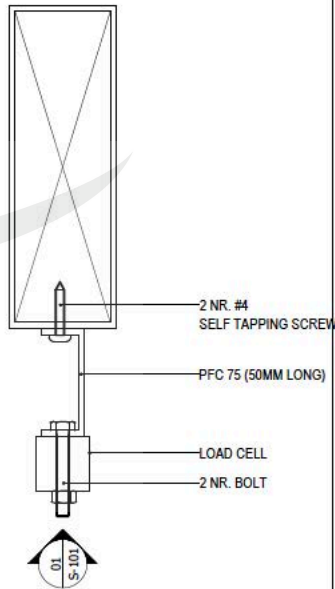
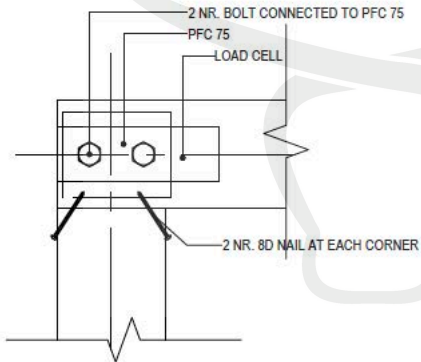
- A) ALL PERIPHERAL SAWN LUMBERS ARE 2"X6"
- B) ALL INTERMEDIATE SAWN LUMBERS ARE 2"X4"
- C) ALL SAWN LUMBER & PLYWOOD GRADE IS 'F8'

02

TOP VIEW OF TIMBER PLATFORM

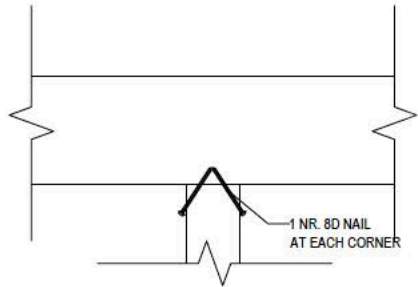
SCALE: NTS

01
S-101



05
DETAIL-03
SCALE: NTS

03
S-101

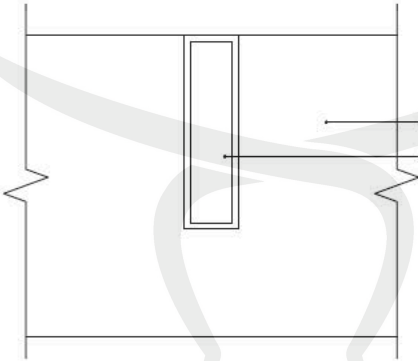


02
S-101

06

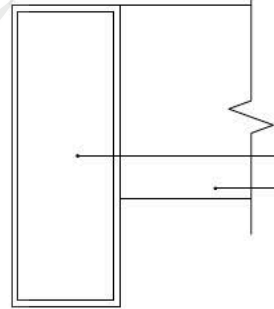
DETAIL-04
SCALE: NTS

02
S-101



2X6 DOUGLAS-FIR-LARCH
2X4 DOUGLAS-FIR-LARCH

03
S-101



2X6 DOUGLAS-FIR-LARCH
2X4 DOUGLAS-FIR-LARCH