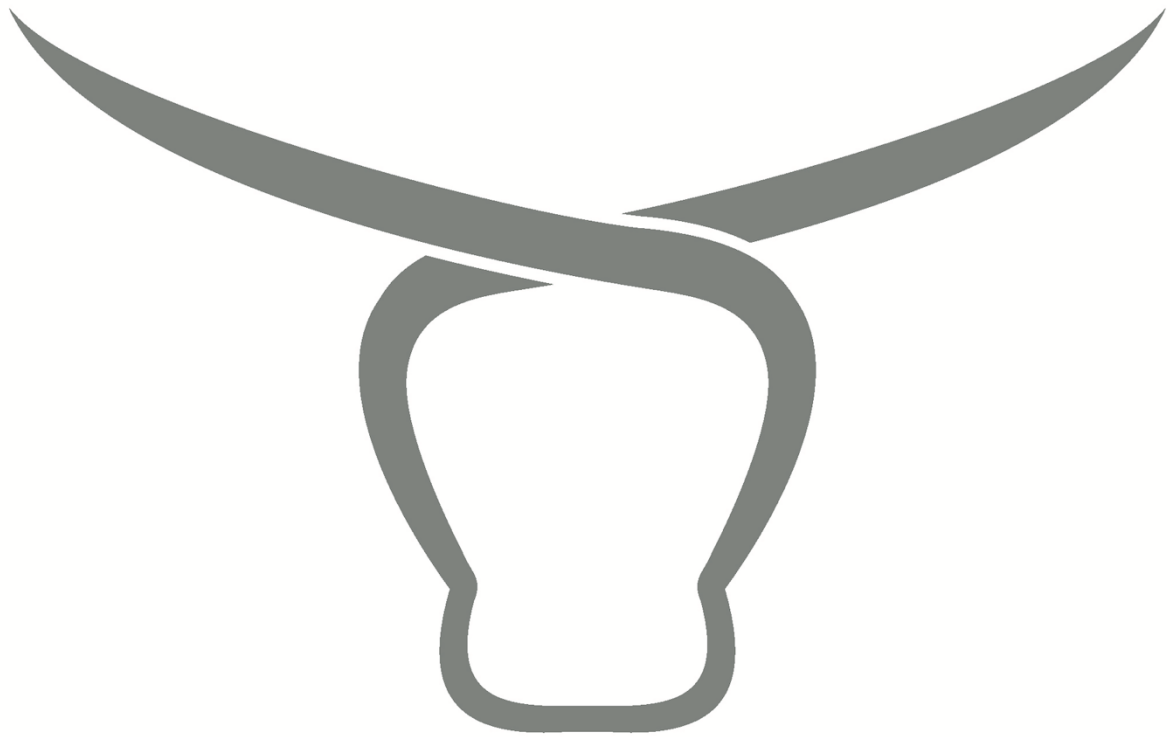


# Livestock Scales

## Aluminium, Steel and Timber Platform Construction Guide



## Aluminium Platform

This is our recommended platform construction as the total weight of the platform is less than 35kg for 2000mm x 700mm.

An Aluminium platform can be quickly built by your local fabrication / engineering company with the following guidance :

Aluminium materials required:

50 x 50 x 5mm Angle (platform sides)

50mm RHS (centre rib support),

6mm aluminium tread plate

4 x 15mm x 200mm x 60mm plates for the load cells (drilled and tapped)

Take the measurements for the platform size you need along with the images below and a local welder will be able to build you a light weight, low profile super strong Aluminium platform in no time.

This is the recommended construction as the platform is lightweight and can support the max weight requirements for general livestock weighing.

Lightweight, Low Profile, Heavy Duty - Aluminium Platform



50mm Angle, 50mm RHS, 15mm Plate with 6mm Tread Plate  
Less than 35 kg total weight

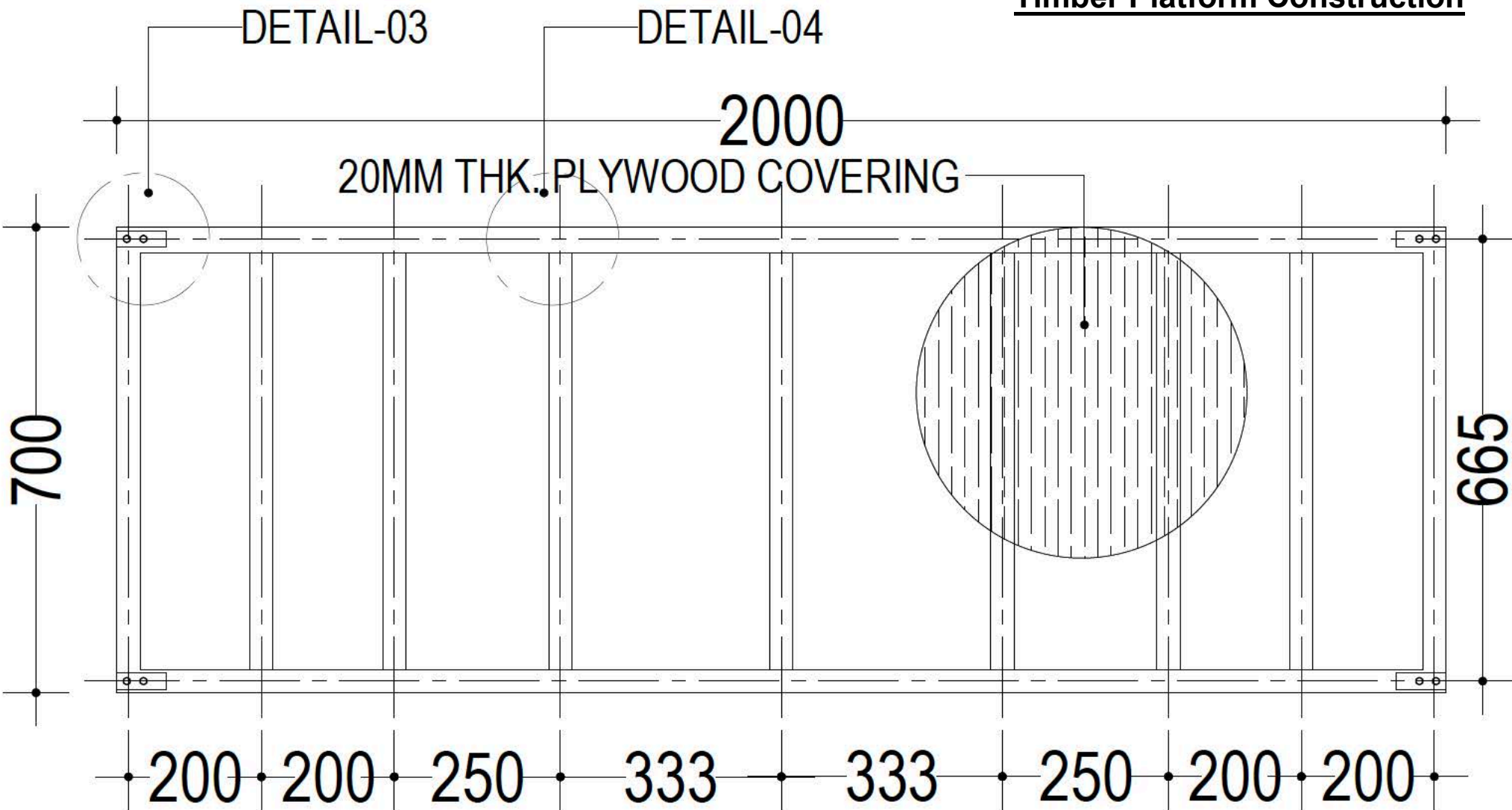
# Aluminium Platform Design and Construction







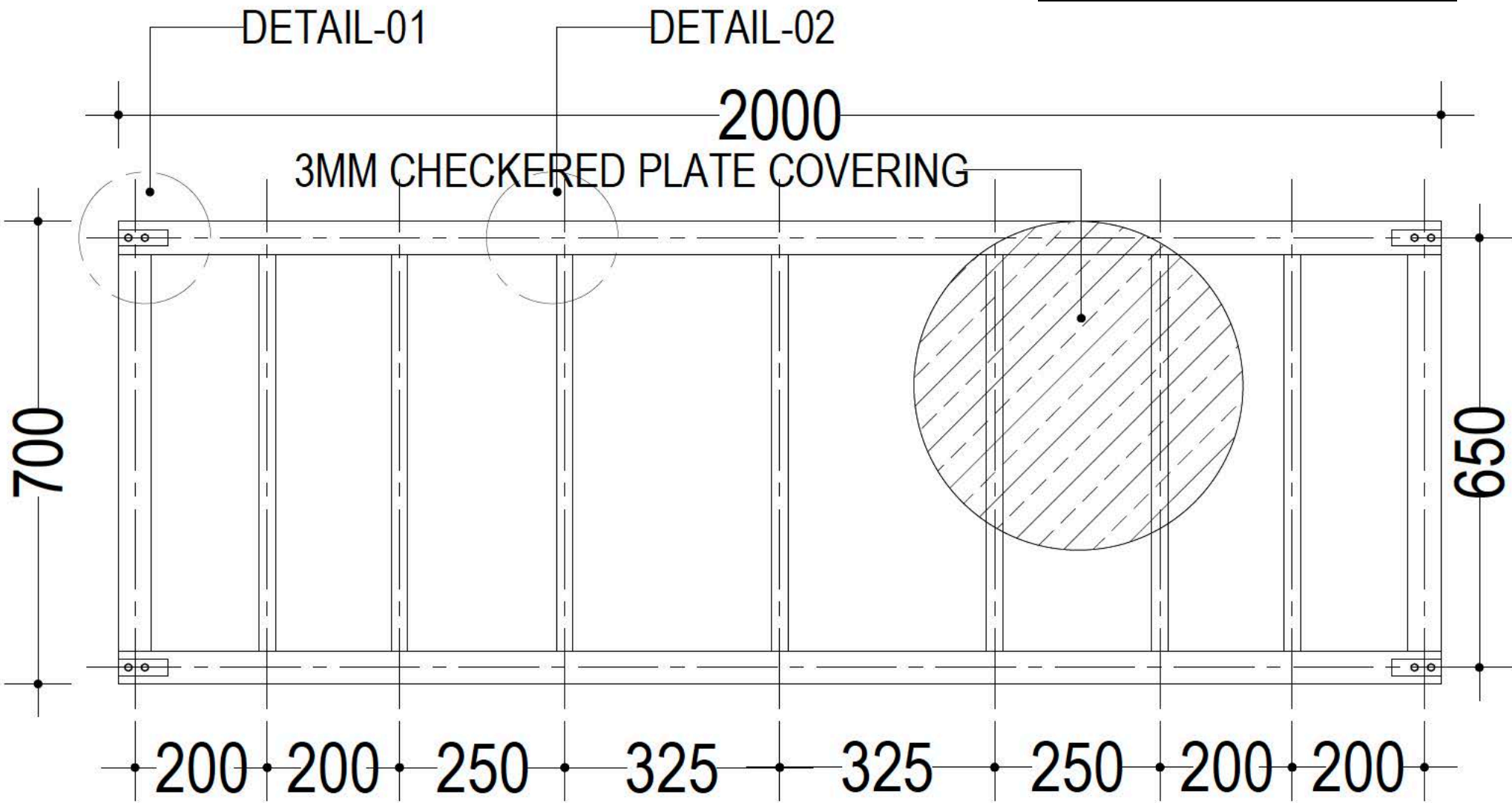
Timber Platform Construction



- NOTE:
- A) ALL PERIPHERAL SAWN LUMBERS ARE 2"X6"
  - B) ALL INTERMEDIATE SAWN LUMBERS ARE 2"X4"
  - C) ALL SAWN LUMBER & PLYWOOD GRADE IS 'F8'

02 TOP VIEW OF TIMBER PLATFORM  
SCALE: NTS

Steel Platform Construction



NOTE:

- A) ALL PERIPHERAL STEEL MEMBERS ARE 'RHS 50X75X3MM'
- B) ALL INTERMEDIATE STEEL MEMBERS ARE 'RHS 25X75'
- C) ALL STEEL GRADE IS 'C250'

01

TOP VIEW OF STEEL PLATFORM

SCALE: NTS