

Product Fact Sheet

# Herman Collection US



ferm  
L I V I N G





# Herman Dining Chair - Wooden Frame

Design by Herman Studio

## Product details

Manufactured in Latvia  
Registered design

## Dimensions

Total height: 75.5cm / 29.7in  
Width: 47.5cm / 18.7in  
Depth: 46cm / 18.1in  
Seat height: 45cm / 17.7in  
Weight: 4.0 kg (oak/ash veneer)  
4.2 kg (seat only upholstered)  
4.5 kg (fully upholstered)

## Materials and construction

Backrest/seat: Natural oak or painted ash veneer  
Upholstered seat/back: Birch veneer upholstered with fabric or leather  
Frame: Natural solid oak or painted solid ash  
Glides: Plastic or felt glides  
FSC™ Mix certified wood

## Care

Please see fermiving.com for care and maintenance instructions

## Packsize

2

## Attention

This seating is tested to meet relevant strength and durability standards.  
Tests are based on a person's weight of 110 kg

## Test

EN 16139:2013  
Furniture - Strength, durability, stability and safety  
Requirements for non-domestic seating

## Foam fire rating:

CAL117-2013 - pass  
BS 5852 Crib5: on request

## Stock Versions



## Customisation Options

### Frame and backrest options



### Leather qualities (seat only or fully upholstered)



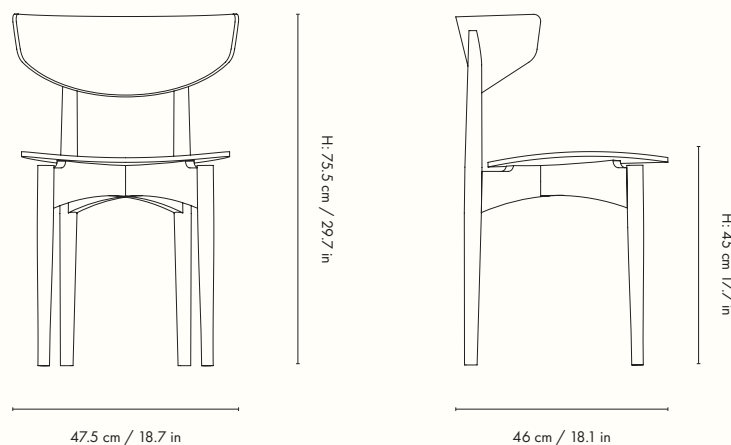
### Fabric qualities (seat only or fully upholstered)



To see the specifications of each fabric and available colour assortment please go to the fabric and leather overview. Felt Gliders must be ordered separately against price supplement.  
For fully upholstered version the seat and backrest must have same fabric and leather qualities.



## Measurements





# Herman Dining Chair - Steel Frame

Design by Herman Studio

## Product details

Manufactured in Latvia  
Registered design

## Dimensions

Height: 75 cm / 29.5 in  
Width: 47 cm / 18.5 in  
Depth: 46 cm / 18.1 in  
Seat height: 45 cm / 17.7 in  
Weight: 4.8 kg (oak/ash veneer)  
5 kg (with upholstery)

## Materials and construction

Backrest/seat: White oiled oak, dark stained oak, walnut or painted ash veneer  
Upholstered seat: Birch veneer upholstered with fabric or leather  
Frame: Black powder coated steel  
Glides: Plastic or felt glides  
FSC™ Mix certified wood

## Care

Please see fermiving.com for care and maintenance instructions

## Packsize

2

## Attention

Maximum amount of dining chairs to be stacked (metal frame only): 10.  
This seating is tested to meet relevant strength and durability standards.  
Tests are based on a person's weight of 110 kg

## Test

EN 16139:2013

Furniture - Strength, durability, stability and safety  
Requirements for non-domestic seating

## Foam fire rating:

CAL117-2013 - pass  
BS 5852 Crib5: on request



## Stock Versions



9401  
Black



100006306  
Red Brown



100006210  
White Oiled  
Oak



100006114  
Dark Stained  
Oak



1104263823  
Walnut

## Customisation Options

### Backrest and seat options



### Leather qualities (seat only)

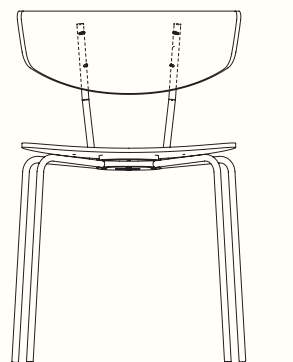


### Fabric qualities (seat only)



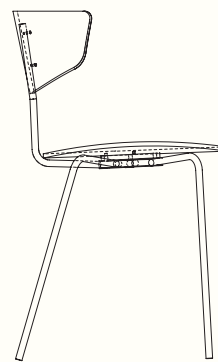
To see the specifications of each fabric and available colour assortment please go to the fabric and leather overview. Felt Gliders must be ordered separately against price supplement

## Measurements



W: 47 cm / 18.5 in

H: 75 cm / 29.5 in



D: 46 cm / 18.1 in

H: 45 cm / 17.7 in



# Herman Stool

Design by Herman Studio

## Product details

Manufactured in Latvia

## Dimensions

Height: 45 cm / 16.9 in  
 Width: 35.5 cm / 13.9 in  
 Depth: 30.5 cm / 12 in  
 Seat height: 45 cm / 17.7 in  
 Weight: 2.9 kg (oak/ash veneer)  
 3 kg (with upholstery)

## Materials and construction

Seat: White oiled oak or painted ash veneer  
 Upholstered seat: Birch veneer upholstered with fabric or leather  
 Frame: Black powder coated steel  
 Glides: Plastic or felt glides  
 FSC™ Mix certified wood

## Care

Please see fermiving.com for care and maintenance instructions

## Packsize

2

## Attention

This seating is tested to meet relevant strength and durability standards.  
 Tests are based on a person's weight of 110 kg

## Test

EN 16139:2013  
 Furniture - Strength, durability, stability and safety  
 Requirements for non-domestic seating

## Foam fire rating:

CAL117-2013 - pass  
 BS 5852 Crib5: on request



## Stock Versions



## Customisation Options

### Seat options



### Leather qualities

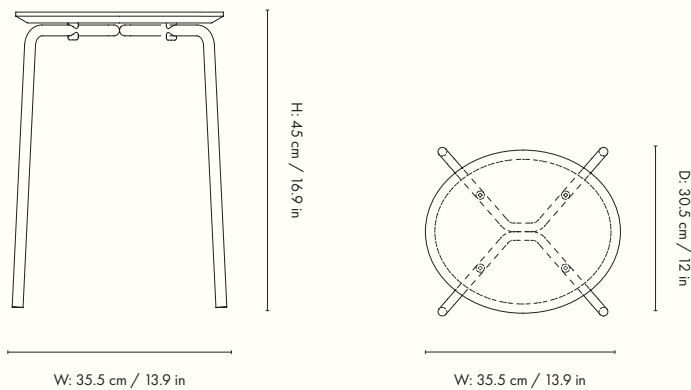


### Fabric qualities



To see the specifications of each fabric and available colour assortment please go to the fabric and leather overview. Felt Gliders must be ordered separately against price supplement

## Measurements





# Herman Counter Chair

Design by Herman Studio

## Product details

Manufactured in Latvia  
Registered design

## Dimensions

Height: 87 cm / 34.3 in  
Width: 39.6 cm / 15.5 in  
Depth: 39.4 cm / 15.5 in  
Seat height: 64 cm / 25 in  
Weight: 4.9 kg (ash veneer)  
5.1 kg (with upholstery)

## Materials and construction

Backrest/seat: White oiled oak or painted ash veneer  
Upholstered seat: Birch veneer upholstered with fabric or leather  
Frame: Black powder coated steel  
Glides: Plastic or felt glide  
FSC™ Mix certified wood

## Care

Please see fermiving.com for care and maintenance instructions

## Packsize

1

## Attention

This seating is tested to meet relevant strength and durability standards.  
Tests are based on a person's weight of 110 kg

## Test

EN 16139:2013  
Furniture - Strength, durability, stability and safety  
Requirements for non-domestic seating

## Foam fire rating:

CAL117-2013 - pass  
BS 5852 Crib5: on request



## Stock Versions



9420  
Black



1104265494  
White Oiled Oak

## Customisation Options

### Backrest and seat options



### Leather qualities (seat only)

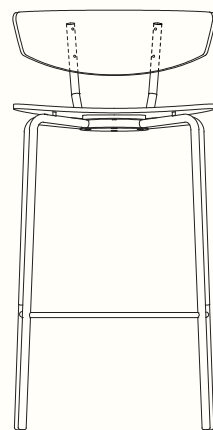


### Fabric qualities (seat only)



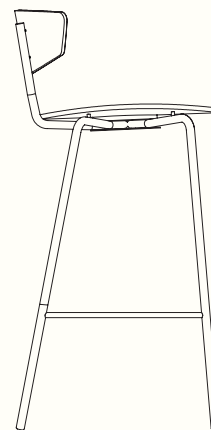
To see the specifications of each fabric and available colour assortment please go to the fabric and leather overview. Felt Gliders must be ordered separately against price supplement

## Measurements



W: 39.5 cm / 15.6 in

H: 87 cm / 34.3 in



D: 39.5 cm / 15.6 in

H: 64 cm / 25.2 in



# Herman Bar Chair

Design by Herman Studio

## Product details

Manufactured in Latvia  
Registered design

## Dimensions

Height: 96 cm / 37.8 in  
Width: 40.5 cm / 15.7 in  
Depth: 43 cm / 16.9 in  
Seat height: 76 cm / 29.9 in  
Weight: 5.3 kg (ash veneer)  
5.1 kg (with upholstery)

## Materials and construction

Backrest/seat: White oiled oak or painted ash veneer  
Upholstered seat: Birch veneer upholstered with fabric or leather  
Frame: Black powder coated steel  
Glides: Plastic or felt glide  
FSC™ Mix certified wood

## Care

Please see fermiving.com for care and maintenance instructions

## Packsize

1

## Attention

This seating is tested to meet relevant strength and durability standards.  
Tests are based on a person's weight of 110 kg

## Test

EN 16139:2013  
Furniture - Strength, durability, stability and safety  
Requirements for non-domestic seating

## Foam fire rating:

CAL117-2013 - pass  
BS 5852 Crib5: on request



## Stock Versions



9421  
Black



1104265495  
White Oiled Oak

## Customisation Options

### Backrest and seat options



### Leather qualities (seat only)

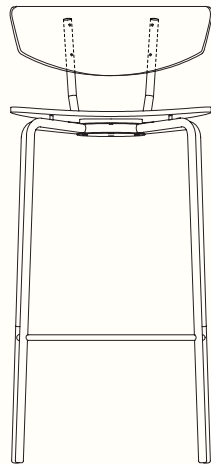


### Fabric qualities (seat only)



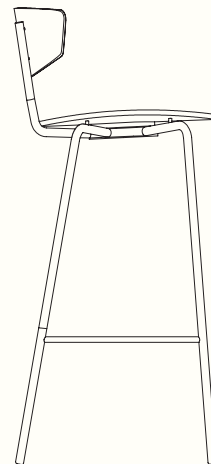
To see the specifications of each fabric and available colour assortment please go to the fabric and leather overview. Felt Gliders must be ordered separately against price supplement

## Measurements



W: 40.5 cm / 15.9 in

H: 95.9 cm / 29.1 in



D: 42.8 cm / 16.9 in

H: 76.2 cm / 30 in



# Herman Lounge Chair

Design by Herman Studio

## Product details

Manufactured in Latvia  
Registered design

## Dimensions

Height: 68 cm / 26.8 in  
Width: 68 cm / 26.8 in  
Depth: 60 cm / 23.6 in  
Seat height: 37 cm / 14.6 in  
Weight: 6.9 kg (ash veneer)  
7.3 kg (with upholstery)

## Materials and construction

Backrest/seat: Painted ash veneer  
Upholstered seat: Birch veneer upholstered with fabric or leather  
Frame: Black powder coated steel  
Glides: Plastic or felt glide  
FSC™ Mix certified wood

## Care

Please see fermiving.com for care and maintenance instructions

## Packsize

1

## Attention

This seating is tested to meet relevant strength and durability standards.  
Tests are based on a person's weight of 110 kg

## Test

EN 16139:2013  
Furniture - Strength, durability, stability and safety  
Requirements for non-domestic seating

## Foam fire rating:

CAL117-2013 - pass  
BS 5852 Crib5: on request

## Stock Versions



9404  
Black

## Customisation Options

### Backrest and seat options



Black

### Leather qualities (seat only)



Leather  
Envy



Leather  
- Ultra

### Fabric qualities (seat only)



Brushed



Bouclé



Tonus  
4



Steelcut  
Trio 3



Hallingdal  
65



Fiord  
2



Pasadena



Cyber



Grain



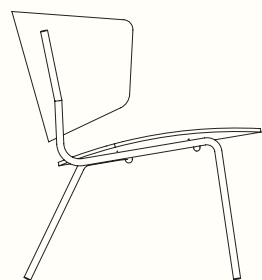
Louisiana

To see the specifications of each fabric and available colour assortment please go to the fabric and leather overview. Felt Gliders must be ordered separately against price supplement



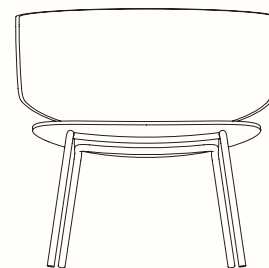
The mark of  
responsible forestry

## Measurements



H: 37 cm / 14.6 in

D: 60 cm / 23.6 in



H: 68 cm / 26.8 in

W: 68 cm / 26.8 in





# Herman Lounge Chair - Wooden Frame

Design by Herman Studio

## Product details

Manufactured in Latvia  
Registered design

## Dimensions

Height: 71 cm / 28 in  
Width: 72.5 cm / 28.5 in  
Depth: 64.5 cm / 25.4 in  
Seat height: 43 cm / 16.9 in  
Weight: 6.9 kg (ash veneer)  
7.3 kg (with upholstery)

## Materials and construction

Backrest/seat: Birch veneer upholstered with fabric or leather  
Frame: Natural solid oak or painted solid ash  
Glides: Plastic or felt glides  
FSC™ Mix certified wood

## Care

Please see fermiving.com for care and maintenance instructions

## Packsize

1

## Attention

This seating is tested to meet relevant strength and durability standards.  
Tests are based on a person's weight of 110 kg

## Test

EN 16139:2013  
Furniture - Strength, durability, stability and safety  
Requirements for non-domestic seating

## Foam fire rating:

CAL117-2013 - pass  
BS 5852 Crib5: on request



1104265573  
Natural Oak



1104265806  
Black

## Customisation Options

### Frame option



Natural Oak    Black

### Leather qualities



Leather Envy    Leather - Ultra

### Fabric qualities



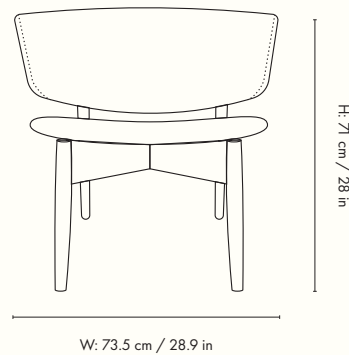
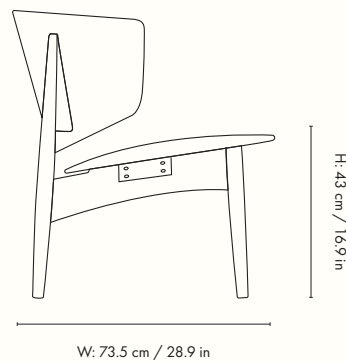
Brushed    Bouclé    Tonus 4    Steelcut Trio 3    Hallingdal 65  
Fiord 2    Pasadena    Cyber    Grain    Louisiana

To see the specifications of each fabric and available colour assortment please go to the fabric and leather overview. Felt Gliders must be ordered seperately against price supplement



The mark of responsible forestry

## Measurements



## Fabric and Leather Options

Herman Collection

### Price Group 1

Brushed •

### Price Group 2

Faded Velvet

Hot Madison

Cyber •

Grain •

### Price Group 3

Pasadena •

Louisiana •

Focus

Bouclé •

Check

### Price Group 4

Leather – Ultra •

Tonus 4 •

Steelcut Trio 3 •

Confetti Bouclé

Rich Linen

Wool Bouclé

### Price Group 5

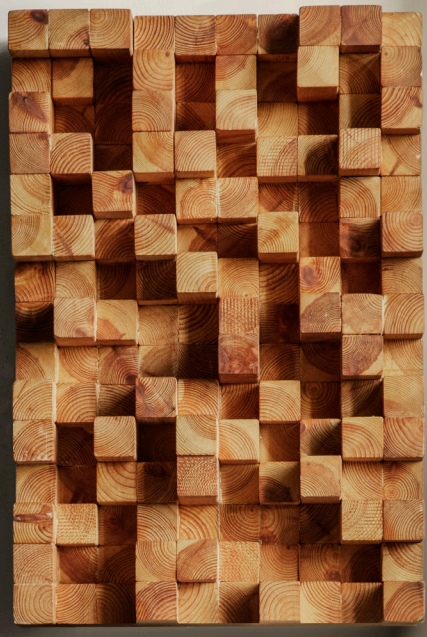
Hallingdal 65 •

Fiord 2 •

### Price Group 6

Leather - Envy •

Separate overview available for UK and RoW



Space to feel comfortably you