



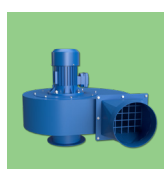
2022

devices, components, accessories

LOCAL AIR POLLUTION CAPTURE



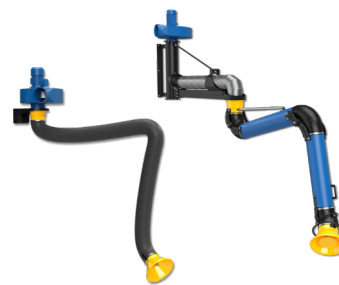
menegon
www.menegon.com.pl



1. WELDING SMOKE EXTRACTION

03

UZO Oskar Classic 1000 2-4 m
UZO Oskar Classic 1000 5-9 m
UZO Oskar Classic 2000 2-4 m
UZO Oskar Classic 2000 5-9 m
UZE Econ 1000 2-5 m



2. WELDING SMOKE MOBILE FILTERS

09

Rollout Mobile Cartridge Filter
Giant 2 Mobile Cartridge Filter
Crawlair
Boxair BXWM4
Boxair Basic



3. FPM MODULAR FILTER SYSTEM

15



4. WORK STATIONS WITH EXTRACTION

18

S-1000 Welding Table
SF-1000 Welding Table
Grinder Work Station GD/GM 1500



5. OSKAR CLASSIC SELF-SUPPORTING FUME EXTRACTION ARMS

22

Oskar Classic 75-100
Oskar Classic 125
Oskar Classic 160
Tele-Oskar 160
Oskar Classic 200
Econ 160



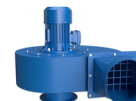
6. EXTENSION BOOMS

37



7. ZWR EXTRACTION FANS

39



8. SLIDING SUCTION RAILS

40



9. STAINLESS LOCAL AIR POLLUTION CAPTURE PRODUCTS

42

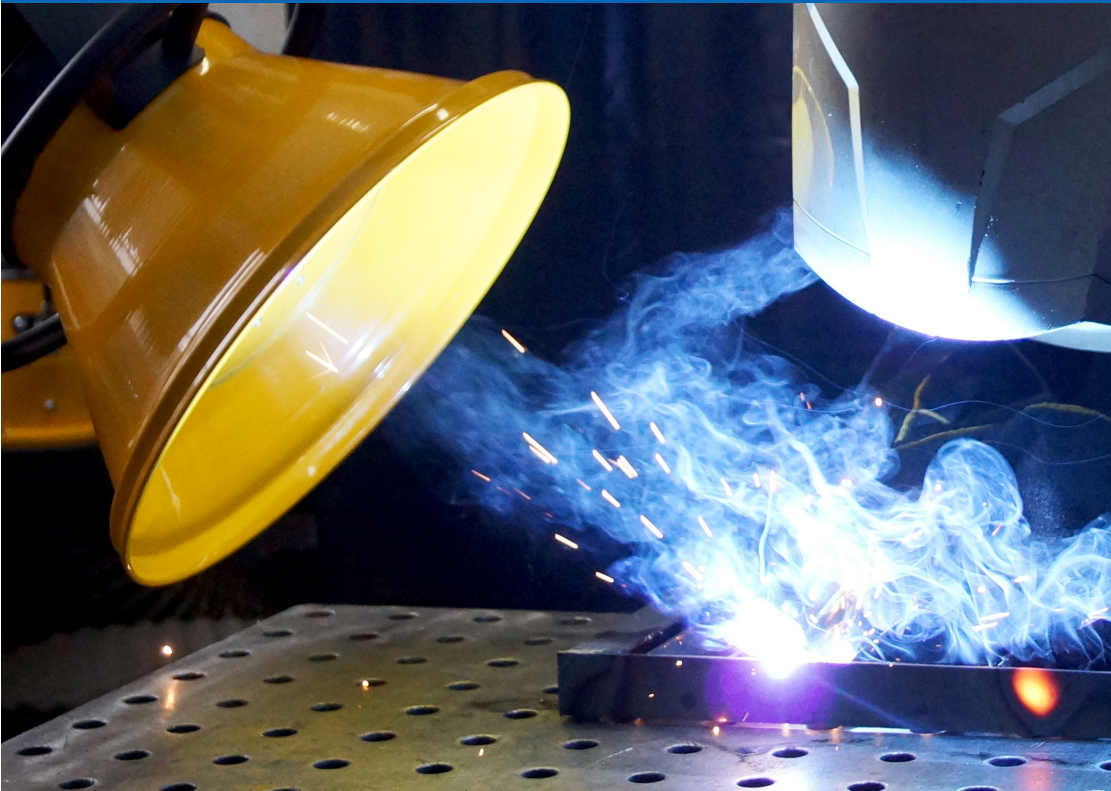
Oskar Stainless Steel SS 075-100
Oskar Stainless Steel 125-200
Oskar Stainless Steel FS 075-100
Oskar Stainless Steel FS 125-200
Stainlair M1000 Stainless Mobile Filter
Stainlair M2002 Stainless Mobile Filter



Welding Smoke Extraction

The cheapest, simplest and the most effective solution for welding smoke capture are fume extraction arms. Our offer of welding extraction comprises of sets made up of extraction arms with wall brackets or booms, and extraction fans for transporting the welding smoke out of the work station. Depending on the application and user-specific requirements, the welding smoke extraction systems are available with Oskar arms or economical, flexible hose Econ arms.

**INDUSTRY STANDARD
PROFESSIONAL SOLUTIONS**



UZO OSKAR CLASSIC 1000 2-4 m



The Universal Extraction Unit is used for regular welding work requiring constant extraction. For mild and chemically non-aggressive air pollutants.

APPLICATION	DESIGN	FEATURES
regular welding work extraction of mild and chemically non-aggressive air pollutants	extraction arm Oskar Classic 160 WM swing boom ZWR-03 extraction fan motor switch with protection	universal build smooth and easy to maintain pipe interior all joints on the outside low air flow resistance

UZO OSKAR 1000, reach 2-4 m

hanging model	reach	swing axes	bracket	extraction arm	fan	index
UZO16020	2 m	1	WS-160	OC-1620	ZWR-03	100552
UZO16030	3 m	1	WS-160	OC-1630	ZWR-03	100553
UZO16040	4 m	1	WS-160	OC-1640	ZWR-03	100554
	air flow	power supply	power	motor switch	noise level at 1 m	
	1000 m³/h	3 x 400 / 50 Hz	0,75 kW	ZAR-WS 01,6-2,5 A	77 dB(A)	

Standard delivery includes Oskar extraction arm, bracket, extraction fan, wall switch with protection.
Extraction arm options: L, W, A, G, 500 – more details in parts, options, automatics.

UZO OSKAR CLASSIC 1000 5-9 m



The Universal Extraction Unit is used for regular welding work requiring constant extraction. For extraction of mild and chemically non-aggressive air pollutants.

APPLICATION	DESIGN	FEATURES
regular welding work extraction of mild and chemically non-aggressive air pollutants	extraction arm Oskar Classic 160 WM swing boom ZWR-03 extraction fan motor switch with protection	universal build smooth and easy to maintain pipe interior all joints on the outside low air flow resistance

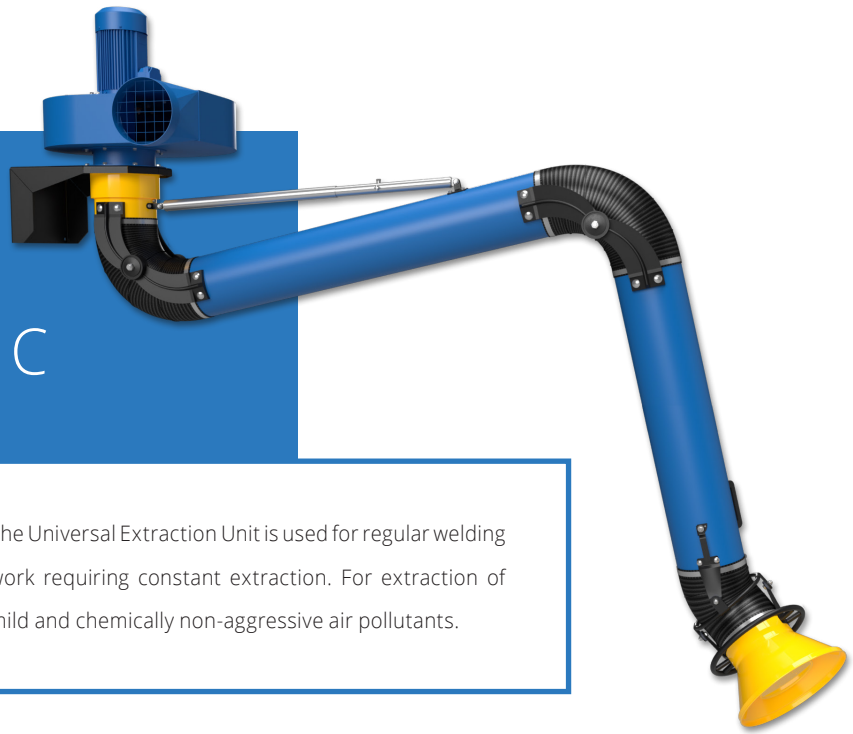
UZO OSKAR 1000, reach 5-9 m

hanging model	reach	swing axes	bracket	extraction arm	fan	index
UZO16050	5 (2+3) m	2	WM1-20160	OC-1630	ZWR-03	100555
UZO16060	6 (3+3) m	2	WM1-30160	OC-1630	ZWR-03	100556
UZO16070	7 (2+2+3) m	3	WM2-22160	OC-1630	ZWR-03	100557
UZO16080	8 (3+2+3) m	3	WM2-32160	OC-1630	ZWR-03	100558
UZO16090	9 (4+2+3) m	3	WM2-42160	OC-1630	ZWR-03	100559

air flow	power supply	power	motor switch	noise level at 1 m
1000 m ³ /h	3 x 400 / 50 Hz	0,75 kW	ZAR-WS 01,6-2,5 A	77 dB(A)

Standard delivery includes Oskar extraction arm, swing boom, extraction fan, wall switch with protection. For connection to robust ventilation system, there is also an extraction unit with bigger fan available.
Extraction arm options: L, W, A, G, 500 – more details in parts, options, automatics.

UZO OSKAR CLASSIC 2000 2-4 m



The Universal Extraction Unit is used for regular welding work requiring constant extraction. For extraction of mild and chemically non-aggressive air pollutants.

APPLICATION	DESIGN	FEATURES
regular welding work extraction of mild and chemically non-aggressive air pollutants	Oskar Classic 200 extraction arm WS wall bracket ZWR-05 extraction fan motor switch with protection	universal build smooth and easy to maintain pipe interior all joints on the outside low air flow resistance

UZO OSKAR 2000, reach 2-4 m

hanging model	reach	swing axes	bracket	extraction arm	fan	index
UZO20020	2 m	1	WS-200	OC-2020	ZWR-05	103100
UZO20030	3 m	1	WS-200	OC-2030	ZWR-05	103101
UZO20040	4 m	1	WS-200	OC-2040	ZWR-05	103102
	air flow	power supply	power	motor switch	noise level at 1 m	
	2000 m³/h	3 x 400 / 50 Hz	2,2 kW	ZAR-WS 04-6,3 A	80 dB(A)	

Standard delivery includes Oskar extraction arm, bracket, extraction fan, wall switch with protection.
Extraction arm options: L, W, A, G, 500 - more details in parts, options, automatics.

UZO OSKAR CLASSIC 2000 5-9 m

The Universal Extraction Unit is used for regular welding work requiring constant extraction. For extraction of mild and chemically non-aggressive air pollutants.



APPLICATION	DESIGN	FEATURES
regular welding work extraction of mild and chemically non-aggressive air pollutants	Oskar Classic 200 extraction arm WS wall bracket ZWR-05 extraction fan motor switch with protection	universal build smooth and easy to maintain pipe interior all joints on the outside low air flow resistance

UZO OSKAR 2000, reach 5-9 m

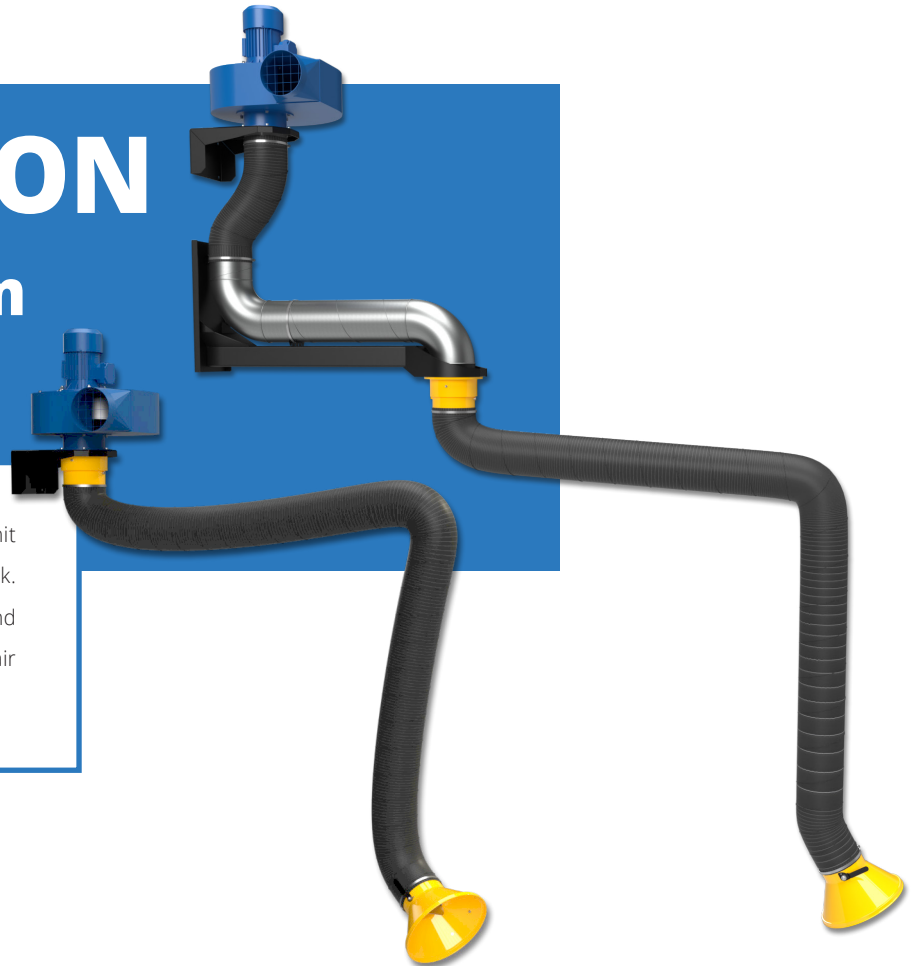
hanging model	reach	swing axes	bracket	extraction arm	fan	index
UZO20050	5 (2+3) m	2	WM1-20200	OC-2030	ZWR-05	103103
UZO20060	6 (3+3) m	2	WM1-30200	OC-2030	ZWR-05	103104
UZO20070	7 (2+2+3) m	3	WM2-22200	OC-2030	ZWR-05	103105
UZO20080	8 (3+2+3) m	3	WM2-32200	OC-2030	ZWR-05	103106
UZO20090	9 (4+2+3) m	3	WM2-42200	OC-2030	ZWR-05	103107
	air flow	power supply	power	motor switch	noise level at 1 m	
	2000 m³/h	3 x 400 / 50 Hz	2,2 kW	ZAR-WS 04-6,3 A	80 dB(A)	

Standard delivery includes Oskar extraction arm, swing boom, extraction fan, wall switch with protection.
Extraction arm options: L, W, A, G, 500 – more details in parts, options, automatics.

UZE ECON

1000 2-5 m

A cost effective extraction unit for occasional welding work. For extraction of mild and chemically non-aggressive air pollutants.



APPLICATION	DESIGN	FEATURES
occasional welding work extraction of mild and chemically non-aggressive air pollutants	Econ 160 extraction arm WS wall bracket (UZE 2 m & 3 m) W0 non-swing boom (UZE 4 m & 5 m) ZWR-03 extraction fan motor switch with protection damped suction hood	lightweight build internal support structure easy & stable manoeuvring

UZE ECON 1000, reach 2-5 m

hanging model	reach	swing axes	bracket / boom	extraction arm	fan	index
UZE16020	2 m	1	WS-160	EC-1620	ZWR-03	103992
UZE16030	3 m	1	WS-160	EC-1630	ZWR-03	103993
UZE16040	4 (1+3) m	1	W0-10160	EC-1630	ZWR-03	103994
UZE16050	5 (2+3) m	1	W0-20160	EC-1630	ZWR-03	103995
		air flow	power supply	power	motor switch	noise level at 1 m
		1000 m³/h	3 x 400 / 50 Hz	0,75 kW	ZAR-WS 01,6-2,5 A	77 dB(A)

Standard delivery includes Econ extraction arm, bracket/ swing boom, extraction fan, wall switch with protection.

Welding Smoke Mobile Filters

For welding workshops we have created mobile solutions for harmful dust, smoke and fumes removal. The most efficient welding smoke capture and removal method is using capture and extraction units at the place of their origin.

Mobile units are made for occasional and continuous work. Welding extraction units with filters are available in various filter media configurations: replacement filters and cartridges with regeneration systems enabling clean up during device operation.

INDUSTRY STANDARD TRADE SOLUTIONS





ROLLOUT

Welding extraction units with cartridge regeneration system are made for work requiring continuous extraction. Rollout is a perfect device for welding work and filtration of dry pollutants.

APPLICATION	DESIGN	FEATURES
local air pollution capture* professional use dry, airborne dust extraction repair work stations	welded steel housing with powder coating three-stage filtration main cartridge regeneration system** Oskar extraction arm included	full mobility rigid suction hood positioning ergonomic suction hood shape easy cartridge handling features filter cleaning control button

ROLLOUT

model	arm	arm reach	nominal air flow	power supply	motor power	noise level at 1 m	index
ROLLOUT	OC-1620P	2 m	1000 m ³ /h	3 x 400 / 50 Hz	1,1 kW	72 dB(A)	103802-000P
ROLLOUT	OC-1630P	3 m	1000 m ³ /h	3 x 400 / 50 Hz	1,1 kW	72 dB(A)	103803-000P

model	dimensions w/o extraction arm (width x depth x height***)
ROLLOUT	908 x 744 x 1424 mm

FILTER CARTRIDGES

cartridge type	filter type	filter class	index
PRE-FILTER	metal	coarse 30% (G2)	240007
MAIN FILTER	cartridge	99% efficiency for particles ≥ 0.5 µm	242080
OUTLET FILTER	activated carbon coated fabric	Coarse 70% (G4)	240672

* excluding corrosive and chemically aggressive fumes or gases. In order to select the best configuration for your application, please contact our representative.

** requires connection to compressed air system (5–5,5 bar)

*** height may vary depending on the motor manufacturer



GIANT 2

Welding extraction units with cartridge regeneration system are made for work requiring continuous extraction. Giant 2 is a unit with twice the performance, able to handle two welding work stations, or one heavy welding or cutting work station.

APPLICATION	DESIGN	FEATURES
local air pollution capture* professional use dry, airborne dust extraction repair work stations	local air pollution capture* professional use dry, airborne dust extraction repair work stations	full mobility rigid suction hood positioning ergonomic suction hood shape easy cartridge handling features filter cleaning control button

GIANT 2

model	arm	arm reach	nominal air flow	power supply	motor power	noise level at 1 m	index
GIANT 2	OC-2020P	2 m	2000 m ³ /h	3 x 400 / 50 Hz	2,2 kW	75 dB(A)	104010-000C
GIANT 2	OC-2030P	3 m	2000 m ³ /h	3 x 400 / 50 Hz	2,2 kW	75 dB(A)	104011-000C
GIANT 2	2 x OC-1620P	2 m	2000 m ³ /h	3 x 400 / 50 Hz	2,2 kW	75 dB(A)	104012-000C
GIANT 2	2 x OC-1630P	3 m	2000 m ³ /h	3 x 400 / 50 Hz	2,2 kW	75 dB(A)	104013-000C

model	dimensions w/o extraction arm (width x depth x height***)
GIANT 2	1377 x 862 x 1188 mm

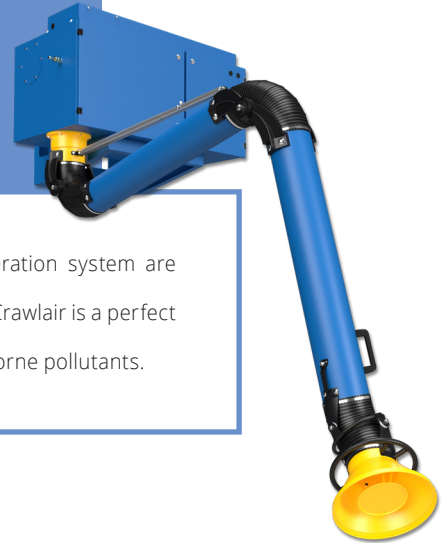
FILTER CARTRIDGES

cartridge type	filter type	filter class	index
PRE-FILTER	metal	Coarse 30% (G2)	240007
MAIN FILTER	cartridge	99% efficiency for particles ≥ 0.5 μm	242080
OUTLET FILTER	activated carbon coated fabric	Coarse 70% (G4)	240672

* excluding corrosive and chemically aggressive fumes or gases. In order to select the best configuration for your application, please contact our representative.
 ** requires connection to compressed air system (5-5.5 bar)

CRAWLAIR

MOBILE & HANGING



Welding extraction units with cartridge regeneration system are made for work requiring continuous extraction. Crawlair is a perfect device for welding work and filtration of dry, airborne pollutants.

APPLICATION	DESIGN	FEATURES
local air pollution capture* professional use dry, airborne dust extraction repair work stations	welded steel housing with powder coating two-stage filtration main cartridge regeneration system** Oskar extraction arm included	full mobility of M model rigid suction hood positioning ergonomic suction hood shape easy cartridge handling features filter cleaning control button

CRAWLAIR

model	ramię	arm reach	max air flow	power supply	motor power	noise level at 1 m	index
M1000	OC-1620P	2 m	1000 m³/h	3 x 400 / 50 Hz	1,1 kW	73 dB(A)	103826-000C
M1000	OC-1630P	3 m	1000 m³/h	3 x 400 / 50 Hz	1,1 kW	73 dB(A)	103901-000C
O1000	OC-1620	2 m	1000 m³/h	3 x 400 / 50 Hz	1,1 kW	73 dB(A)	103895-000C
O1000	OC-1630	3 m	1000 m³/h	3 x 400 / 50 Hz	1,1 kW	73 dB(A)	100603-000C

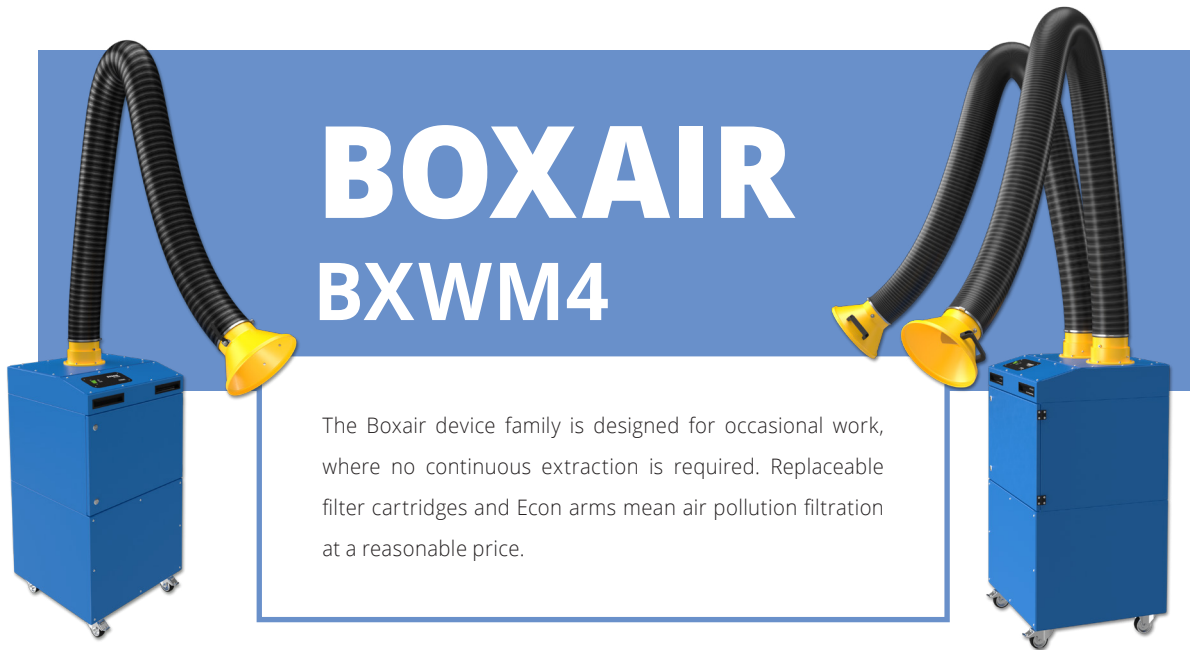
model	dimensions w/o extraction arm (width x depth x height)
M1000	1231 x 607 x 791 mm
O1000	1211 x 800 x 772 mm

FILTER CARTRIDGES

cartridge type	filter type	filter class	index
PRE-FILTER	metal	Coarse 30% (G2)	240007
MAIN FILTER	cartridge	dust class M	243855

* excluding corrosive and chemically aggressive fumes or gases. In order to select the best configuration for your application, please contact our representative.

** requires connection to compressed air system (5–5.5 bar)



BOXAIR BXWM4

The Boxair device family is designed for occasional work, where no continuous extraction is required. Replaceable filter cartridges and Econ arms mean air pollution filtration at a reasonable price.

APPLICATION	DESIGN	FEATURES
local air pollution capture* occasional welding work dry, airborne dust extraction repair work stations	welded steel housing with powder coating two-stage filtration filter soil indicator Econ tube arms included	full mobility rigid suction hood positioning ergonomic suction hood shape easy cartridge handling

BOXAIR

model	arm	arm reach	max air flow	power supply	motor power	noise level at 1 m	index
BXWM4-Z041	EC-1620P	2 m	1400 m ³ /h	1 x 230 / 50 Hz	1,1 kW	74 dB(A)	105085-0011
BXWM4-Z041	EC-1630P	3 m	1400 m ³ /h	1 x 230 / 50 Hz	1,1 kW	74 dB(A)	105085-0012
BXWM4-Z042	2 x EC-1620P	2 m	2 x 850 m ³ /h	1 x 230 / 50 Hz	1,1 kW	74 dB(A)	105085-0031
BXWM4-Z042	2 x EC-1630P	3 m	2 x 850 m ³ /h	1 x 230 / 50 Hz	1,1 kW	74 dB(A)	105085-0032

model

dimensions w/o extraction arm (width x depth x height)

Z041 / Z042

650 x 710 x 1250 mm

FILTER CARTRIDGES

cartridge type	filter type	filter class	index
PRE-FILTER	metal	Coarse 30% (G2)	242207
MAIN FILTER	compact	ePM1 80% (F9)	242858

* excluding corrosive and chemically aggressive fumes or gases. In order to select the best configuration for your application, please contact our representative.



BOXAIR BASIC

The Boxair device family is designed for occasional work, where no continuous extraction is required. Replaceable filter cartridges and Econ arms mean air pollution filtration at a reasonable price. Boxair Basic is great for non- and semi-professional work.

APPLICATION	DESIGN	FEATURES
local air pollution capture* occasional welding work dry, airborne dust extraction repair work stations	welded steel housing with powder coating three-stage filtration filter soil indicator hours of operation counter Econ tube arm included	full mobility rigid suction hood positioning ergonomic suction hood shape easy cartridge handling

BOXAIR

model	arm	arm reach	max air flow	power supply	motor power	noise level at 1 m	index
BASIC	EC-1620P	2 m	950 m ³ /h	1 x 230 / 50 Hz	0,75 kW	72 dB(A)	101607
BASIC	EC-1630P	3 m	950 m ³ /h	1 x 230 / 50 Hz	0,75 kW	72 dB(A)	103808

model	dimensions w/o extraction arm (width x depth x height)
BASIC	535 x 585 x 908 mm

FILTER CARTRIDGES

cartridge type	filter type	filter class	index
PRE-FILTER	filter mat	Coarse 40% (G2)	241493
SECONDARY FILTER	panel	Coarse 70% (M5)	241492
MAIN FILTER	compact	ePM1 80% (F9)	241491

* excluding corrosive and chemically aggressive fumes or gases. In order to select the best configuration for your application, please contact our representative

FPM Modular Filter System

Standard build of the FPM modular cartridge filter is designed for cleaning the air of non-explosive and chemically non-aggressive dry dust generated during production processes. The filter consists of the base with a dust collection drawer or drawers, cartridge chambers and compressed air cartridge cleaning chambers.

HIGH EFFICIENCY OF AIR FILTRATION

Modular design of FPM filtration system allows the user to configure the final device version according to the application requirements or delivery method. FPM configurations are completed by cartridges, which appropriate selection ensures proper filtering surface area for the type of pollutant, as well as the amount of extracted air.



FPM-4



FPM-6



FPM-8



APPLICATION

welding smoke extraction
dry, airborne dust extraction
professional use
workshop work stations
repair work stations

DESIGN

steel profile frame
steel sheet plating
powder coating
filter base with dust collection drawers
vertically inserted filter cartridges
fan with inverter
optional winter / summer outlet unit
automatic filter cleaning system*

FEATURES

simple & safe cartridge handling
modular design
wide air flow scope
easy installation

FPM-10



FPM-12



* requires connection to compressed air system (5-5.5 bar)

FPM MODULAR FILTER SYSTEM

Processes	Model	Filtration area [m ²]	Air flow [m ³ /h]	Power* [kW]	No. of cartridges	Index
WELDING local extraction systems	FPMXL04-WSS6000	120	4000 - 6000	5,5	4	104592
	FPMXL04-WSS7500	120	4000 - 7500	7,5	4	103861
	FPMXL06-WSS11000	180	7500 - 11000	11	6	103862
	FPMXL08-WSS15000	240	11000 - 15000	15	8	103863
	FPMXL10-WSS18000	300	15000 - 18000	18,5	10	103864
	FPMXL12-WSS22000	360	18000 - 22000	22	12	103865
WELDING background air purification (e.g. push-pull, exhaust ventilation)	FPMXL04-WSA10000	120	6000 - 10000	11	4	103867
	FPMXL06-WSA14500	180	10000 - 14500	15	6	103868
	FPMXL08-WSA19000	240	14500 - 19000	18,5	8	103869
	FPMXL10-WSA24000	300	19000 - 24000	22	10	103870
	FPMXL12-WSA29000	360	24000 - 29000	30	12	103871
GRINDING	FPMXL04-GDN5000	120	4000 - 5000	7,5	4	103873
	FPMXL06-GDN7500	180	5000 - 7500	7,5	6	103874
	FPMXL08-GDN10000	240	7000 - 10000	11	8	103875
	FPMXL10-GDN12000	300	10000 - 12000	15	10	103876
	FPMXL12-GDN14500	360	12000 - 14500	18,5	12	103877
LASER CUTTING	FPMXL04-LFD3500	120	2000 - 3500	4	4	103879
	FPMXL06-LFD5500	180	3500 - 5500	7,5	6	103880
	FPMXL08-LFD7500	240	5500 - 7500	7,5	8	103881
	FPMXL10-LFD9000	300	7500 - 9000	11	10	103882
	FPMXL12-LFD11000	360	9000 - 11000	11	12	103883
PLASMA CUTTING	FPMXL04-PFD3000	120	2000 - 3000	4	4	103885
	FPMXL06-PFD4500	180	3000 - 5000	7,5	6	103886
	FPMXL08-PFD6000	240	4000 - 6000	7,5	8	103887
	FPMXL10-PFD7500	300	6000 - 7500	7,5	10	103888
	FPMXL12-PFD9000	360	7500 - 9000	11	12	103889

FILTER CARTRIDGES

cartridge type**	filter type	filter class	index
PRE-FILTER (720x440x20 mm)	metal	Coarse 30% (G2)	240313
PRE-FILTER (1020x1020x40 mm)	metal	Coarse 30% (G2)	242073
MAIN XL FILTER	cartridge	99% efficiency for particles ≥ 0,5 µm	240847

DIMENSIONS

model	(width x depth x height)
FPMXL04	1400 x 1168 x 3031 mm
FPMXL06	1952 x 1168 x 3031 mm
FPMXL08	2502 x 1168 x 3031 mm
FPMXL10	3052 x 1168 x 3031 mm
FPMXL12	3602 x 1168 x 3031 mm

Welding and grinding tables meet the principles of ergonomics and work safety conditions. The products are designed for continuous extraction.

We ensure solid work station builds for workshop operations, welding and grinding. The technologies used protect against harmful air pollution by locating the pollutants above the desk surface and within the extraction arm reach.

Work Stations with Extraction

ERGONOMIC & SAFE



Designed for **continuous** extraction



S-1000

Work stations with extraction are made for work requiring continuous extraction. The S-1000 is a perfect device for welding work and extraction of dry air pollutants. Requires connection to the local ventilation system extracting the polluted air outside or to the filter device.

APPLICATION	DESIGN	FEATURES
local air pollution capture* professional use workshop work stations repair work stations	welded steel structure with powder coating grounding wire connectors downdraft within the table surface downdraft damper top extraction with the Oskar arm damper inside the arm Oskar extraction arm included	welded steel structure with powder coating grounding wire connectors downdraft within the table surface downdraft damper top extraction with the Oskar arm damper inside the arm Oskar extraction arm included

S-1000

model	arm	arm reach	nominal air flow	power supply	motor power	noise level at 1 m	index
S-1000	OC-1620P	2 m	1000 m ³ /h	3 x 400 / 50 Hz	0,75 kW	76 dB(A)	103828
model	dimensions w/o extraction arm (width x depth x height)						
S-1000	1250 x 810 x 863 mm						

* excluding corrosive and chemically aggressive fumes or gases. In order to select the best configuration for your application, please contact our representative.



SF-1000

Work stations with extraction and cartridge regeneration system are made for work requiring continuous extraction. The SF-1000 is a perfect device for welding work and filtration of dry air pollutants.

APPLICATION	DESIGN	FEATURES
local air pollution capture* professional use workshop work stations repair work stations	welded steel housing with powder coating grounding wire connectors downdraft within the table surface downdraft damper top extraction with the Oskar arm damper inside the arm Oskar extraction arm included two-stage filtration filter regeneration system**	rigid suction hood positioning ergonomic suction hood shape pollutants location within the arm reach pollutants location above the table surface air flow adjustment between the extraction units easy cartridge handling features filter cleaning control button

SF-1000

model	arm	arm reach	nominal air flow	power supply	motor power	noise level at 1 m	index
SF-1000	OC-1620P	2 m	1000 m³/h	3 x 400 / 50 Hz	1,1 kW	73 dB(A)	103833
model	dimensions w/o extraction arm (width x depth x height)						
SF-1000	1250 x 810 x 863 mm						

FILTER CARTRIDGES

cartridge type	filter type	filter class	index
PRE-FILTER	metal	Coarse 30% (G2)	240007
MAIN FILTER	cartridge	Dust class M	243855

* excluding corrosive and chemically aggressive fumes or gases. In order to select the best configuration for your application, please contact our representative.
 ** requires connection to compressed air system (5–5.5 bar)



GD/GM-1500

Grinding work stations with extraction are made for work requiring continuous extraction. The work station is perfect for industrial grinding of work pieces. Requires connection to the local ventilation system extracting the polluted air outside or to the filter device.



APPLICATION	DESIGN	FEATURES
grinding work professional use workshop work stations repair work stations	welded steel housing with powder coating replaceable work bench dust collection drawers foldable side covers (GM)	welded steel housing with powder coating replaceable work bench dust collection drawers foldable side covers (GM)

GRINDING TABLE

model w/o cover	equipment	index
GD1500	standard*	103645-00
GD1500S	power sockets	103645-01

model w/ cover	equipment	index
GM1500	standard*	103632-00
GM1500S	power sockets	103632-01
GM1500L	light	103632-10
GM1500LS	power sockets & light	103632-11

model	dimension (width x depth x height)
GD1500	(1321 S version) 1150 x 800 x 864 mm
GM1500	(1321 S, LS version)) 1150 x 800 x 1621 mm

* standard version does not have power sockets or lights

Self-Supporting Extraction Arms

OSKAR CLASSIC



The Oskar Classic self-supporting fume extraction arms provide one of the most technically sophisticated air pollutant location and extraction methods directly from the emission point. The Oskar Classic arm design consists of swivel mount, smooth steel pipes, suction hood with a wrap-around handle, and a standard air flow damper. Oskar Classic arms are available with the diameter of 75, 100, 125, 160 and 200 mm. The unique design of Oskar Classic arms is an industry standard in today's local air pollution capture.

EXTERNAL JOINTS

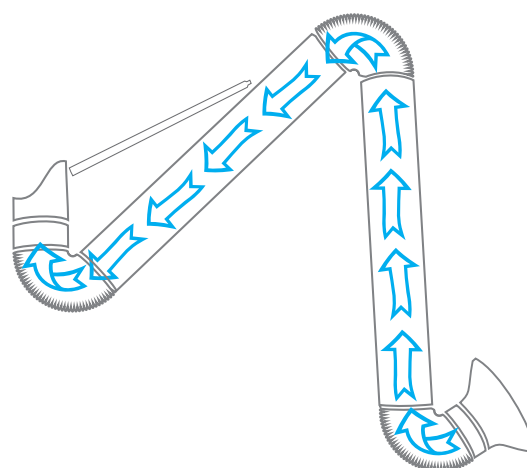
- no contact with pollutants during adjustments
- no need to stop the air flow in order to adjust the arm
- easily accessible inside of the arm at each of three joints

SMOOTH METAL TUBES

- low air flow resistance & noise level
- minimal dust build-up

SUPERIOR SERVICE LIFE

Planning to use an extraction arm for continuous work?
Choose the Oskar standard.



Series of types acc. to diameter	Recommended outfeed [m³/h]
Ø 75	200 ÷ 350
Ø 100	350 ÷ 550
Ø 125	550 ÷ 900
Ø 160	900 ÷ 1400
Ø 200	1400 ÷ 2100

OSKAR CLASSIC

075 100



SUCTION HOOD JOINT

suction hood with inlet screen
handle around the suction hood
painted aluminium parts



METAL TUBES

galvanised sheet
powder coated damper
and additional handle



MIDDLE JOINT

metal welded parts
powder coated



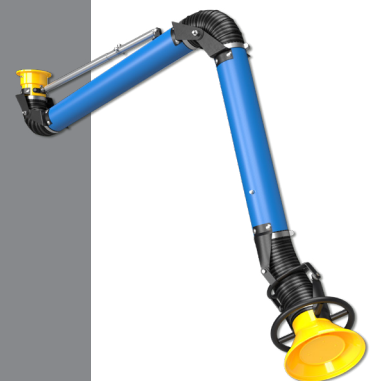
MOUNT JOINT

metal welded parts
swivel mount
mount swivel stopper (models 100)



FLEXIBLE HOSES

PVC material
temperature resistance of 80°C



APPLICATION

local air pollution capture*
laboratories
soldering
manual work
painting
preservation

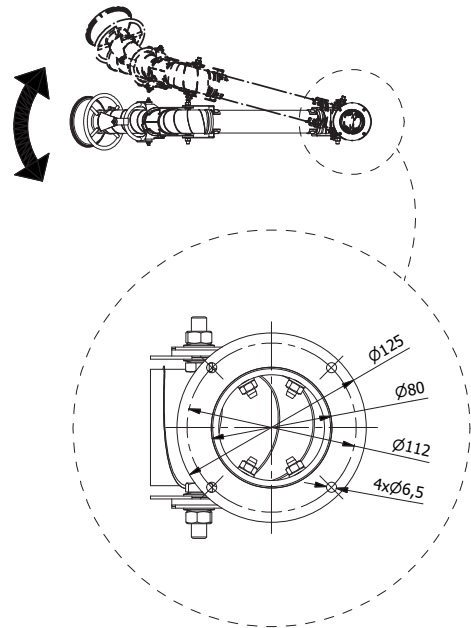
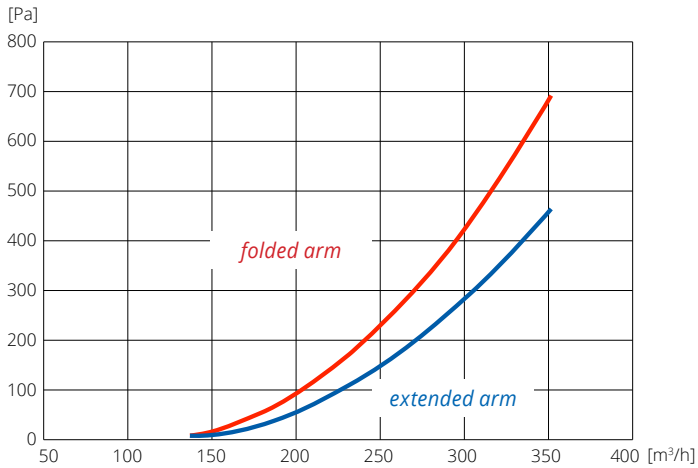
FEATURES

low air flow resistance
high durability
reliable rigidity
simple adjustments
easy maintenance

OSKAR CLASSIC 075 - self-supporting extraction arm

hanging model	reach	diameter	suction inlet	air flow range	index
OC-0710	1 m	75 mm	160 mm	200-350 m ³ /h	101 accessories 489
OC-0715	1,5 m	75 mm	160 mm	200-350 m ³ /h	101491
standing model	reach	diameter	inlet	air flow range	index
OC-0710P	1 m	75 mm	160 mm	200-350 m ³ /h	101490
OC-0715P	1,5 m	75 mm	160 mm	200-350 m ³ /h	101492
075 accessories	description				index
WS-075	075 mounting bracket				212550
KRC-075	075 connection flange				222029

Oskar 075 options: L - more details in parts, options, automatics



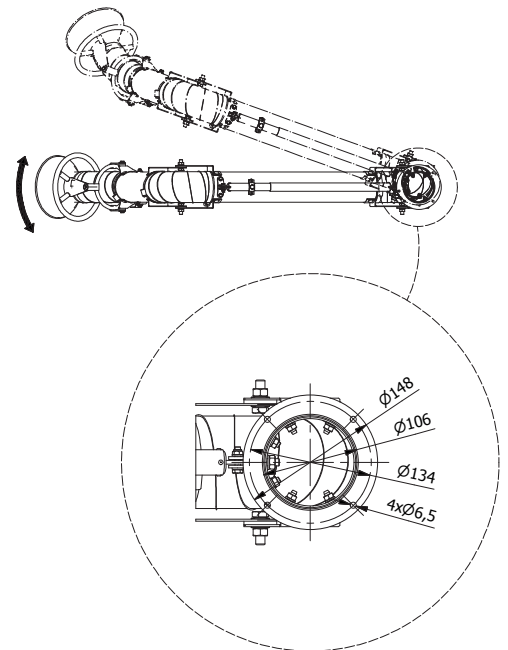
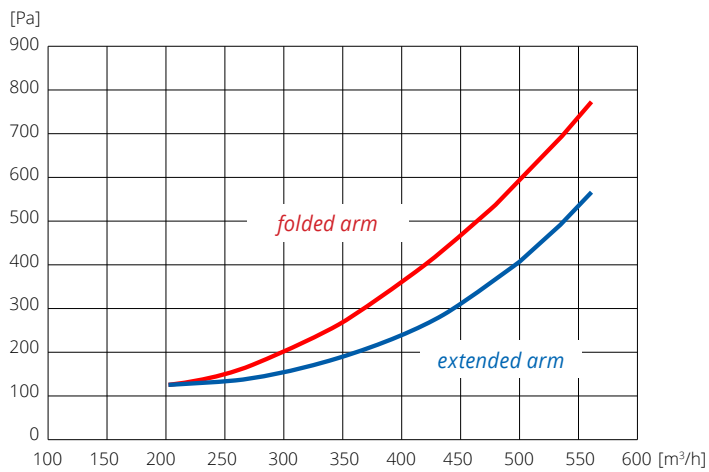
OSKAR CLASSIC 100 - self-supporting extraction arm

hanging model	reach	diameter	suction inlet	air flow range	index
OC-1015	1,5 m	100 mm	200 mm	350-550 m ³ /h	101493
OC-1020	2 m	100 mm	200 mm	350-550 m ³ /h	101495
OC-1025	2,5 m	100 mm	200 mm	350-550 m ³ /h	101497

standing model	reach	diameter	inlet	air flow range	index
OC-1015P	1,5 m	100 mm	200 mm	350-550 m ³ /h	101494
OC-1020P	2 m	100 mm	200 mm	350-550 m ³ /h	101496
OC-1025P	2,5 m	100 mm	200 mm	350-550 m ³ /h	101498

100 accessories	description	index
WS-100	100 mounting bracket	212418
KRC-100	100 connection flange	222030

Oskar 100 options: L, W, A, G - more details in parts, options, automatics



OSKAR CLASSIC

125



SUCTION HOOD JOINT

suction hood with inlet screen
handle around the suction hood
painted aluminium parts



METAL TUBES

galvanised sheet
powder coated damper
and additional handle



MIDDLE JOINT

aluminium casts
powder coated



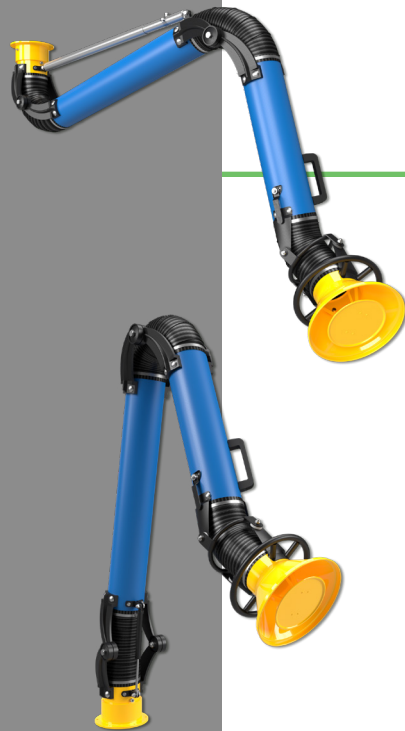
MOUNT JOINT

aluminium casts
swivel mount
mount swivel stopper



FLEXIBLE HOSES

PVC material
temperature resistance of 80°C



APPLICATION

local air pollution capture*
welding
grinding
cutting
preservation
pouring

FEATURES

low air flow resistance
high durability
reliable rigidity
simple adjustments
easy maintenance

* excluding corrosive and chemically aggressive fumes or gases. In order to select the best configuration for your application, please contact our representative

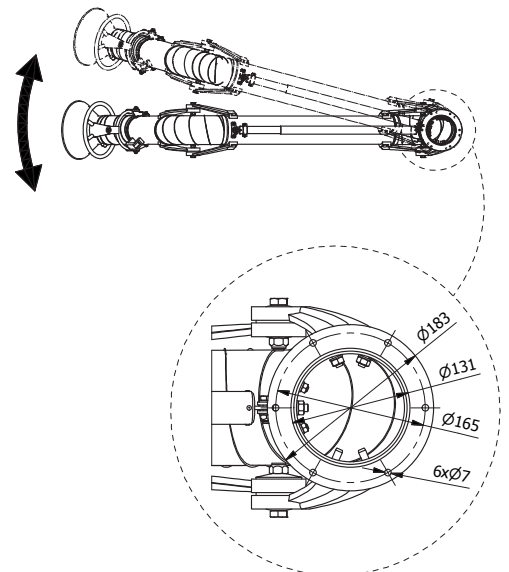
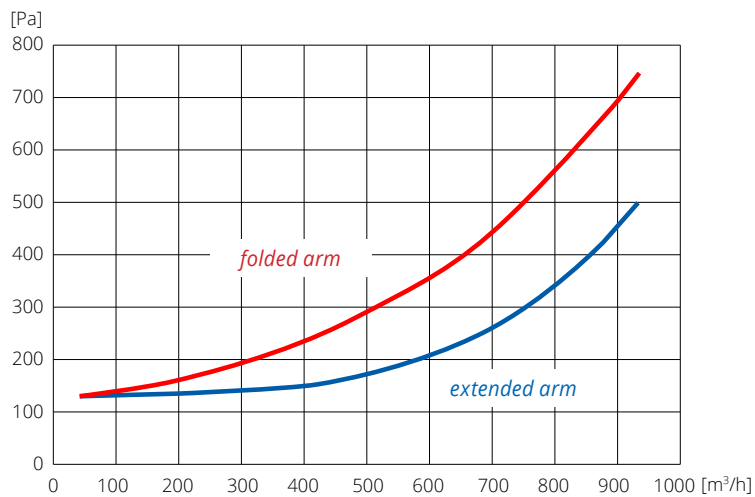
OSKAR CLASSIC 125 - self-supporting extraction arm

hanging model	reach	diameter	suction inlet	air flow range	index
OC-1220	2 m	125 mm	250 mm	550-900 m³/h	101499
OC-1225	2,5 m	125 mm	250 mm	550-900 m³/h	101501
OC-1230	3 m	125 mm	250 mm	550-900 m³/h	101503

standing model	reach	diameter	inlet	air flow range	index
OC-1220P	2 m	125 mm	250 mm	550-900 m³/h	101500
OC-1225P	2,5 m	125 mm	250 mm	550-900 m³/h	101502
OC-1230P	3 m	125 mm	250 mm	550-900 m³/h	101504

125 accessories	description	index
WS-125	125 mounting bracket	102497
KROC-125	125 connection flange	222031

Oskar 125 options: L, W, A, G - more details in parts, options, automatics



OSKAR CLASSIC

160



SUCTION HOOD JOINT

suction hood with inlet screen
handle around the suction hood
painted aluminium parts



METAL TUBES

galvanised sheet
powder coated
damper
additional handle



MIDDLE JOINT

powder coated
aluminium casts



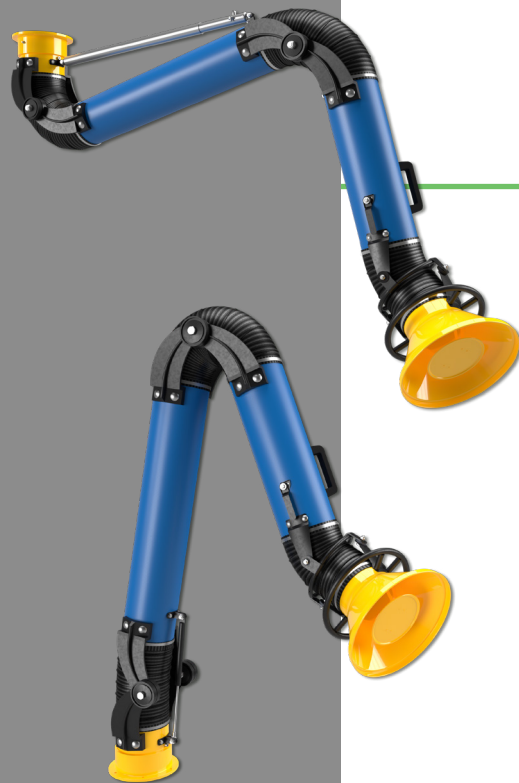
MOUNT JOINT

aluminium casts
swivel mount
mount swivel stopper



FLEXIBLE HOSES

PVC material
temperature resistance of 80°C



**industrial
quality
no compromise**

APPLICATION

local air pollution capture*
welding
grinding
cutting
preservation
pouring

FEATURES

low air flow resistance
high durability
reliable rigidity
simple adjustments
easy maintenance

* excluding corrosive and chemically aggressive fumes or gases. In order to select the best configuration for your application, please contact our representative

2021-12-27

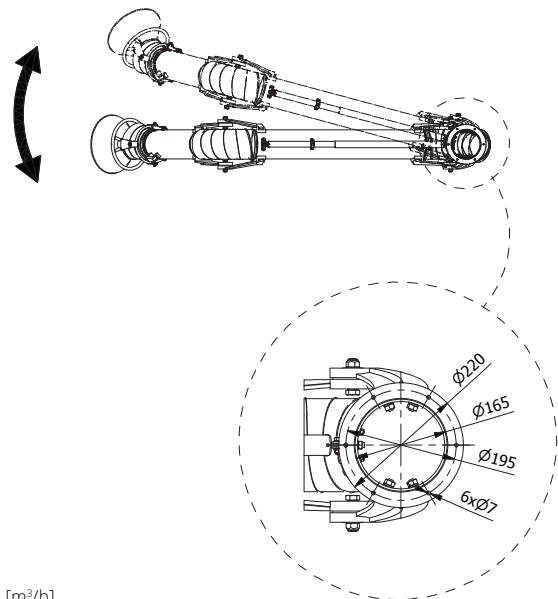
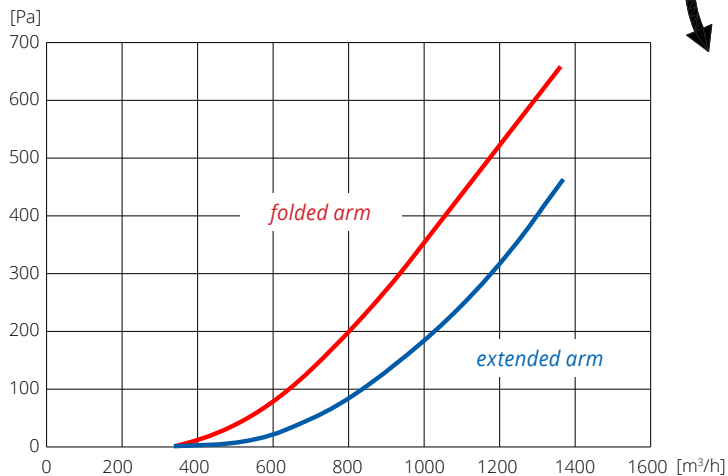
OSKAR CLASSIC 160 - self-supporting extraction arm

hanging model	reach	diameter	suction inlet	air flow range	index
OC-1620	2 m	160 mm	315 mm	900-1400 m ³ /h	101505
OC-1630	3 m	160 mm	315 mm	900-1400 m ³ /h	101507
OC-1640	4 m	160 mm	315 mm	900-1400 m ³ /h	101509

standing model	reach	diameter	inlet	air flow range	index
OC-1620P	2 m	160 mm	315 mm	900-1400 m ³ /h	101506
OC-1630P	3 m	160 mm	315 mm	900-1400 m ³ /h	101508
OC-1640P	4 m	160 mm	315 mm	900-1400 m ³ /h	101510

160 accessories	description	index
WS-160	160 mounting bracket	102498
WSD-160	160 long mounting bracket	102703
KROC-160	160 connection flange	222032
KROC-150	150 connection flange	222047

Oskar 160 options: L, W, A, G, 500 - more details in parts, options, automatics



OSKAR 160 STANDARD - hanging sets

set	reach	bracket	Oskar arm	flange	air flow range	index
OC-16020	2 m	WS-160	OC-1620	KROC-160	900-1400 m³/h	103903
OC-16030	3 m	WS-160	OC-1630	KROC-160	900-1400 m³/h	103904
OC-16040	4 m	WS-160	OC-1640	KROC-160	900-1400 m³/h	103905

set	reach (set's axis division)	single pivot boom	Oskar arm	air flow range	index
OC-16050	5 m (2+3)	WM1-20160	OC-1630	900-1400 m³/h	103906
OC-16060	6 m (3+3)	WM1-30160	OC-1630	900-1400 m³/h	103907

set	reach (set's axis division)	double pivot boom	Oskar arm	air flow range	index
OC-16070	7 m (2+2+3)	WM2-22160	OC-1630	900-1400 m³/h	103908
OC-16080	8 m (3+2+3)	WM2-32160	OC-1630	900-1400 m³/h	103909
OC-16090	9 m (4+2+3)	WM2-42160	OC-1630	900-1400 m³/h	103910

Oskar 160 options: L, W, A, G, 500 – more details in parts, options, automatics



TELE-OSKAR 160

Recommended for
production lines
and **training**
work stations



APPLICATION

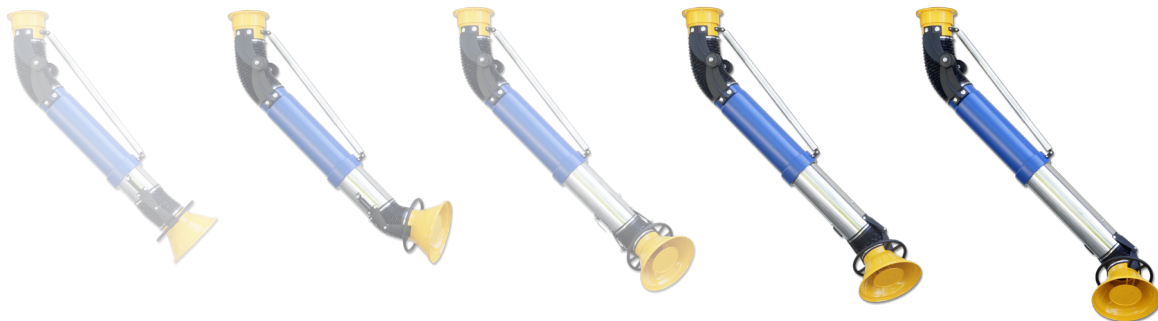
local air pollution capture*
semi-professional use
training work stations
repair work stations
welding & grinding

DESIGN

all adjustments located on the device's exterior
damped suction hood
handle on the suction hood
temperatures up to 80°C

FEATURES

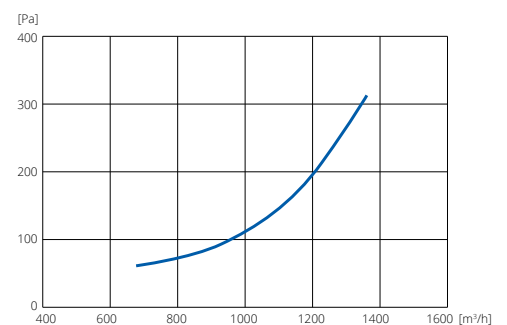
lightweight
remarkable positioning rigidity
low air flow resistance
cost-effective



TELE-OSKAR 160 - telescopic extraction arms

model	reach	diameter	suction inlet	air flow range	index
TO-1616*	1,2 - 1,6 m	160 mm	315 mm	900-1400 m ³ /h	101186
TO-1618	1,4 - 1,8 m	160 mm	315 mm	900-1400 m ³ /h	101187
TO-1626	1,8 - 2,6 m	160 mm	315 mm	900-1400 m ³ /h	101188

* model w/o damper, options: 500 (larger suction hood - inlet diameter) - more details in parts, options,



OSKAR CLASSIC

200



SUCTION HOOD JOINT

suction hood with inlet screen
handle around the suction hood
painted aluminium parts



METAL TUBES

galvanised sheet
powder coated
damper
additional handle



MIDDLE JOINT

aluminium casts
powder coated



MOUNT JOINT

aluminium casts
swivel mount
mount swivel stopper



FLEXIBLE HOSES

PVC material
temperature resistance of 80°C



heavy duty extraction arm

APPLICATION

local air pollution capture*
welding
grinding
cutting
preservation
pouring

FEATURES

low air flow resistance
high durability
reliable rigidity
simple adjustments
easy maintenance

*excluding corrosive and chemically aggressive fumes or gases. In order to select the best configuration for your application, please contact our representative

2021-12-27

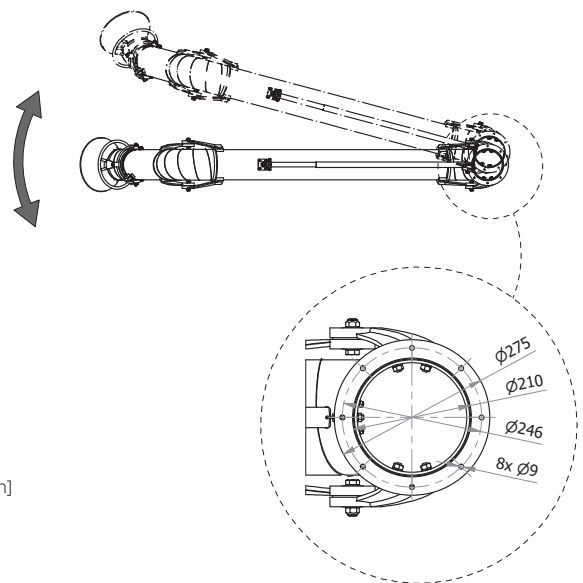
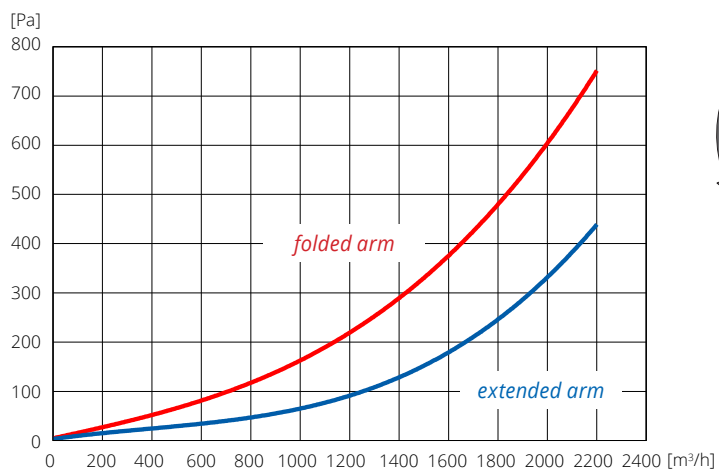
OSKAR CLASSIC 200 - self-supporting extraction arm

hanging model	reach	diameter	suction inlet	air flow range	index
OC-2020	2 m	200 mm	350 mm	1400-2100 m ³ /h	101511
OC-2030	3 m	200 mm	350 mm	1400-2100 m ³ /h	101513
OC-2040	4 m	200 mm	350 mm	1400-2100 m ³ /h	101515

standing model	reach	diameter	inlet	air flow range	index
OC-2020P	2 m	200 mm	350 mm	1400-2100 m ³ /h	101512
OC-2030P	3 m	200 mm	350 mm	1400-2100 m ³ /h	101514
WW-2040P	4 m	200 mm	350 mm	1400-2100 m ³ /h	101516

200 accessories	description	index
WS-200	200 mounting bracket	102499
KROC-200	200 connection flange	222033

Oskar 200 options: L, W, A, G, 500 - more details in parts, options, automatics



OSKAR 200 STANDARD - hanging sets

set	reach	bracket	Oskar arm	flange	air flow range	index
OC-20020	2 m	WS-200	OC-2020	KROC-200	1400-2100 m ³ /h	103911
OC-20030	3 m	WS-200	OC-2030	KROC-200	1400-2100 m ³ /h	103912
OC-20040	4 m	WS-200	OC-2040	KROC-200	1400-2100 m ³ /h	103913

set	reach (set's axis division)	single pivot boom	Oskar arm	air flow range	index
OC-20050	5 m (2+3)	WM1-20200	OC-2030	1400-2100 m ³ /h	103914
OC-20060	6 m (3+3)	WM1-30200	OC-2030	1400-2100 m ³ /h	103915

set	reach (set's axis division)	double pivot boom	Oskar arm	air flow range	index
OC-20070	7 m (2+2+3)	WM2-22200	OC-2030	1400-2100 m ³ /h	103916
OC-20080	8 m (3+2+3)	WM2-32200	OC-2030	1400-2100 m ³ /h	103917
OC-20090	9 m (4+2+3)	WM2-42200	OC-2030	1400-2100 m ³ /h	103918

Oskar 200 options: L, W, A, G, 500 - more details in parts, options, automatics



ECON 160

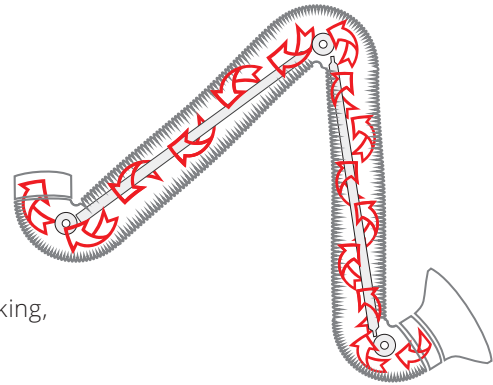
TELE-ECON

SEMI-PROFESSIONAL APPLICATIONS

If your extraction system is to be used occasionally, consider using Econ arms.

INTERNAL DESIGN

arm design in the pollution stream to adjust the arm's self-locking, you need to stop the air flow and detach the flexible hose



Econ tube extraction arms are designed to meet the requirements of users, who do not need continuous point extraction.

Econ devices are most often used for occasional, semi-professional welding work. The main advantage of these devices is low cost.

Lightweight, uncomplicated design uses flexible PVC hose stretched over the internal support structure.

APPLICATION

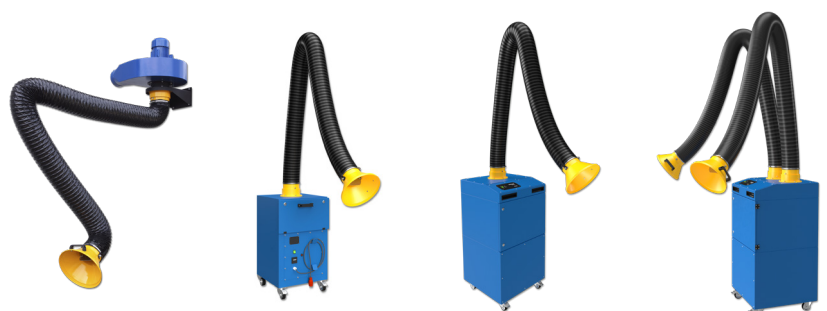
local air pollution capture*
 semi-professional use
 training work stations
 repair work stations

DESIGN

internal adjustments
 damped suction hood
 handle on the suction hood
 temperatures up to 80°C

FEATURES

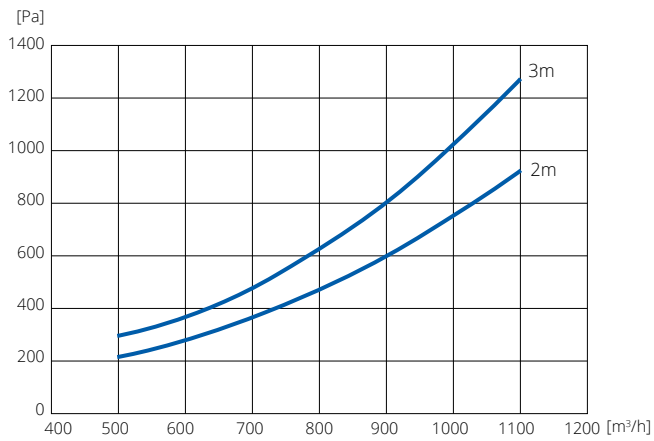
light-weight
 remarkable positioning rigidity
 higher air flow resistance
 cost-effective



ECON 160 - flexible hose extraction arm

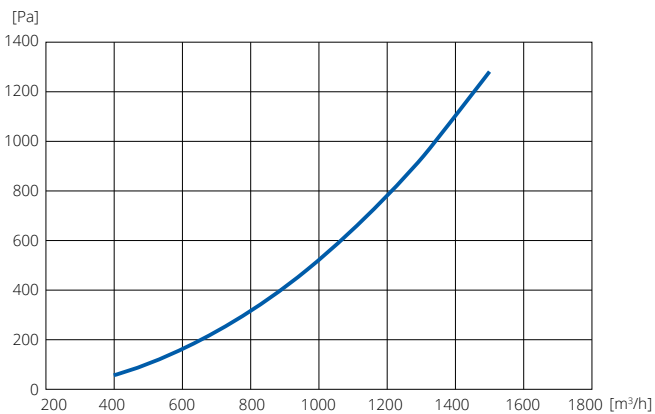
hanging model	reach	diameter	suction inlet	air flow range	index
EC-1620	2 m	160 mm	315 mm	800-1000 m ³ /h	101277
EC-1630	3 m	160 mm	315 mm	800-1000 m ³ /h	101535

standing model	reach	diameter	inlet	air flow range	index
EC-1620P	2 m	160 mm	315 mm	800-1000 m ³ /h	101534
EC-1630P	3 m	160 mm	315 mm	800-1000 m ³ /h	101536



TELE-ECON 160 - telescopic flexible hose extraction arm

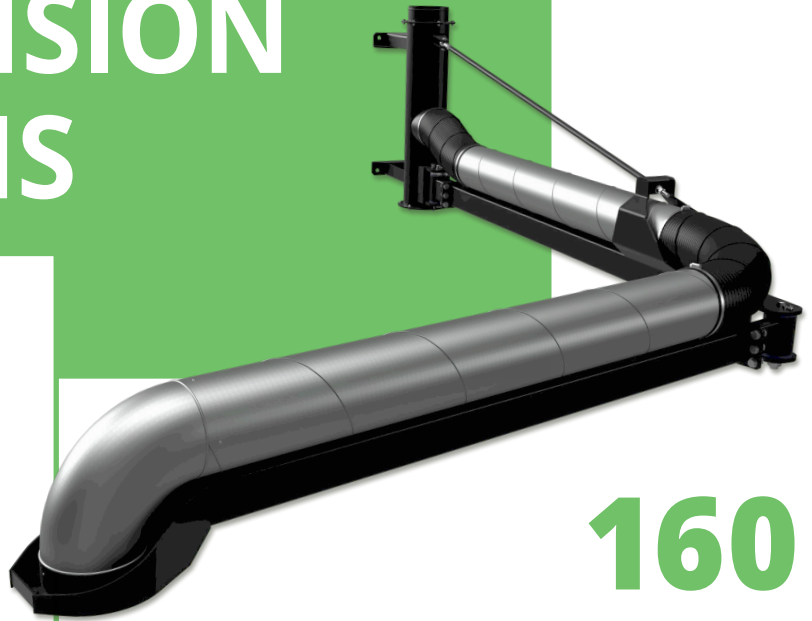
hanging model	reach	diameter	suction inlet	air flow range	index
TE-1616	1 - 1,6 m	160 mm	315 mm	1000-1300 m ³ /h	103598



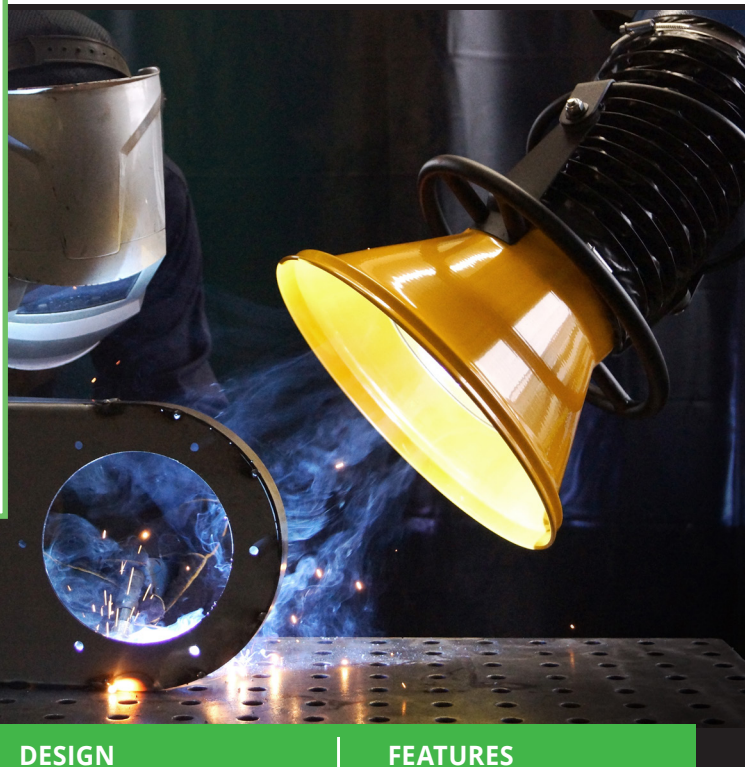
* excluding corrosive and chemically aggressive fumes or gases. In order to select the best configuration for your application, please contact our representative.

EXTENSION BOOMS

The basic application of swivel booms is the extension of operation area of self-supporting arms in case of variable pollutant emission point, and reaching emission points that are, for instance above the assemblies at the site. Moreover, the booms can be used to suspend the process equipment, such as welding wire feeders or exhaust hose reels (within the permissible load). The basic element of a boom is a support beam made of a closed profile steel section. A spiro tube runs alongside the beam. At the end of the support beam, there is a socket for self-supporting extraction arms. At the base of the boom, there is a socket for an extraction fan or an exhaust system piping. Double pivot boom versions have a support beam divided by a hinge, which helps eliminate dead zones within the working radius.



160
200



APPLICATION

- local air pollution capture*
- extension of extraction reach
- extraction arms
- exhaust gas extraction, hoods

DESIGN

- galvanised extraction tubes
- welded steel sections
- temperatures up to 80°C
- powder coated sections

FEATURES

- low air flow resistance
- reliable rigidity
- high durability
- easy maintenance

* excluding corrosive and chemically aggressive fumes or gases. In order to select the best configuration for your application, please, contact our representative

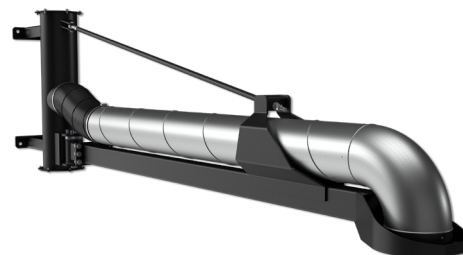
WN-160 fixed extension boom

model	reach	diameter	inlet capacity**	index
W0-10160	1 m	160 mm	25 kg	102143
W0-20160	2 m	160 mm	25 kg	102224



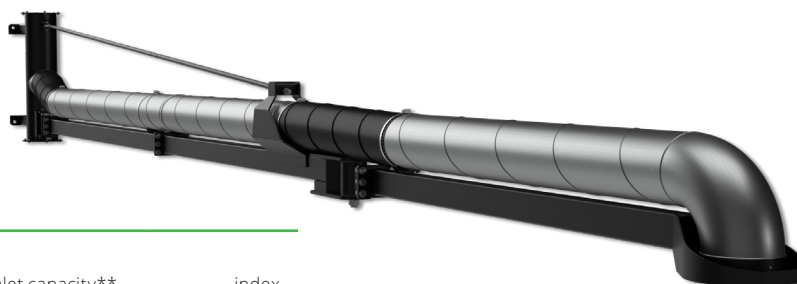
WM 160 modular, single pivot, swivel

model	reach	diameter	inlet capacity**	index
WM1-20160	2 m	160 mm	25 kg	103371
WM1-30160	3 m	160 mm	25 kg	103096



WM 200 modular, single pivot, swivel

model	reach	diameter	inlet capacity**	index
WM1-20200	2 m	200 mm	35 kg	103380
WM1-30200	3 m	200 mm	35 kg	103381



WM 160 modular, double pivot, swivel

model	reach	diameter	inlet capacity**	index
WM2-21160	3 m (2+1)	160 mm	25 kg	104658
WM2-22160	4 m (2+2)	160 mm	25 kg	103088
WM2-32160	5 m (3+2)	160 mm	25 kg	103372
WM2-42160	6 m (4+2)	160 mm	25 kg	102936

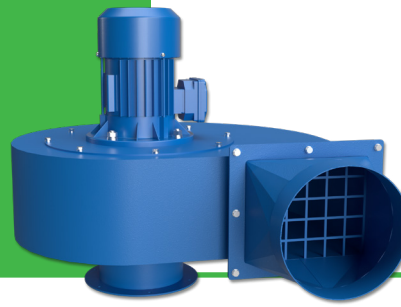
WM 200 modular, double pivot, swivel

model	reach	diameter	inlet capacity**	index
WM2-21200	3 m (2+1)	200 mm	33 kg	104659
WM2-22200	4 m (2+2)	200 mm	33 kg	103382
WM2-32200	5 m (3+2)	200 mm	33 kg	103383
WM2-42200	6 m (4+2)	200 mm	33 kg	103384

** for the load capacity of Oskar extraction arm booms, please contact our representative to discuss any extra loads

Extraction fans

ZWR 03-04-05



ZWR extraction fans are designed to work with Oskar Air Products extraction devices, as well as polluted or clean air exhaust systems. The aluminium impellers within metal casings ensure high industrial performance and spark-free design. ZWR extraction fans are used for pumping non-explosive and chemically non-aggressive gases with temperatures of up to 40°C. These devices work great for smoke or dust extraction, especially in universal point extraction units, with exhaust hose reels, or sliding suction rails.

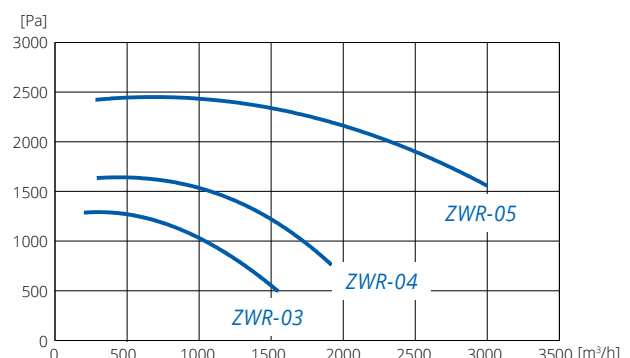
APPLICATION	DESIGN	FEATURES
smoke & exhaust gas extraction	aluminium impeller	high efficiency
non-explosive gas & dust extraction	steel casing	reliable rigidity
dry, airborne dust extraction	powder coated	dust resistance
work with extraction arms	detachable outlet fitting	easy maintenance
		continuous operation capability

ZWR

model	nominal air flow	max air flow	power	power supply	noise level at 1 m	index
03	1000 m ³ /h	1550 m ³ /h	0,75 kW	3 x 400 / 50 Hz	77 dB(A)	105202
04	1500 m ³ /h	1900 m ³ /h	1,10 kW	3 x 400 / 50 Hz	79 dB(A)	105203
05	2000 m ³ /h	3000 m ³ /h	2,20 kW	3 x 400 / 50 Hz	80 dB(A)	105204

CONNECTOR DIMENSIONS

model	inlet diameter	outlet diameter
ZWR-03	160 mm	160 mm
ZWR-04	160 mm	200 mm
ZWR-05	200 mm	200 mm



sliding suction rail

SSR



The sliding suction rail is designed to transport the point extraction sets (such as extraction arms or hoses). Sliding suction rails are mainly used for welding or tooling work stations, or car repair work stations (to capture exhaust gas) between distant sources of air pollutants emission. The sliding suction rail is perfect for work done in long, vast spaces (e.g. line welding). With the sliding suction rail, the extraction set can be used between distant air pollutant emission sources.

APPLICATION

smoke & exhaust gas extraction
non-explosive gas & dust extraction
dry, airborne dust extraction
work with extraction arms

DESIGN

rails made of steel section segments self-sealing rubber flap
wall- or ceiling-mounted
extraction trolley with Ø160 flange

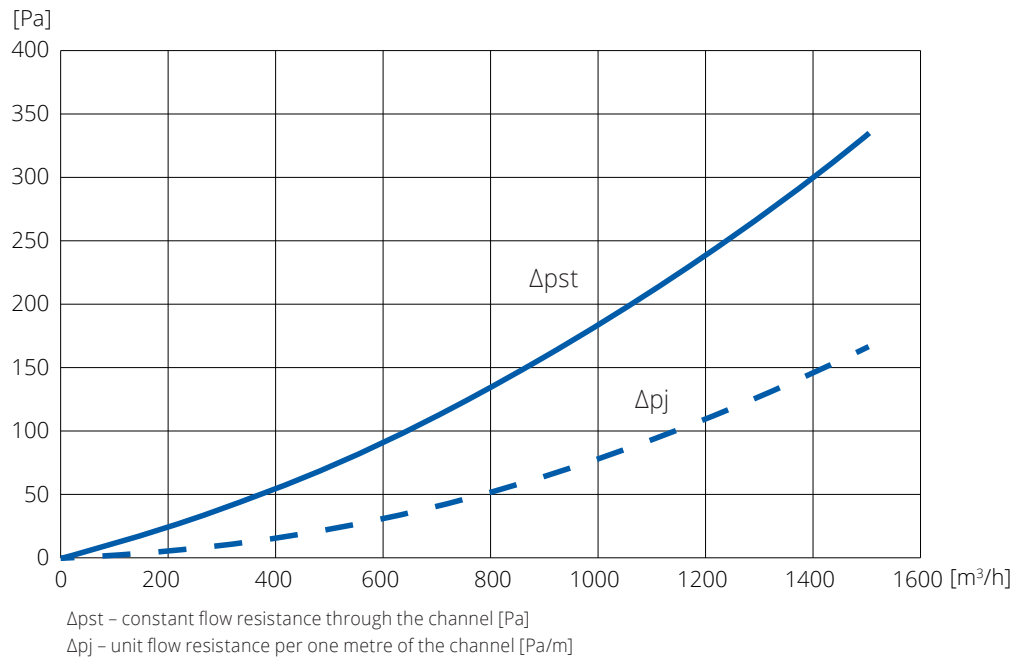
FEATURES

high efficiency
reliable rigidity
dust resistance
easy maintenance
up to two trolleys at the same time



SSR sliding suction rail with 160 mm outlet

ceiling-mounted model	description	length	index
SZOK2C-4M	two ceiling SSR sections, end cap, 160 flange, trolley	4 m	102413
SZOK2C-2-EXT-2M	ceiling section lengthening the SSR	2 m	103041
wall-mounted model	description	length	index
SZOK2W-4M	two wall SSR sections, end cap, 160 flange, trolley	4 m	103685
SZOK2W-EXT-2M	wall section lengthening the SSR	2 m	103686
Components - model	description		index
SZW-160	additional trolley for the SSR system, 160 mm inlet		102217





STAINLESS STEEL

local air pollution capture products



WORK IN DEMANDING CONDITIONS

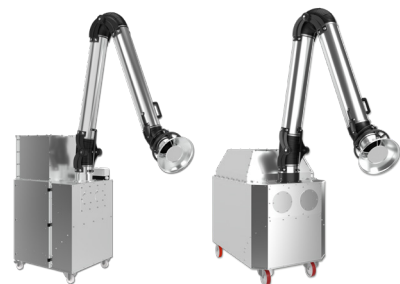
- fully stainless devices
- configuration customised to the application
- hygiene-certified flexible hoses
- high temperature or electricity conduction resistance

SUPERIOR SERVICE LIFE

Planning to use an extraction arm for continuous work?
Choose the Oskar standard.

INDUSTRIAL STRENGTH UNIVERSAL BUILD

OSKAR stainless steel extraction arms provide one of the most advanced methods of air pollution extraction in direct proximity of the emission point. The stainless arm tube is fully stainless inside (from the suction hood to the mounting flange). According to the application, the stainless steel Oskar can be customised with stainless joints (75, 100 arms), unpainted or anodized aluminium parts, flexible hoses with the hygiene certification that are resistant to high temperatures or electricity conduction. A wide range of part combinations makes the Oskar stainless steel arm one of the most universal devices in its class.



OSKAR STAINLESS STEEL SS 075

SWIVEL MOUNT

stainless sleeve
in aluminium cast

MOUNT JOINT

steel, unpainted joints & Oskar
standard parts stainless screwed
connections of tubes & the mount

OSKAR MODEL SS

stainless parts 304
internal screwed connections 304
PVC flexible hoses
external parts of
the self-supporting Oskar arm
standard model

MIDDLE JOINT

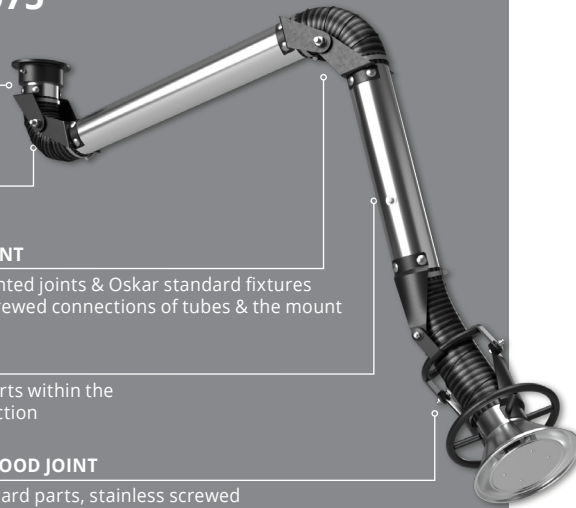
steel, unpainted joints & Oskar standard fixtures
stainless screwed connections of tubes & the mount

DAMPER

stainless parts within the
tube connection

SUCTION HOOD JOINT

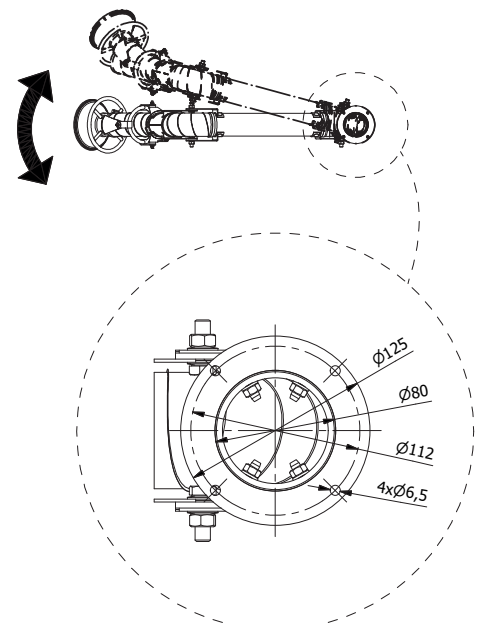
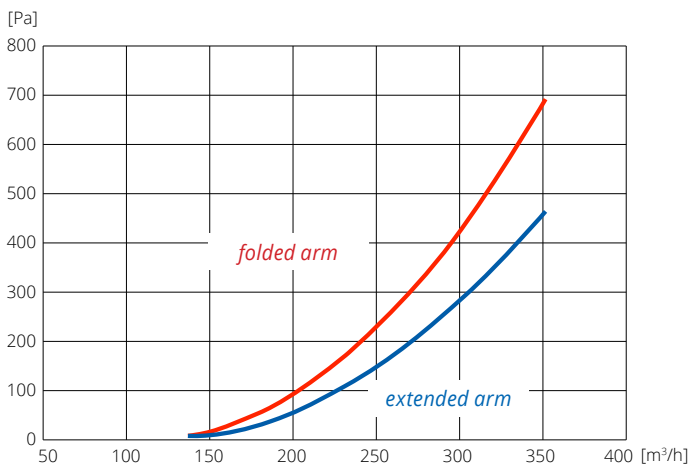
Oskar standard parts, stainless screwed
connections of tubes & the suction hood



hanging model	reach	diameter	suction inlet	air flow range	index
OSS-0710	1 m	75 mm	160 mm	200-350 m ³ /h	103439-00
OSS-0715	1,5 m	75 mm	160 mm	200-350 m ³ /h	103441-00

standing model	reach	diameter	suction inlet	index
OSS-0710P	1 m	75 mm	160 mm	103440-00
OSS-0715P	1,5 m	75 mm	160 mm	103442-00

075 accessories	description	index
WSS-075	075 stainless steel mounting bracket	212582-SS304
KRSS-075	075 stainless steel connection flange	222048



OSKAR STAINLESS STEEL SS 100

SWIVEL MOUNT

stainless sleeve
in aluminium cast

MOUNT JOINT

steel, unpainted joints & Oskar
standard parts stainless screwed
connections of tubes & the mount

OSKAR MODEL SS

stainless parts 304
internal screwed connections 304
PVC flexible hoses
external parts of
the self-supporting Oskar arm
standard model

MIDDLE JOINT

steel, unpainted joints & Oskar standard fixtures
stainless screwed connections of tubes & the mount

DAMPER

stainless parts within the
tube connection

SUCTION HOOD JOINT

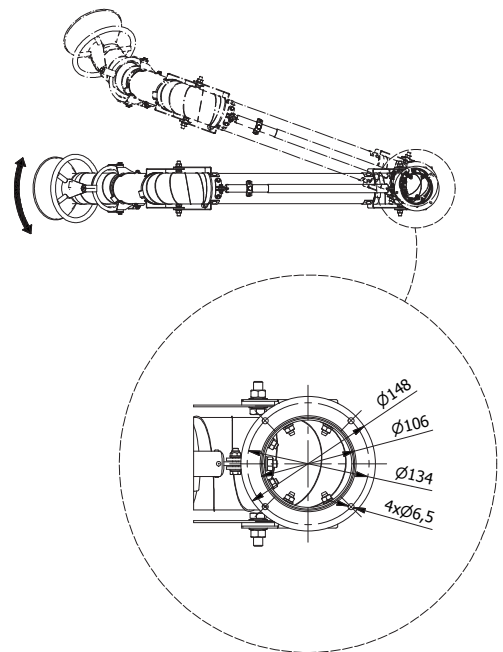
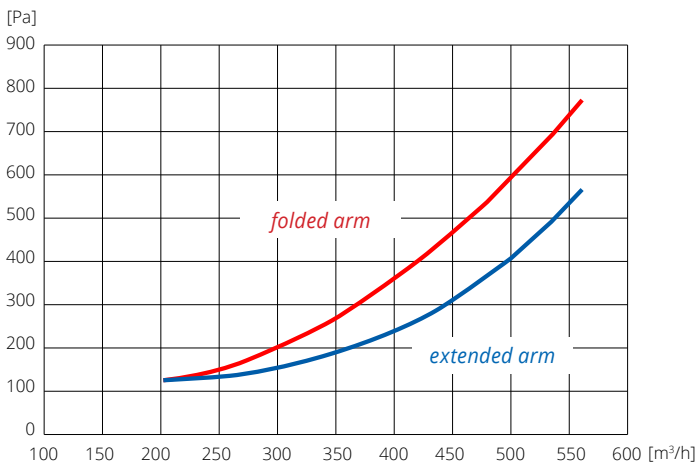
Oskar standard parts, stainless screwed
connections of tubes & the suction hood



hanging model	reach	diameter	suction inlet	air flow range	index
OSS-1015	1,5 m	100 mm	200 mm	350-550 m³/h	103445-00
OSS-1020	2 m	100 mm	200 mm	350-550 m³/h	103447-00
OSS-1025	2,5 m	100 mm	200 mm	350-550 m³/h	103449-00

standing model	reach	diameter	suction inlet	air flow range	index
OSS-1015P	1,5 m	100 mm	200 mm	350-550 m³/h	103446-00
OSS-1020P	2 m	100 mm	200 mm	350-550 m³/h	103448-00
OSS-1025P	2,5 m	100 mm	200 mm	350-550 m³/h	103450-00

100 accessories	description	index
WSS-100	075 stainless steel mounting bracket	212536-SS304
KRSS-100	075 stainless steel connection flange	222049



OSKAR STAINLESS STEEL SS 125

SWIVEL MOUNT

stainless sleeve
in aluminium cast

MOUNT JOINT

steel, unpainted joints & Oskar
standard parts stainless screwed
connections of tubes & the mount

OSKAR MODEL SS

stainless parts 304
internal screwed connections 304
PVC flexible hoses
external parts of
the self-supporting Oskar arm
standard model

MIDDLE JOINT

steel, unpainted joints & Oskar standard fixtures
stainless screwed connections of tubes & the mount

DAMPER

stainless parts within the
tube connection

SUCTION HOOD JOINT

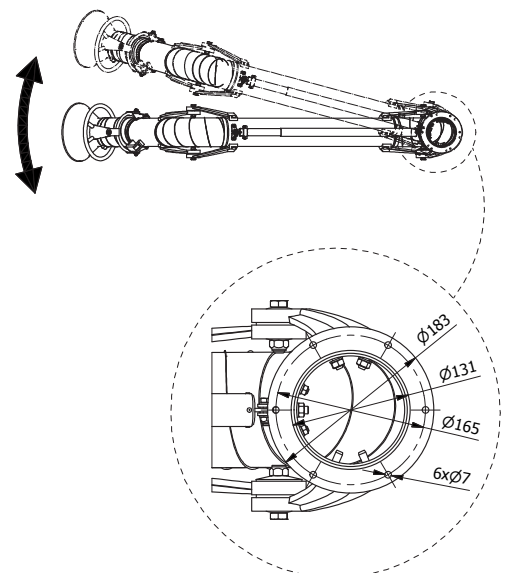
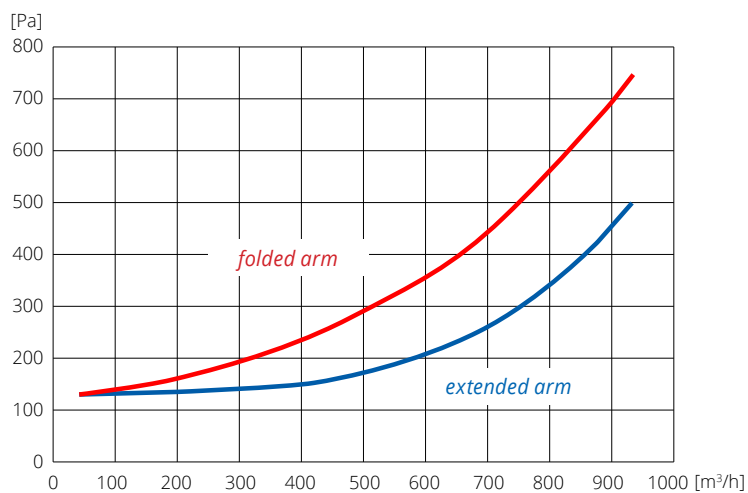
Oskar standard parts, stainless screwed
connections of tubes & the suction hood



hanging model	reach	diameter	suction inlet	air flow range	index
OSS-1220	2 m	125 mm	250 mm	550-900 m³/h	103453-00
OSS-1225	2,5 m	125 mm	250 mm	550-900 m³/h	103455-00
OSS-1230	3 m	125 mm	250 mm	550-900 m³/h	103457-00

standing model	reach	diameter	suction inlet	air flow range	index
OSS-1220P	2 m	125 mm	250 mm	550-900 m³/h	103454-00
OSS-1225P	2,5 m	125 mm	250 mm	550-900 m³/h	103456-00
OSS-1230P	3 m	125 mm	250 mm	550-900 m³/h	103458-00

125 accessories	description	index
WSS-125	125 stainless steel mounting bracket	102588-SS304
KRSS-125	125 stainless steel connection flange	222050



OSKAR STAINLESS STEEL SS 160

SWIVEL MOUNT

stainless sleeve
in aluminium cast

MOUNT JOINT

steel, unpainted joints & Oskar
standard parts stainless screwed
connections of tubes & the mount

OSKAR MODEL SS

stainless parts 304
internal screwed connections 304
PVC flexible hoses
external parts of
the self-supporting Oskar arm
standard model

MIDDLE JOINT

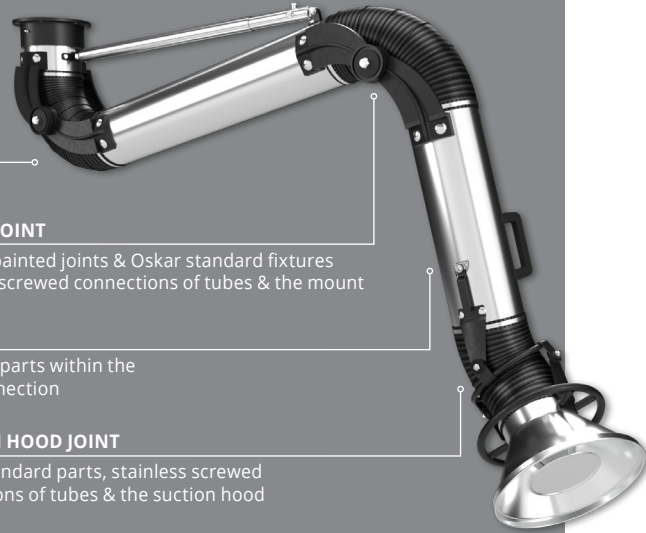
steel, unpainted joints & Oskar standard fixtures
stainless screwed connections of tubes & the mount

DAMPER

stainless parts within the
tube connection

SUCTION HOOD JOINT

Oskar standard parts, stainless screwed
connections of tubes & the suction hood

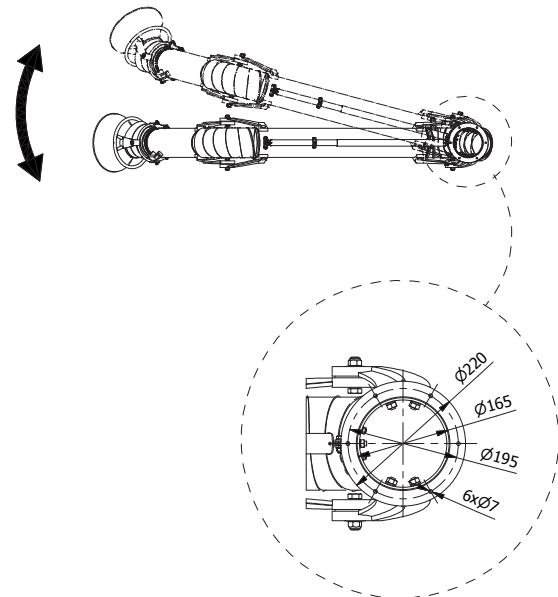
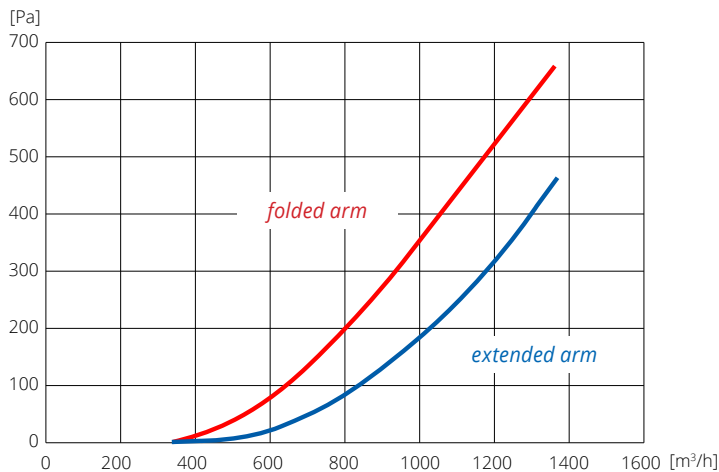


hanging model	reach	diameter	suction inlet	air flow range	index
OSS-1620	2 m	160 mm	315 mm	900-1400 m ³ /h	103461-00
OSS-1630	3 m	160 mm	315 mm	900-1400 m ³ /h	103463-00
OSS-1640	4 m	160 mm	315 mm	900-1400 m ³ /h	103465-00

standing model	reach	diameter	suction inlet	air flow range	index
OSS-1620P	2 m	160 mm	315 mm	900-1400 m ³ /h	103462-00
OSS-1630P	3 m	160 mm	315 mm	900-1400 m ³ /h	103464-00
OSS-1640P	4 m	160 mm	315 mm	900-1400 m ³ /h	103466-00



160 accessories	description	index
WSS-160	160 stainless steel mounting bracket	102589-SS304
KRSS-160	160 stainless steel connection flange	222051
KRSS-150	150 stainless steel connection flange	222053



OSKAR STAINLESS STEEL SS 200

SWIVEL MOUNT

stainless sleeve
in aluminium cast

MOUNT JOINT

steel, unpainted joints & Oskar
standard parts stainless screwed
connections of tubes & the mount

OSKAR MODEL SS

stainless parts 304
internal screwed connections 304
PVC flexible hoses
external parts of
the self-supporting Oskar arm
standard model

MIDDLE JOINT

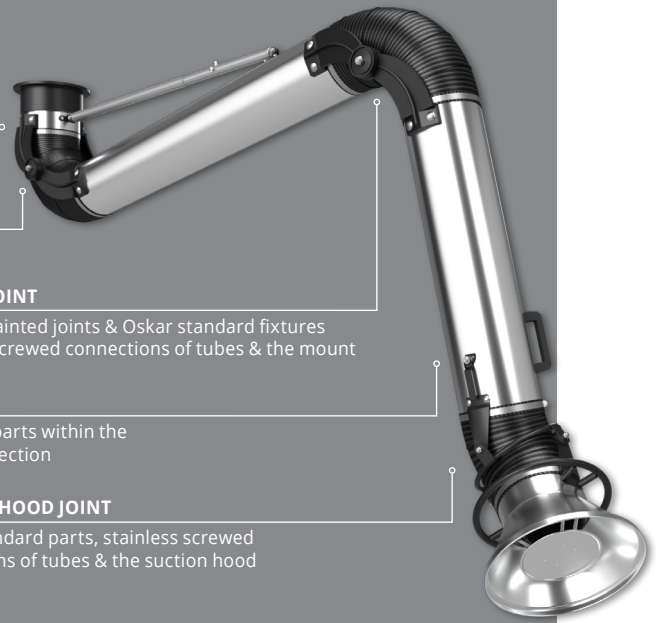
steel, unpainted joints & Oskar standard fixtures
stainless screwed connections of tubes & the mount

DAMPER

stainless parts within the
tube connection

SUCTION HOOD JOINT

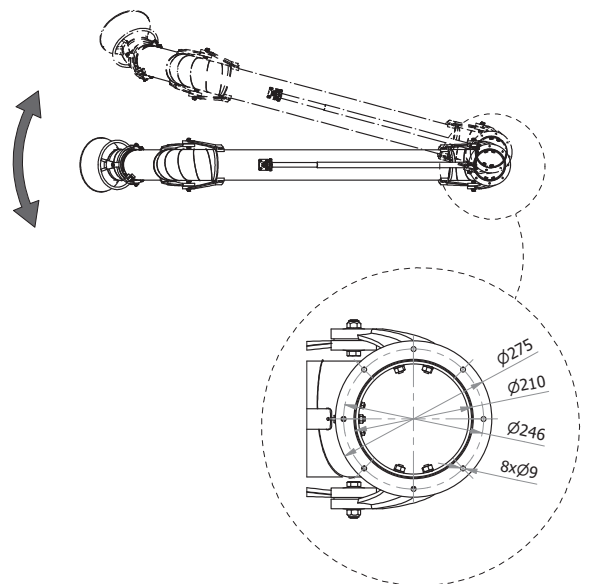
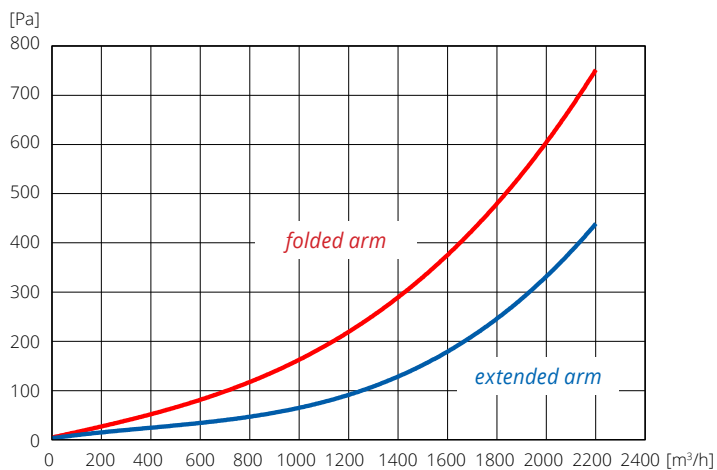
Oskar standard parts, stainless screwed
connections of tubes & the suction hood



hanging model	reach	diameter	suction inlet	air flow range	index
OSS-2020	2 m	200 mm	350 mm	1400-2100 m ³ /h	103469-00
OSS-2030	3 m	200 mm	350 mm	1400-2100 m ³ /h	103471-00
OSS-2040	4 m	200 mm	350 mm	1400-2100 m ³ /h	103473-00

standing model	reach	diameter	suction inlet	index
OSS-2020P	2 m	200 mm	350 mm	103470-00
OSS-2030P	3 m	200 mm	350 mm	103472-00
OSS-2040P	4 m	200 mm	350 mm	103474-00

200 accessories	description	index
WSS-200	200 stainless steel mounting bracket	102551-SS304
KRSS-200	200 stainless steel connection flange	222052



OSKAR STAINLESS STEEL FS 075

SWIVEL MOUNT

stainless sleeve
in anodized aluminium cast

MOUNT JOINT

stainless parts
stainless screwed connections
& disc springs

OSKAR MODEL FS

all stainless steel
parts 304
all aluminium parts anodized
PUR FDA flexible hoses

MIDDLE JOINT

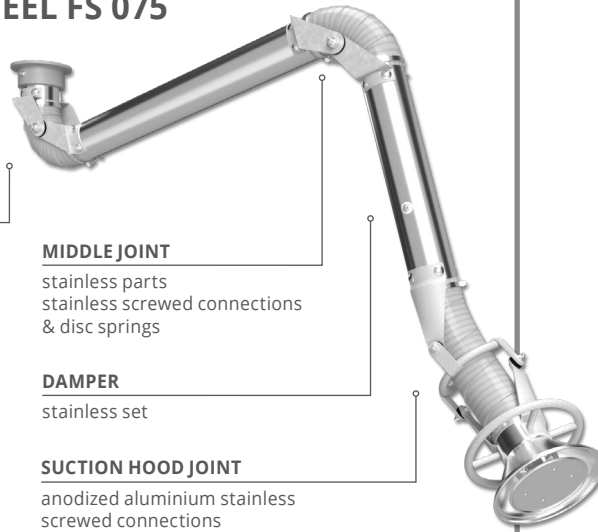
stainless parts
stainless screwed connections
& disc springs

DAMPER

stainless set

SUCTION HOOD JOINT

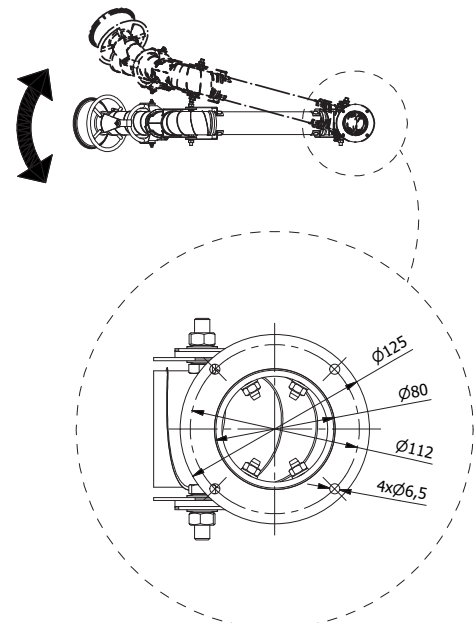
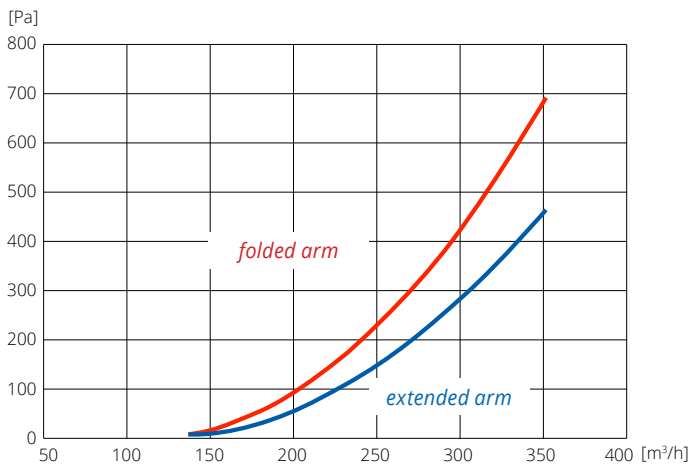
anodized aluminium stainless
screwed connections
& disc springs



hanging model	reach	diameter	suction inlet	air flow range	index
OFS-0710	1 m	75 mm	160 mm	200-350 m³/h	103439-41
OFS-0715	1,5 m	75 mm	160 mm	200-350 m³/h	103441-41

standing model	reach	diameter	suction inlet	air flow range	index
OFS-0710P	1 m	75 mm	160 mm	200-350 m³/h	103440-41
OFS-0715P	1,5 m	75 mm	160 mm	200-350 m³/h	103442-41

075 accessories	description	index
WSS-075	075 stainless steel mounting bracket	212582-SS304
KRSS-075	075 stainless steel connection flange	222048



OSKAR STAINLESS STEEL FS 100

SWIVEL MOUNT

stainless sleeve
in anodized aluminium cast

MOUNT JOINT

stainless parts
stainless screwed connections
& disc springs

OSKAR MODEL FS

all stainless steel
parts 304
all aluminium parts anodized
PUR FDA flexible hoses

MIDDLE JOINT

stainless parts
stainless screwed connections
& disc springs

DAMPER

stainless set

SUCTION HOOD JOINT

anodized aluminium stainless
screwed connections
& disc springs

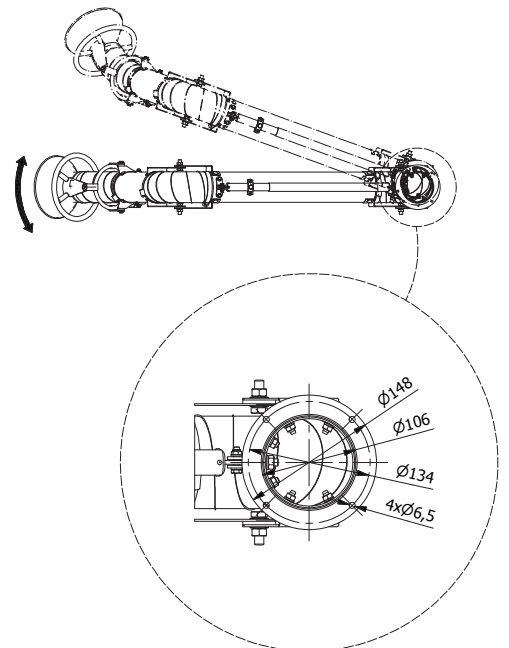
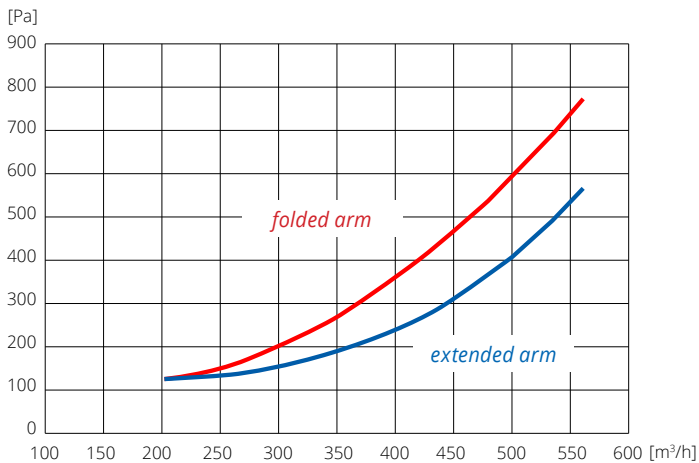


hanging model	reach	diameter	suction inlet	air flow range	index
OFS-1015	1,5 m	100 mm	200 mm	350-550 m³/h	103445-41
OFS-1020	2 m	100 mm	200 mm	350-550 m³/h	103447-41
OFS-1025	2,5 m	100 mm	200 mm	350-550 m³/h	103449-41

standing model	reach	diameter	suction inlet	air flow range	index
OFS-1015P	1,5 m	100 mm	200 mm	350-550 m³/h	103446-41
OFS-1020P	2 m	100 mm	200 mm	350-550 m³/h	103448-41
OFS-1025P	2,5 m	100 mm	200 mm	350-550 m³/h	103450-41



100 accessories	description	index
WSS-100	100 stainless steel mounting bracket	212536-SS304
KRSS-100	100 stainless steel connection flange	222049



OSKAR STAINLESS STEEL FS 125

SWIVEL MOUNT

stainless sleeve
in anodized aluminium cast

MOUNT JOINT

stainless parts
stainless screwed connections
& disc springs

OSKAR MODEL FS

all stainless steel
parts 304
all aluminium parts anodized PUR
FDA flexible hoses

MIDDLE JOINT

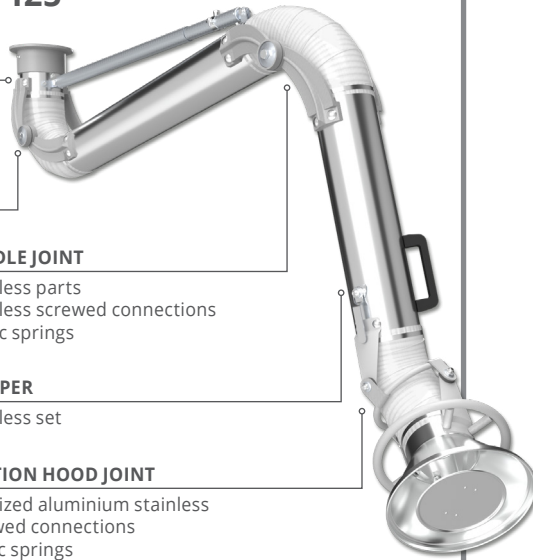
stainless parts
stainless screwed connections
& disc springs

DAMPER

stainless set

SUCTION HOOD JOINT

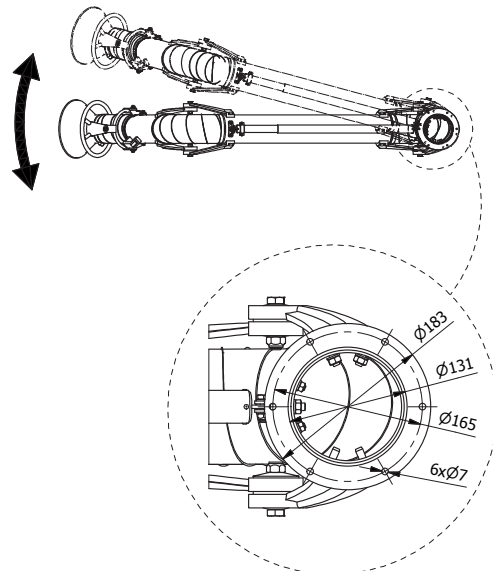
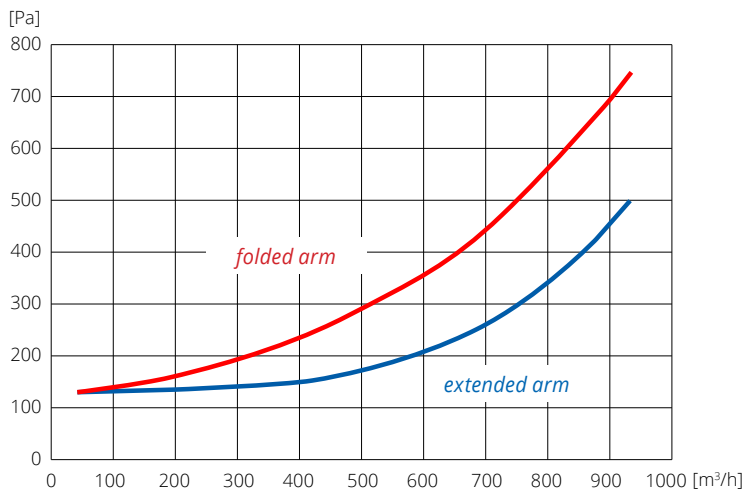
anodized aluminium stainless
screwed connections
& disc springs



hanging model	reach	diameter	suction inlet	air flow range	indeks
OFS-1220	2 m	125 mm	250 mm	550-900 m³/h	103453-41
OFS-1225	2,5 m	125 mm	250 mm	550-900 m³/h	103455-41
OFS-1230	3 m	125 mm	250 mm	550-900 m³/h	103457-41

standing model	reach	diameter	suction inlet	air flow range	indeks
OFS-1220P	2 m	125 mm	250 mm	550-900 m³/h	103454-41
OFS-1225P	2,5 m	125 mm	250 mm	550-900 m³/h	103456-41
OFS-1230P	3 m	125 mm	250 mm	550-900 m³/h	103458-41

125 accessories	description	indeks
WSS-125	125 stainless steel mounting bracket	102588-SS304
KRSS-125	125 stainless steel connection flange	222050



OSKAR STAINLESS STEEL FS 160

SWIVEL MOUNT

stainless sleeve
in anodized aluminium cast

MOUNT JOINT

stainless parts
stainless screwed connections
& disc springs

OSKAR MODEL FS

all stainless steel
parts 304
all aluminium parts anodized PUR
FDA flexible hoses

MIDDLE JOINT

stainless parts
stainless screwed connections
& disc springs

DAMPER

stainless set

SUCTION HOOD JOINT

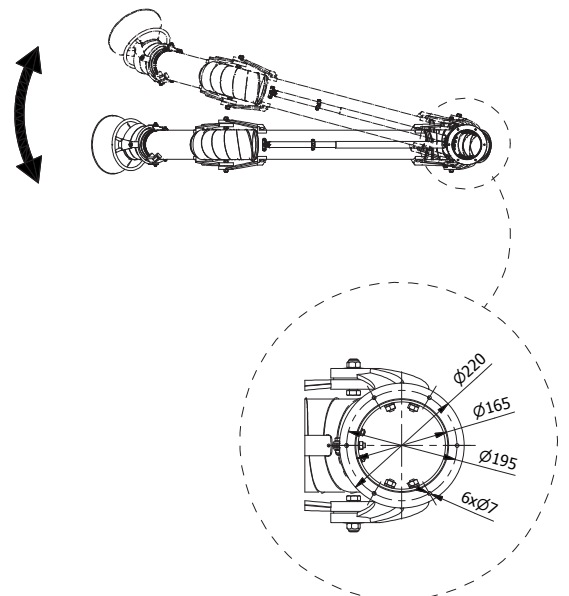
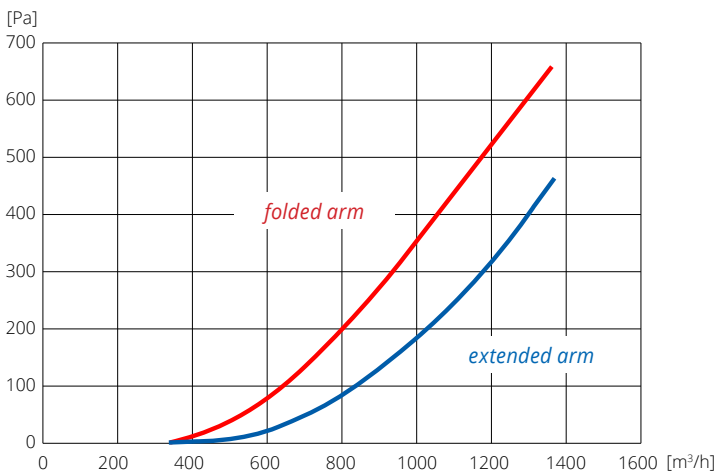
anodized aluminium stainless
screwed connections
& disc springs



hanging model	reach	diameter	suction inlet	air flow range	index
OFS-1620	2 m	160 mm	315 mm	900-1400 m³/h	103461-41
OFS-1630	3 m	160 mm	315 mm	900-1400 m³/h	103463-41
OFS-1640	4 m	160 mm	315 mm	900-1400 m³/h	103465-41

standing model	reach	diameter	suction inlet	index
OFS-1620P	2 m	160 mm	315 mm	103462-41
OFS-1630P	3 m	160 mm	315 mm	103464-41
OFS-1640P	4 m	160 mm </td <td>315 mm</td> <td>103466-41</td>	315 mm	103466-41

160 accessories	description	index
WSS-160	160 stainless steel mounting bracket	102589-SS304
KRSS-160	160 stainless steel connection flange	222051
KRSS-150	150 stainless steel connection flange	222053



OSKAR STAINLESS STEEL FS 200

SWIVEL MOUNT

stainless sleeve
in anodized aluminium cast

MOUNT JOINT

stainless parts
stainless screwed connections
& disc springs

OSKAR MODEL FS

all stainless steel
parts 304
all aluminium parts anodized PUR
FDA flexible hoses

MIDDLE JOINT

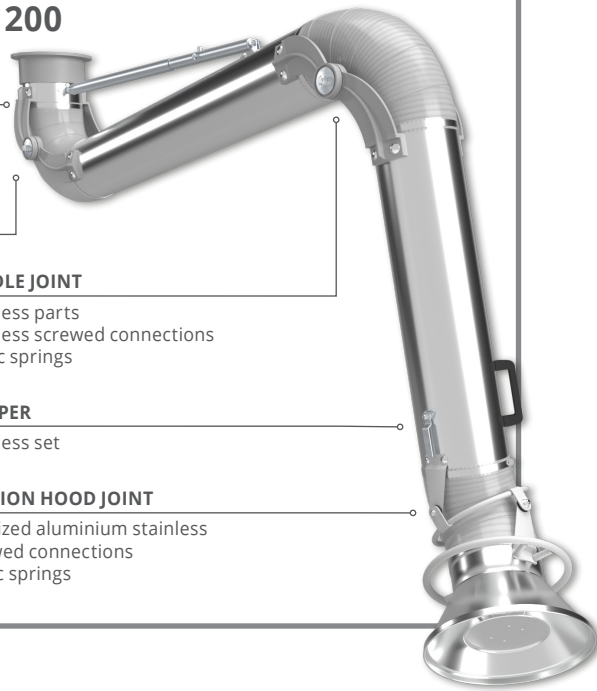
stainless parts
stainless screwed connections
& disc springs

DAMPER

stainless set

SUCTION HOOD JOINT

anodized aluminium stainless
screwed connections
& disc springs

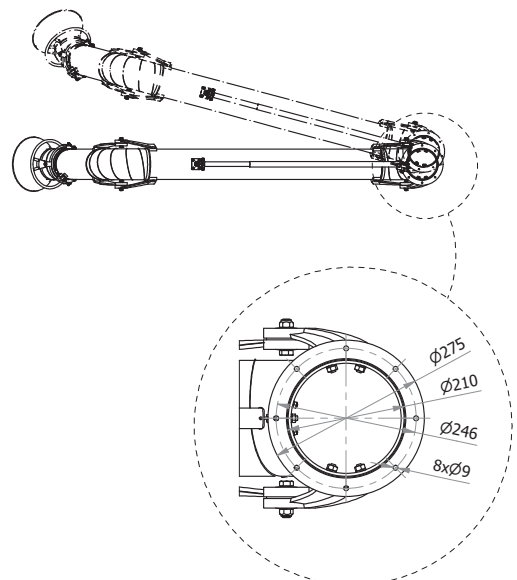
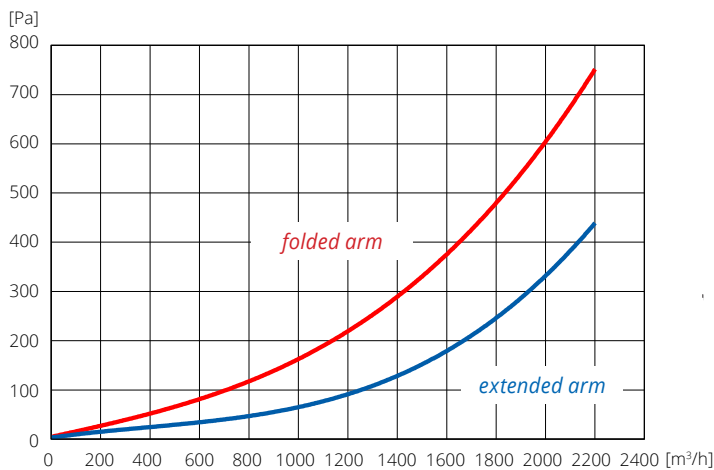


hanging model	reach	diameter	suction inlet	air flow range	index
OFS-2020	2 m	200 mm	350 mm	1400-2100 m³/h	103469-41
OFS-2030	3 m	200 mm	350 mm	1400-2100 m³/h	103471-41
OFS-2040	4 m	200 mm	350 mm	1400-2100 m³/h	103473-41

standing model	reach	diameter	suction inlet	air flow range	index
OFS-2020P	2 m	200 mm	350 mm	1400-2100 m³/h	103470-41
OFS-2030P	3 m	200 mm	350 mm	1400-2100 m³/h	103472-41
OFS-2040P	4 m	200 mm	350 mm	1400-2100 m³/h	103474-41



200 accessories	description	index
WSS-200	200 stainless steel mounting bracket	102551-SS304
KRSS-200	200 stainless steel connection flange	222052





STAINLAIR M1000

Stainless mobile filters with cartridge regeneration system are made for work requiring continuous extraction. They can be used for processes requiring frequent device washing.

APPLICATION	DESIGN	FEATURES
pharmaceutical industry food industry laboratories	stainless steel casing aluminium impeller main cartridge regeneration system* stainless extraction arm included wide selection of other stainless arms	one-stage filtration reliable rigidity dust resistance easy to keep clean features filter cleaning control button

STAINLAIR

model	arm	arm reach	max air flow	power supply	motor power	noise level at 1 m	index
M1000	OSS-1630P	3 m	1000 m³/h	3 x 400 / 50 Hz	1,1 kW	72 dB(A)	103902
model	dimensions w/o extraction arm (width x depth x height)						
M1000	872 x 679 x 1434 mm						

FILTER CARTRIDGES

cartridge type	filter type	filter class	index
MAIN FILTER	cartridge	99% efficiency for particles ≥ 0.5 µm	242080

* requires connection to compressed air system (5-5.5 bar)

STAINLAIR M2002



Stainless mobile filters with cartridge regeneration system are made for work requiring continuous extraction. They can be used for processes requiring frequent device washing.

APPLICATION	DESIGN	FEATURES
pharmaceutical industry food industry laboratories	stainless steel casing aluminium impeller main cartridge regeneration system* stainless extraction arm included wide selection of other stainless arms	one-stage filtration reliable rigidity dust resistance easy to keep clean features filter cleaning control button

STAINLAIR

model	arm	arm reach	max air flow	power supply	motor power	noise level at 1 m	index
M2002	OSS-2030P	3 m	2000 m ³ /h	3 x 400 / 50 Hz	2,2 kW	75 dB(A)	103919
model	dimensions w/o extraction arm (width x depth x height)						
M2002	1430 x 862 x 1335 mm						

FILTER CARTRIDGES

cartridge type	filter type	filter class	index
MAIN FILTER	cartridge	99% efficiency for particles ≥ 0.5 µm	242080

* requires connection to compressed air system (5-5.5 bar)