

### TELE 160 TELESCOPIC FUME EXTRACTION ARM

Tele 160 telescopic fume extraction arm has been designed for work in small, confined spaces especially with low ceilings. Tele 160 extraction arm is a unique construction which main principle is not to keep any internal mechanisms inside. The only device left inside is an air flow damper (no damper model available). Oskar telescoping arm is made of outside cast aluminium joints and two tubes which can move and rotate within each other. This product does not require any counter weight to work. Smooth tube design allows the lowest pressure drop as well as low noise levels. Construction of Tele 160 (like all other Oskar tube arms) means remarkable long product life time and simple maintenance. All adjustments on the outside allow for telescoping arm tension corrections without stopping air exhaust, contact with polluted air stream or fume arm interior.

#### FEATURES

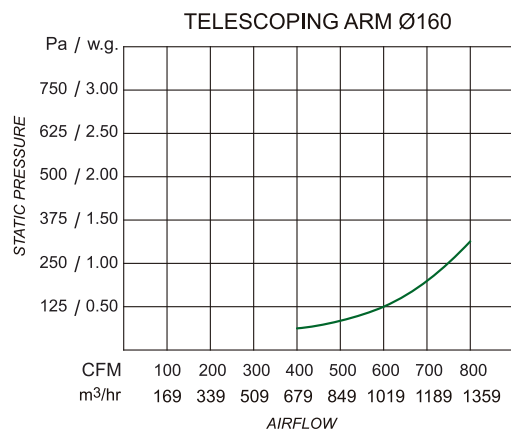
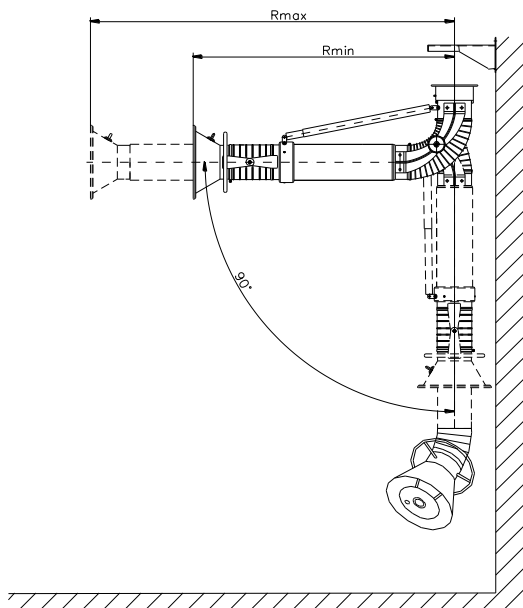
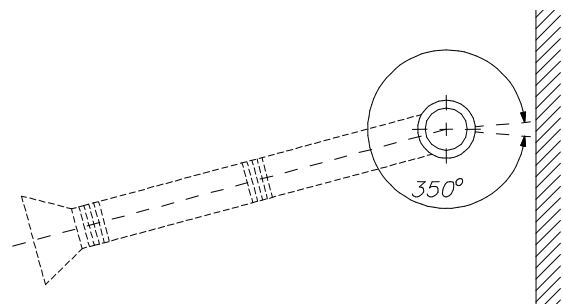
- industrial strength and durability
- versatile design
- smooth tube construction
- external supports and self-locking joints
- hood and tube grab handles
- air diverter in the hood
- standard damper

#### BENEFITS

- exceptionally long operational life time
- user friendly construction
- better airflow at lower static pressure
- low noise performance
- easy to adjust and maintain
- simple and stable positioning
- increased capture velocity



Model	Arm reach (Rmin) [mm]	Arm reach (Rmax) [mm]
T1616	1120	1435
T1618	1310	1740
T1626	1515	2535



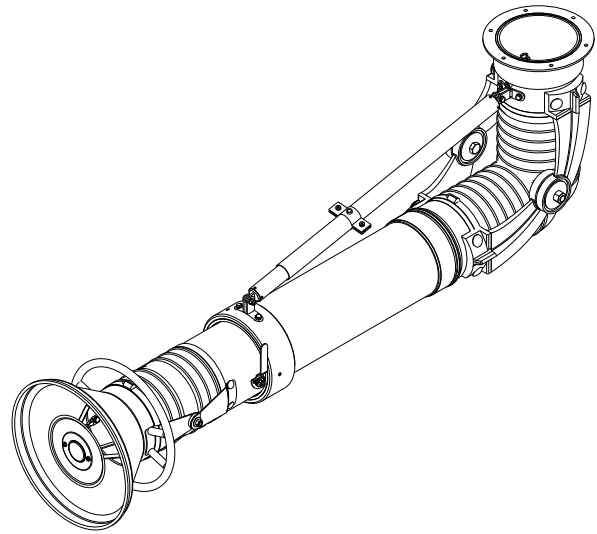
2016-05-12

## APPLICATION

- schools, repair and maintenance, production lines, welding booths
- standard temperature resistance up to 80°C
- recommended airflow range 900÷1400 m<sup>3</sup>/h
- local air pollution capture excluding chemically aggressive fumes and gases

## CONSTRUCTION

- all adjustments on the outside
- aluminium hood with air diverter (yellow)
- grab handle all around the hood
- aluminium hood joints (black)
- cast aluminium swivel joints (black)
- aluminium and steel mounting swivel (yellow)
- smooth tube (blue)
- standard built-in air damper (T1618, T1626 models)
- black PVC flexible hoses (temperature resistance up to 80°C)
- standard powder coating



## TELE 160 ARMS

W02-01-T1616	Telescopic arm T1616, reach 1,2 m-1,6 m; hood inlet 315 mm (without damper)
W02-01-T1618	Telescopic arm T1618, reach 1,4 m-1,8 m, diameter 160 mm, hood inlet 315 mm
W02-01-T1626	Telescopic arm T1626, reach 1,8 m-2,6 m, diameter 160 mm, hood inlet 315 mm

## TELE 160 ARMS- ACCESSORIES AND OPTIONS

P07-01-0004	Mounting bracket WS-160
P07-01-0013	Mounting bracket WSD-160 (longer version)
P08-11-0004	Connection flange diameter 150 mm steel
P08-11-0005	Connection flange diameter 160 mm steel
P02-80-0010	Grounding option - all metal parts hood, tubes, mounting swivel connected with grounding wires
P02-02-0127	Extended hood diameter 160 mm / 500 mm option (adds to the price of arm or standard hood)

## TELE 160 ARMS - SPARE PARTS

M03-21-1223	Complete set of black PVC flexible hoses for telescopic arm 160
P02-02-0125	Complete hood diameter 160 mm / 315 mm
P02-05-0012	Complete spring for telescopic arms