

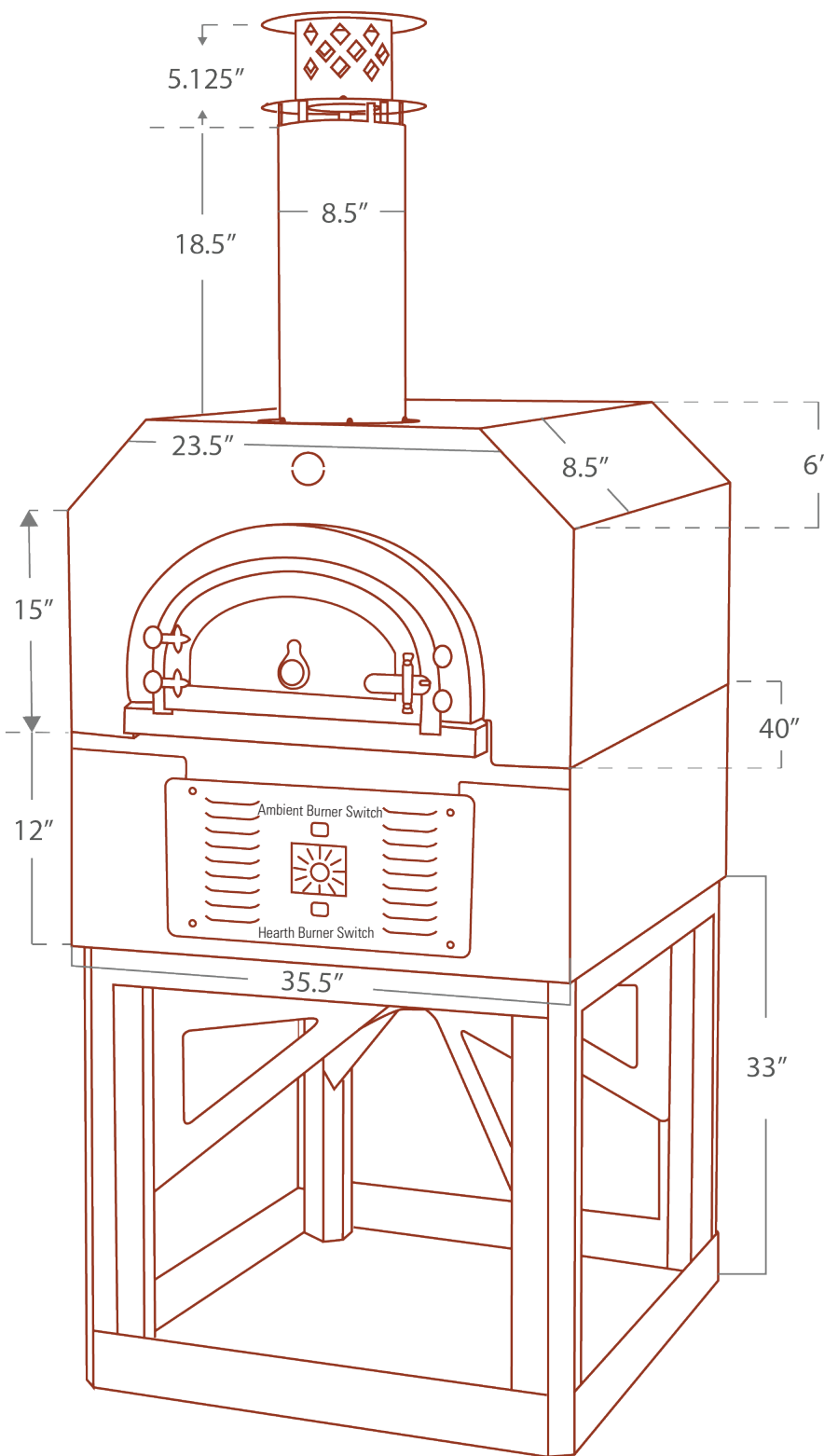
CBO-750 Hybrid Stand Specifications



Base SKU CBO-O-STD-750-HYB

Details

- Preassembled
- Custom-Built, Heavy-Duty Stand
- Metal Insulating Hood Available in Silver Vein (SV) or Copper Vein (CV)
- Gas Package (Available in Natural or Propane Gas; Specify Altitude)
- Accessory Package (Pizza Peel, Brush, Infrared Thermometer Gun)
- Residential (R) - Certified for Outdoor Use Only
- Commercial (C) - Certified for Indoor & Outdoor Use
- Hearth Cooking Surface 38" x 28"



Oven with Stand Weight: 1,051 lbs.



CHICAGO BRICK OVEN