



USE & CARE GUIDE

CHARCOAL GRILL BLZ-4-CHAR

WARNING

- 1) Do not store or use gasoline or other flammable liquids or vapor in the vicinity of this or any other grill
- 2) A LP cylinder not connected for use shall not be stored in the vicinity of this or any other grills

ATTENTION INSTALLER:

PLEASE LEAVE THESE INSTRUCTIONS WITH THE CONSUMER.

ATTENTION CONSUMER:

PLEASE READ & RETAIN THESE INSTRUCTIONS FOR FUTURE REFERENCE AND BEFORE INSTALLING OR OPERATING.

- CONTACT INFORMATION -

Blaze Outdoor Products: 6620 Greenwell Springs Rd , Baton Rouge, LA

70805 USA Phone: 866-976-9510 email:

CustomerService@BlazeGrills.com BLAZEGRILLS.COM

Table of Contents

I. General Safety and Installation Warnings	3-4
i. Charcoal Safety	4
II. Location of Grill	5
III. Electrical Safety and Installation Warnings	6
IV. Unpacking Unit	7
V. Installing the Grill in a BBQ Island	8
i. Building BBQ Specifications	9
ii. First Time Operation	10
VI. Cleaning your Grill	11
VII. Warranty Registration	12
VIII. Grill Parts	13
IX. Notes	14
X. Blaze Product Registration	15

General Safety and Installation Warnings

NOTE: The manufacturer cannot be held responsible for damage or injury caused by improper use of this grill. When using your Blaze grill, please read and follow these basic precautions:

WARNING

To reduce the risk of fire, electric shock, or injury, read and follow these basic precautions before installing/operating your grill.

CALIFORNIA PROPOSITION 65 WARNING

The burning of gas cooking fuel generates some by-products which are on the list of substances which are known by the State of California to cause cancer or reproductive harm. California law requires businesses to warn customers of potential exposure to such substances. To minimize exposure to these substances, always operate the unit according to the use and care manual, ensuring you provide good ventilation when cooking.

WARNING: Improper installation, use, adjustment, alteration, service or maintenance can cause injury or property damage. Read the installation, operating and maintenance instructions thoroughly before installing or servicing this equipment.

WARNING

EXPLOSION HAZARD

Do not use the grill as storage area for flammable materials. Keep area clear and free from combustible materials, gasoline, and other flammable vapors and liquids. Failure to do so can result in death, explosion, or fire.

IMPORTANT: Consult the AHJ (Authority Having Jurisdiction) or local contractor of any uncertainty.

WARNING

This unit is for outdoor use only!

Do not operate in a building, garage or any other enclosed or partially enclosed areas. This could result in carbon monoxide buildup which could result in injury or death.

WARNING

Every part of the charcoal grill will become hot during use. Exercise caution while around the grill and always wear gloves. Never leave the grill unattended. Never allow children or pets around the grill's area when in use. Only use BBQ tools with long heat resistant handles.

FOR YOUR SAFETY

1. Do not store or use gasoline or other flammable vapors and liquids in the vicinity of this or any other grill.
2. Do not store any propane/butane (G31-G30) cylinder (that is not connected for use) in the vicinity of this or any other grill.

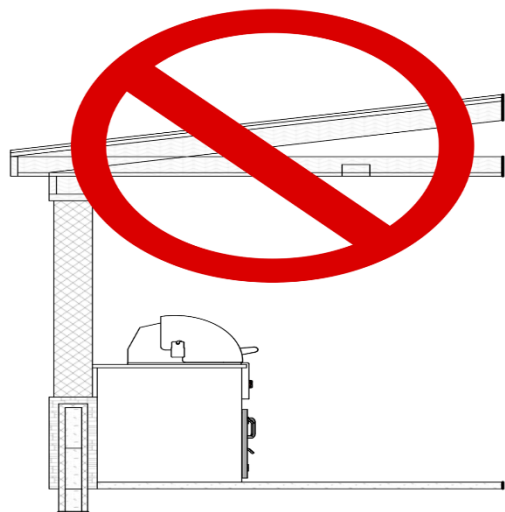
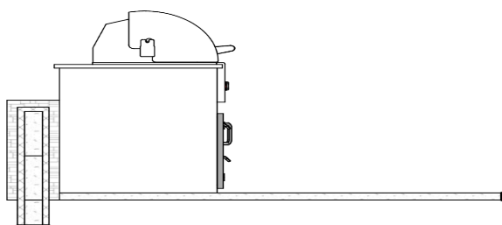
CHARCOAL SAFETY

- Never add lighter fluid to coals that are already hot and or warm.
- Never use gasoline, kerosene, or other highly volatile fluids as a starter due to the explosion hazard.
- Never use an electric starter in the rain or when standing on wet ground.
- When using instant light briquettes, do not use any other starters along with them. Do not add additional instant light briquettes once the coals are lit. Only add regular charcoal briquettes if more are needed.
- Once the grill is lit, do not touch briquettes or wood chunks to see if they are hot. Keep grill uncovered until ready to cook.
- Always allow coals to burn out completely and let ashes cool completely before disposing.
- Dispose of cold ashes by wrapping them in heavy duty aluminum foil and placing them in a non-combustible container. Be sure no other combustible materials are nearby
- Only place charcoal in the charcoal tray and nowhere else
- Extinguished coals and ashes must be placed within a safe distance from all structures and combustible materials.
- Never leave coals and ashes in the grill unattended.

Location of Grill

Most importantly, this is an outdoor grill. Ensure your grill is positioned safely away from anything that can catch fire. **Under no circumstance is this grill to be used indoors. This includes garages or any other enclosed or partially enclosed areas.**

- **Clearance from Combustibles:** Ensure your grill remains at a distance of at least 48" of the side, front, and back from combustible surfaces such as wood, gyprock, paper and plants. Built in applications must be installed in non-combustible materials. Do not store combustible materials, gasoline or flammable liquids or vapors around the grill. Do not use this unit under combustible surfaces. Do not use this grill under cover whether permanent or temporary structure.
- **Adequate Ventilation:** Ensure there is adequate ventilation for both the grill, grill cart and/or island cavity. This is required not only for proper combustion, but also to prevent heat buildup.
- **Firm Level Surface:** Use your grill only on a firm level surface. This grill is not designed for recreational vehicles, and should not be installed on a boat or marine craft.
- **Protection from Weather:** Keep the grill protected from adverse weather, including rain and high winds. Place the grill in an outdoor area that is protected from the wind. The exposure of Stainless Steel to salt in the air (either along the coast or by salt water pools), pool chemicals, garden fertilizers, countertop chemicals (stone sealer) can accelerate the corrosion of the grill components. More regular cleaning of the grill and covering of the unit will be required in these settings. Never store any chemicals near your grill. There are products to protect the stainless steel components when exposed to these environments. Consult your dealer for more information on these products.
- **Under covered enclosures:** Many backyards have areas that are either completely enclosed or partially closed off, such as balconies and pergolas. Do not use this grill inside a building or any other enclosed or partially enclosed area. Remember to never use this grill in an undercover enclosure. Do not use this grill under cover whether permanent or temporary structure.



Please read all instructions before installing or operating your grill to prevent injury and grill damage.

- All charcoal grills will get hot during use. Use extreme caution when operating the grill.
- Do not touch hot surfaces. Always use the handle to open or close the grill.
- Close supervision is necessary when this or any grill is used near children. Keep children away from the grill during operation and until the grill has cooled off.
- Do not store any LP cylinder or tank in the area of this grill or any other grill. Never store an LP cylinder or tank indoors, or within the reach of children.
- The use of accessories or components not recommended by the grill manufacturer may cause injuries and will void warranty.
- Never lean over the cooking surface when lighting or operating the grill.
- Use cooking utensils with wood handles and insulated oven mitts when operating the grill.
- Do not store anything in the grill. Make sure food is not forgotten in the grill; forgotten items could melt or catch fire when the grill is lit.
- To prevent injuries, do not use accessories not recommended by the manufacturer.
- Before cleaning the grill, disconnect the rotisserie and "trip" the circuit breaker.
- Never use the grill in windy conditions. If located in a consistently windy area (oceanfront, mountaintop, etc.) a wind break will be required. Winds blowing into or across the back hood gap, can cause poor performance and / or cause the control panel to get dangerously hot.
- Always open the grill hood carefully, using only the handle - the hood may be hot.
- Children should not be left alone or unattended in an area where any grill is in use. They should never be allowed to touch, sit or stand on any part of the grill.
- Do not store items of interest to children in cabinets above the grill or in the grill. Children climbing on the grill to reach these items could be seriously injured.
- Wear proper clothing when operating this grill. Loose-fitting or hanging garments should never be worn while using the grill.
- Do not leave the grill unattended while in use.
- Do not use water on grease fires! A violent steam explosion may result. Instead, smother the fire with a multipurpose ABC extinguisher.

Electrical Safety and Installation Warnings

Extension cords may be used if care is exercised in their use.

If an extension cord is used:

- The marked electrical rating of the cord set or extension cord should be at least as great as the electrical rating of the grill

- The cord should be arranged so that it will not touch hot surfaces, sharp edges or drape over the countertop or tabletop (where it can be pulled or tripped over unintentionally).

Outdoor extension cords should be used with products suited for outdoor use. They are surface marked with suffix letters "W" or "W-A" and with a tag stating "Suitable for Use with Outdoor Grills".

To protect against electrical shock, the power cord and plug should be kept dry and off of the ground.

Do not clean this product with water spray; do not spray cleaners into the lamp socket area.

Gasoline, lighter fluid or other flammable liquids and vapors should never be stored in the area of this grill or any other grill.

Before installation or service, disconnect the power supply to the work area by removing the fuse, "tripping" the circuit breaker, or unplugging the unit.

Keep any electrical supply cord and fuel supply hose away from any heated surfaces, sharp edges and dripping grease.

Be certain your grill is properly installed and grounded by a qualified technician in accordance with applicable codes. To guarantee the electrical safety of this grill, continuity must exist between the grill and an effective grounding system. It is imperative that this basic safety requirement be met. The manufacturer cannot be held responsible for damages caused by the lack or inadequacy of an effective grounding system.

Do not operate any grill with a damaged power cord or power plug, and do not operate any grill after the grill malfunctions or has been damaged in any manner. If this should occur, return the grill to the nearest authorized service facility for examination, repair or adjustment.

Be certain your grill is properly installed and grounded by a qualified technician in accordance with applicable codes. To guarantee the electrical safety of this grill, continuity must exist between the grill and an effective grounding system. It is imperative that this basic safety requirement be met. The manufacturer cannot be held responsible for damages caused by the lack of inadequacy of an effective grounding system.

This grill conforms to all uniform electrical safety codes and electrical grounding regulations. Install unit according to I.A.W. local codes or with National Electrical Code ANSI/NFPA 70 or CSA C22.1 in their absence.

UNPACKING UNIT:

Your Blaze Series Grill comes pre-assembled and requires very little setup. We do however; recommend the use of professional help during the installation of your unit as improper installation may affect your warranty. Remove the unit from the box along with all accessories and check that no damage has occurred to the unit or any parts. Various parts of the grill are shipped with protective packaging and supports which will need to be simply unpackaged and set in place. The charcoal crank is installed by screwing the threaded end into the opening on the face of the grill.

WARNING

GRILL INSTALLATION

This grill must be installed in accordance with all local codes.

Always keep the grill in a level position at all times

This grill is for outdoor use only. Never use in an enclosed or partially enclosed environment whether permanent or temporary structure. This grill should only be used in an open air space.

Installing the Grill in a BBQ Island

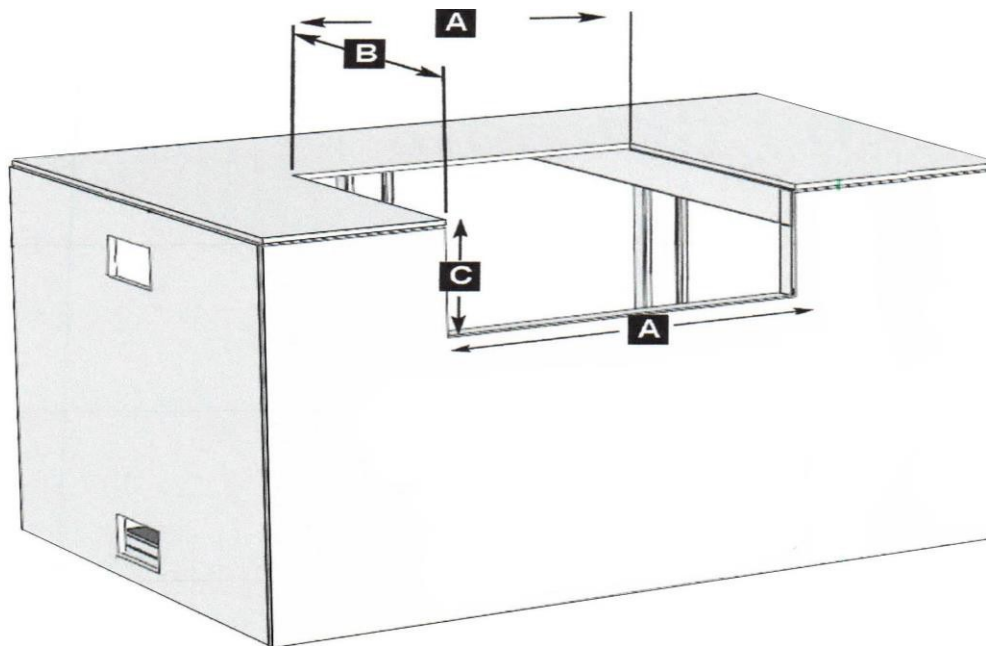
NOTE: “ ALWAYS” have equipment measured by Contractor before building.

You will need a second person to help you avoid damaging the grill or your grill island.

Before installing the grill in any island cut out, make sure that the opening is not bigger than the outside frame of the grill unit. The grill should rest on the lip of the frame. This self-hanging lip joins with the front panel of the grill giving a nice dressed look. Should your outdoor kitchen countertop extend over the face of the island itself, notching the countertop edges at the cutout for the grill will be necessary to allow the grill to completely slide against the face of the outdoor kitchen. Due to personal preferences of how much extra space to notch out, this should be completed with the grill on site to ensure the desired look is accomplished.

Keep your fingers away from where the grill will be supported on counter. Your fingers could become trapped and serious injury could occur. Check to make sure the grill is level and is supported around the entire outside edge. If the grill is not level or is unstable, use non-combustible shims under the outside lip to stabilize it. **The outdoor kitchen construction must be made completely out of non-combustible materials. The use of any insulated jacket with this charcoal grill is NOT allowed regardless of the grill fitting into the jacket (including the Blaze 4 burner gas grill jacket).** Please adhere to all required distances to combustibles in all directions around the non-combustible island structure. In the event non-combustible materials are used behind the grill, 5 inches behind the grill is necessary for the lid to open. A greater space behind the grill may be desirable to reduce staining of the non-combustible wall caused by the smoke exiting the grill. Always give the minimum required distances from combustible surfaces. Do not install underneath a combustible surface. This grill should only be used in an open air space.

BUILDING BBQ SPECIFICATIONS



ALL BBQ ISLANDS MUST BE MANUFACTURED FROM “NON-COMBUSTIBLE” MATERIALS.

Minimum clearance to adjacent combustible construction at 48” from sides & 48” from back

MODEL	DESCRIPTION	WIDTH (A)	DEPTH (B)	HEIGHT (C)
BLZ-4-CHAR	32 " Grill	30 5/8"	21 1/4"	8 1/2"

NOTE: Check with City and Fire department for Local Building Codes. A Permit may be required for Outdoor Kitchen Construction.

All outdoor kitchens should have ventilation throughout the island cavity to provide combustion air and prevent a buildup of heat. 5 inches of space is required behind the grill to allow the grill lid to open however this dimension will not meet the minimum space necessary for distances to combustible surfaces. Do not install underneath a combustible surface. This grill should only be used in an open air space.

FIRST TIME OPERATION

Caution: Never operate the grill unattended.

Prior to using your grill, verify that all of the following is correct:

- ✓ Minimum clearances are maintained.
- ✓ All packaging has been removed.
- ✓ All parts and components are properly in place.
- ✓ All exterior surfaces are cleaned with stainless steel cleaner.

Using the Grill

-Always follow the safety warnings in this manual while using the grill.

-It is recommend to allow the grill to burn for 20 minutes the first time without food in the grill for an initial burn off.

-Never load charcoal higher than the height of the charcoal tray.

-Always follow the instructions provided by the manufacturer of the lighter fluid or charcoal starter to ensure a safe starting of the coals.

-The adjustable charcoal tray is adjusted by the front crank. Always use gloves around the grill. The tray can be moved closer or further away from the cooking surface depending on the desired cooking scheme.

-Cooking grid hooks are provided to hold the grids out of the way to add charcoal or wood chips. Use extreme caution as the hooks, cooking grids, and entire grill will be hot during use. Always use gloves, protective clothing, and use caution when adding charcoal and wood.

-A rear adjustable vent is located at the back of the grill to make adjustments to the air flow during cooking. Use extreme caution as the vent handle, cooking grids, and entire grill will be hot during use. Always use gloves, protective clothing, and use caution when adjusting this vent.

WARNING: Every part of the grill will be hot during and for a period of time after use. Use caution, keep children away from the grill, and always use gloves and protective clothing during use.

Cleaning Your Grill

NOTE: You should clean your grill after each use to maintain the overall appearance over the life of your grill. After the first use, it is normal for your grill to become discolored in certain areas from the extreme heat.

- Always wait for the grill to be completely cool before cleaning.
- Never spray any cleaner or other liquids on the grill components when they are hot.

Exterior Cleaning

When cleaning your grill, always scrub and polish in the direction of the stainless steel grain. Wipe down the exterior of the grill to remove any splatter or grease. Do not use harsh abrasives. Use a stainless steel cleaner to clean the exterior surface for a polished look. To remove baked-on foods, use a fine to medium grit non-metallic abrasive pad with a stainless steel cleaner to avoid specks of grease collecting in the grain causing the appearance of rust. Before installing the cover, always allow the surface to dry. **DO NOT** cover a damp grill.

Cooking Grids

To clean after each use, lift the charcoal tray close to the cooking grids while the coals are still hot. This allows any food particles or grease drippings to burn away. When cool, brush grids with a stainless steel brush when grill is cooled to remove any remaining charred materials. Seasoning your cooking grids with palm oil provides a non-stick surface and seals the cooking grids for a desirable finish.

Charcoal Tray

Only clean the charcoal tray when the grill and charcoal has completely cooled. Brush and allow all of the ash and small charcoal pieces to fall into the ash tray. Larger unburned pieces could be retained in the tray for the next cookout.

Ash Tray

Clean the ash tray after each use. Failure to do so could result in a fire and causes excessive wear on the tray. Once the grill and coals have cooled completely, remove the tray by pulling it all the way out until it comes free. Dump the ashes in a non-combustible disposal can specifically made for charcoal. This protects against the potential of a fire from coals not fully extinguished. Use both hands and keep the tray level for safety. Clean the tray with hot soapy water, rinse thoroughly, and re-install. Using a layer of aluminum foil in the bottom of the ash tray can make clean up easier and extend the life of the tray. If using an oven cleaning agent, be sure to carefully follow the manufacturer's instructions to avoid damage to the stainless steel.

Warranty Registration

If you have purchased a Blaze Series Grill you must register your product within 30 days of purchase to validate the warranty and maintain your original receipt to get parts for the grill. You may register your grill at *blazegrills.com* by going under the Support tab, and then selecting Register your Product. You may also fill out page 15 and mail to the address located at the bottom of the form. The warranty is for original owners only and cannot be transferred to new owners. You must retain your sales slip or invoice.

Installation, repair and maintenance work should be performed by an authorized service technician. Work by unqualified persons could be dangerous and will void the warranty. The incorrect installation of the Blaze grill will void the warranty. Please call Blaze Outdoor Products for more information on correct installation of the grill.

Blaze Outdoor Products shall not be liable under this or any implied warranty for incidental or consequential damages and Blaze Outdoor Products liability is limited to the purchase price of the grill only. This warranty gives you specific legal rights, and you may also have other rights, which may vary from state to state. This warranty is applicable in the United States and Canada only. No one else is authorized to perform any obligations under this warranty.

High cooking temperatures, excessive humidity, chlorine, fertilizers, lawn pesticides and salt can affect the Stainless Steel components and for these reasons, the limited warranties DO NOT COVER DISCOLORATION OR RUST, unless there is a loss of structural integrity on the grill components.

WARRANTY ON PARTS:

- Cooking Grids - Lifetime
- Exterior Construction - Lifetime
- All other parts - 1 year

Contact your dealer directly for all warranty parts and questions. Consumers are responsible for all labor and shipping cost associated with warranty parts. Please make sure to have your sales receipt information accessible.

All replacement parts can be purchased through your dealer.

GRILL PARTS

Cooking Grid	BLZ-4CH-001	Cooking Grid Hook	BLZ-4CHAR-009
Temperature Gauge	BLZ-4CH-002	32" Firebox Cover	BLZ-4CHAR-010
Temperature Gauge Bezel	BLZ-4CH-003	Hood Roller Bearing	BLZ-4CHAR-011
32" Firebox	BLZ-4CHAR-004	Hood Rubber Pad	BLZ-4CHAR-012
32" Control Panel	BLZ-4CHAR-005	Hood Spacer	BLZ-4CHAR-013
32" Hood Handle	BLZ-4CHAR-006	32" Charcoal Tray	BLZ-4CHAR-014
Charcoal Tray Crank	BLZ-4CHAR-007	Logo Plate	BLZ-4CHAR-015
32" Hood	BLZ-4CHAR-008	32" Ash Tray	BLZ-4CHAR-016

NOTE THE FOLLOWING FOR YOUR RECORDS

Grill model: _____

Date purchased: _____

Date installed: _____

Blaze dealer's name & address: _____

Blaze dealer's phone number: _____

Blaze Product Registration

Please take a minute to let us know what you bought. This makes sure we keep you up to date and have your info ready if you ever need warranty help!

Name

First _____ **Last** _____

Email _____

Phone _____

Street Address _____

Address Line 2 _____

City _____ **State / Province / Region** _____

Zip / Postal Code _____ **Country** _____

What is the model number of the Blaze product purchased?

Where did you buy your Blaze product?

Mail To:

Blaze Outdoor Products

Warranty Registration

6620 Greenwell Springs

Rd.

Baton Rouge, LA 70805