

PROJECT NAME: _____

LOCATION: _____

SPECIFIER ITEM NO. _____ **QTY:** _____

ENCORE PART NO. _____

Encore[®] Single Hole Deck Mount Pre-Rinse Assembly with Add-On Faucet

KL50-1x00-AFx Series

KL50-1000-AF1	6" Add-On, Compression Valves
KL50-1000-AF2	8" Add-On, Compression Valves
KL50-1000-AF3	10" Add-On, Compression Valves
KL50-1000-AF4	12" Add-On, Compression Valves
KL50-1000-AF5	14" Add-On, Compression Valves
KL50-1000-AF6	16" Add-On, Compression Valves
KL50-1000-AF7	18" Add-On*, Compression Valves
KL50-1100-AF1	6" Add-On, Ceramic Valves
KL50-1100-AF2	8" Add-On, Ceramic Valves
KL50-1100-AF3	10" Add-On, Ceramic Valves
KL50-1100-AF4	12" Add-On, Ceramic Valves
KL50-1100-AF5	14" Add-On, Ceramic Valves
KL50-1100-AF6	16" Add-On, Ceramic Valves
KL50-1100-AF7	18" Add-On*, Ceramic Valves

*Double jointed add-on faucet



Approximate shipping weight - 13 lb
 Warranty - 3 years parts

Heavy duty pre-rinse assembly designed to withstand the demands of commercial operations.

Low-Flow Spray Valve

- 3 spray faces provided as standard - 3.3gpm Full Spray, 1.6gpm Flat Spray, and 1.2gpm Low-Flow Spray
- Spray head hook holds spray head away from work area when not in use
- Heat resistant, non-marring, impact resistant bumper will not fatigue under extreme operating temperatures

Encore Premium Hose Feature

- 3-ply nylon reinforced Santoprene[®] inner hose provides maximum durability
- Interlocking helical coils of stainless steel outer hose shroud protect inner hose
- Patented stainless steel strain relief spring transfers and distributes load stress to significantly improve hose life
- High pressure hydraulic fittings on hose ends tested to 400psi
- Washerless design incorporates temperature resistant O-rings to provide leak-proof seal on all hose assemblies and hose grips

Kool Grip[™] Hose Grip

- Reduces heat transfer to the hand; stays up to 30 degrees cooler than competitors' grips
- Ergonomic spray handle fits comfortably in even small hands and is easy to use

SPECIFICATIONS:

Single Hole Deck Mount Pre-Rinse Assembly to be Encore KL50-1000 Series in the following configuration:

_____	KL50-1000-AF1	6" Add-On, Compression Valves
_____	KL50-1000-AF2	8" Add-On, Compression Valves
_____	KL50-1000-AF3	10" Add-On, Compression Valves
_____	KL50-1000-AF4	12" Add-On, Compression Valves
_____	KL50-1000-AF5	14" Add-On, Compression Valves
_____	KL50-1000-AF6	16" Add-On, Compression Valves
_____	KL50-1000-AF7	18" Add-On*, Compression Valves
_____	KL50-1000-AF1	6" Add-On, Ceramic Valves
_____	KL50-1000-AF2	8" Add-On, Ceramic Valves
_____	KL50-1000-AF3	10" Add-On, Ceramic Valves
_____	KL50-1000-AF4	12" Add-On, Ceramic Valves
_____	KL50-1000-AF5	14" Add-On, Ceramic Valves
_____	KL50-1000-AF6	16" Add-On, Ceramic Valves
_____	KL50-1000-AF7	18" Add-On*, Ceramic Valves

*Double jointed add-on faucet

Pre-rinse hose to be constructed of 3-ply nylon reinforced Santoprene[®] permanently secured with high pressure hydraulic fittings pressure tested to 400 psi. Hose to be of washerless, leak-proof design, protected by interlocking helical stainless steel coils for maximum protection and flexibility. Patented stainless steel strain relief spring transfers load stress. Heavy-duty ergonomic gooseneck spring ensures proper hose position. A patented wall bracket with compression fitting is provided to facilitate installation and give 360° of support. Riser to include spray head hook to hold spray head away from work area when not in use. Spray head to be furnished with 3 interchangeable spray faces—3.3gpm* Full Spray, 1.6gpm* Water Saver Spray, and 1.2gpm* Low Flow Energy Saver Spray. Spray assembly to be equipped with Kool Grip[™] handle to reduce heat transfer to hand.

*All flow rates are @ 60psi

COMPLIES WITH:
 THE FEDERAL "REDUCTION OF LEAD
 IN DRINKING WATER ACT" -
 2011 - US SENATE BILL NO. S.3874
 NSF/ANSI 61/9, ANNEX G

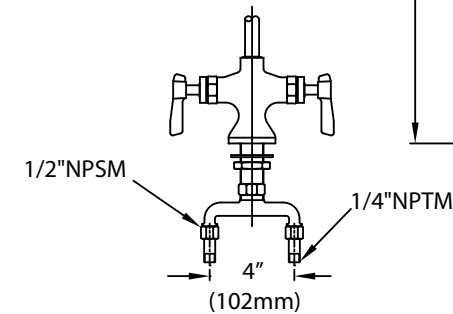
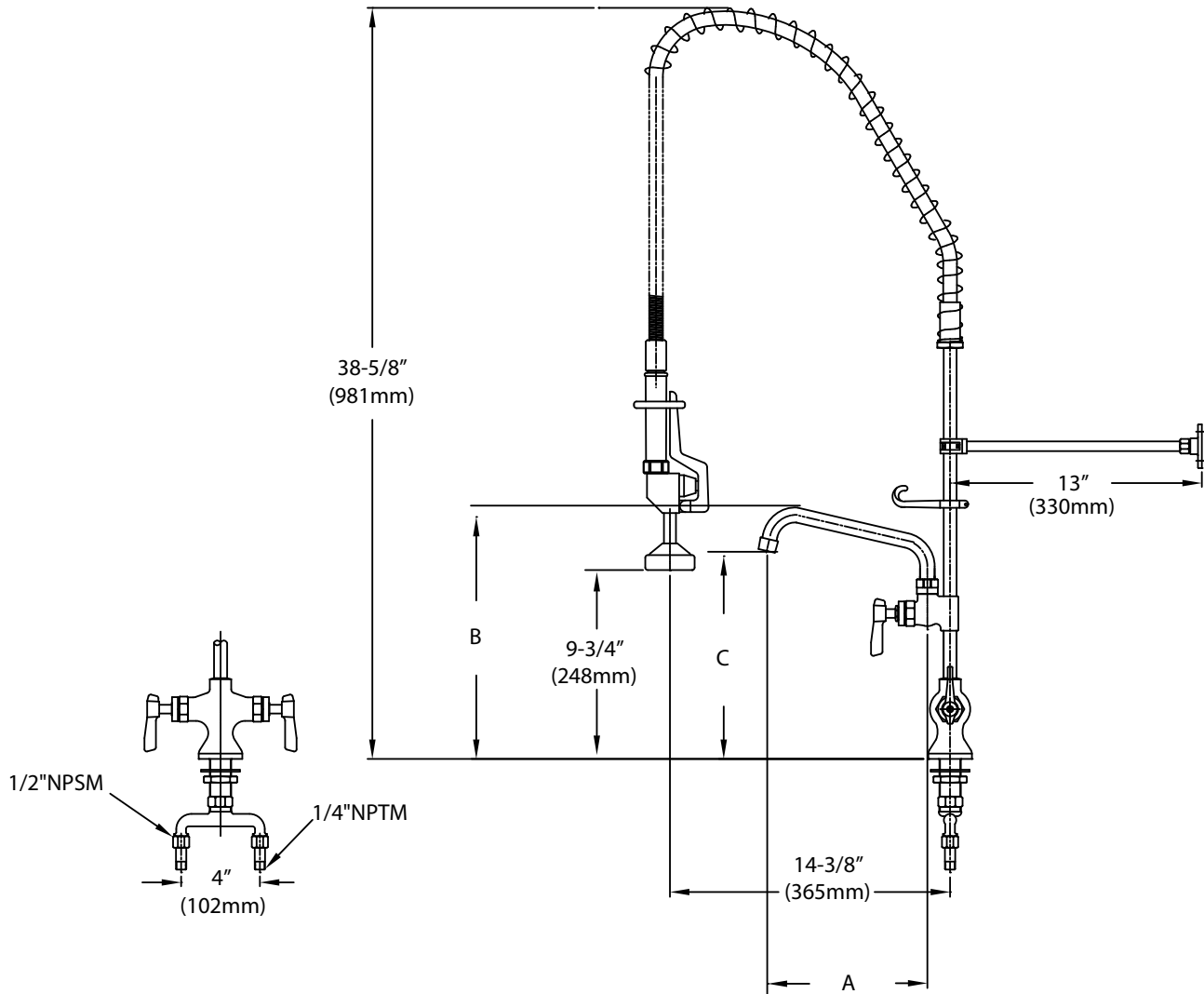


KL50-1x00-AFx Series

Single Hole Deck Mount Pre-Rinse Assembly with Add-On Faucet

PREMIUM PLUMBING PRODUCTS
Encore[®]

1890 Swarthmore Avenue, PO Box 2020, Lakewood, NJ 08701
 Phone: 800-526-3694, 732-363-4700, Fax: 732-364-8110
www.encoreplumbing.com • www.componenthardware.com



Model No.	A	B	C
KL50-1000-AF1	6" (152mm)	12-5/16" (313mm)	9-3/4" (248mm)
KL50-1000-AF2	8" (203mm)	12-3/4" (324mm)	10-1/4" (260mm)
KL50-1000-AF3	10" (254mm)	13-3/16" (335mm)	10-3/4" (273mm)
KL50-1000-AF4	12" (305mm)	13-5/8" (347mm)	11-1/4" (286mm)
KL50-1000-AF5	14" (356mm)	14-1/16" (358mm)	11-3/4" (298mm)
KL50-1000-AF6	16" (406mm)	14-1/2" (369mm)	12-1/4" (311mm)
KL50-1000-AF7	18" (457mm)	15" (380mm)	12-3/4" (324mm)
KL50-1100-AF1	6" (152mm)	12-5/16" (313mm)	9-3/4" (248mm)
KL50-1100-AF2	8" (203mm)	12-3/4" (324mm)	10-1/4" (260mm)
KL50-1100-AF3	10" (254mm)	13-3/16" (335mm)	10-3/4" (273mm)
KL50-1100-AF4	12" (305mm)	13-5/8" (347mm)	11-1/4" (286mm)
KL50-1100-AF5	14" (356mm)	14-1/16" (358mm)	11-3/4" (298mm)
KL50-1100-AF6	16" (406mm)	14-1/2" (369mm)	12-1/4" (311mm)
KL50-1100-AF7	18" (457mm)	15" (380mm)	12-3/4" (324mm)

1-1/2" (29mm) hole for deck is recommended to accommodate 1/2" supply nipples.
 1/2" NPT Female Inlets
 Operating Temperature: 40-180°F (5-83°C)
 Operating Pressure: 15-125psi

Dimensions shown in inches (mm) are for reference only and are subject to change.