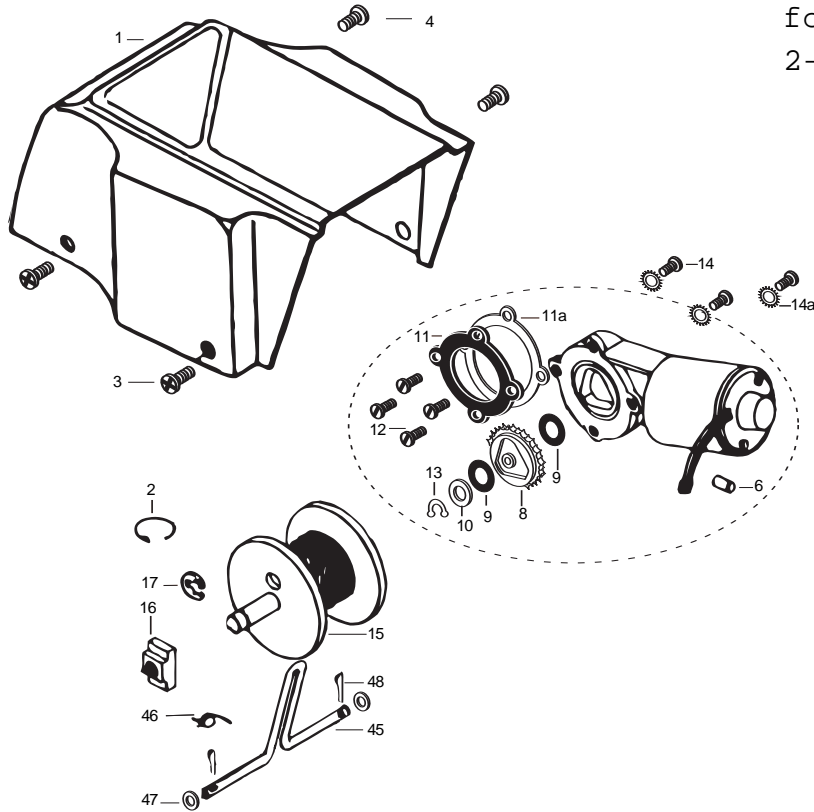


DeckHand 25R (with remote)

for use with "M" serial numbers

2-year warranty





| Item | Part    | Description                              |
|------|---------|--|
| 1    | 2370209 | Cover DH-25R                             |
| 2    | 2303005 | Pig Ring                                 |
| 3    | 2372121 | Screw-#8-18x 1-1/2 Stallgrd (2 .ea)      |
| 4    | 2372111 | Screw-#8-18x3/4 Stallgrd (2 .ea)         |
| ■    | 2377803 | Motor Assembly - DeckHand- Includes 6-13 |
| 6    | 2375400 | Shrink Tube 1/4x1-3/4 (2 .ea)            |
| 8    | 350-154 | Gear                                     |
| 9    | 990-077 | Washer - Nylatron (2 .ea)                |
| 10   | 990-075 | Washer - Steel                           |
| 11   | 410-015 | Cover- Housing                           |
| 11a  | 337-015 | Gasket                                   |
| 12   | 830-036 | Screw - 10-32x.375 (4.ea)                |
| 13   | 788-030 | Retaining Ring                           |
| 14   | 2223455 | Screw-#10-32x1/2 (3 .ea)                 |
| 14a  | 2261718 | Washer- Lock Star #10 Ext Tooth 3.ea)    |
| 15   | 2377900 | Spool includes 60' rope                  |
| 16   | 2370000 | Bearing-Spool                            |
| 17   | 2263010 | E-Ring 3/8 Dia Shaft                     |
| 18   | 2371900 | Base- Mounting E-Coat                    |
| 19   | 2374010 | Switch-Momentary Anchor                  |
| 20   | 2372130 | Screw-#4-40x3/4 PPH (2 .ea)              |
| 21   | 2373100 | Nut-Con/Mom Swt Anchor (2 .ea)           |
| 22   | 2372700 | Spring-Anchor                            |
| 23   | 2372900 | Grommet-Anchor Cover Short (2 .ea)       |
| 24   | 2372910 | Grommet-Anchor Cover Long (2 .ea)        |
| 25   | 2376300 | Wire- Routing Clip (2 .ea)               |
| ■    | 2994803 | Bag Assembly (includes 26-30)            |
| 26   | 2153501 | Bolt- Mounting 3500 w/stallgd (4 .ea)    |
| 27   | 2301720 | Mounting Washer-Rubber (6 .ea)           |
| 29   | 2151726 | Washer 5/16 STD SS (4 .ea)               |
| 30   | 2153100 | Nut 5/16 (4 .ea)                         |
| 34   | 2372100 | Screw, #8                                |
| 39   | 2374000 | Switch-Control Anchor                    |
| 40   | 2376500 | Switch Housing (DH- 25R)                 |
| 41   | 2376510 | Switch Plate                             |
| 42   | 2372150 | Screw-Switch Plate 6-20x1/2 (3 .ea)      |
| 43   | 2370700 | Control Wire (DH-25R)                    |
| 44   | 2370602 | Leadwire (DH- 25R)                       |
| 45   | 2371610 | Rope Guide                               |
| 46   | 2372710 | Spring-Rope Guide                        |
| 47   | 2151700 | Washer- Eye Shaft (2 .ea)                |
| 48   | 2372615 | Cotter Pin 3/32x3/4 (2 .ea)              |
| 49   | 2378204 | Circuit Breaker                          |
| 50   | 2372031 | Tubing- Heat Shrink                      |
| 52   | 2371412 | Connecting Cable 14ga                    |
| 53   | 2998411 | Davit Assembly                           |
| 54   | 2992312 | Large Roller Assembly                    |
| 55   | 2992306 | Small Roller Assembly                    |
| 56   | 2991503 | Sleeve Roller Assembly                   |
| 57   | 2370820 | Safety Chain Assembly                    |
| 57a  | 2370806 | Anchor Shackle                           |
| 58   | 2992620 | Safety Pin Assembly                      |
| 59   | 2774805 | Mounting Bolts and Nuts (4 each)         |

MOM/CON SWITCH  
INTERRUPTEUR MOM/CON

BLACK  
NOIR

GEAR MOTOR  
MOTEUR

RED  
ROUGE

JUMPER WIRE - RED  
FIL DE LIAISON - ROUGE

BLACK LEAD  
FIL NOIR

BLACK  
NOIR

(DOWN) (UP)  
DESCENTE VUE DE DESSOUS (UP)  
MONTEE

CONTROL SWITCH  
COMMANDE

TO BATTERY  
NEGATIVE -  
BORNE NEGATIVE  
DE LA BATTERIE

CONNECTING WIRE-RED  
FIL DE LIAISON - ROUGE

RED LEAD  
ROUGE

CIRCUIT BREAKER  
COUPE-CIRCUIT

BORNE  
POSITIVE  
DE LA  
BATTERIE TO BATTERY  
POSITIVE +

JUMPER WIRE

CÂBLE DE PONTAGE

BLACK  
NOIR

BLACK  
NOIR

