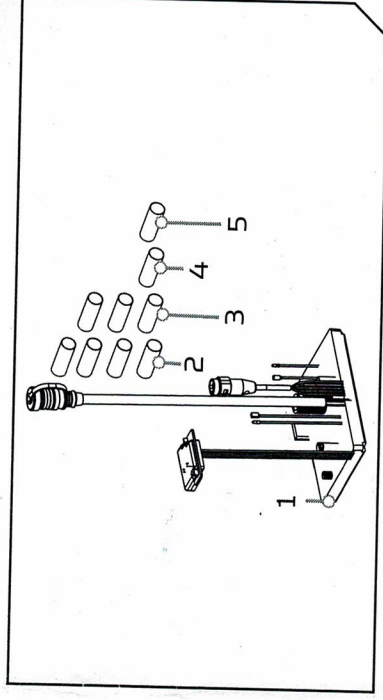


Item/Assembly	Part #	Description	Qty.
1	2324061	CONTROL BRD ASY, MAIN, 24/36V	1
2	2305401	SHRINK TUBE-.374 ID X 1.5"	4
3	2305410	SHRINK TUBE-.315 OD X 2.25"	3
4	2305415	SHRINK TUBE-.472 ID X 2.25"	1
5	2325401	SHRINK TUBE-3/4 ID X 2" W/ADHS	1



TOOLS AND RESOURCES REQUIRED

- #3 Phillips Screwdriver
- #2 Phillips Screwdriver
- #1 Phillips ScrewDriver
- Utility Knife
- Heat Gun



CAUTION

Always wear safety glasses and gloves. Disconnect all power to the trolling motor before beginning any work or maintenance. Johnson Outdoors Inc. is not responsible for any damage due to improper rigging or installation. If you do not have the skills, experience and tools to perform the following maintenance and repairs, we recommend you seek the help of a Minn Kota Authorized Service Center. A list of Authorized Service Centers can be found at <http://www.minnkotamotors.com/Authorized-Service-Providers/>. Or contact our Technical Service Department by email at service@minnkotamotors.com or, by dialing 800-227-6433.

REMOVAL

- Make sure that the Power Cables from the battery are disconnected, or that the breaker, if equipped, is "off".



WARNING

Make sure the motor is mounted on a level surface and is not connected to a power source.

- Use the #3 Phillips Screwdriver to remove the (4) 1/4-20 screws that retain the sideplates then move the sideplates out of the way.
- Grasp the Center Housing Cover by the spring tabs and lift it away from the base extrusion to expose the control board.
- Use the #1 Phillips Screwdriver to remove the (2) #6-20 Screws that retain the locking tab.



WARNING

Always cut away from yourself, use as little pressure as possible to avoid losing control of the knife or damaging motor components.

- Use the utility knife to cut the heat shrinks off of the various connections on the control board.
- Disconnect the wires from the control board.
- Use the #2 Phillips Screwdriver to remove the two screws that go through the base extrusion and retain the control board and the 1 screw that retains the strain relief for the power and foot pedal cables..
- Remove the old control board from the base extrusion.

INSTALLATION

- 1 a. Place the new control board in the base extension.
- b. Use the #2 Phillips Screwdriver to install the two screws that secure the control board to the base extension.

- 2 c. Position the appropriate heat shrinks on the wires prior to making the connections.
 - On Riptide motors the (4) 2305401 Heat shrinks go on the motor and power wires that connect directly to the board, the (3) 2305410 Heat Shrinks install over the bullet connectors, and the (1) 2305415 Heat Shrink installs on the blade connector.
 - On motors with an internal bonding wire the (1) 2325401 heat shrink installs over the connection where the black wire from the battery meter connects with the brown internal bonding wire and the black wire from the control board with the blade connector.

NOTE: No installation will use all of the included Heat Shrinks. Riptide Motors should have all of the electrical at the board sealed. Freshwater motors require one heatshrink to insulate the 3 way connection for the battery meter and bonding wire to the control board.

- 3 d. Following the included wiring diagram connect each of wires from the motor or the motor's accessories to the appropriate connections on the control board.



CAUTION

Failure to follow the wiring diagram may damage the new board. Electronic Parts are not returnable and have no warranty unless installed by an Authorized Service Provider

- 4 e. Place the Power Switch and Battery Meter in the Center Housing Cover, aligning the button and LEDs on each with the appropriate holes in the Center Housing Cover and engaging the outer detail in the retaining clip built into the Center Housing Cover.
- f. Position the Locking Tab so it covers the middle edge of the Battery Meter and the Power Switch, then use the #1 Phillips Screwdriver to install the (2) #6-20 screws that retain the Locking Tab.
- 5 g. Position the Power Leadwire and the Foot Pedal Connector cable in the strain relief.
- h. Use the #2 Phillips screwdriver to install the 1/4-20 screw that retains the strain relief and secures the Foot Pedal Connector and Power Leadwire.

6

- i. Use the heat gun to shrink the heat shrinks and seal the connections.
- On Riptide Motors verify the ends of the shrinks have closed down to fully seal the connection.

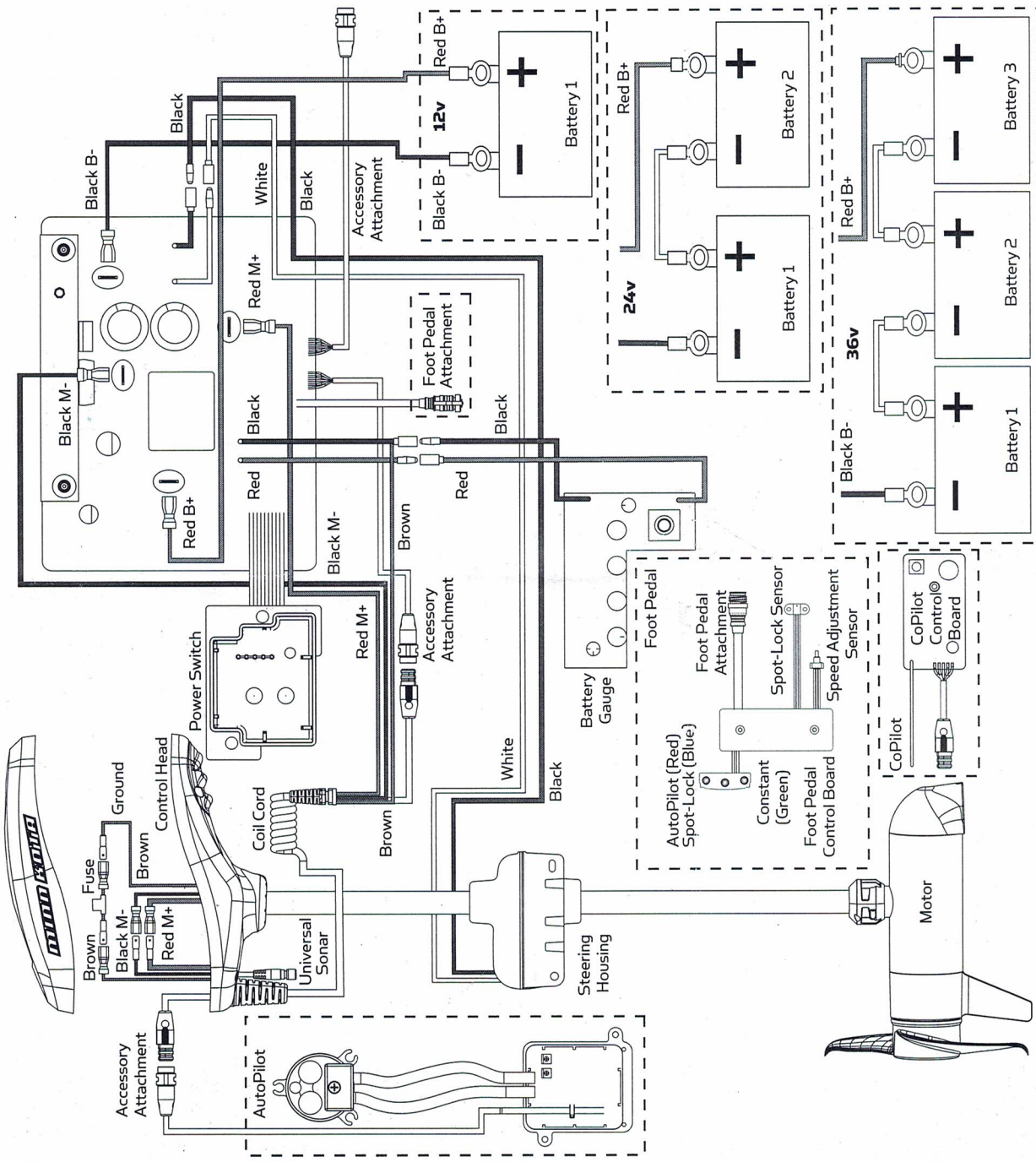
WARNING

Use care using the heat gun, do not handle the wires or shrinks until they have adequately cooled. Always wear gloves to reduce potential for injury.

7

- j. Complete the installation by placing the Center Housing Cover over the control board and pushing it down until the locking tabs engage the base extrusion.
- k. Position the sideplates in their original locations and use the #3 Phillips Screwdriver to install the 1/4"-20 screws that retain the sideplates.
- l. **THIS COMPLETES THE CONTROL BOARD INSTALLATION.**

WIRING DIAGRAM



CAUTION

This is a multi-voltage wiring diagram. Only connect your motor to the appropriate voltage for that motor.

For warranty information please visit minnkotamotors.com



Minn Kota Consumer & Technical Service
 Johnson Outdoors Marine Electronics, Inc.
 PO Box 8129
 Mankato, MN 56001

121 Power Drive
 Mankato, MN 56001
 Phone (800) 227-6433
 Fax (800) 527-4464



©2018 Johnson Outdoors Marine Electronics, Inc.
 All rights reserved.

minnkotamotors.com

Part #2324966

ECN 38748

Rev B

03/18