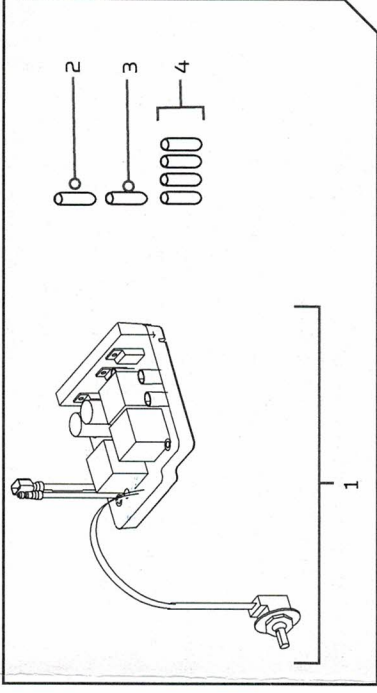


Item / Assembly	Part #	Description	Qty.
1	2184027	CONTROL BRD ASY, 24/36 TRXXIS	1
1	2184016	CONTROL BOARD ASSY, 12V TRXXIS	1
2	2305415	SHRINK TUBE-.472 ID X 2.25	1
3	2305410	SHRINK TUBE-.315 OD X 2.25	1
4	2305403	SHRINK TUBE -.500X1.0" ADHSV	4

NOTE: Use of Heat Shrinks not required when installing on Freshwater Motor



TOOLS AND RESOURCES REQUIRED

- #2 Phillips Screwdriver
- Heat Gun
- #2 Phillips Screwdriver
- Utility Knife
- 1/2" Wrench
- Needlenose Pliers



CAUTION

Always wear safety glasses and gloves. Disconnect all power to the trolling motor before beginning any work or maintenance. Johnson Outdoors Inc. is not responsible for any damage due to improper rigging or installation. If you do not have the skills, experience and tools to perform the following maintenance and repairs, we recommend you seek the help of a Minn Kota Authorized Service Center. A list of Authorized Service Centers can be found at <http://www.minnkotamotors.com/Authorized-Service-Providers/>. Or contact our Technical Service Department by email at service@minnkotamotors.com or, by dialing 800-227-6433.

REMOVAL

- Use the #2 Phillips screwdriver to remove the (6) screws that hold the control box cover onto the control box.
- Use the utility knife to cut the heat shrinks (if installed) on the board to be removed then remove the heat shrinks.
- Use the #2 Phillips Screwdriver to remove the 2 course thread screws that anchor the control board down to the control box. Set these screws aside they will be reused.
- Use the #2 Phillips Screwdriver to remove the 2 machine screws that hold go through the back of control box and secure the transfer bar of the control board to the control box. Set these screws aside, they will be reused.
- Remove the Handle Assembly and Control Board from the Control Box.
- Use the 1/2" wrench to remove the nut from the Control Board's Potentiometer (blue knob); once the nut is removed remove the Fender washer and set it aside, this Fender Washer will be reused.



WARNING

Always cut with the knife blade pointing away from yourself. Take care to not damage the wire insulation.

INSTALLATION

2

- a. Discharge any Static on yourself by touching a grounded piece of metal.
- b. Remove the New board from its packaging.
- c. Use the 1/2" Wrench to remove the nut on the potentiometer of the new board, install the fender washer, re-install the nut on the potentiometer, and use the 1/2" wrench to tighten the nut.
- d. Position the board in the control box, slide the (4) 2305403 Heat Shrinks (if used) on the motor and power leads, install the motor and power leads onto the Control Board in the locations indicated by the wiring diagram below.
- e. Slide the 2305415 Heat Shrink (larger of the two long shrinks)(if used) over the black lead going to the battery meter, Slide the 2305410 Heat Shrink over the red lead to the battery meter, make the battery meter connections.

3

- f. Place the control board in the control box routing the wires so they are not pinched and do not have excess wire above the control board. Start the two machine screws through the control box and into the transfer bar on the control board.
- g. Tighten the machine screws and install the two coarse thread screws that secure the control board down to the control box.
- h. Place the detent spring over the shaft of the potentiometer, slide the yoke of the handle assembly onto the D shaft of the potentiometer, place the potentiometer, detent spring, and handle assembly in the control box with the handle bearings in the recessed detail in the control box and the fender washer on the potentiometer captured in the slot in the uprights that secure the potentiometer.
- i. Position the heat shrinks so they fully cover the connections, use the heat gun to seal the heat shrinks down, install the control box cover.

For warranty information please visit minnkotamotors.com



minnkotamotors.com

Part #2184911

Minn Kota Consumer & Technical Service
Johnson Outdoors Marine Electronics, Inc.
PO Box 8129
Mankato, MN 56001

ECN 38747

121 Power Drive
Mankato, MN 56001
Phone (800) 227-6433
Fax (800) 527-4464

JOHNSON
OUTDOORS

©2018 Johnson Outdoors Marine Electronics, Inc.
All rights reserved.

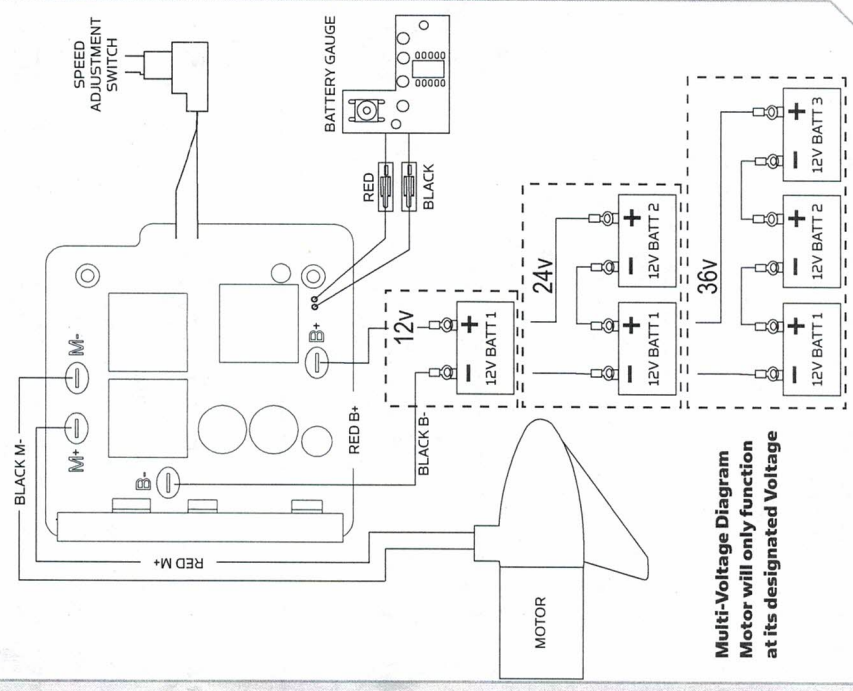
Rev B

03/18

CAUTION

Ground yourself by touching grounded piece of metal prior to removing the new board from its package. Static Discharge may damage the new board.

MOTOR WIRING DIAGRAM



Multi-Voltage Diagram
Motor will only function
at its designated Voltage