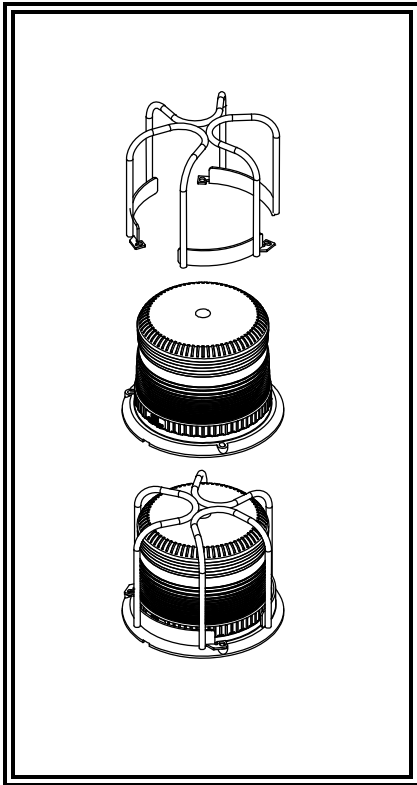




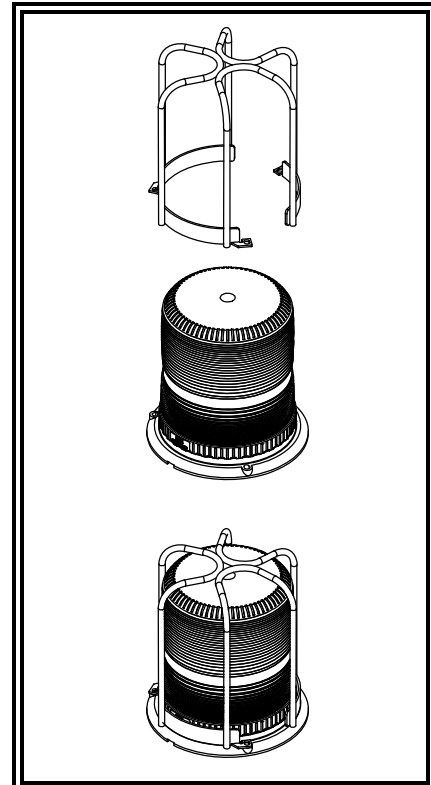
Installation Instructions

Branch Guard

Model A6050BG
(Fits Model 6550)



Model A6070BG
(Fits Model 6570)



Installation:

1. Remove existing mounting screws.
2. Place [branch guard](#) over strobe lens as shown and line up with the 3 mounting holes in the base.
3. Install branch guard with the screws removed in step 1.