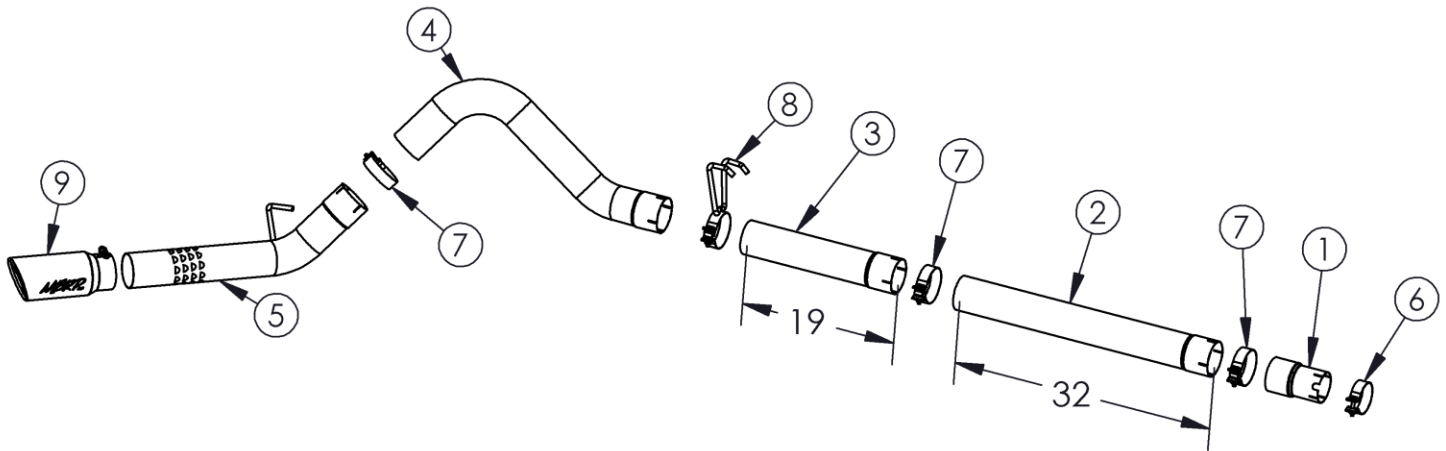


**S6242**

**08-10 FORD F250/F350/450 6.4L  
POWERSTROKE, PARTICULATE FILTER BACK,  
4" SINGLE SIDE**

**MBRP**  
INC.  
**PERFORMANCE EXHAUST**



1. 3.5" TO 4" ADAPTER
2. 32" EXTENSION PIPE
3. 19" EXTENSION PIPE
4. OVER-AXLE PIPE
5. TAIL PIPE
6. 3.5" BAND CLAMP
7. 4" BAND CLAMP (3 PCS)
8. 4" BAND HANGER CLAMP
9. EXHAUST TIP

## **PLEASE READ BEFORE STARTING INSTALATION**

**While MBRP Inc. has made every effort to ensure that all components of this system are of superior quality and properly packaged it is the installer's responsibility to ensure the following before removal of the factory exhaust:**

- that ALL components shown above are present.
- that ALL mating components fit together.
- that there are no damaged components.
- that the system you have purchased is appropriate for your vehicle year, model and configuration.
- that the system will not interfere with any modifications previously installed or planned.
- that you have read and understand these instructions.

If you have any questions or are uncertain about any aspect of the installation of this system to your vehicle please contact your dealer before commencing installation.



**Figure 1**



**Figure 2**

### Removal of Stock System:

1. Apply some penetrating lubricant liberally to all exhaust fasteners, hangers and rubber insulators.
2. Loosen the nut on the band clamp located behind the particulate filter using a 15mm wrench or socket.  
Refer to Figure 1.
3. Cut the exhaust as shown in Figure 2. Remove the muffler and tail pipe from the OEM rubber insulators. Remove from the vehicle.

### Installation of MBRP Inc. Performance Exhaust:

1. The Extension Pipes provided is pre-cut for the crew cab long bed and crew cab short bed configurations. Cut the Extension Pipes to the required length allowing for a 3" overlap, for the vehicle being installed to.

Refer to Table below.

WHEELBASE	19" EXTENSION REQUIRED	CUT REQUIRED	COMBINED LENGTH OF PIPES
REGULAR CAB	NO	YES	13"
EXTENDED CAB SHORT BED	NO	YES	17.75"
CREW CAB SHORT BED	NO	NO	32"
EXTENDED CAB LONG BED	YES	YES	33.75"
CREW CAB LONG BED	YES	NO	48.25"



**Figure 4**

2. Slide the 3 ½” Band Clamp over the 3 ½”to 4” Adapter and install it to the particulate filter.

Refer to Figure 4.

3. Slide a 4” Band Clamp onto the end of the 3 ½”to 4” Adapter install the Extension Pipe/s as required.

Refer to Figure 4.

4. Install the Over-Axle Pipe onto the Extension Pipe. Install the 4” Band Hanger into the OEM rubber insulators. The clamp should remain loose enough for adjustability.

5. Slide a 4” Band Clamp onto the end of the Over-Axle Pipe install the Tail pipe.

6. Install the Exhaust Tip. Align the exhaust as required. Starting at the front of the exhaust, tighten all clamps and connections.

7. Check along the whole length of the exhaust system to ensure that there is adequate clearance around the spare tire, fuel and brake lines or any wiring. If any interference is detected relocate or adjust.



**Congratulations!** You are ready to begin experiencing the improved power, sound and driving experience of your MBRP Inc. performance exhaust system. We hope you enjoy your purchase.