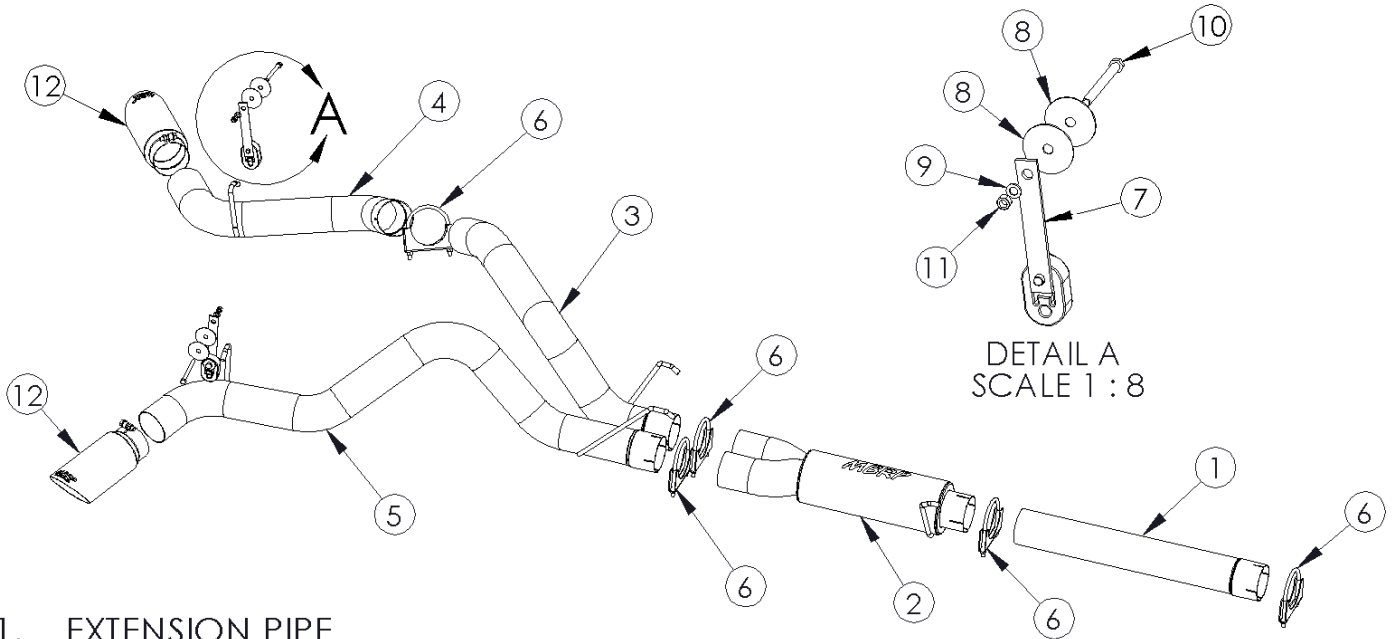


**S6110**

'04.5-'07 DODGE CUMMINS 5.9L,  
2500/3500, "COOL DUALS" CAT BACK

**MBRP**  
INC.

**PERFORMANCE EXHAUST**



1. EXTENSION PIPE
2. HIGH FLOW DUAL MUFFLER
3. DRIVER'S OVER AXLE PIPE
4. DRIVER'S TAIL PIPE
5. PASSENGER TAIL PIPE
6. 4" CLAMP (5 PCS)
7. HANGER ASSEMBLY (2 PCS)
8. 7/16" FENDER WASHER (4 PCS)
9. 3/8" LOCK WASHER (2 PCS)
10. 3/8" x 4" BOLT (2 PCS)
11. 3/8" NUT
12. EXHAUST TIP (2 PCS)

## PLEASE READ BEFORE STARTING INSTALATION

**While MBRP Inc. has made every effort to ensure that all components of this system are of superior quality and properly packaged it is the installer's responsibility to ensure the following before removal of the factory exhaust:**

- that ALL components shown above are present.
- that ALL mating components fit together.
- that there are no damaged components.
- that the system you have purchased is appropriate for your vehicle year, model and configuration.
- that the system will not interfere with any modifications previously installed or planned.
- that you have read and understand these instructions.

If you have any questions or are uncertain about any aspect of the installation of this system to your vehicle please contact your dealer before commencing installation.



### **Removal of stock system:**

1. Apply a penetrating lubricant liberally to all exhaust fasteners, hangers and rubber insulators.
2. Remove the exhaust system from the rubber insulators and remove all of the clamps from the catalytic converter back.
3. Separate the slip joint behind the muffler and remove the tail pipe. Next, separate the slip joint located behind the catalytic converter and remove the muffler and extension pipe.

### **Installation of MBRP Inc. Performance Exhaust:**

1. Install the **Extension Pipe** onto the catalytic converter. The **Extension Pipe** will fit the Quad Cab long bed or Mega Cab truck as is. The Quad Cab Short Bed requires the extension pipe to be cut to 8.5" overall length.
2. Install the **Hanger Clamp** over the **Extension Pipe**. Then install the **Muffler** over the **Extension Pipe**.
3. Install the **Over Axle Pipe** onto the **Muffler** outlet closest to the drive shaft. Insert the pre-welded hanger on the **Over Axle Pipe** into the OEM rubber hanger located directly above the **Muffler** outlet.
4. Install the **Driver Side Tail Pipe** by feeding it around the outside of the shock and connecting it to the **Over Axle Pipe**.
5. Using the factory hole located in the frame, found directly above the **Tail Pipe** hanger, attach one of the **Rubber Hangers** provided using the supplied hardware. Hang the **Tail Pipe** using the installed **Rubber Hanger**.
6. Install the **Passenger Side Tail Pipe** from the rear of the truck, over the axle and attach it to the remaining **Muffler** outlet.
7. Using the factory hole located in the frame, found directly above the **Tail Pipe** hanger, attach the remaining **Rubber Hanger** provided using the supplied hardware. Hang the **Tail Pipe** using the installed **Rubber Hanger**.
8. Install the provided **Clamps** around the pipes where required. Adjust the **Tail Pipes** and check along the whole length of the exhaust system to ensure there is adequate clearance around the fuel and brake lines or any wiring. If any interference is detected relocate or adjust.
9. Install and adjust the **Tips** to suit. Using a 17mm wrench tighten lock bolt located on each of the **Tips**.
10. Ensure that the exhaust is in place before tightening clamps. Start at the front of the exhaust system and begin tightening all connections.

**Congratulations!** You are ready to begin enjoying the improved performance and driving experience of your MBRP Inc. performance exhaust system. We hope you enjoy your purchase.