

INSTALLATION GUIDE

AMP RESEARCH Power Step

MADE IN USA

APPLICATION

Ford Super Duty - Crew Cab

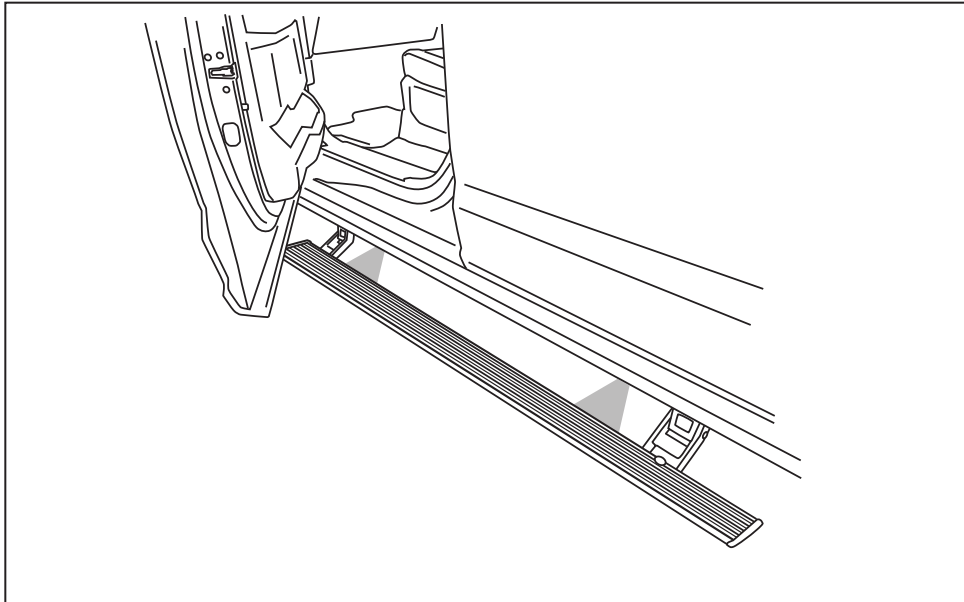
MODEL YEAR

2017 - 2019

AMP PART#

77235-01A

Note: The application works only on the Crew Cab model Vehicles.



INSTALLATION TIME

3-5 Hours

Professional installation recommended

SKILL LEVEL



4= Experienced

TOOLS REQUIRED

- Safety goggles
- Measuring tape
- 10 mm socket
- 13 mm socket
- 1/2" socket
- Ratchet wrench and extension
- Wire crimpers
- Wire stripper / cutter
- 3/16" hex key wrench (allen wrench)
- 4mm hex key wrench (allen wrench)
- Electrical tape
- Weather proof caulking (silicone sealer)
- Silicone spray

WARRANTY

5-Year Limited Warranty

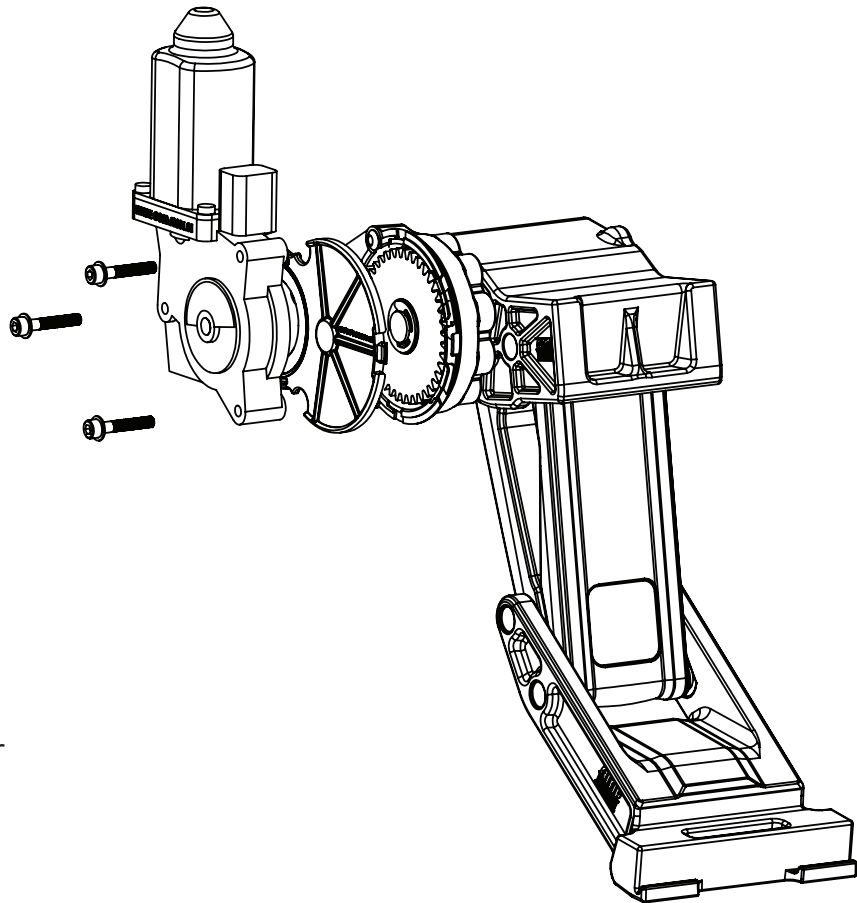
AMP RESEARCH TECH SUPPORT 1-888-983-2204 (Press 2) Monday - Friday, 6:00 AM - 5:00 PM PST

Invented, engineered and manufactured exclusively by AMP Research in the USA. May be covered by one of the following patents: 6,641,158; 6,830,257; 6,834,875; 6,938,909; 7,055,839; 7,380,807; 7,398,985; 7,584,975 ©2012 AMP Research. All rights reserved. Printed in USA.

INSTALLATION GUIDE

Attaching motor to Linkage assembly.

EXPLODED VIEW



- Motor
- Socket cap screw
- Washer
- Drive Gear Housing Cover

CAUTION: HANDLE WITH CARE.

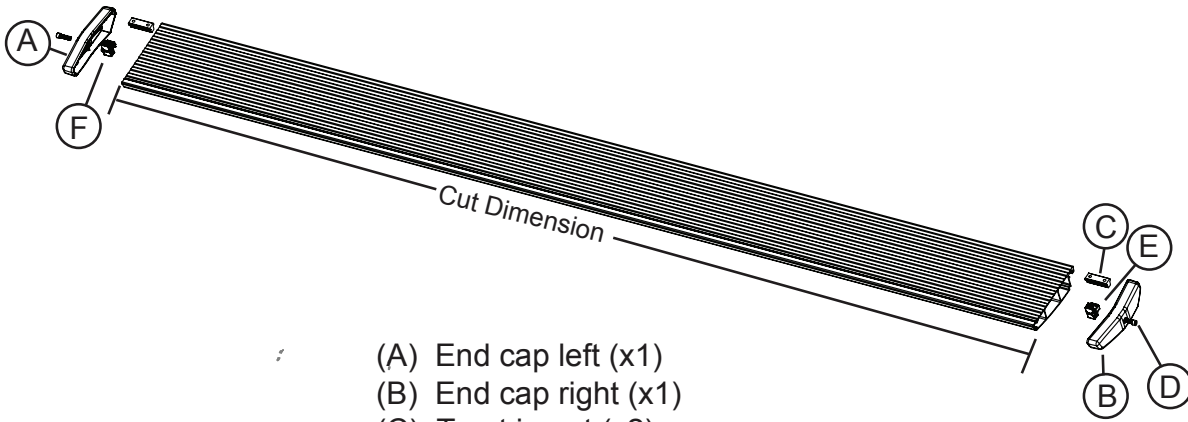
To ensure our customers receive all components with full integrity, we pack the motors separate from their linkage assemblies. This requires that the installer position and fasten the motor before continuing with the install. Please follow the instructions below and handle the assembly carefully.

CAUTION: Dropping the assembly or any excessive impact MAY cause damage to the motor.

Instructions:

1. Position the gear cover in place as shown if not already in place.
2. Seat motor into position on the three mounting bosses. This may require an adjustment of the gear by moving the swing arms.
3. After seating into place, fasten the motor with the three motor mount screws with 4mm Hex Head. Tighten screws to 36 in-lbs (4N-m). **Do not over torque.**

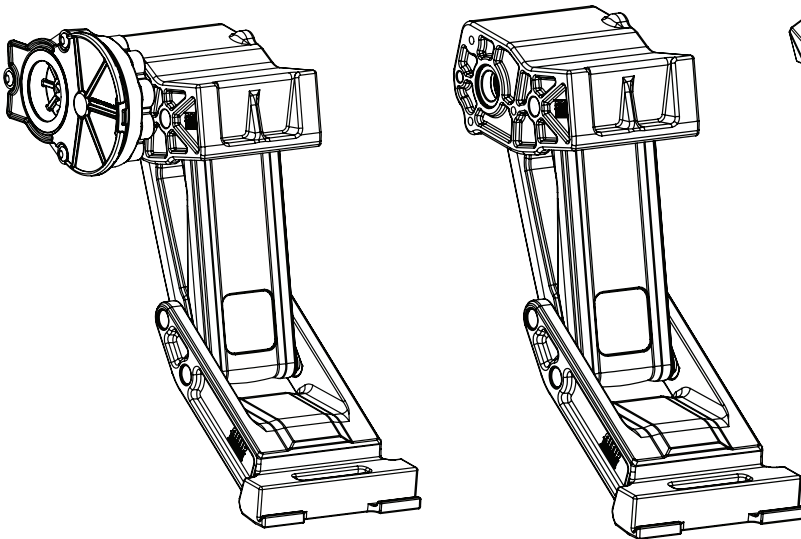
AMP RESEARCH POWERSTEP™ – FORD SUPER DUTY



- (A) End cap left (x1)
- (B) End cap right (x1)
- (C) T-nut insert (x2)
- (D) Socket cap screw (x2)
- (E) End cap wedge right (x1)
- (F) End cap wedge left (x1)

1 x2

Running board assembly

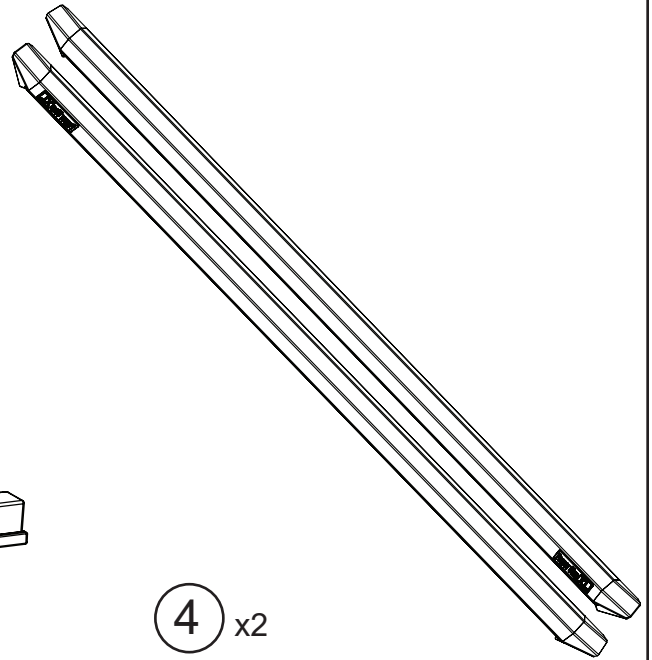


2 x2

Motor Linkage assembly

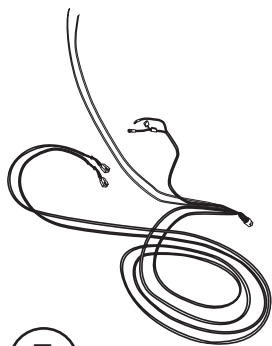
3 x2

Idler Linkage assembly



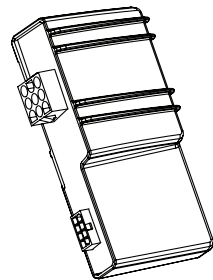
4 x2

Rail Assembly



5

Wire harness



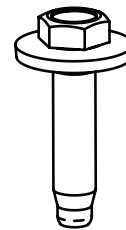
6

Controller STA



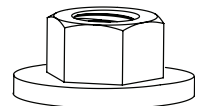
7 x2

Posi-Lock™



8 x8

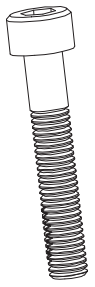
M8 Hex Bolt w
Conical washer



9 x16

M8 Nut w Conical
washer

AMP RESEARCH POWERSTEP™ – FORD SUPER DUTY



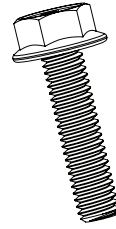
10 x6
M5 Hex Bolt



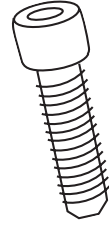
11 x6
M5 Washer



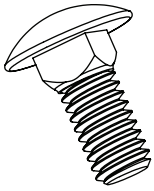
12 x4
M6 Flange Bolt



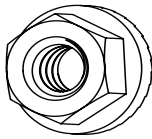
13 x6
5/16 Flange Bolt



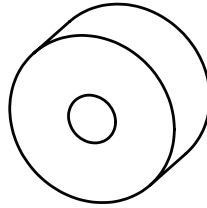
14 x8
Socket Cap Screw



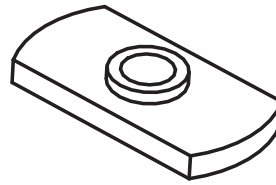
15 x10
5/16-18
Carriage Bolt



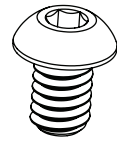
16 x16
5/16-18
Flange nut



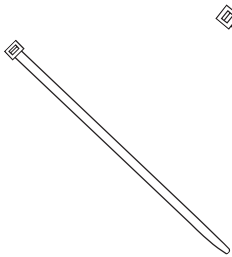
17 x4
Upper Mount
Spacer



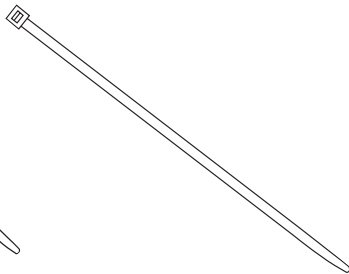
18 x4
Nut Plates



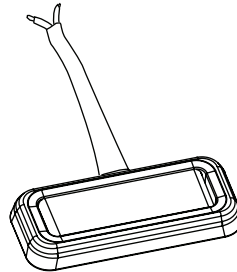
19 x4
Button Head
Bolt



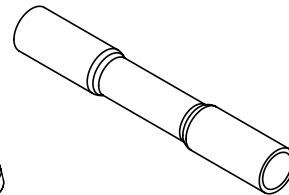
20 x20
Cable tie (7")



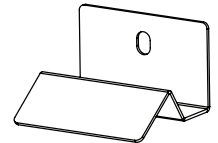
21 x2
Cable tie (11")



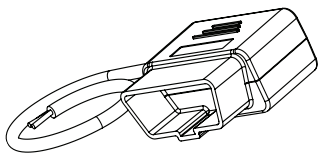
22 x4
LED Lamp



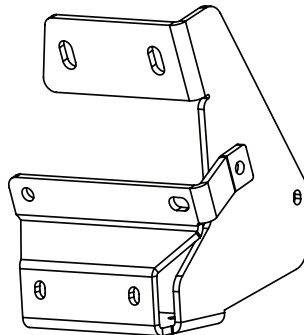
23 x8
Butt Connector



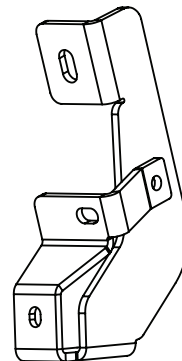
24 x4
LED Light Bracket



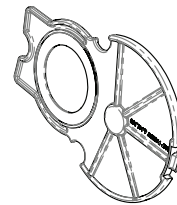
25
OBD II Plug



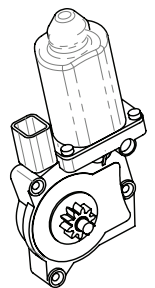
26 x4
Linkage Mounting
Bracket



27 x2
Rail Mounting
Bracket



28 x2
Gear Cover

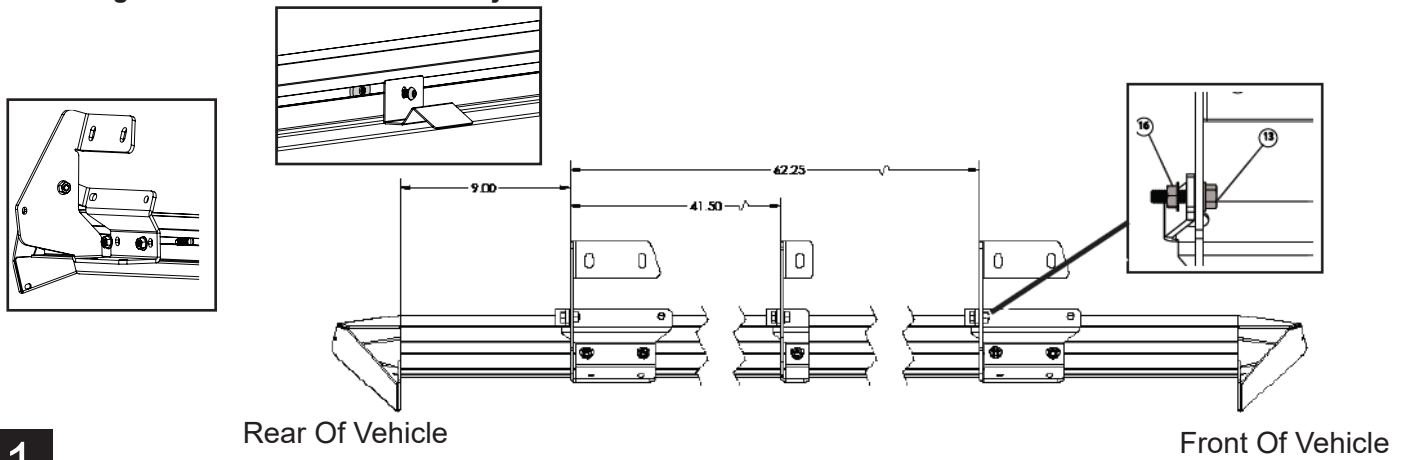


29 x2
Motor

AMP RESEARCH POWERSTEP™ – FORD SUPER DUTY

Insert and position Carriage bolts (15) into slot on rail (4). Insert from either end of rail. Using Flange Nuts (16) provided assemble Brackets 2x (26) & 1x (27) onto the rail (4). Next install Flange Bolt (13) and Flange Nut (16) onto bracket tab. Driver side shown. Dimensions shown are for reference. Insert threaded Nut Plate onto rail pocket, to attach light brackets into position shown.

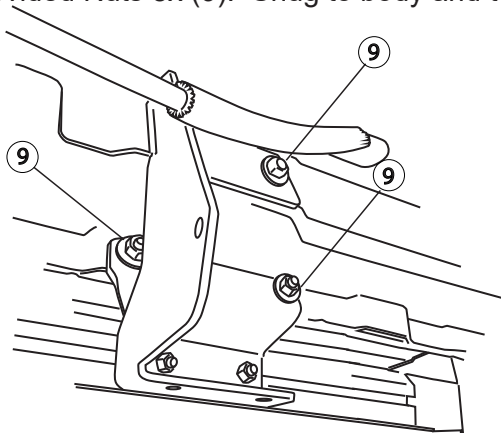
Do not tighten this will allow for rail adjustment when mounted onto vehicle.



1

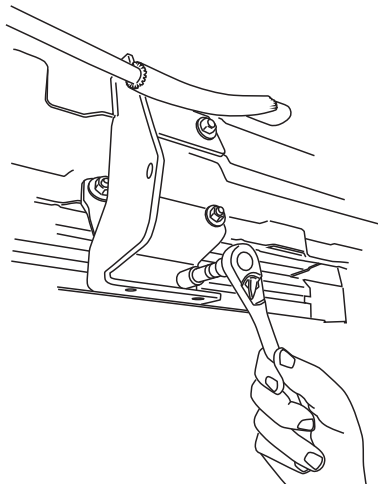
Note: Badge on rail sits towards the rear of the vehicle!

Set rail up into position. Starting with the rear bracket work towards the two front brackets. Slide Brackets over captive studs and use provided Nuts 8x (9). Snug to body and torque to 16 ft-lbs.



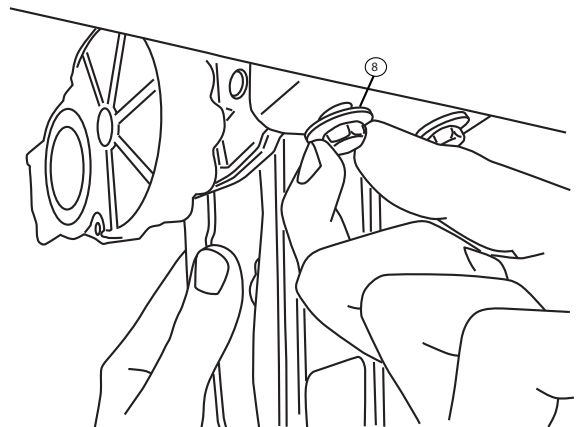
2

Start from rear of vehicle and Torque 5x Flange Nuts (16) to 16 ft-lbs.



3

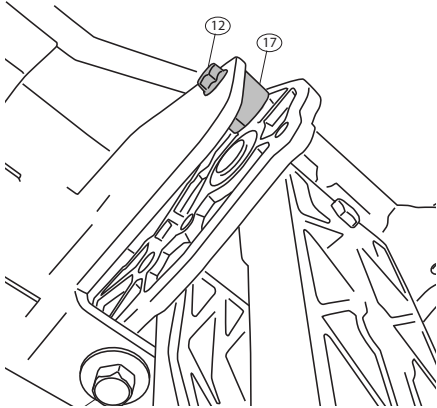
Thread supplied bolts 2x (8) into Front Drive Linkage. Repeat step for Rear Idler Linkage. Do not tighten.



4

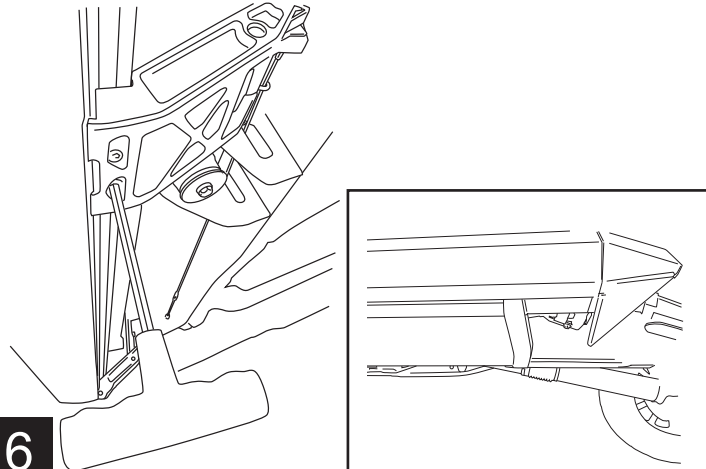
AMP RESEARCH POWERSTEP™ – FORD SUPER DUTY

Install provided spacer (17) and M6 bolt (12) into upper mount as shown on both the Drive and Idler linkages. Do not tighten.



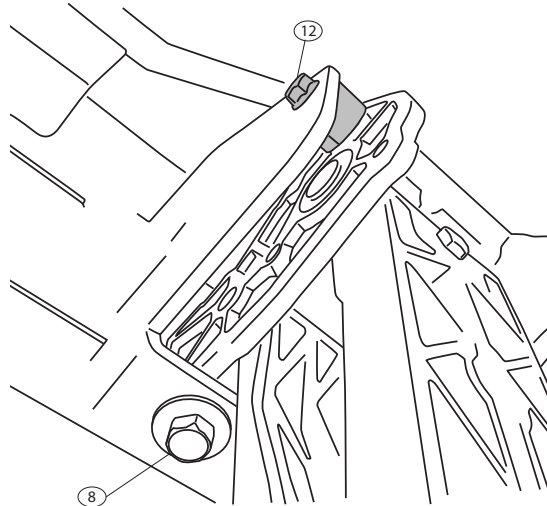
5

Slide mounting T-nut into position, Center board in rail pocket. Tighten fasteners to 10 ft-lbs.



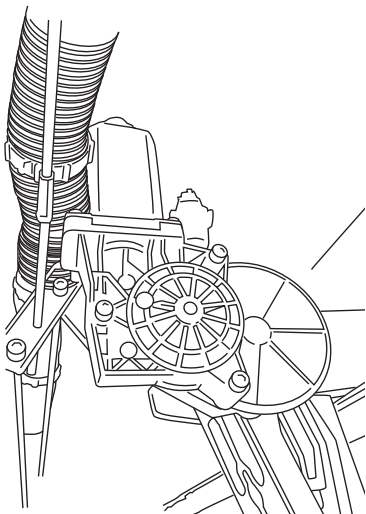
6

Using a 13mm socket Torque linkage bolts 4x (8) from step 5 to 16 ft-lbs Next use a 10mm socket, torque linkage spacer bolt 2x (12) from step 6 to 8 ft-lbs. Once linkages are tight cycle board to verify steps deploy under own weight.



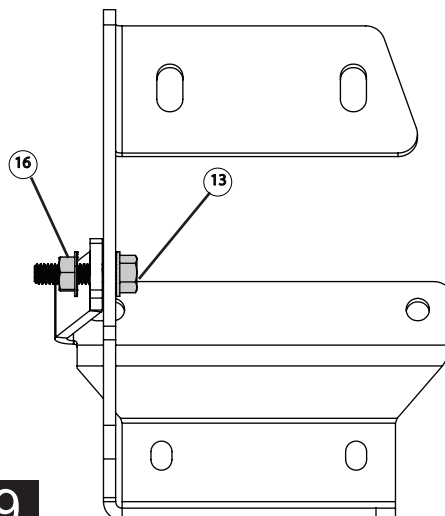
7

Attach motor to harness. Using a 4mm hex Torque to 36 in-Lbs.



8

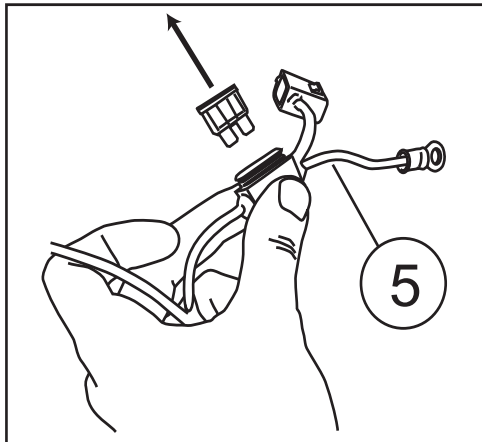
Torque bolts on mounting brackets to 16ft-lbs.



9

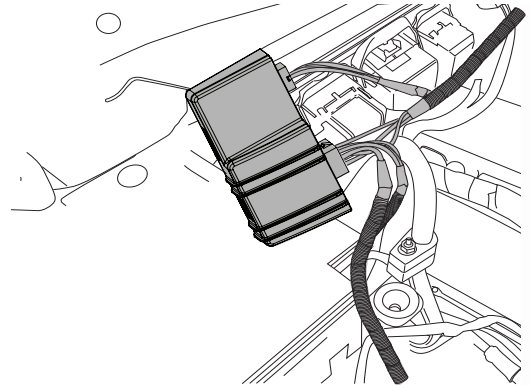
AMP RESEARCH POWERSTEP™ – FORD SUPER DUTY

Remove fuse from wire harness



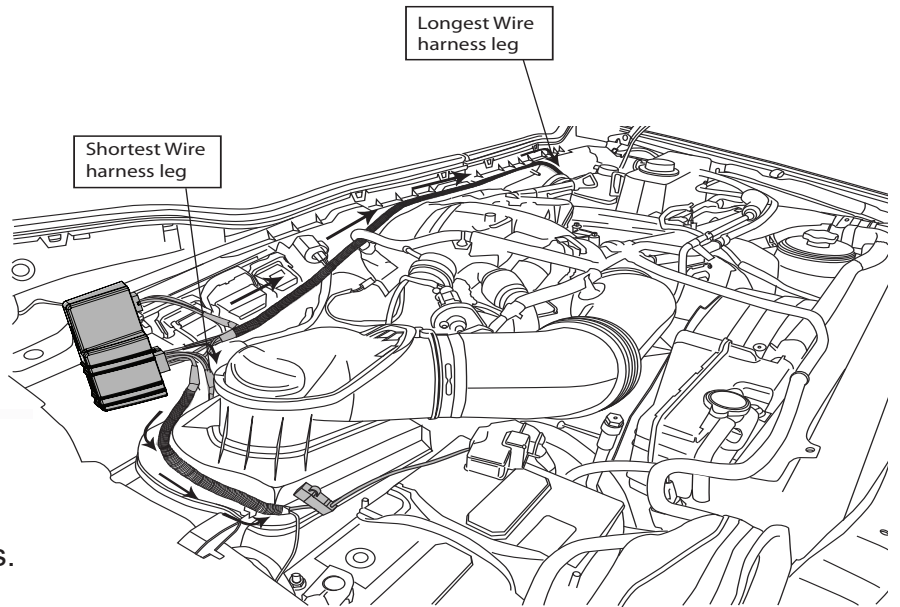
10

Attach wire harness to controller (make sure connector locking tabs fully engage). Mount controller with the two 11" tie wraps to factory conduit, just forward of battery.



11

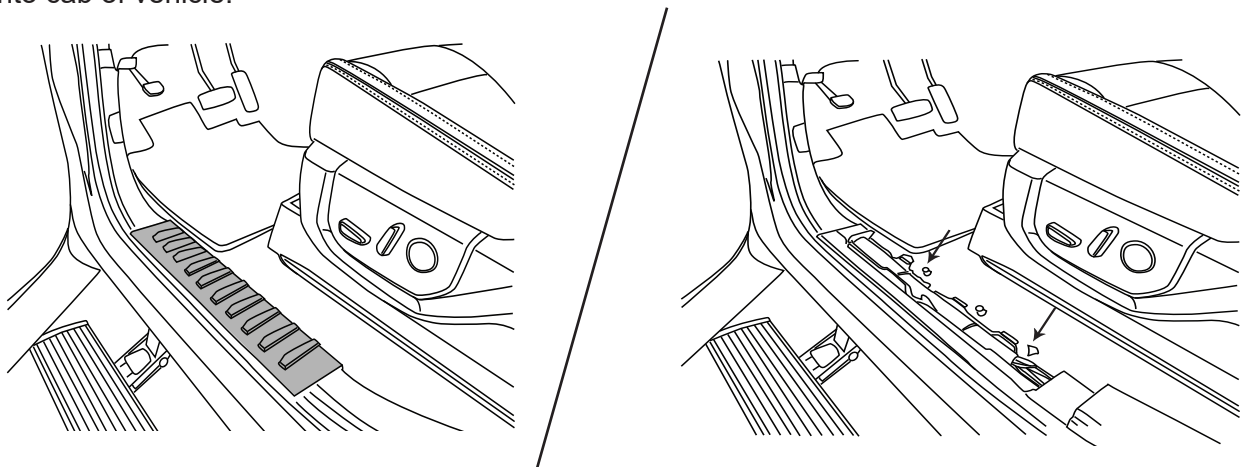
Connect red and black power leads to battery. Red lead goes to positive. Route shorter leg of harness down passenger-side wheel well and longer leg of harness down along driver side wheel well.



12

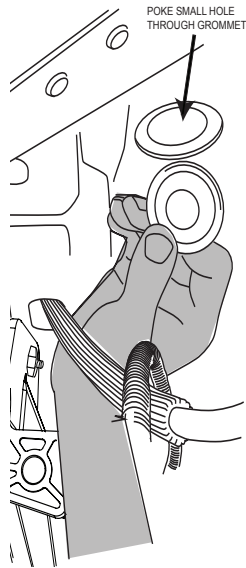
Secure with tie wraps.

Remove driver side front kick panel and door sill plate. Roll back carpet to access hole for passing trigger wires into cab of vehicle.



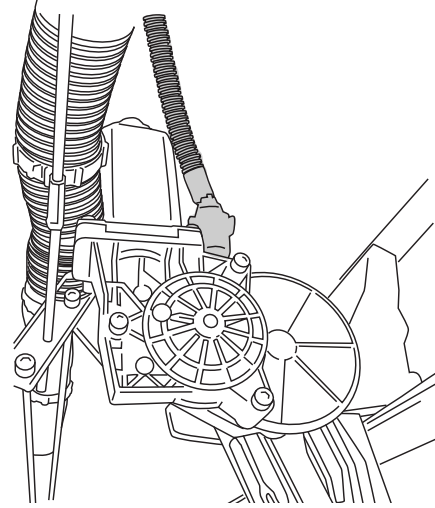
13

Remove grommet in floor panel above front linkage on driver side. Poke small hole into grommet and thread the two trigger wires through and up into the cabin of vehicle. Seal grommet with silicone sealer.



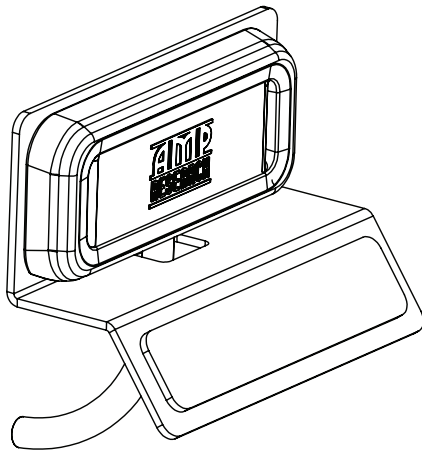
14

Connect harness to motor. Secure harness with tie wraps.



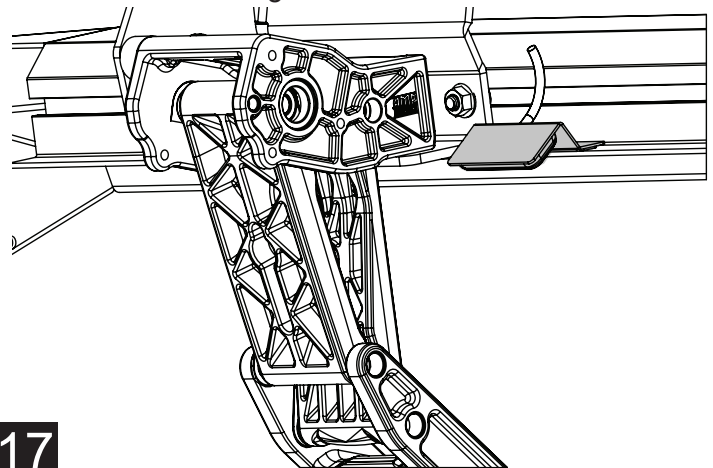
15

Affix LED lamp (20) to LED Bracket (22) as shown..



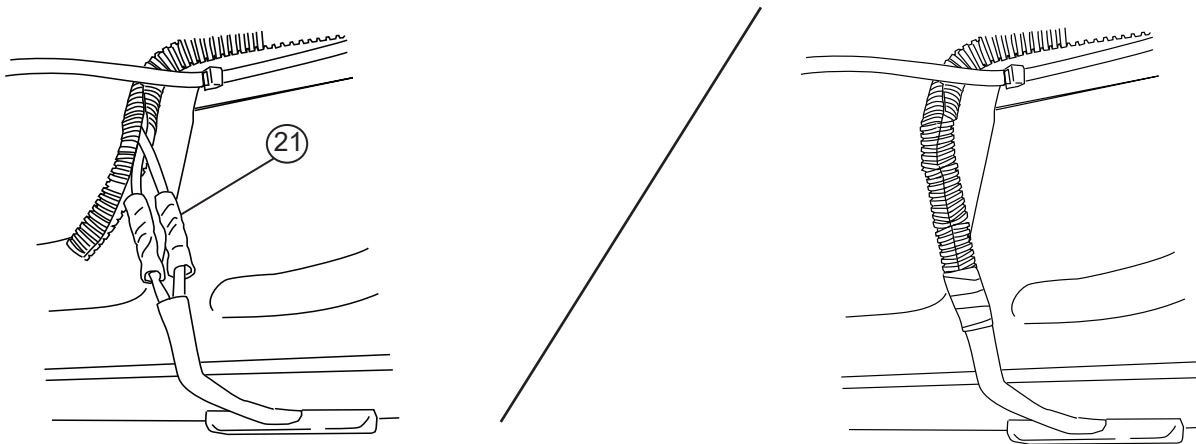
16

Affix LED light bracket assembly to rail. Mount front light rearward of front linkage and mount rear light just forward of rear linkage.



17

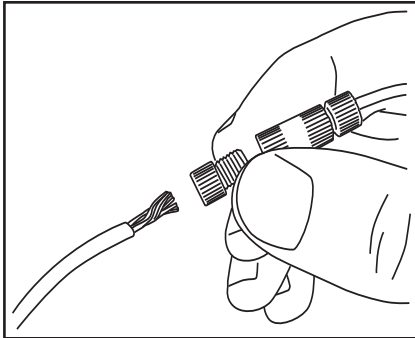
Using supplied butt connectors (21), connect the lamp wires. Red to Red, Black to Black. Once Crimped use heat gun to shrink tube. Close and wrap conduit with electrical tape. Secure all loose wires with cable ties. Pull lamp wires upward to avoid any wire snagging.



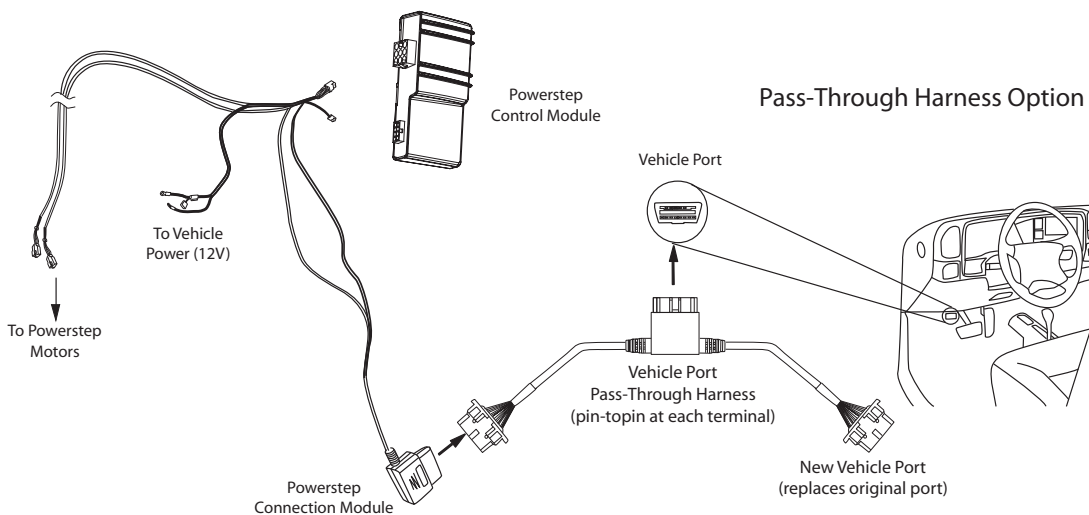
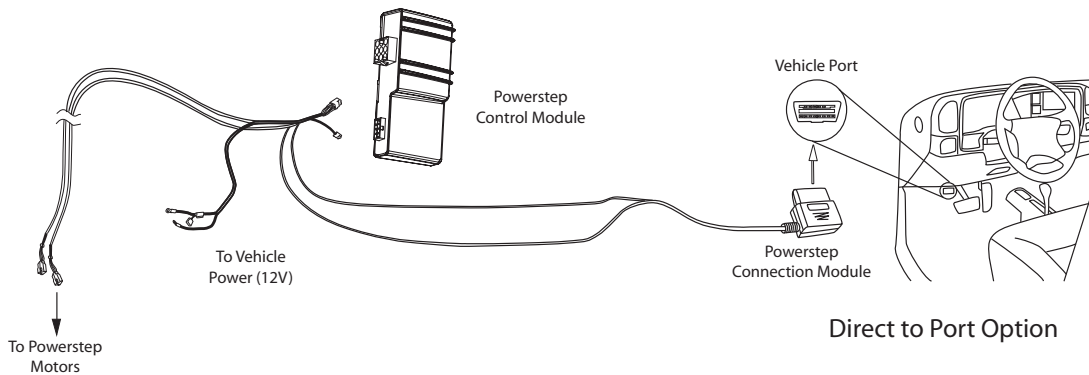
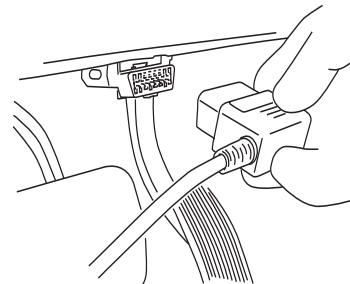
18

OBD II install: Use Supplied Posi Twist connectors to attach the Plug and Play Module to the Harness. Attach matching colors on the harness to the wires on the module. Plug in module to OBD II port on the vehicle. Secure harness with supplied tie wraps.

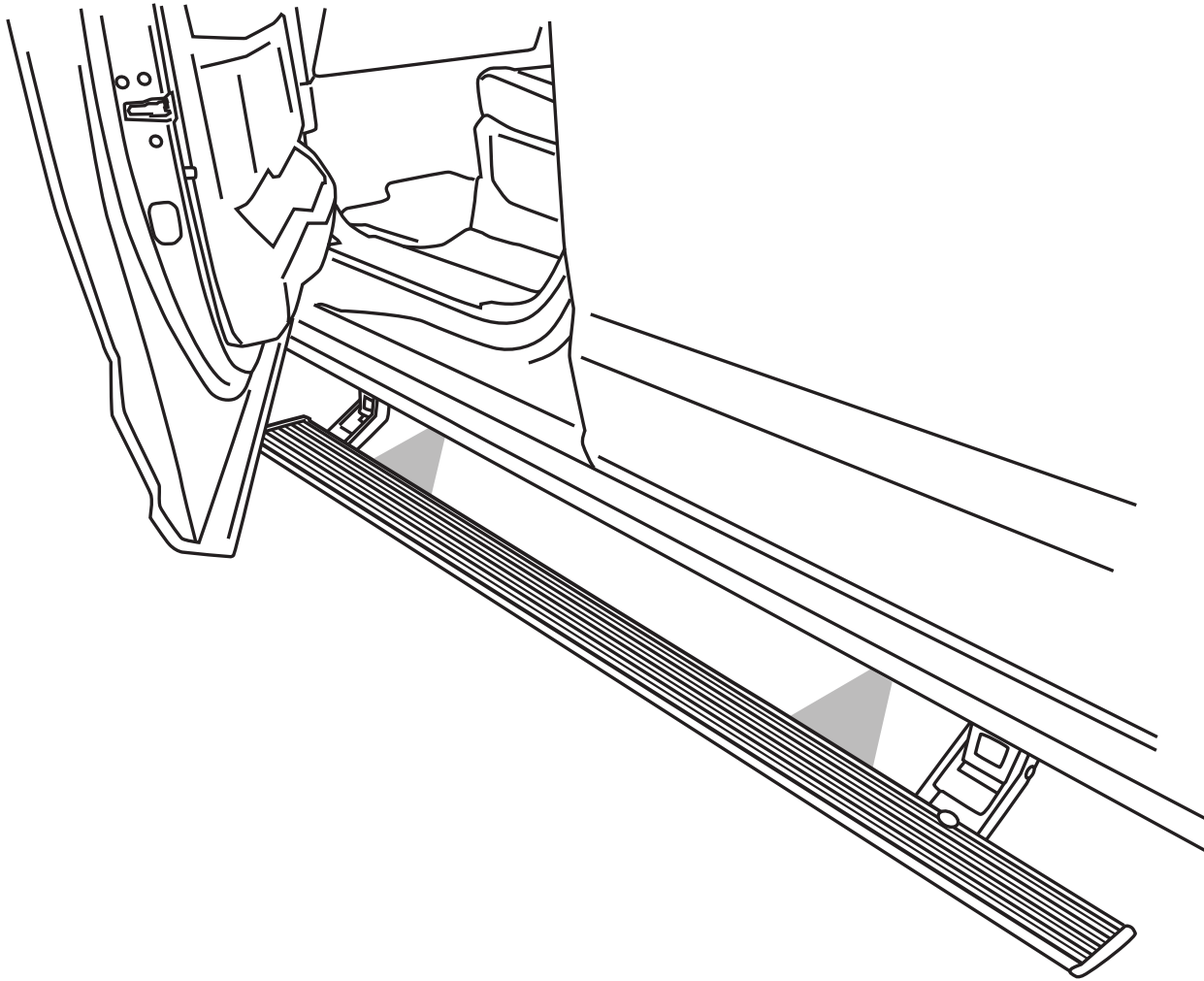
Note: If the OBD II pass thru harness (76404-01A) was purchased see install sheet supplied in packaging. The pass through harness allows for an open port for other accessories. See next page for a brief description.



OBD II Connector located below steering column.



Check that all doors activate the Power Step and the LED Lights work when doors open and close. Reinstall any remaining trim panels.



FINAL SYSTEM CHECK

Check that all doors activate the PowerStep and the LED lights work when doors open and close.

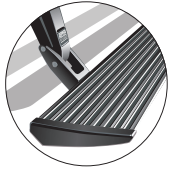
NORMAL OPERATION: When the doors open, PowerStep automatically deploys from under the vehicle. When the doors are closed, PowerStep will automatically return to the stowed/retracted position. **Note that there is a 2-second delay before the PowerStep returns to the stowed/retracted position.**

CORRECT OPERATION OF LIGHTS: All four lamps will illuminate upon opening any door of vehicle. Lamps will stay on until restowing of both Power Steps or until 5 minutes has expired with the doors open. When the lights timeout after 5 minutes, they can be reilluminated by closing and opening any door of vehicle.



Congratulations on your purchase of the genuine AMP Research PowerStep! Here's what you should know...

POWER-DEPLOYABLE RUNNING BOARDS OPERATION: AMP Research PowerStep running boards automatically move when the doors are opened to assist entering and exiting the vehicle.



Automatic power deploy:

The running boards will extend down and out when the doors are opened.

Automatic power stow:

The running boards will return to the stowed position when the doors are closed. There will be a 2-second delay before the running boards move to the stowed position.

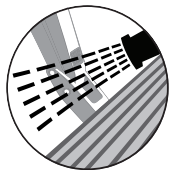
Automatic stop:

If an object is in the way of the moving running board, the running board will automatically stop. To reset, clear any obstruction, then simply open and close the door to resume normal operation.



Manually set in the deployed (OUT) position for access to the roof:

The running boards can be manually set in the deployed position by firmly holding the step down with your foot while at the same time closing the door. To resume normal operation, open and close the door.



Maintenance: In adverse conditions, debris such as mud, dirt, and salt may become trapped in the running board mechanism, possibly leading to unwanted noise. If this occurs, manually set the running boards to the deployed position and flush the front and rear hinge arms with a high-pressure car wash wand.

Avoid spraying the motors directly. After washing, apply silicone spray lubricant to the hinge pivot pins. Do not apply silicone, wax or protectants like Armor All® to the running board stepping surface.

Caution! Keep hands away when the running board is in motion.

5-YEAR LIMITED WARRANTY

AMP RESEARCH warrants this product to be free from defects in material and workmanship for FIVE (5) YEARS FROM DATE OF PURCHASE, provided there has been normal use and proper maintenance. This warranty applies to the original purchaser only. All remedies under this warranty are limited to the repair replacement of the product itself, or the repair or replacement of any component part thereof, found by the factory to be defective within the time period specified. The decision to repair or replace is wholly within the discretion of the manufacturer.

This warranty specifically excludes labor. If you have a warranty claim, first you must call our factory at the number below for instructions. You must retain proof of purchase and submit a copy with any items returned for warranty work. Upon completion of warranty work, if any, we will return the repaired or replaced item or items to you freight prepaid. Damage to our products caused by accidents, fire, vandalism, negligence, misinstallation, misuse, Acts of God, or by defective parts not manufactured by us, is not covered under this warranty.

ANY IMPLIED WARRANTIES OF MERCHANTABILITY AND/OR FITNESS FOR A PARTICULAR PURPOSE CREATED HEREBY ARE LIMITED IN DURATION TO THE SAME DURATION AND SCOPE AS THE EXPRESS WRITTEN WARRANTY. OUR COMPANY SHALL NOT BE LIABLE FOR ANY INCIDENTAL OR CONSEQUENTIAL DAMAGE.

Some states do not allow limitations on how long an implied warranty lasts, or the exclusion or limitation of incidental or consequential damages, so the above limitations or exclusions may not apply to you. This warranty gives you specific legal rights, and you may also have other rights that vary from state to state.

FOR WARRANTY ISSUES WITH THIS PRODUCT PLEASE CALL AMP RESEARCH CUSTOMER SERVICE 1-888-983-2204

WARNING

Be sure to read and precisely follow the provided instructions when installing this product. Failure to do so could place the vehicle occupants in a potentially dangerous situation. After installing or reinstalling, re-check to insure that the product is properly installed.