



**DOWNLOAD COLOR
INSTALL MANUALS AT
*dieselperformance.com***



BD Ford 6L Flex Plate

For 2003-07 Powerstroke Diesel Trucks

1041242

Ford 6L 5r110

2003-2007

PLEASE READ ALL INSTRUCTIONS BEFORE INSTALLATION.

Features

- Over two times stronger than stock
- Fully billet machined, no welded weights.
- Not affected by hydrogen embrittlement caused by zinc plating, which can drastically reduce strength
- Correct ring gear that won't damage starter

Installation

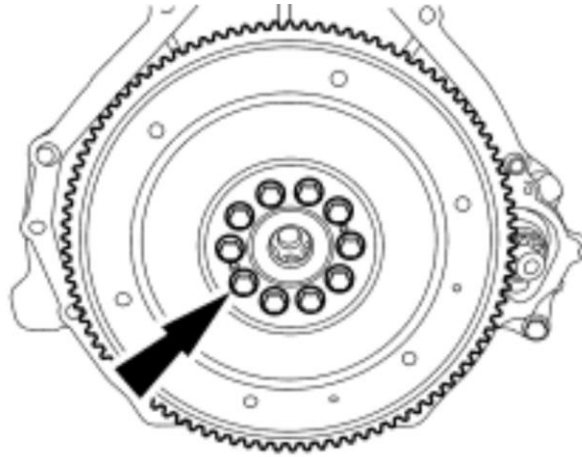
BD Engine Brake Inc.

Plant Address: 33541 MacLure Rd. Abbotsford, BC, Canada V2S 7W2

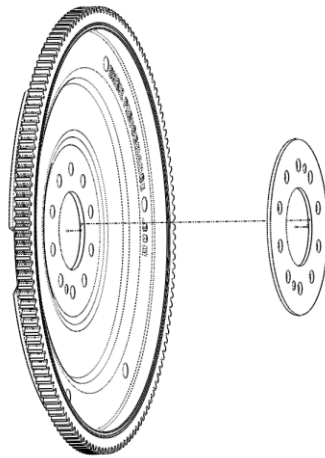
U.S. Shipping Address: 88-446 Harrison St, Sumas, WA 98295 U.S. Mailing Address: P.O. Box 231, Sumas, WA 98295

Phone: 604-853-6096 | Fax: 604-853-8749 | Internet: www.bd-power.com

1. Remove transmission.
2. Remove OEM flexplate.

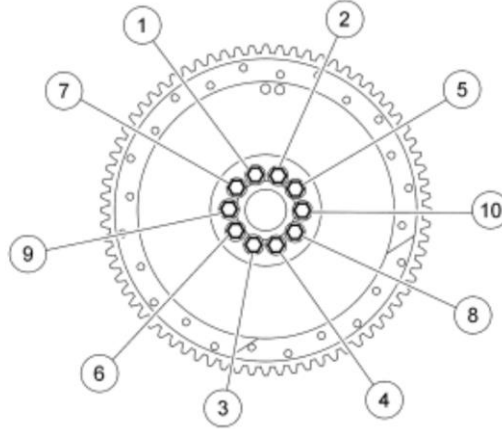


3. Install BD flexplate, align flexplate to locating dowel. Do not damage locating dowel.
4. Install BD (#1401243) hardened washer. Note that I can be installed two ways 180° apart from each other. Ensure to align and engage the locating dowel.

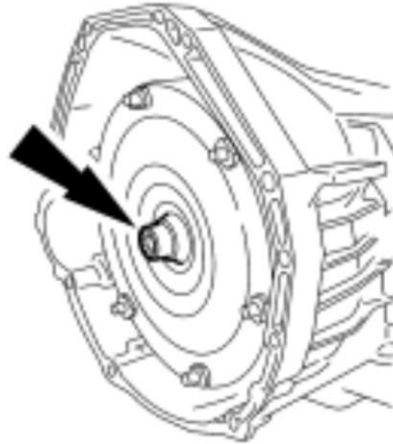


5. Re-install crankshaft bolts. Tighten in a two stage sequence.
 - a. Tighten first to 4 ftlbs.
 - b. Tighten to 69 ftlbs.

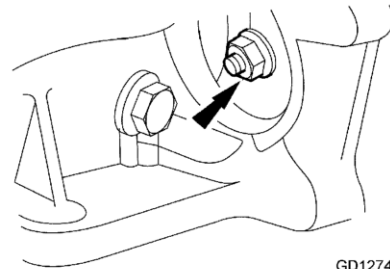




6. Lubricate the torque convertor hub with multi purpose grease.



7. Re-install transmission and torque convertor. Torque flexplate to torque convertor nuts to 35ftlbs.



GD1274-A

Courtesy of FORD MOTOR CO.