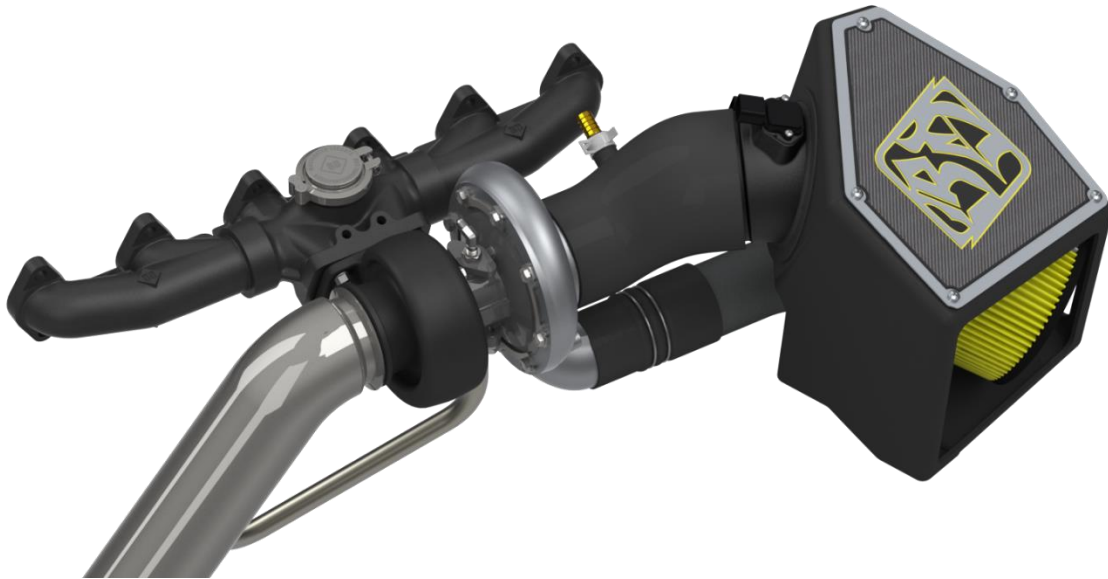




**DOWNLOAD COLOR INSTALL
MANUALS AT
*dieselperformance.com***



***BD Rumble B SXE*
Dodge 6.7L HPCR
Installation Instructions**

1045705	2008-2009 Dodge 6.7L Rumble B SXE
1045706	2010-2012 Dodge 6.7L Rumble B SXE
1045708	2013-2015 Dodge 6.7L Rumble B SXE

PLEASE READ ALL INSTRUCTIONS BEFORE INSTALLATION.

NOTE: This kit will require a race tuner and deletion of the EGR cooler.

UNLESS AN EO# IS LISTED, THIS PRODUCT IS LEGAL IN CALIFORNIA FOR RACING VEHICLES ONLY, WHICH MAY NEVER BE USED UPON A HIGHWAY.

BD ENGINE BRAKE, INC.

Plant Address: 33541 MacLure Rd, Abbotsford, BC, Canada V2S 7W2

US Shipping Address: 88-446 Harrison St, Sumas, WA 98295 | US Mailing Address: PO Box 231, Sumas, WA 98295

Phone: 1-800-887-5030 | Fax: 604-853-8749 | Internet: www.dieselperformance.com

Please be aware that non-wastegated turbochargers are extremely sensitive to over speed failures. Please size the turbo correctly to your fueling level and EGTs. EGTs over 1500° can possibly indicate an undersized turbocharger. High boost pressure can also indicate over speed, do not exceed 50psi of compressor outlet pressure.

Note a factory intercooler can have up to a 6psi pressure drop across the cooler. You would only see 44psi in the intake manifold. Increasing the operating RPM of your engine will also increase turbo speed. A 500 engine RPM increase can increase turbo speeds over 10,000RPM.

Overspeed can result in split compressor wheels, separated turbine wheels, worn journal bearings and damaged thrust surfaces.



Using a wastegate will help you control turbo speed. For the cost there is no better insurance.

BD ENGINE BRAKE, INC.

Plant Address: 33541 MacLure Rd, Abbotsford, BC, Canada V2S 7W2

US Shipping Address: 88-446 Harrison St, Sumas, WA 98295 | US Mailing Address: PO Box 231, Sumas, WA 98295

Phone: 1-800-887-5030 | Fax: 604-853-8749 | Internet: www.dieselperformance.com

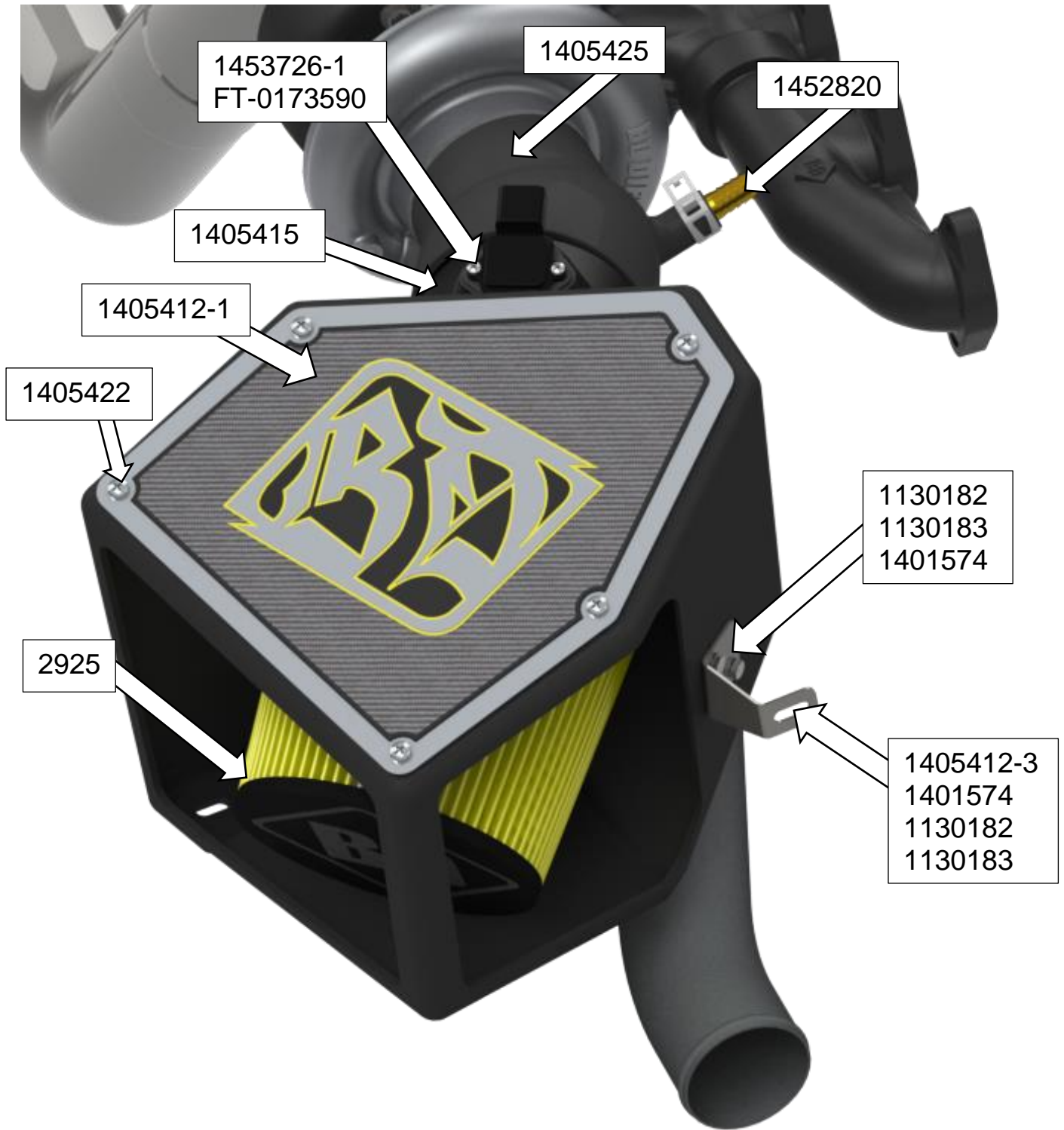
Engine:		Dodge Cummins 6.7L			
Turbocharger	Max Compressor Outlet Pressure	Tuning & Injector Recommendations			
		Tuning Only	Tuning & 60HP Injectors	Tuning & 90HP Injectors	Tuning & 120HP Injectors
S363/80	38	Wastegate Recommended	Wastegate Needed	Wastegate Needed/Larger Turbo Recommended	Wastegate Needed/Larger Turbo Recommended
S364.5/80	40	No wastegate needed	Wastegate Recommended	Wastegate Needed	Wastegate Needed/Larger Turbo Recommended
S366/80	45	No wastegate needed	Wastegate Recommended	Wastegate Needed	Wastegate Needed/Larger Turbo Recommended
S369/80	50	No wastegate needed	Caution on High Tuning Levels	Wastegate Recommended	Wastegate Needed

*Note you can always overspeed a turbocharger. Play it safe, there are no warranties for overspeed.

*Factory intercooler can have a 5 psi pressure drop across. ie 45psi manifold pressure = 50 psi compressor Outlet pressure.

*All our testing is done at the standard RPM range of the engine. If you exceed this RPM, your turbo speed will also increase.

*Extended injection duration will contribute to turbo over speed

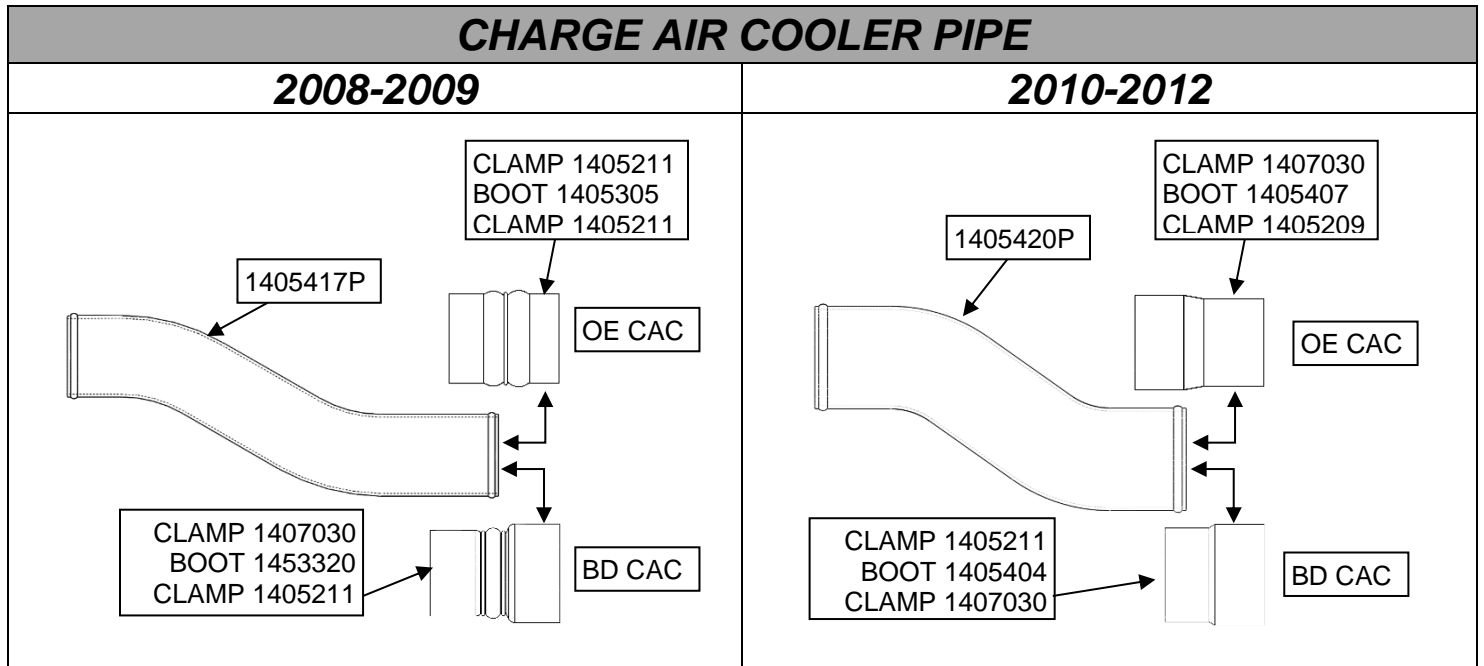
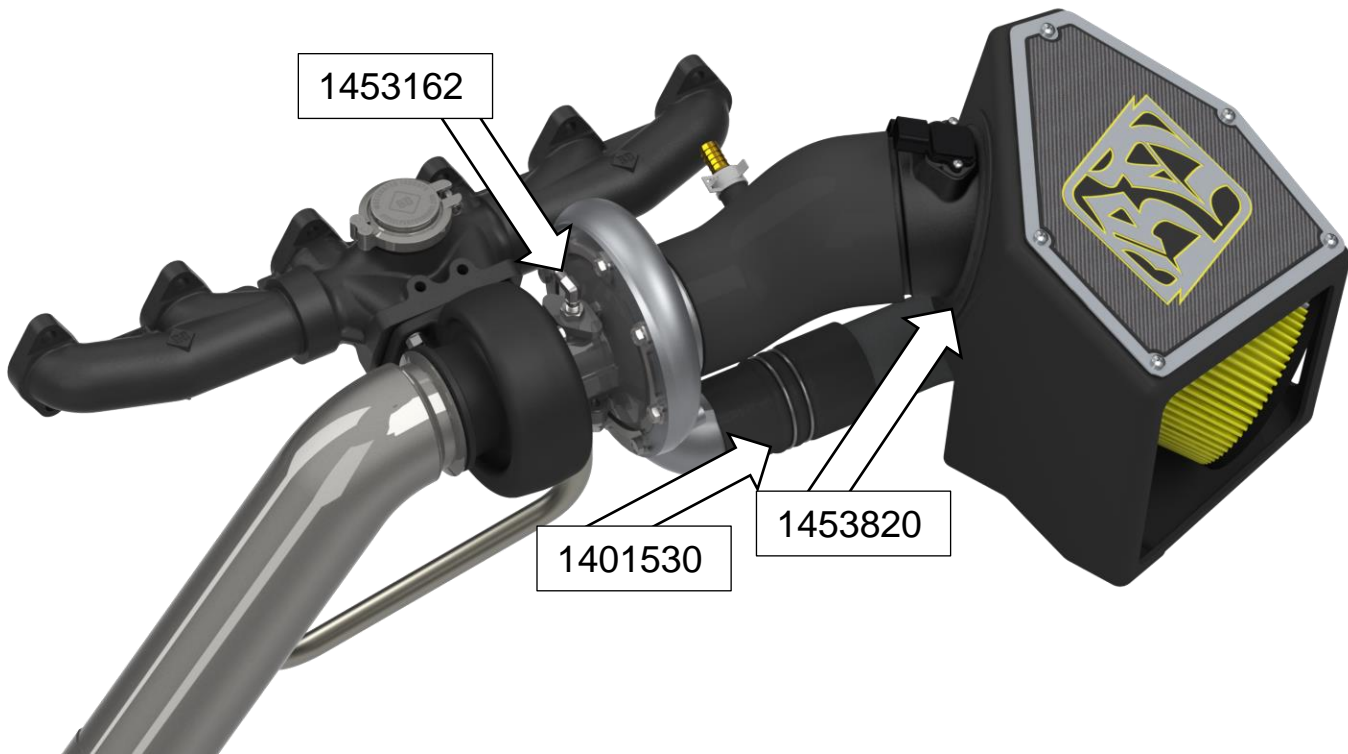


BD ENGINE BRAKE, INC.

Plant Address: 33541 MacLure Rd, Abbotsford, BC, Canada V2S 7W2

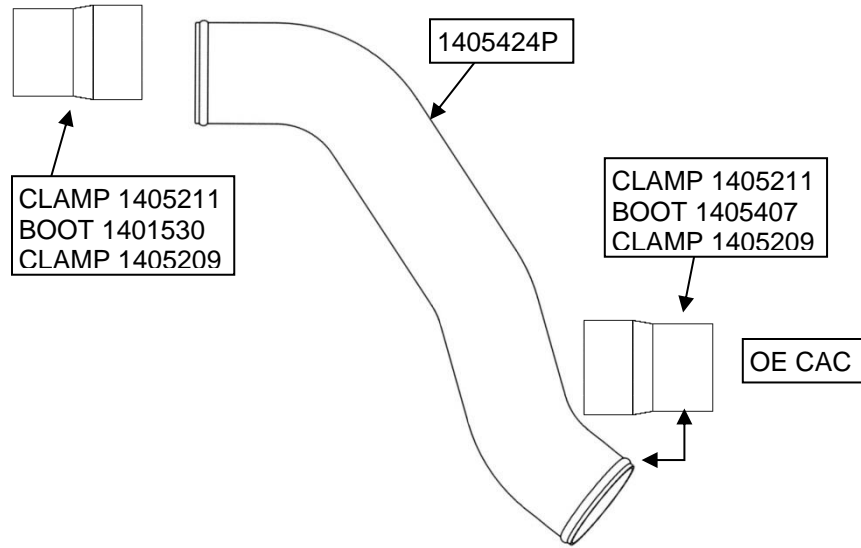
US Shipping Address: 88-446 Harrison St, Sumas, WA 98295 | US Mailing Address: PO Box 231, Sumas, WA 98295

Phone: 1-800-887-5030 | Fax: 604-853-8749 | Internet: www.dieselperformance.com



CHARGE AIR COOLER PIPE

2013-2015



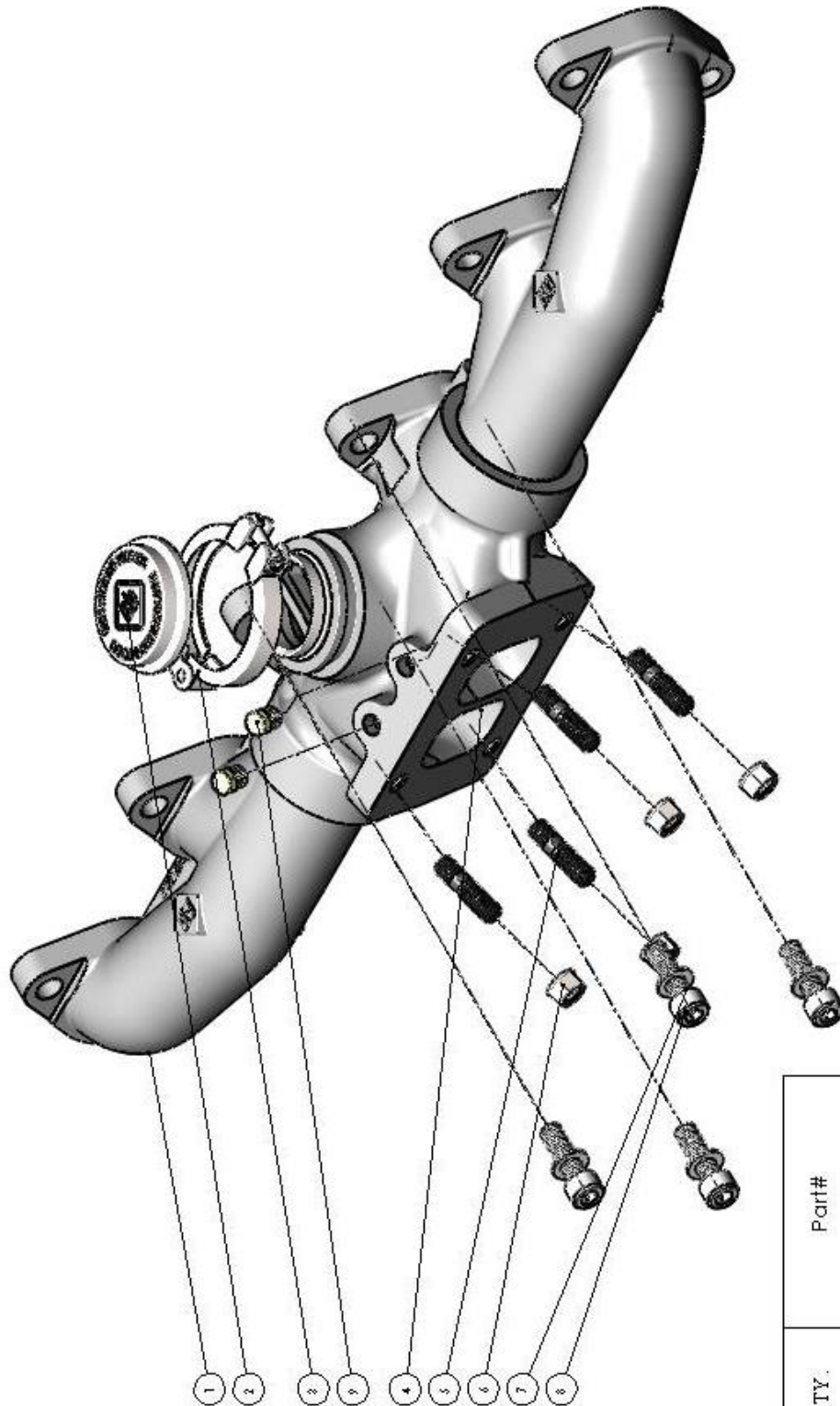
BD ENGINE BRAKE, INC.

Plant Address: 33541 MacLure Rd, Abbotsford, BC, Canada V2S 7W2

US Shipping Address: 88-446 Harrison St, Sumas, WA 98295 | US Mailing Address: PO Box 231, Sumas, WA 98295

Phone: 1-800-887-5030 | Fax: 604-853-8749 | Internet: www.dieselperformance.com

Manifold assembly



ITEM NO.	QTY.	Part#
1	2	1405972
2	1	1405975
3	1	1405969
4	1	1405974-T4 or T6
5	4	1462430
6	4	1462441
7	4	FT-11509452
8	4	1405981
9	2	1200208

BD ENGINE BRAKE, INC.

Plant Address: 33541 MacLure Rd, Abbotsford, BC, Canada V2S 7W2

US Shipping Address: 88-446 Harrison St, Sumas, WA 98295 | US Mailing Address: PO Box 231, Sumas, WA 98295

Phone: 1-800-887-5030 | Fax: 604-853-8749 | Internet: www.dieselpower.com

K I T C O N T E N T S :

Please check to make sure that you have all the parts listed in this kit **before** you start the disassembly of your truck.



DODGE 6.7L GENERAL KIT				
1405415	1453726-1	FT-0173590	1453726-3	1405425
				
<i>Intake tube S400</i>	<i>Gasket; Dodge MAF</i>	<i>#8 Pan Hd Screws</i>	<i>Gasket; Dodge IAT 6.7L</i>	<i>Intake Boot</i>
Qty: 1	Qty: 1	Qty: 3	Qty: 1	Qty: 1
1452820	1453115	1453130-B		1453162
				
<i>5/8" Double Barb</i>	<i>Oil Feed Adapter (1/8MPT x -6MJIC)</i>	<i>Primary Turbo Oil Feed Hose (-6 JICM 90° x -6 JICF)</i>		<i>Primary Turbo Oil Inlet Adapter (1/4MPTx-6JIC)</i>
Qty: 1	Qty: 1	Qty: 1		Qty: 1
1405209		FT-110120342	1453106	
				
<i>Clamp; 2.75-3.09"</i>		<i>Bolt; 3/8-16 x 1-1/8"</i>	<i>Drain tube assembly (23")</i>	
Qty: 1		Qty: 2	Qty: 1	

BD ENGINE BRAKE, INC.

Plant Address: 33541 MacLure Rd, Abbotsford, BC, Canada V2S 7W2

US Shipping Address: 88-446 Harrison St, Sumas, WA 98295 | US Mailing Address: PO Box 231, Sumas, WA 98295

Phone: 1-800-887-5030 | Fax: 604-853-8749 | Internet: www.dieselpower.com

1045996-T4			1045986-T4		
					
Manifold; with Wastegate Port			Exhaust Manifold Gasket Set		
Qty: 1			Qty: 1		
1120125	1405976	1120124	1400113	1453138	
					
Insulated Clamp 1" ID	M10 Spacer	M8-1.25 x 20mm Flange Bolt	Insulated Clamp 1.250" ID	Plug; ORB M12-1.5	
Qty: 2	Qty: 1	Qty: 2	Qty: 1	Qty: 2	
1453728	1453137	1302198	1120126	1453724	
					
5/8" Molded Coolant Hose	10mm O-Ring	Hose Clamp	Gear Clamp	5/8" Molded CCV Hose	
Qty: 1	Qty: 1	Qty: 4	Qty: 1	Qty: 1	
1405455			1453522		
					
Downpipe; Rumble B			Turbine Housing Blanket		
Qty: 1			Qty: 1		

1100740	1405237	1453602	1453701	1900037
				
4" Stainless Steel Down Pipe Clamp	Hose Clamp 4"-6"	Down Pipe V-Band Clamp	3.5-4.5 Hose Clamp	M6-1.0 x 12mm Flange Bolt
Qty: 2	Qty: 1	Qty: 1	Qty: 1	Qty: 1
1453725	1300131	1130183	1130182	
				
Auto Trans Tube Bracket	Cable Tie (Med)	Lockwasher; M6	Bolt; M6-1.0x16mm	
Qty: 1	Qty: 4	Qty: 2	Qty: 2	
1401589	1405422	1453820	**1405412-3	1401574
				
M16 Coolant Plug	Screw M6-1.0 X 12	Air Intake Seal (in)	Air Box Bracket	Acorn Nut; M6
Qty: 1	Qty: 5	Qty: 20	Qty: 1	Qty: 2
1405412	1405412-1	2925	1456737	1456738
				
Intake Box S400	Lid: Air Box	Air Box Filter	U-nut; M8-1.25 long	Bolt: M8-1.25x30mm
Qty: 1	Qty: 1	Qty: 1	Qty: 2	Qty: 2

BD ENGINE BRAKE, INC.

Plant Address: 33541 MacLure Rd, Abbotsford, BC, Canada V2S 7W2

US Shipping Address: 88-446 Harrison St, Sumas, WA 98295 | US Mailing Address: PO Box 231, Sumas, WA 98295

Phone: 1-800-887-5030 | Fax: 604-853-8749 | Internet: www.dieselpower.com

3008468









Coolant Pipe Plug (Only to be used for Non BD EGR kits)

Qty: 1

** 1045704 Kit does not use 1405412-3 and therefore is not provided.

1045705 - DODGE 2008-2009 KIT

1405417P	1407030	1405211	1453321	1401530	1405305
					
Tube; CAC inlet S400 LM PC	Clamp (3.50")	Clamp (3.00-3.38")	Boot 3.0-3.5"	Boot; 2.75-3" 5.5" L	3 x 4" L Boot
Qty: 1	Qty: 1	Qty: 3	Qty: 1	Qty: 2	Qty: 1

1405209



Clamp (2.75-3.09")

Qty: 1

1045706 - DODGE 2010-2012 KIT

1453155	1453723-1	1453723-2	1453723-3	1456733	
					
Coolant Port Oring	Fitting, Coolant Hose Twin 6.7L	Fitting, Coolant Hose Clamp	Fitting, Barb Coolant 1.125"x 3/4NPT	TC Coolant Adapter	
Qty: 1	Qty: 1	Qty: 1	Qty: 1	Qty: 1	
1453735	1302198	1456736		1405420P	
					
5/8" Barb-1/2" MNPT Fitting	Hose Clamp	Bracket; Dodge coolant support		Tube; CAC inlet S400 LM PC	
Qty: 2	Qty: 2	Qty: 1		Qty: 1	
1900037	1453126		1453127	1400283	
					
M6-1.0 x 12mm Flange Bolt	Support Bracket Bolt		Support Bracket Washer	Oring	
Qty: 2	Qty: 1		Qty: 1	Qty: 1	
1405209	1405211	1407030	1405404	1405407	1401530
					
Clamp (2.75"-3.09")	Clamp (3.00-3.38")	Clamp (3.28-3.63")	3-3.25" CAC Boot	Boot 2.75"-3.0"	Boot; 2.75-3" 5.5" L
Qty: 2	Qty: 2	Qty: 1	Qty: 1	Qty: 1	Qty: 1














BD ENGINE BRAKE, INC.

Plant Address: 33541 MacLure Rd, Abbotsford, BC, Canada V2S 7W2

US Shipping Address: 88-446 Harrison St, Sumas, WA 98295 | US Mailing Address: PO Box 231, Sumas, WA 98295

Phone: 1-800-887-5030 | Fax: 604-853-8749 | Internet: www.dieselpowerperformance.com

1045708 - DODGE 2013-2015 KIT

1453155	1453723-1	1453723-2	1453723-3	1456733	
					
<i>Coolant Port Oring</i>	<i>Fitting, Coolant Hose Twin 6.7L</i>	<i>Fitting, Coolant Hose Clamp</i>	<i>Fitting, Barb Coolant 1.125"x 3/4NPT</i>	<i>TC Coolant Adapter</i>	
Qty: 1	Qty: 1	Qty: 1	Qty: 1	Qty: 1	
1453735	1302198	1456736		1405424P	
					
<i>5/8" Barb-1/2" MNPT Fitting</i>	<i>Hose Clamp</i>	<i>Bracket; Dodge coolant support</i>		<i>Pipe; S400 CAC 13-16</i>	
Qty: 2	Qty: 3	Qty: 1		Qty: 1	
1900037	1453126	1453127	1402608	FT-90700	1400283
					
<i>M6-1.0 x 12mm Flange Bolt</i>	<i>Support Bracket Bolt</i>	<i>Support Bracket Washer</i>	<i>Washer; M6</i>	<i>Nut; M6-1.0 flange</i>	<i>Oring</i>
Qty: 4	Qty: 1	Qty: 1	Qty: 4	Qty: 4	Qty: 1
1405209	1405211	1300131	1452823	1405407	1401530
					
<i>Clamp (2.75"-3.09")</i>	<i>Clamp (3.00-3.38")</i>	<i>Cable Tie (Med)</i>	<i>Tee 5/8" barb</i>	<i>Boot 2.75"-3.0"</i>	<i>Boot; 2.75-3" 5.5" L</i>
Qty: 2	Qty: 2	Qty: 2	Qty: 1	Qty: 1	Qty: 1

BD ENGINE BRAKE, INC.

Plant Address: 33541 MacLure Rd, Abbotsford, BC, Canada V2S 7W2

US Shipping Address: 88-446 Harrison St, Sumas, WA 98295 | US Mailing Address: PO Box 231, Sumas, WA 98295

Phone: 1-800-887-5030 | Fax: 604-853-8749 | Internet: www.dieselpowerformance.com

1405448	1405449	1405450	1405451	1405452
				
Bracket; Coolant Bottom PS	Bracket; Coolant Bottom DS	Bracket; Air Box (Trk side)	Bracket; Air Box (box side)	Bracket; Coolant Bottom
Qty: 1	Qty: 1	Qty: 1	Qty: 1	Qty: 1
1604054	1462123	1500387	1453736	
				
1/2" Fuel hose	1/2" Hose Plug	Spring Clamp; - 13/16	Coolant line	
Qty: 2	Qty: 1	Qty: 2	Qty: 1	

If you believe you are missing any parts that are displayed here, please contact BD Power at 1-(800)-887-5030 for replacements.

Pre-Installation

Installation should occur on a cold vehicle, as turbo and exhaust components become very hot with use.

Also note that a stock transmission will not handle this power and torque, transmission modifications are a must.

Options

Description	Part #
BD Torque Converter 2007.5-2012	1071219X
BD HD Transmission	CALL
BD Stroked CP3 Pump 2008-2012	1050550
BD Injectors	CALL
BD Intercooler 2003-2009	1042525
BD Intercooler 2010 - 2012	1042530
BD Staging Limiter	1057722

BD ENGINE BRAKE, INC.

Plant Address: 33541 MacLure Rd, Abbotsford, BC, Canada V2S 7W2

US Shipping Address: 88-446 Harrison St, Sumas, WA 98295 | US Mailing Address: PO Box 231, Sumas, WA 98295

Phone: 1-800-887-5030 | Fax: 604-853-8749 | Internet: www.dieselpowerperformance.com



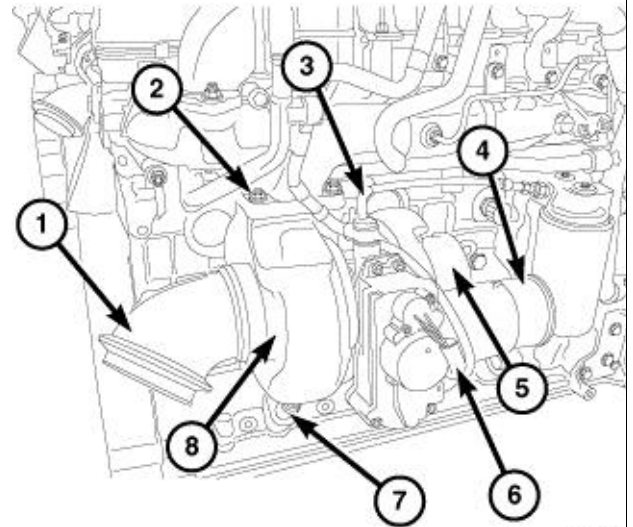
This kit requires the use of head studs, EGR & DPF delete and a performance transmission.

REMOVAL

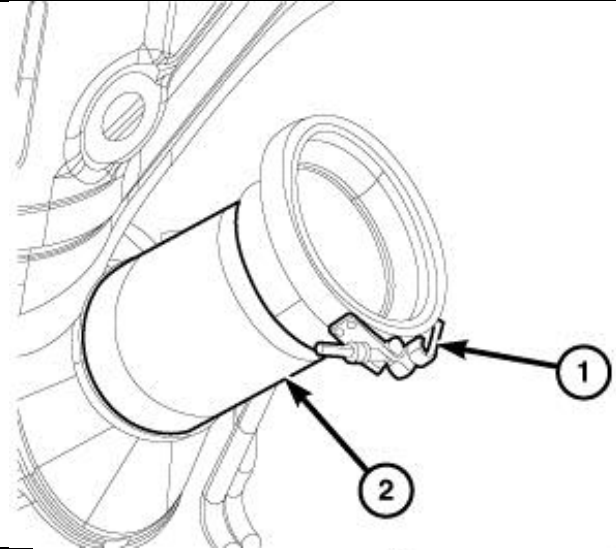


Please refer to the EGR Delete manual for removal of the EGR system.

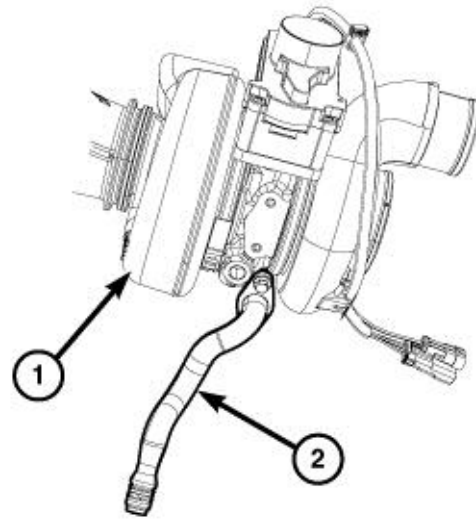
1. Secure the vehicle from rolling, disconnect the negative leads on both batteries and remove the passenger side inner fender.
2. Disconnect and re-position the right hand side positive battery cable away from the battery.
3. Drain the coolant from the radiator and engine.
4. Remove the air filter housing.
5. Remove the intake air tube at the turbocharger
6. Disconnect the crankcase vent hose at the turbocharger air intake
7. Remove the charge air cooler inlet tube at the turbocharger outlet
8. Disconnect the turbocharger speed sensor electrical connector
9. Disconnect turbocharger actuator wire harness connector
10. Remove the turbocharger oil pressure line
11. Remove the turbocharger coolant lines at the engine block and turbocharger.
12. Raise and support the vehicle.
13. Remove the exhaust support bracket from transmission.



14. Remove the V-clamp (1) from the turbocharger exhaust outlet



15. Remove the turbocharger drain tube (2) at the turbocharger (1)



2595625

16. Remove the turbocharger drain tube from the cylinder block.

17. Lower the vehicle.

18. Remove and set aside the grid heater relay from the battery tray

19. Using Tool 9866 or 15mm box end wrench, remove the turbocharger to exhaust manifold mounting nuts.



20. Remove the turbocharger from the vehicle by lifting from the top of the engine compartment.



21. Relocate the grid heater solenoid from the side edge of the battery tray to the top edge.



Suggested Relocation

Predrill 3/32" holes into the top edge of the battery tray reusing the OE screws and a *T20 Torx Bit*.

2013-2015 models only (If installing a 1045701 or 1045702 kit skip this step)

22. Remove the positive battery from the battery connection cables, then remove the passenger side battery and tray.

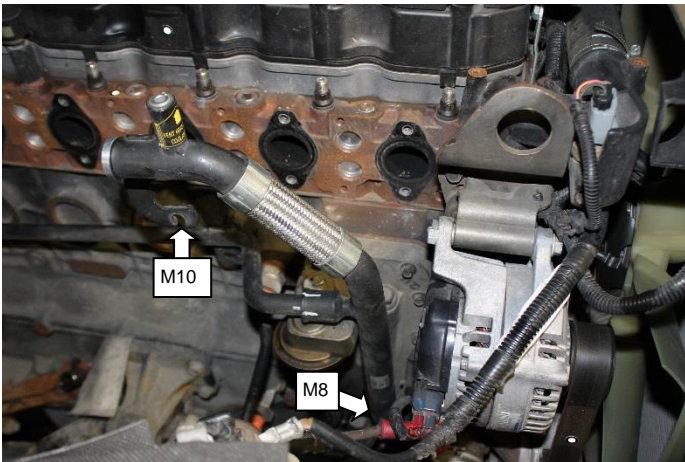
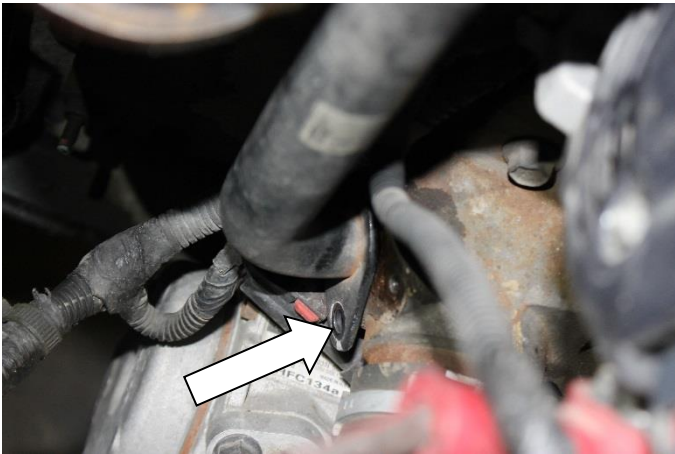
Remove coolant reservoir.

BD ENGINE BRAKE, INC.

Plant Address: 33541 MacLure Rd, Abbotsford, BC, Canada V2S 7W2

US Shipping Address: 88-446 Harrison St, Sumas, WA 98295 | US Mailing Address: PO Box 231, Sumas, WA 98295

Phone: 1-800-887-5030 | Fax: 604-853-8749 | Internet: www.dieselpower.com

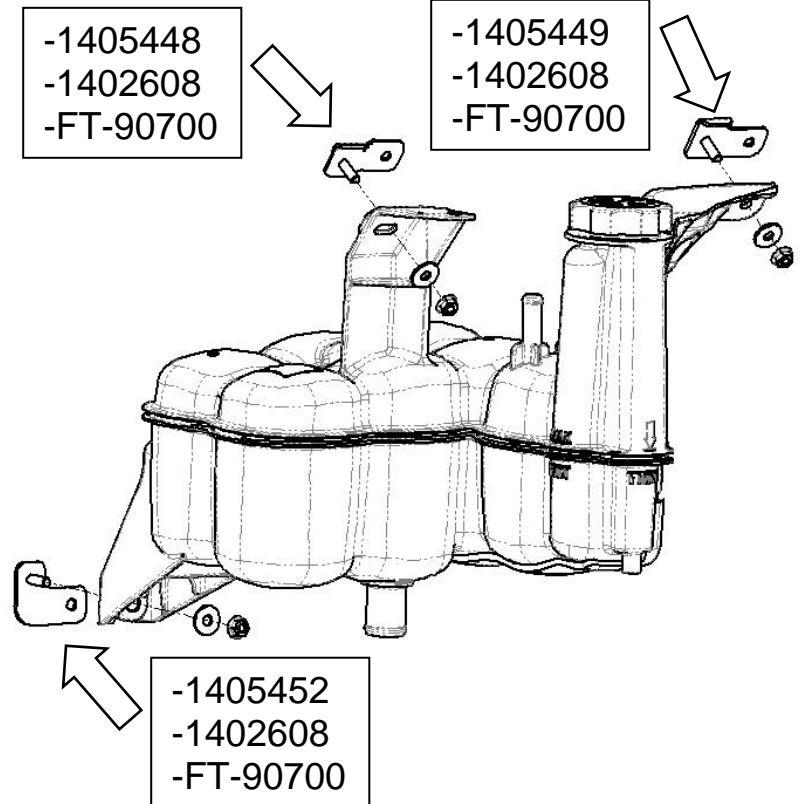


23. Remove the coolant line from the heater core and engine block port (M10 & M8 sockets required).

Remove exhaust manifold and clean cylinder head mating surface.

INSTALLATION

1. Install coolant reservoir with relocation brackets. Reinstall battery tray and battery.



2. Install the transmission dipstick relocation support bracket (1453725) to the valve cover using the OEM hardware; attach dipstick tube to the bracket using the supplied bolt (1130182).
8mm & 10mm socket

NOTE: You will need to reshape the dip stick tube to align with the bracket.



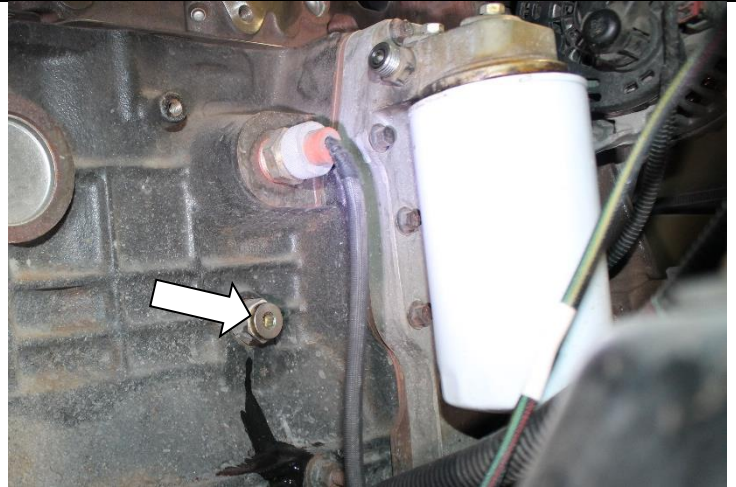
BD ENGINE BRAKE, INC.

Plant Address: 33541 MacLure Rd, Abbotsford, BC, Canada V2S 7W2

US Shipping Address: 88-446 Harrison St, Sumas, WA 98295 | US Mailing Address: PO Box 231, Sumas, WA 98295

Phone: 1-800-887-5030 | Fax: 604-853-8749 | Internet: www.dieselperformance.com

3. Install the supplied coolant plug (8mm allen key) into the block until the oring is compressed.



BD ENGINE BRAKE, INC.

Plant Address: 33541 MacLure Rd, Abbotsford, BC, Canada V2S 7W2

US Shipping Address: 88-446 Harrison St, Sumas, WA 98295 | US Mailing Address: PO Box 231, Sumas, WA 98295

Phone: 1-800-887-5030 | Fax: 604-853-8749 | Internet: www.dieselperformance.com

* 2008-2009 Models skip to step 9.

4. 2010-2012 Models (If equipped);

Thread in the two brass barbs (1453735) into the TC coolant adapter (1456733) and bolt the coolant adapter onto the coolant support bracket (1456736) using the supplied M6 hardware. (1900037)

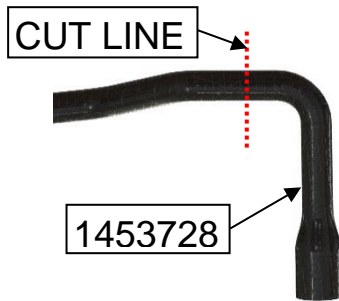
7/8" wrench & 10mm socket

Bolt TC coolant assembly to the block. Top bolt uses OE hardware / bottom bolt is 1453126 & 1453127

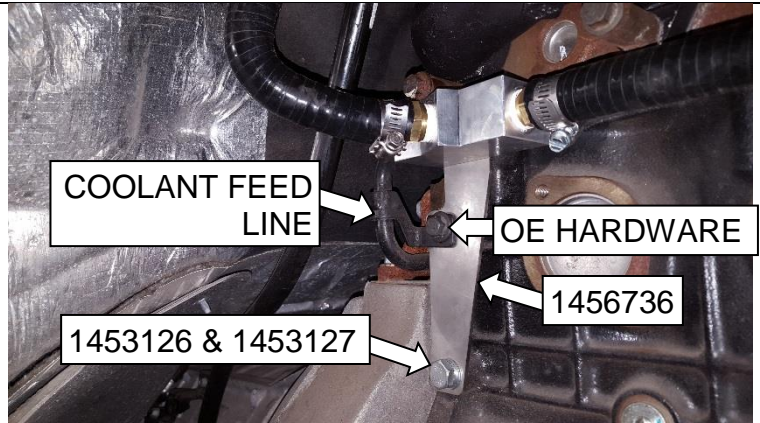
Connect the coolant hose (1453728) to the engine block then trim the hose to connect to the TC assembly. Now connect the hose that was cut off to the heater core and trim that hose to fit the TC assembly. Tighten all clamps. Continue to step 4.

3. 2013-2015 Models:

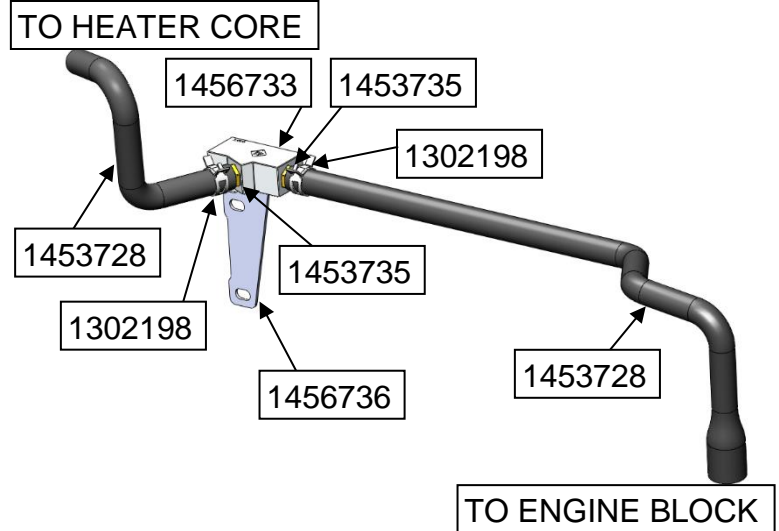
The 1453728 hose will need to be cut and then inserted onto the tee.



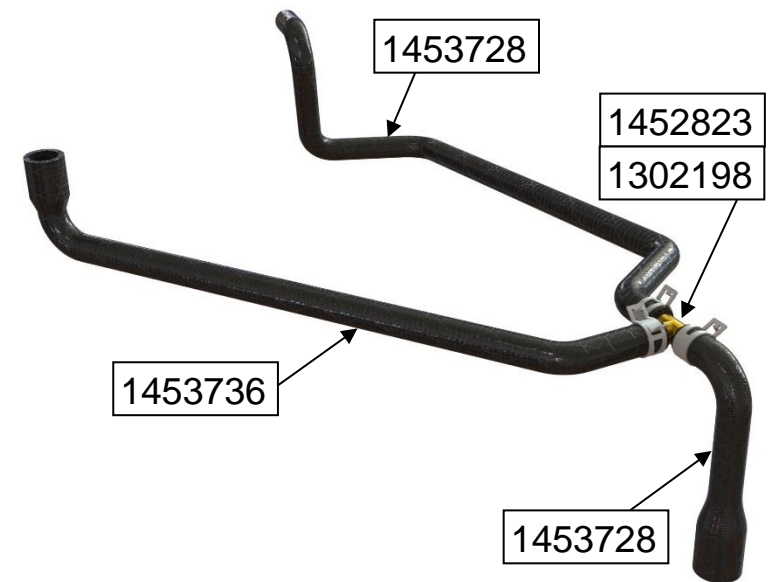
1453728 hose modification for 2013-2015 ONLY



2010-2012 Models (if equipped)



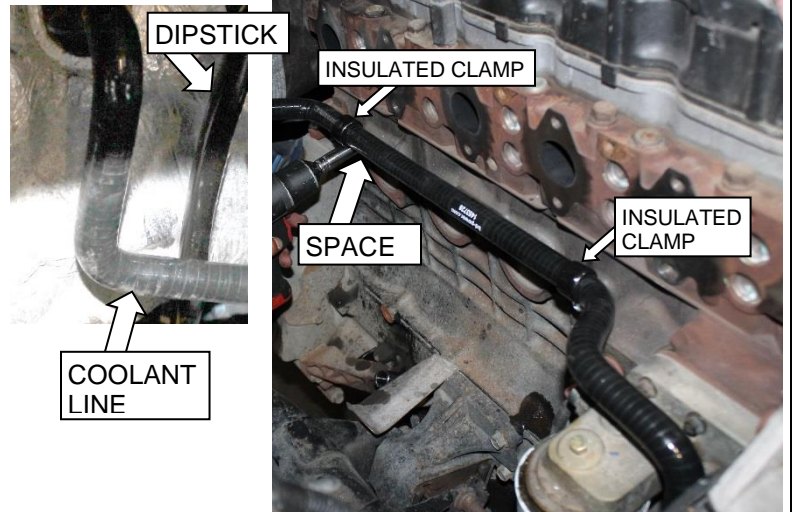
2013-2015 Models



5. Install the coolant hose into the heater core and engine block port, using the supplied insulated clamps (1120125) to support the center of the hose, two spring clamps (1302198) for the ends, spacer (back mounting bolt only) and bolts (1120124) (13mm socket)



Spacer not used on 2010-12 models



Adjust insulated clamps to prevent coolant hose from rubbing.

NOTE: *The transmission dipstick must go behind the coolant hose (closest to firewall) as it will be relocated later.*

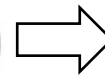
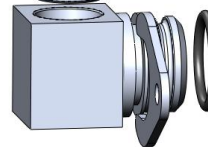
6. The front section of the silicone coolant line should be connected to the coolant port on the front of the block.

Use the 1453155 Oring, 1453723-1, 1453723-2, 1453723-3 parts to accomplish this. Use the OE fastener to secure the 1453723-2 'C' clamp to the coolant port. Use the provide hose clamp to secure the silicone connection.

Connect to BD
Silicone Coolant
Hose

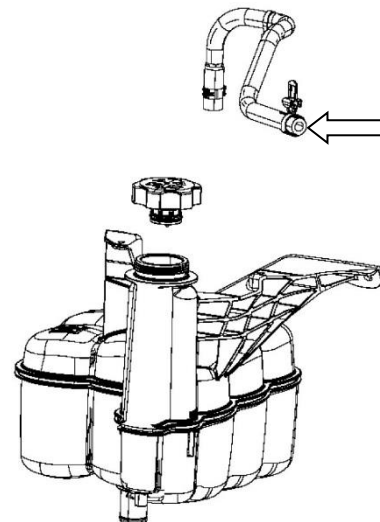


- Lubricate Oring
- Apply thread sealant on NPT Thread



Insert into Block
(Coolant Port)

7. Remove small coolant hose from driver side top of reservoir.



BD ENGINE BRAKE, INC.

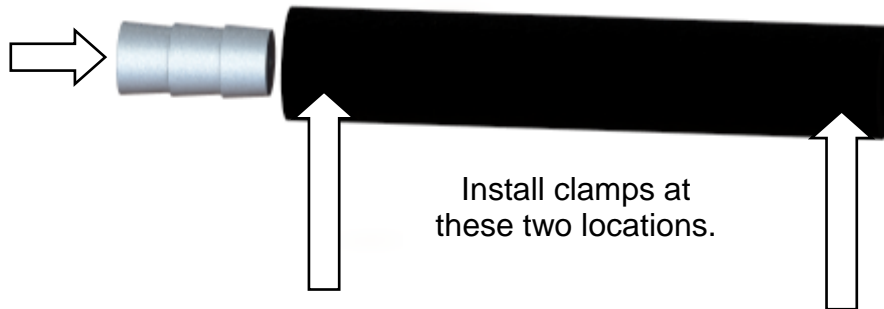
Plant Address: 33541 MacLure Rd, Abbotsford, BC, Canada V2S 7W2

US Shipping Address: 88-446 Harrison St, Sumas, WA 98295 | US Mailing Address: PO Box 231, Sumas, WA 98295

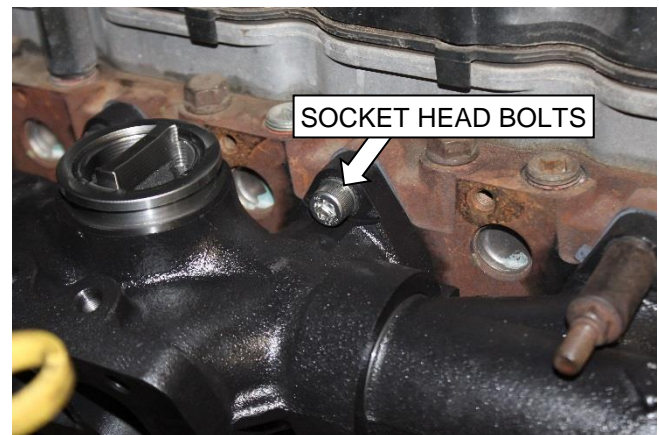
Phone: 1-800-887-5030 | Fax: 604-853-8749 | Internet: www.dieselperformance.com

2013-2015 models only (If installing a 1045701 or 1045702 kit skip this step)

8. Install 1/2" hose (1604054), hose fitting (1462123) and clamps (1500387) to cap off the post on top of the coolant reservoir.



9. Install the manifold with the supplied gaskets (13mm socket) & (8mm allen socket) Starting from the center and moving in pattern outward, tighten the exhaust manifold bolts to (37 ft. lbs.)



BD ENGINE BRAKE, INC.

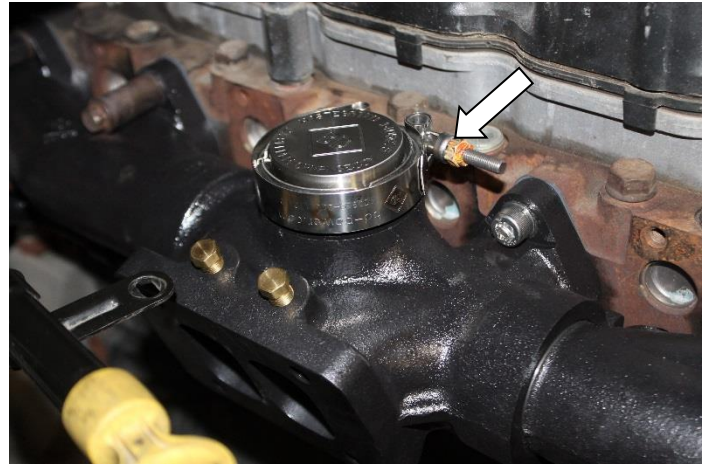
Plant Address: 33541 MacLure Rd, Abbotsford, BC, Canada V2S 7W2

US Shipping Address: 88-446 Harrison St, Sumas, WA 98295 | US Mailing Address: PO Box 231, Sumas, WA 98295

Phone: 1-800-887-5030 | Fax: 604-853-8749 | Internet: www.dieselpowerformance.com

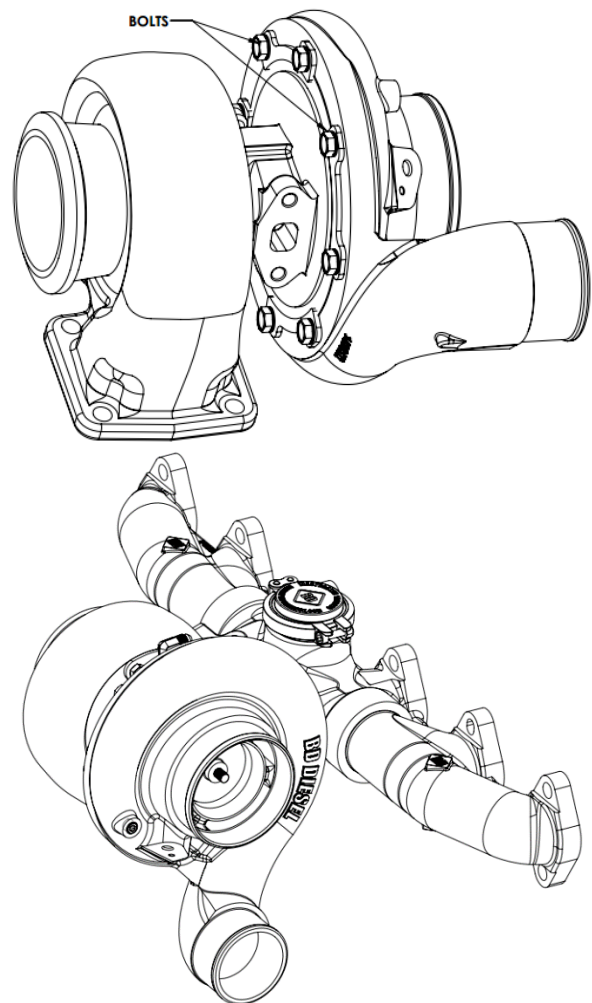
10. Install the turbosmart hypergate 45mm or wastgate blocker plate onto the manifold using the supplied clamp. (11mm socket)

If not using a pyro, insert the two 1/8" NPT plugs into the manifold.



11. Loosen bolts on the back of compressor cover and turbine housing. This will help installation and final clocking of the charger.
12. Install the four supplied studs into the manifold (short thread into manifold) with the gasket.

Mount the turbo onto manifold, fasten with the mounting nuts provided (14mm wrench).



BD ENGINE BRAKE, INC.

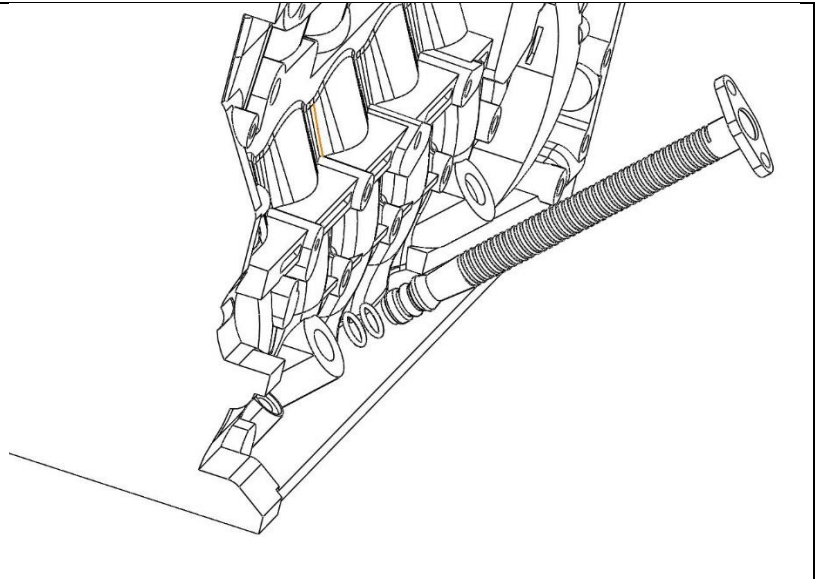
Plant Address: 33541 MacLure Rd, Abbotsford, BC, Canada V2S 7W2

US Shipping Address: 88-446 Harrison St, Sumas, WA 98295 | US Mailing Address: PO Box 231, Sumas, WA 98295

Phone: 1-800-887-5030 | Fax: 604-853-8749 | Internet: www.dieselpowerformance.com

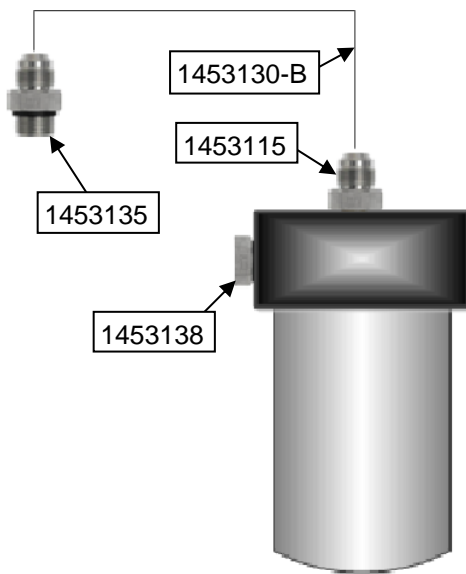
13. Install the supplied corrugated oil drain assembly.

- Lubricate Orings before inserting new assembly into block
- Lubricate and install oil drain gasket on top of drain flange.
- Using the supplied 3/8 fasteners install into turbo drain.



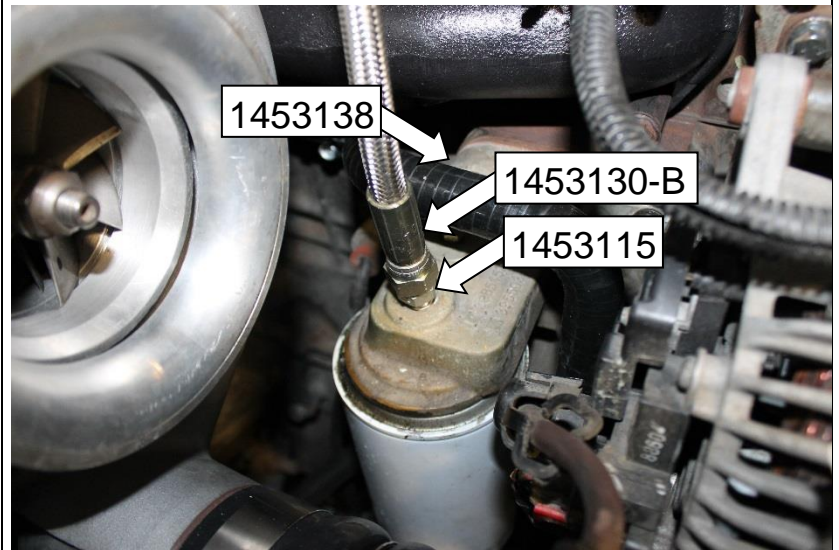
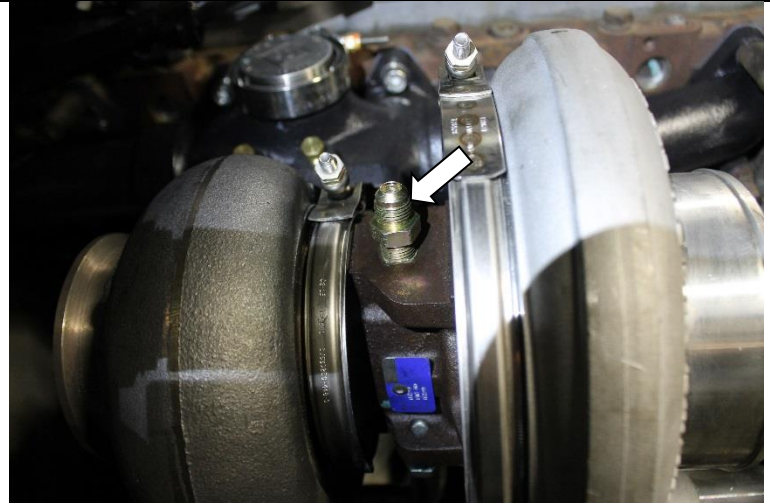
14. Preoil the turbo then install the oil inlet fitting (1453135) using a 17mm deep socket, and the oil filter housing fitting (1453115) using a 14mm wrench. (outer most port)

Then install the oil feed line (1453130-B) to the turbo and oil filter housing.



Install the plug (1453138) with oring (1453137) for the oil inlet into the back side of the oil filter housing (6mm Allen socket).

****Note:** Picture shows S400 Turbo. Installation is very similar.



15. Install the passenger side CAC pipe.

Please refer to the Charge Air Cooler Pipe diagram on page 5 for the correct pipe and boot combination.



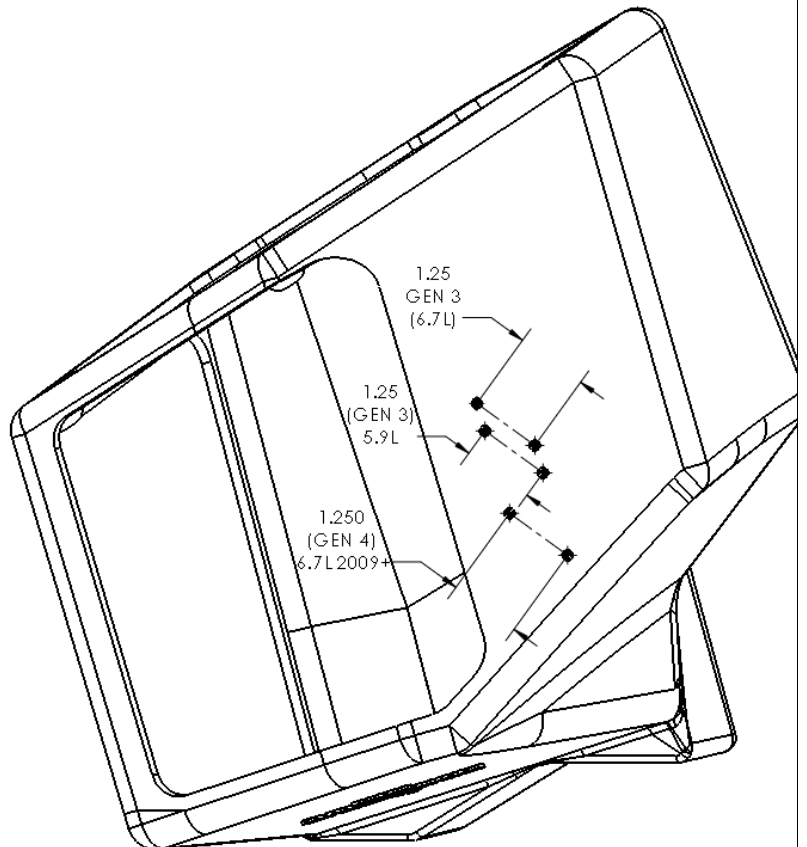
Ensure all connections and mounting hardware are tightened correctly at this point.

16. Locate the mounting position for your model truck from the diagram (to right).

Then drill the two mounting holes using a 6.6mm (G size) or 1/4" drill bit, in the appropriate dimpled spots.

Install the bracket onto the airbox using the supplied bolts (1130182), lock washer (1130183) and acorn nuts (1401574).

NOTE: If installing a **1045704** kit you will NOT need to drill the airbox.



BD ENGINE BRAKE, INC.

Plant Address: 33541 MacLure Rd, Abbotsford, BC, Canada V2S 7W2

US Shipping Address: 88-446 Harrison St, Sumas, WA 98295 | US Mailing Address: PO Box 231, Sumas, WA 98295

Phone: 1-800-887-5030 | Fax: 604-853-8749 | Internet: www.dieselpower.com

17. Remove the stock air box mounting grommets and install the supplied u-nuts (1456737).

Attach the bracket (1405412-3) onto the airbox using the supplied bolts (1130182), washer (1130183) and acorn nuts (1401574)

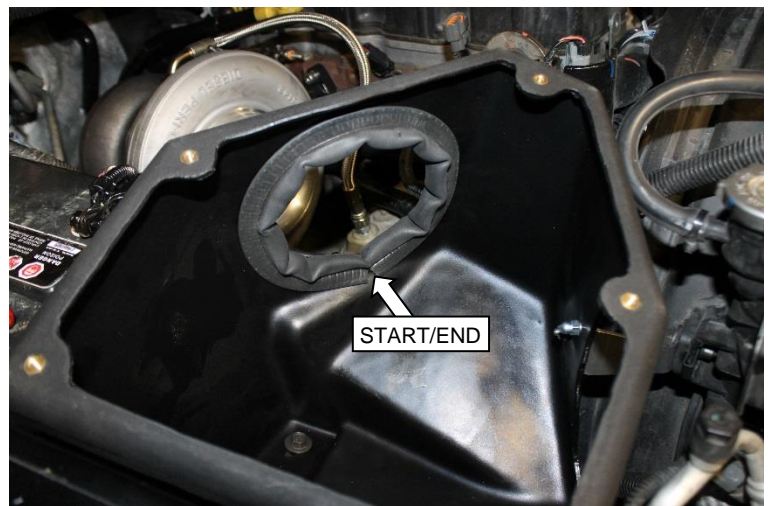
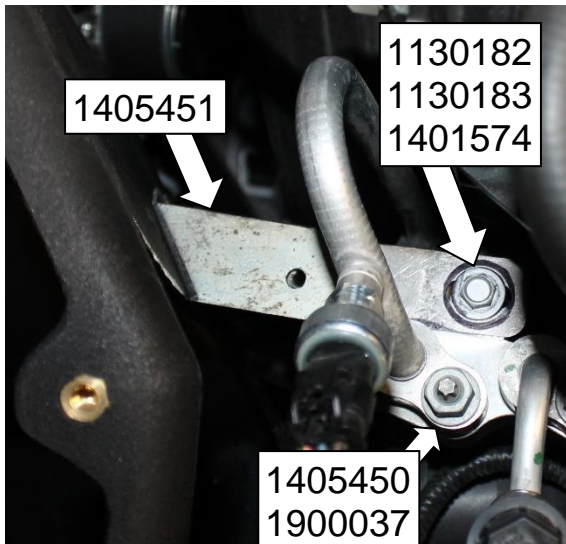
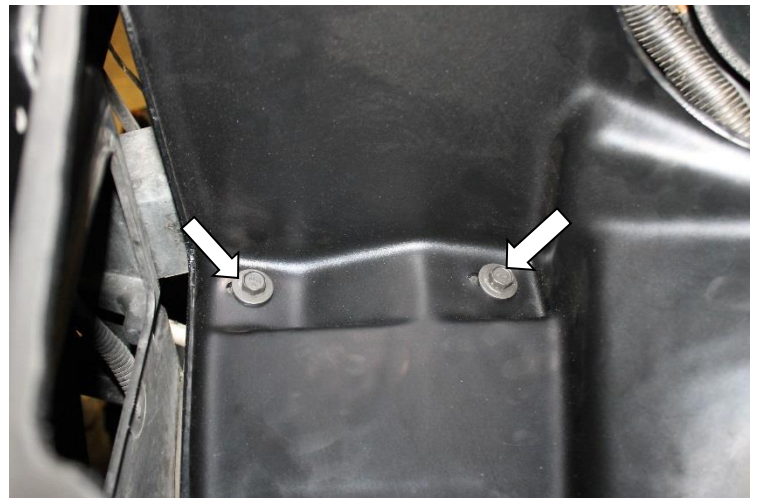
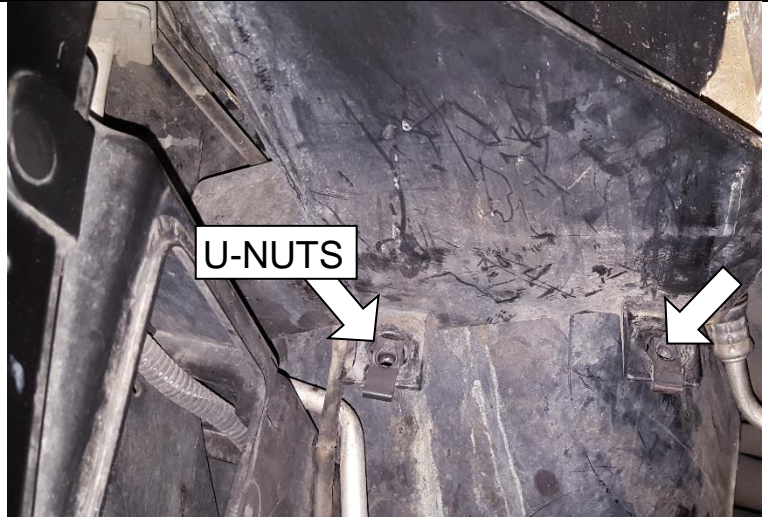
Mount the airbox assembly into the vehicle with the supplied 1456738 bolts and OE radiator shroud bolt.

Install the airbox seal.

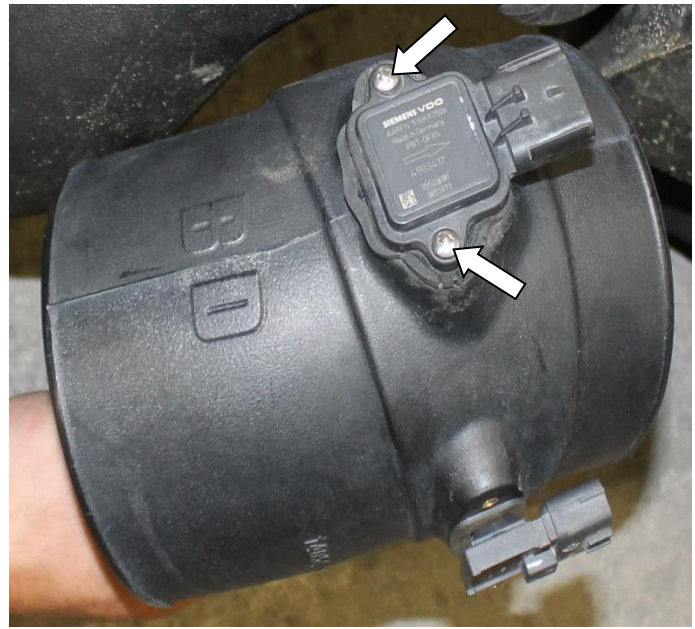
NOTE: The start/end of the seal should be at the bottom.

2013-2015 models only

Install air box mounting bracket to the a/c block located at the radiator.



18. Remove the MAF sensor and the air temp/pressure sensor from the OEM airbox assembly and install them onto the BD intake tube (1405415) using the supplied gaskets and supplied #8 pan screws.
(FT-0173590)
(Philips head screwdriver).

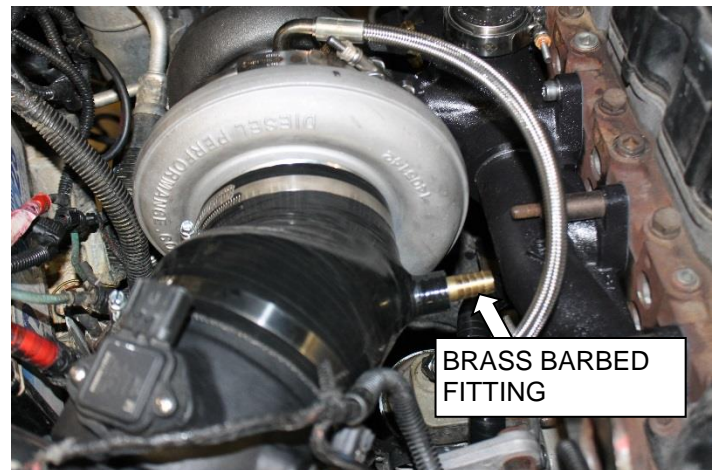


19. Place the air filter in the airbox and connect the plastic intake tube to the air filter.

Install the intake boot (1405416) onto the turbo ensuring the boot nipple is on the bottom side closest to the turbo compressor housing.

Rotate the boot and intake tube to proper alignment and tighten clamps (1405237 & 1453701).

****Note:** Picture shows S400 Turbo. Installation is very similar.



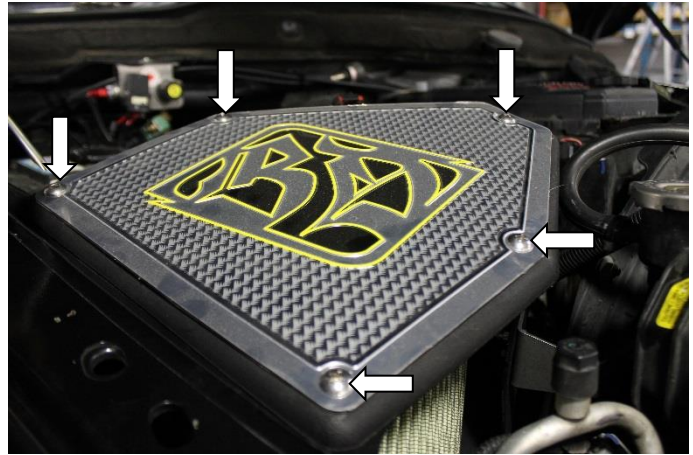
20. Connect the MAF & Air temp/pressure harnesses to their sensors.

Place the lid on top and fasten with the hardware included.

(1405422)

(Philips head screwdriver)

Insert brass fitting (1452820) into boot nipple (1405425).

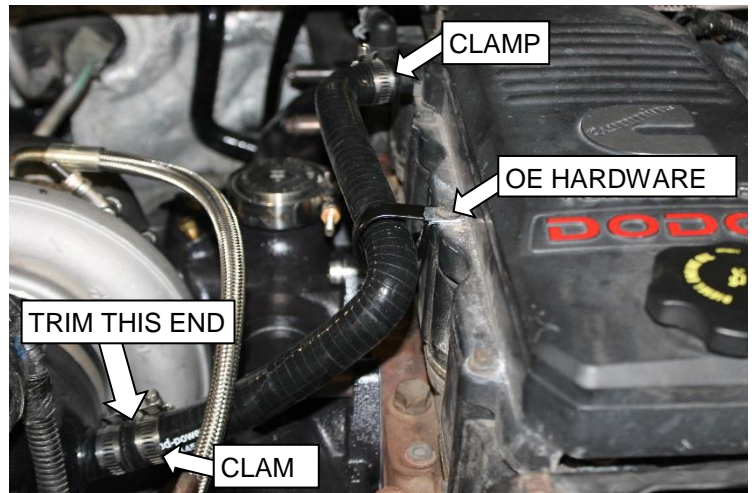


This hose will need to be trimmed before installation

21. Install the PCV venting hose (1453724) using the supplied clamps (1302198 x3) & (1400113) and OEM hardware. Check to make sure the hose will not rub.

Install the insulated clamp to the rocker cover to support the PVC hose.

****Note:** Picture shows S400 Turbo. Installation is very similar.



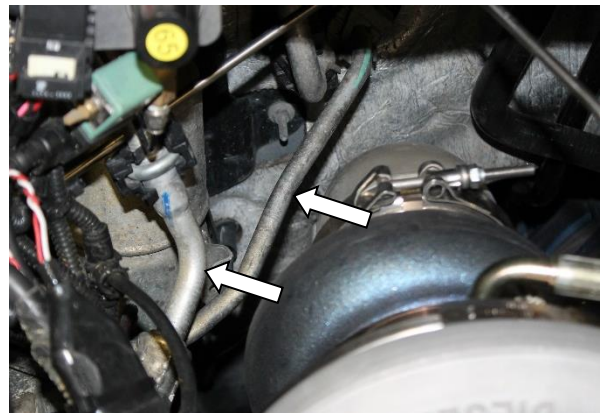
22. Attach the down pipe (1405455) to the turbine housing using the provided v-band clamp (1453602) and connect to your exhaust pipe.



DO NOT ADJUST THE DOWN-PIPE ONCE THE V-BAND CLAMP HAS BEEN TIGHTENED. FAILURE TO ADHERE TO THIS WILL DESTROY THE V-BAND CLAMP AND ITS ABILITY TO SEAL.



23. The AC lines & coolant bottle heat shield will need to be reshaped to avoid chaffing against the turbine housing/downpipe. Reshape these carefully out of the way.



24. Reshape positive battery clamp and cable end to fit with coolant reservoir clearance.



25. Reinstall the inner fender & wheel onto the Vehicle, refill coolant, and reconnect battery terminals.

8mm Socket

BE SURE TO PURGE THE AIR FROM THE COOLANT SYSTEM BEFORE RUNNING THE VEHICLE.



IMPORTANT When idled for any length of time some oil may leak from the turbo. If the performance/boost is satisfactory and the wheel is not touching the housing (There will be some small movement), the excess oil is not a concern. Simply wipe with a clean cotton cloth and continue use.

BD ENGINE BRAKE, INC.

Plant Address: 33541 MacLure Rd, Abbotsford, BC, Canada V2S 7W2

US Shipping Address: 88-446 Harrison St, Sumas, WA 98295 | US Mailing Address: PO Box 231, Sumas, WA 98295

Phone: 1-800-887-5030 | Fax: 604-853-8749 | Internet: www.dieselperformance.com