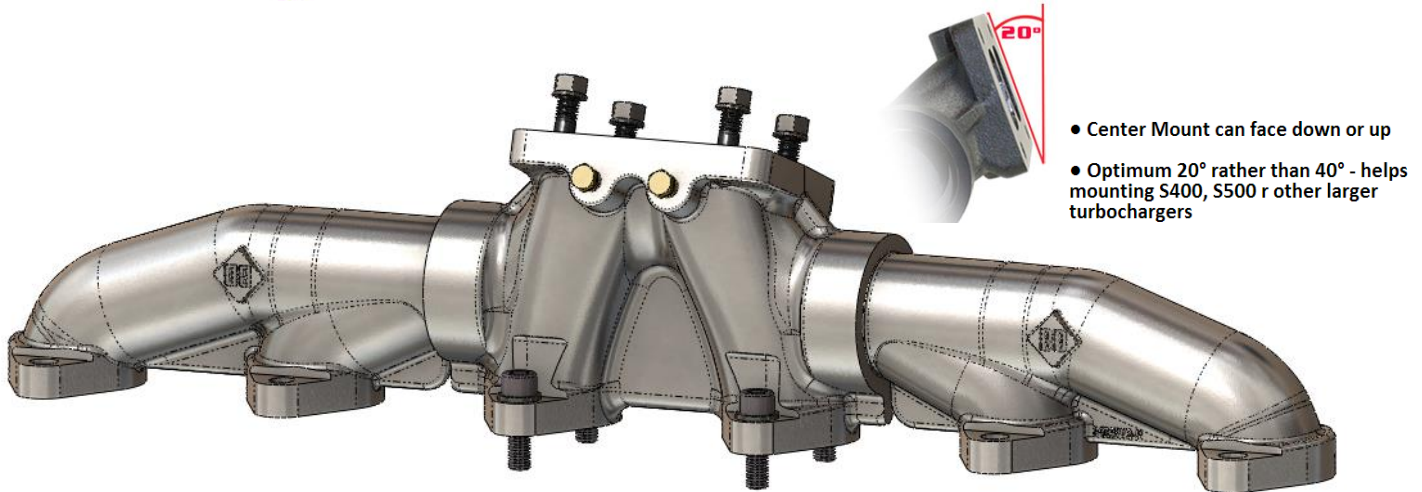




**DOWNLOAD ENHANCED
INSTALL MANUALS AT
*dieselperformance.com***



- Center Mount can face down or up
- Optimum 20° rather than 40° - helps mounting S400, S500 r other larger turbochargers

BD DODGE CUMMINS PERFORMANCE

5.9L / 6.7L RACE MANIFOLD

Application List		
1998½-2014	24V	1045995-T4
1998½-2014	24V	1045995-T6

UNLESS AN EO# IS LISTED, THIS PRODUCT IS LEGAL IN CALIFORNIA FOR RACING VEHICLES ONLY, WHICH MAY NEVER BE USED UPON A HIGHWAY.

Common Turbos with T4 or T6 mounts:

- Borg Warner S300 / S400 / S500
- Holset HX50 / HX55 / HX60 / HX82
- Garrett GT55 / GT47 / GT45 / GT42 / GT40

These manifolds are intended for the installation of competition turbos. Some modifications to vehicle / engine components will be necessary as this is a race product.

BD Engine Brake Inc.

Plant Address: 33541 MacLure Rd. Abbotsford, BC, Canada V2S 7W2

U.S. Shipping Address: 88-446 Harrison St, Sumas, WA 98295 U.S. Mailing Address: P.O. Box 231, Sumas, WA 98295

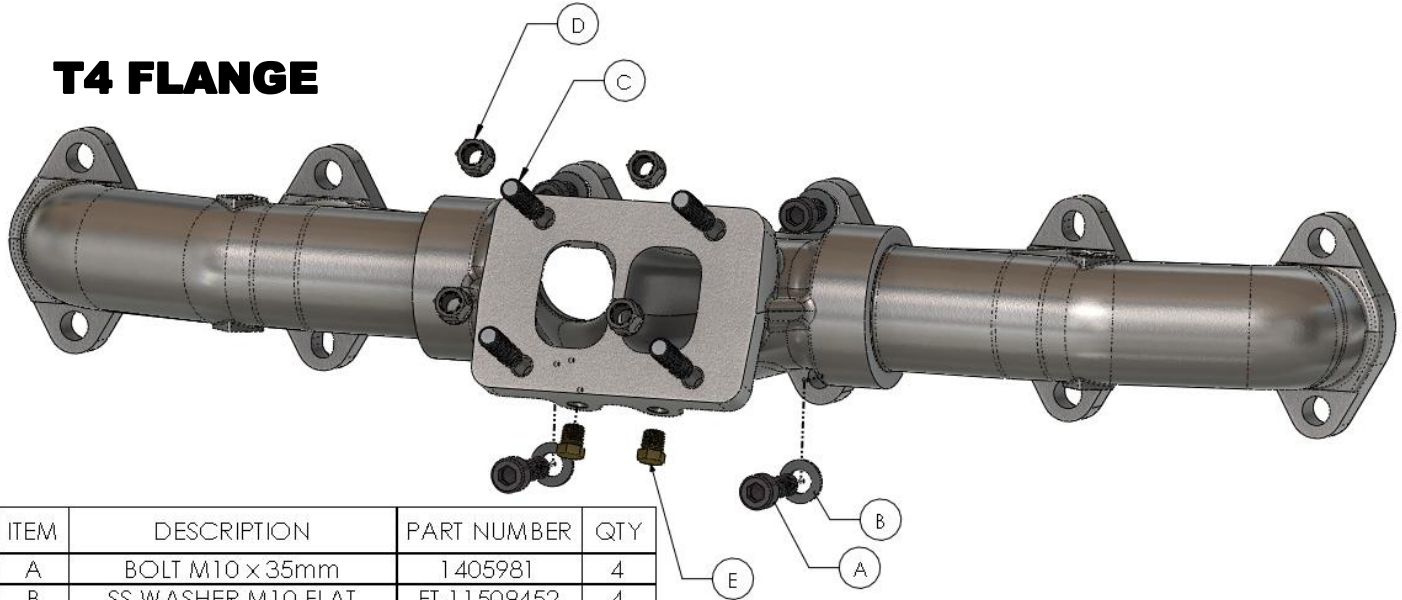
Phone: 604-853-6096 | Fax: 604-853-8749 | Internet: www.bd-power.com

GASKET REPLACEMENT PART NUMBERS

Description	Part #
T4 Manifold Gasket Set	1045986-T4
T6 Manifold Gasket Set	1045986-T6

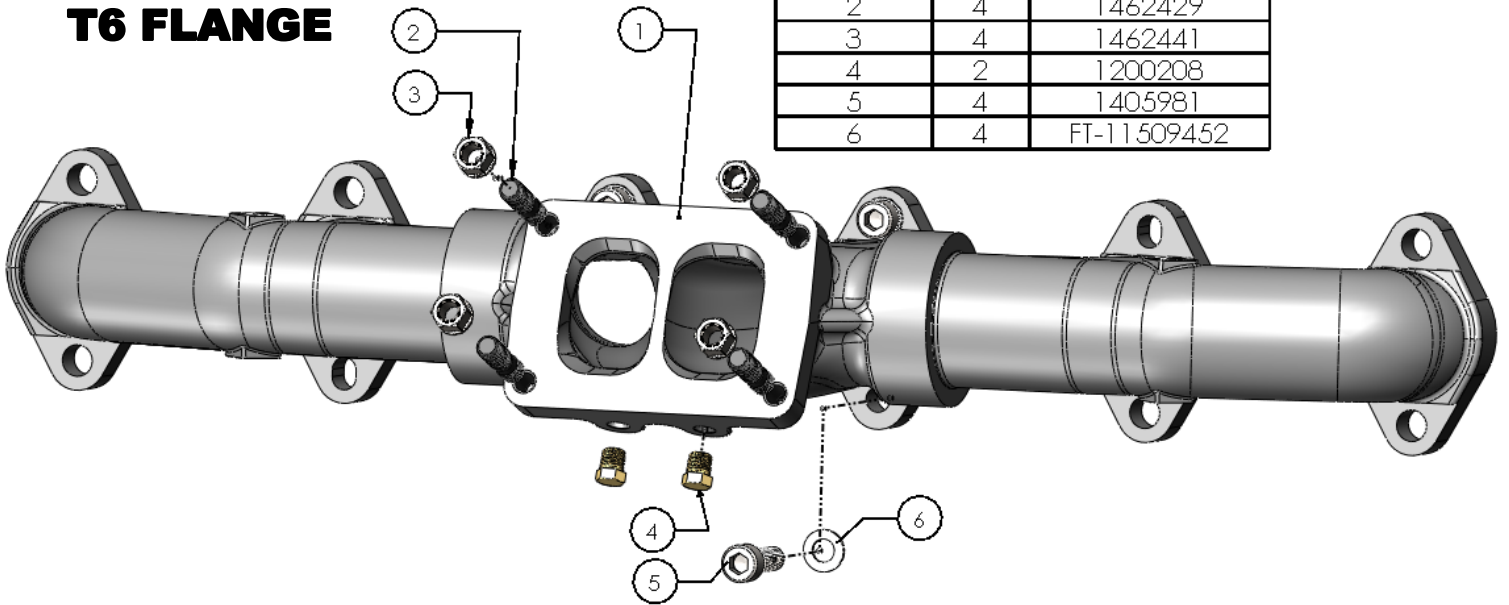
EXPLODED VIEW

T4 FLANGE



ITEM	DESCRIPTION	PART NUMBER	QTY
A	BOLT M10 x 35mm	1405981	4
B	SS WASHER M10 FLAT	FT-11509452	4
C	STUD M10 x 030	1462430	4
D	NUT M10 (SMALL FLANGE)	1462441	4
E	PLUG 1/8" NPT	1200208	2

T6 FLANGE



ITEM NO.	QTY.	PART NUMBER
1	1	1405973-T6
2	4	1462429
3	4	1462441
4	2	1200208
5	4	1405981
6	4	FT-11509452