



**DOWNLOAD ENHANCED
INSTALL MANUALS AT
*dieselperformance.com***



BD DODGE CUMMINS PERFORMANCE
EXHAUST MANIFOLD
Installation Instructions

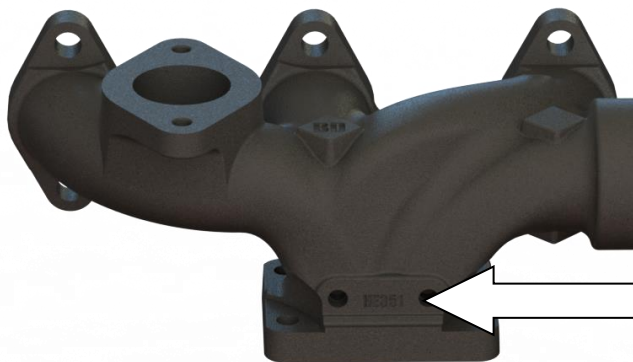
Application List		
2007-2015	6.7L / HE351 OE Turbo	1045965
2007-2015	6.7L / T4 S400 Turbo's	1045965-T4

PLEASE READ ALL INSTRUCTIONS BEFORE INSTALLATION

KIT CONTENTS:

Please check to make sure that you have all the parts listed in this kit **before** you start the disassembly of your truck.

DODGE 2007-2015 6.7L (HE351 OE Turbo) BD# 1045965			
1405967-HE		<p>HE351 Flange Dimensions</p>	
<p>Manifold</p> <p>Qty: 1</p>			
1462431	1462430	1200208	1462441
<i>Stud M10-1.5 X 025</i>	<i>Stud M10-1.5 X 030</i>	<i>Plug 1/8" NPT</i>	<i>Nut M10-1.5</i>
Qty: 4	Qty: 3	Qty: 2	Qty: 7

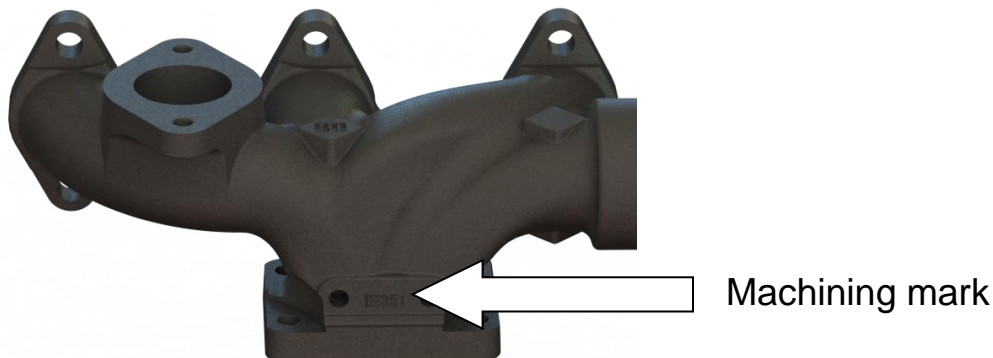


Machining mark

DODGE 2007-2015 6.7L (S400 Turbos) BD# 1045965-T4			
1405965-T4		<p>T4 Flange Dimensions</p>	
<p>Manifold</p> <p>Qty: 1</p>			
1462431	1462430	1200208	1462441
<i>Stud M10-1.5 X 025</i>	<i>Stud M10-1.5 x 030</i>	<i>Plug 1/8\"/> </i>	<i>Nut M10-1.5</i>
Qty: 8	Qty: 2	Qty: 2	Qty: 10

Note the 1045965-T4 manifold will only fit custom installations with a T4 mounted turbocharger.

Please check to ensure you have received the correct manifold before installation. There will be a machine mark above the turbo mounting flange.



Options

Description	Part #
Dodge 6.7L Intake Horn 2008-2009	BD # 1041560
Dodge 6.7L Intake Horn 2010-2012	BD # 1041561
Dodge 6.7L Grid Heater 2008-2012	BD # 1041562
Dodge 6.7L Throttle Sensitivity Booster 2007-2014	BD # 1057712
Exhaust Manifold Gasket Kit 2008-2015 OEM Turbo Mount	BD # 1045992
Exhaust Manifold Gasket Kit 2008-2015 T4 Turbo Mount	BD # 1045992-T4

BD Engine Brake Inc.

Plant Address: 33541 MacLure Rd. Abbotsford, BC, Canada V2S 7W2

U.S. Shipping Address: 88-446 Harrison St, Sumas, WA 98295 U.S. Mailing Address: P.O. Box 231, Sumas, WA 98295

Phone: 604-853-6096 | Fax: 604-853-8749 | Internet: www.bd-power.com

Removal

1. Disconnect the battery negative cables. Drain the coolant. Raise and secure vehicle on hoist.

2. Next unplug the stepper (servo) motor connector and remove the two bolts (8mm) that hold the motor to the stepper motor bracket. Then release the cable to remove the motor from the vehicle.



BD Engine Brake Inc.

Plant Address: 33541 MacLure Rd. Abbotsford, BC, Canada V2S 7W2

U.S. Shipping Address: 88-446 Harrison St, Sumas, WA 98295 U.S. Mailing Address: P.O. Box 231, Sumas, WA 98295

Phone: 604-853-6096 | Fax: 604-853-8749 | Internet: www.bd-power.com



3. Loosen the two nuts to remove the upper heat shield. (10mm)



5. Remove the air box and intake hose. Remove the air filter inlet hose from the turbo inlet.



BD Engine Brake Inc.

Plant Address: 33541 MacLure Rd. Abbotsford, BC, Canada V2S 7W2

U.S. Shipping Address: 88-446 Harrison St, Sumas, WA 98295 U.S. Mailing Address: P.O. Box 231, Sumas, WA 98295

Phone: 604-853-6096 | Fax: 604-853-8749 | Internet: www.bd-power.com

6. Remove the top bolt from the lower heat shield (10mm) then the other two (8mm) bolts to release the lower heat shield.



7. Remove the three bolts for the stepper motor bracket (10 mm) socket and prop the bracket on the cooler.



BD Engine Brake Inc.

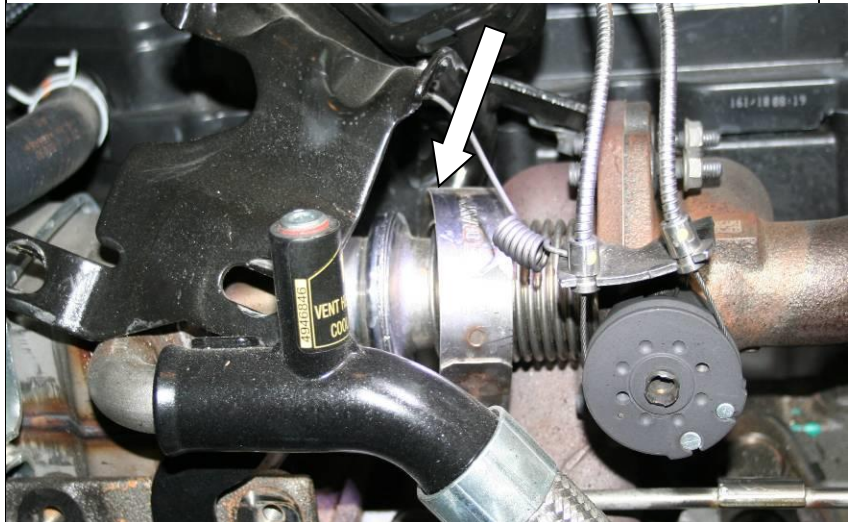
Plant Address: 33541 MacLure Rd. Abbotsford, BC, Canada V2S 7W2

U.S. Shipping Address: 88-446 Harrison St, Sumas, WA 98295 U.S. Mailing Address: P.O. Box 231, Sumas, WA 98295

Phone: 604-853-6096 | Fax: 604-853-8749 | Internet: www.bd-power.com



8. Loosen the clamp (11mm) that connects the EGR Flow Direction Valve to the cooler and slide the clamp towards the valve.



9. Using a (15mm) socket remove the outer nut for the exhaust flange of the flow valve at the manifold.

Using a socket with swivel or a wrench, remove the inner nut from the other side of the flange.



BD Engine Brake Inc.

Plant Address: 33541 MacLure Rd. Abbotsford, BC, Canada V2S 7W2

U.S. Shipping Address: 88-446 Harrison St, Sumas, WA 98295 U.S. Mailing Address: P.O. Box 231, Sumas, WA 98295

Phone: 604-853-6096 | Fax: 604-853-8749 | Internet: www.bd-power.com



10. Remove the EGR flow direction valve from the vehicle.



11. Remove the bolt that holds the CCV hose to the cooler then disconnect the clamp at the valve cover to remove the hose assembly.



12. Remove the four bolts for the cooler and the nut that holds the transmission dip stick tube in place. Then nudge the tube out of the way to access the nut under the dip stick bracket.



BD Engine Brake Inc.

Plant Address: 33541 MacLure Rd. Abbotsford, BC, Canada V2S 7W2

U.S. Shipping Address: 88-446 Harrison St, Sumas, WA 98295 U.S. Mailing Address: P.O. Box 231, Sumas, WA 98295

Phone: 604-853-6096 | Fax: 604-853-8749 | Internet: www.bd-power.com

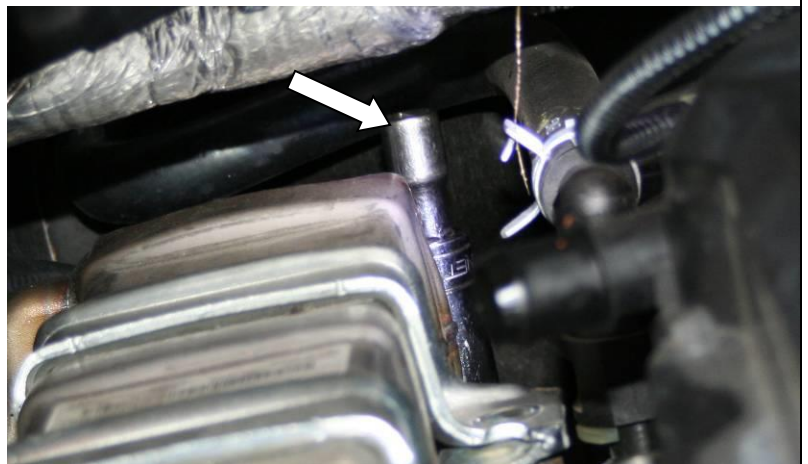


13. Remove the EGR coolant hose from the cylinder head to the cooler. (All bolts should be already removed) the hose is held in by orings. Remaining coolant will drip out.

****optional**** Plug the cooler to avoid further drainage.



14. Remove the coolers two rear bolts that attach it to the exhaust system (15mm)



BD Engine Brake Inc.

Plant Address: 33541 MacLure Rd. Abbotsford, BC, Canada V2S 7W2

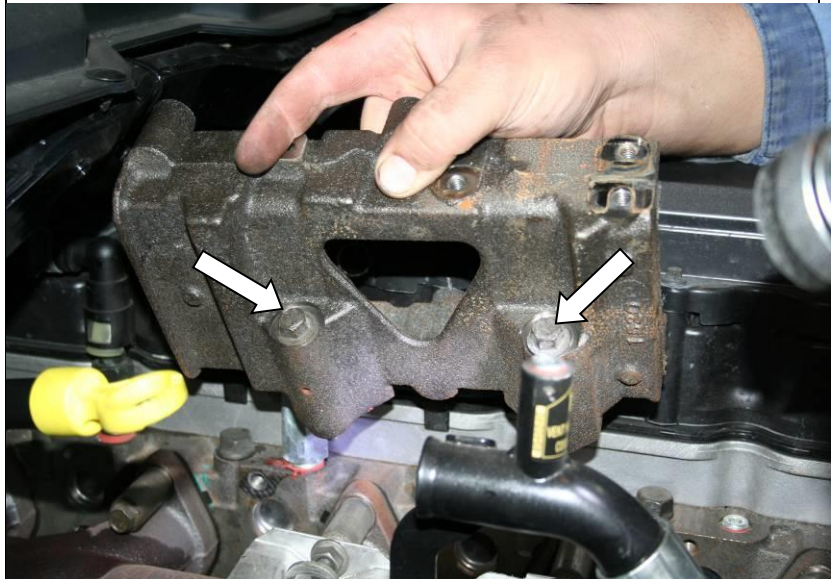
U.S. Shipping Address: 88-446 Harrison St, Sumas, WA 98295 U.S. Mailing Address: P.O. Box 231, Sumas, WA 98295

Phone: 604-853-6096 | Fax: 604-853-8749 | Internet: www.bd-power.com

15. Prop the cooler above the studs and push towards the cab holding the other coolant hose to release the oring fitting to remove the cooler from the vehicle.



16. Remove the cooler mount bolts to the head (13mm socket) and remove the cooler mount from the vehicle.



17. Remove the delta-P line bracket capscrew nuts and remove the delta-P line from the exhaust manifold and thermostat housing.

18. Remove the heat shield and noise panel (if equipped) from the exhaust manifold

19. Remove the coolant lines from the turbo, then remove the oil feed & oil drain lines. Disconnect the down pipe. Disconnect the CAC at the turbo outlet. Remove the four turbocharger mounting nuts to remove the turbo.

20. Remove the two (2) rear exhaust manifold cap screw lock plates.

BD Engine Brake Inc.

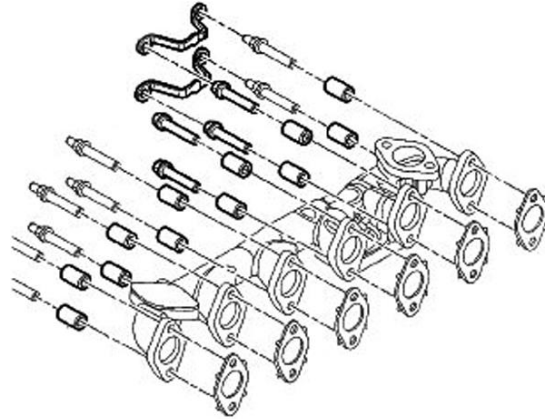
Plant Address: 33541 MacLure Rd. Abbotsford, BC, Canada V2S 7W2

U.S. Shipping Address: 88-446 Harrison St, Sumas, WA 98295 U.S. Mailing Address: P.O. Box 231, Sumas, WA 98295

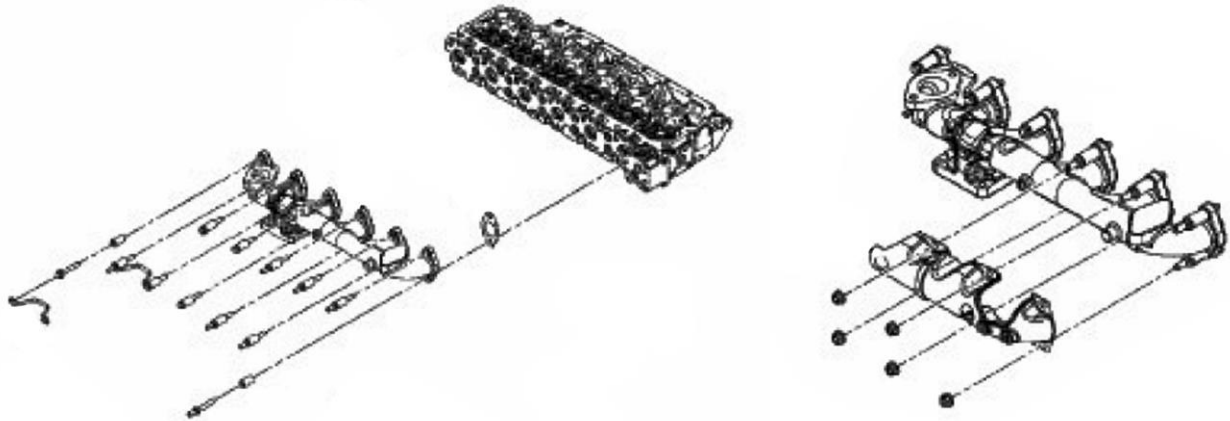
Phone: 604-853-6096 | Fax: 604-853-8749 | Internet: www.bd-power.com

21. Remove the Cab Heater tubing/bracket from the exhaust manifold stud.

22. Remove the exhaust manifold.



Installation



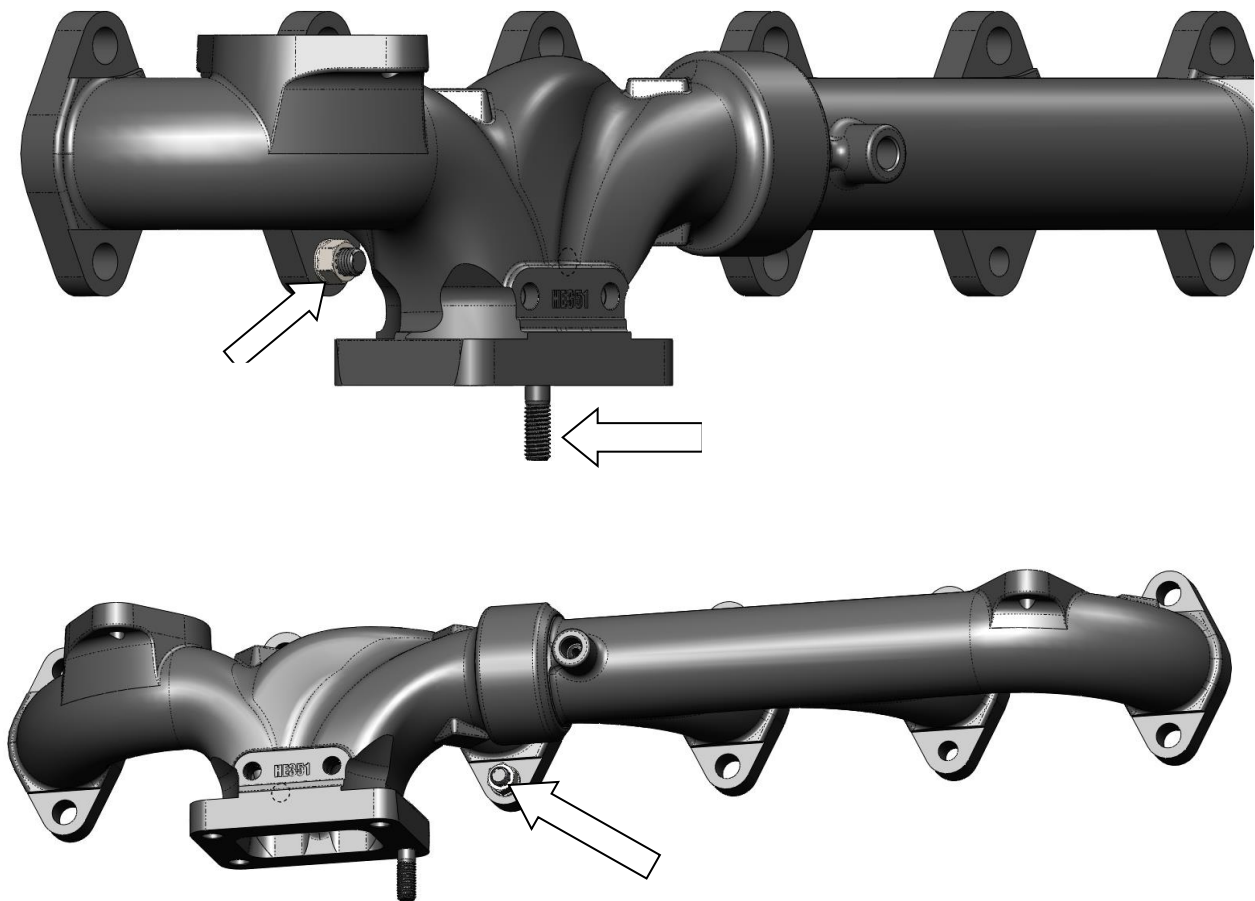
1. Clean the cylinder head exhaust port gasket surfaces.

2. Install supplied studs into BD manifold (see table below for locations)

HE351 Manifold	T4 Manifold
(4) 1462431 - In EGR port location s	(8) 1462431 - In all threaded holes
(1) 1462430 - In turbo mount threaded hole	(1) 1462430 – Lower Exhaust Port #5
(1) 1462430 – Lower Exhaust Port #5	

HE351 shown below.

Note the 30mm stud location. All EGR ports use a 25mm long stud



Arrow point to the locations of 30mm studs. All 25mm studs are installed in the EGR ports.

BD Engine Brake Inc.

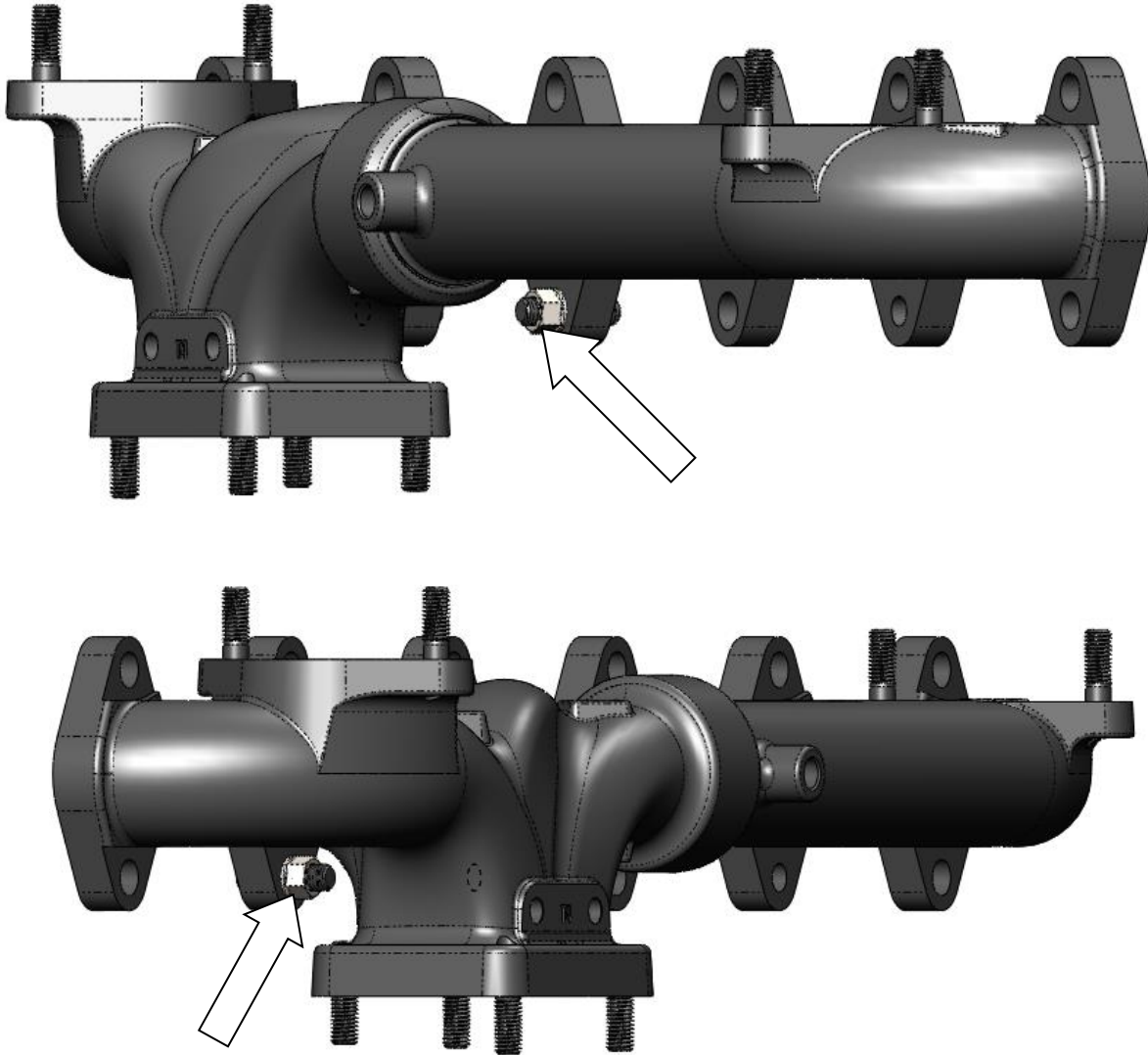
Plant Address: 33541 MacLure Rd. Abbotsford, BC, Canada V2S 7W2

U.S. Shipping Address: 88-446 Harrison St, Sumas, WA 98295 U.S. Mailing Address: P.O. Box 231, Sumas, WA 98295

Phone: 604-853-6096 | Fax: 604-853-8749 | Internet: www.bd-power.com

T4 shown below.

Note the 30mm stud locations. All EGR ports and turbo mounts use a 25mm long stud



Arrows point to the locations of 30mm studs. All 25mm studs are installed in the EGR ports and T4 flange.

BD Engine Brake Inc.

Plant Address: 33541 MacLure Rd. Abbotsford, BC, Canada V2S 7W2

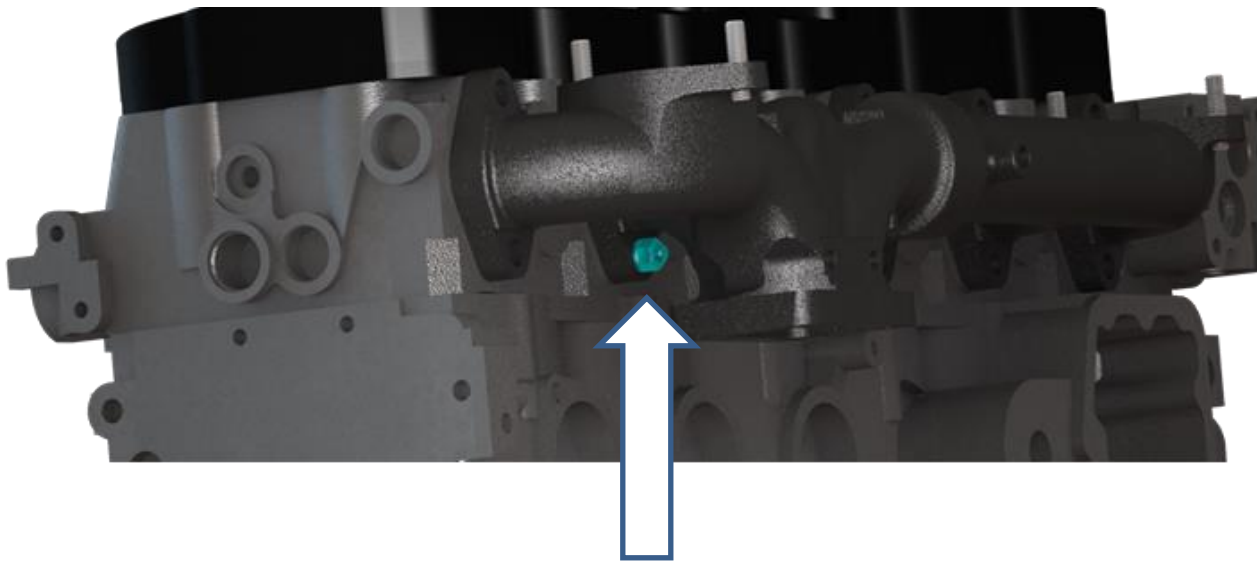
U.S. Shipping Address: 88-446 Harrison St, Sumas, WA 98295 U.S. Mailing Address: P.O. Box 231, Sumas, WA 98295

Phone: 604-853-6096 | Fax: 604-853-8749 | Internet: www.bd-power.com

1. Install exhaust manifold with one factory bolts and the 1462430 studs to hold in place.
 - a. Using one the supplied M10 x30mm studs, insert the stud at the lower mount of exhaust of cylinder 5. Lift the manifold into place as use this stud as the support. Don't forget to install the gasket.
 - b. Then insert a factory bolt at the lower threaded mount of cylinder 2 with the gasket. Keep this bolt loose.
 - c. You will then need to thread the supplied M10 nut on the M10 stud you installed earlier. It will be quite a challenge but can be done. You should be able to fit a boxed end wrench on the nut.



Use stud & nut

Factory bolt
mounting location

- The five exhaust manifold cap screws with studs are used at the No. 1 and No. 2 cylinder locations for the heat shield mounting and one on the rear lower corner of the manifold for the cabin heater tube bracket.



- Install remaining bolts and spacers with new gaskets.

- Starting from the center and moving in a pattern outward, tighten the exhaust manifold bolts to 43 N·m (32 ft. lbs.)

- Install the exhaust manifold capscrew lock plates.

- Install the exhaust manifold heat shields/noise panels. Tighten the mounting nuts to 24 N·m (18 ft. lbs). **Note you will need to reform the heat shield.**



8. Install the turbocharger.

NOTE: If you are installing the T4 flange manifold, please refer to the install manual provided with your turbocharger for the completion of installation.

9. Attach the mounting tabs and start the delta-P tube to exhaust manifold and thermostat capscrews.

10. Tighten the delta-P line bracket nut to 24 N·m (18 ft. lbs.).

11. Tighten the delta-P line bracket bolt to 10 N·m (89 in. lbs.).

12. Tighten the delta-P flare nuts to 10 N·m (89 in. lbs.).

13. Install the EGR cooler, using the existing hardware provided. Follow removal of EGR in reverse.

14. Install the air filter housing.

15. Re-fill the water system with coolant.

16. Connect the battery negative cables

17. Start the engine to check for leaks.

RE-TORQUE ALL BOLTS AFTER AT LEAST ONE HEAT CYCLE

BD Engine Brake Inc.

Plant Address: 33541 MacLure Rd. Abbotsford, BC, Canada V2S 7W2

U.S. Shipping Address: 88-446 Harrison St, Sumas, WA 98295 U.S. Mailing Address: P.O. Box 231, Sumas, WA 98295

Phone: 604-853-6096 | Fax: 604-853-8749 | Internet: www.bd-power.com