



FILTERS

COLD AIR INTAKE

INSTALLATION INSTRUCTIONS:

P/N: 75-5085 / 75-5085D





FILTERS

BREATHE EASY. YOUR ENGINE & WARRANTY ARE PROTECTED.™

Thank You! for purchasing your new S&B Filters intake kit. If at any time you need additional assistance with installation or have any other questions or comments, feel free to call our customer service department at 909-947-0015. You can also take advantage of our live chat at www.sbfilters.com and connect with an S&B representative immediately. We hope you enjoy your new S&B Filters product and thank you for your continued support. Breathe Easy. Your Engine and Warranty Are Protected.

VEHICLE APPLICATION:

YEAR: 2017 - 2018

MAKE: Ford

MODEL: F-250/F-350 Superduty

ENGINE: 6.7L Powerstroke

APPROX. INSTALL TIME: 1HRS | 30MIN

TOOLS REQUIRED:

- 7mm, 8mm, 10mm (Deep), 13mm Wrench/ Socket
- 5/16" Nut Driver or Flat Blade Screwdriver
- Phillips Screwdriver
- Panel Popper
- Heat Gun (or other heat source)
- T20 Torx
- Wire Cutters

NOTES:

Kit may not fit with the following Aftermarket Parts installed:

- Body Lift or Lowering Kit
- Custom Hood
- Throttle Body Spacer/ Upgrade

CARB STATUS - EXEMPT

Product will be submitted to Air Resources Board for approval shortly.

Not Legal for use in CA or other states adopting CA emissions standards"
See Page 2 for more info.

S&B FILTER MAINTENANCE:

- Cleanable (KF-1063). If the enclosed filter is Red, it came preoiled from the factory. Please visit www.sbfilters.com for exact oil amount required after cleaning.
- Disposable (KF-1063D). If the enclosed filter is White, it is a disposable filter and should be discarded once it reaches capacity. This filter **does not require oil**. For more info on S&B's disposable filter, visit www.sbfilters.com.
- Foam Filter: Service and check the condition of your Foam Filter (L) every time you service your air filter. Wash it with water or gently blow it off with compressed air. If it can't be cleaned with water or compressed air, or it is torn or damaged, please replace the foam filter. **HP1473-00** is the replacement foam kit that includes (1) Foam Filter, (1) Foam Retainer, and (3) Screws.

BEFORE YOU START

- Please read the entire product guide before proceeding.
- Ensure all components listed on pages 3 & 4 are present.
- If you are missing any of the components, call our customer support at (909) 947-0015.
- Do not work on your vehicle while engine is hot.
- Make sure the engine is turned off and the vehicle is in Park or the Parking Brake is set.

GENERAL INFORMATION AND WARNINGS

Operation in snow and rain

If you are driving in heavy snowfall or extreme rain conditions, you should always check for accumulated snow and water on the air filter.

The following is recommended after operating the vehicle up to 100 miles in heavy snowfall or extreme rain: At the earliest opportunity, open the hood and check the air box and filter. If any snow has accumulated, make sure to remove the snow from the filter, box, and inlet. It is ok if the filter is a little wet. Wet filters will normally dry out on their own. If the filter is dripping wet, it should be replaced with another filter that is not wet. Do not reuse the dripping wet filter until it has naturally dried.

Air Box Plug Testing

Stock intake boxes are a significant contributor to poor air flow which is why S&B designs custom air boxes with secondary and/or enlarged openings. With that said, S&B recognizes the benefits of cooler air, so we have included a plug to seal off the opening if so desired. For optimal performance, we recommend that the intake be used without the end cap except in conditions of extreme heatwave.

Performance Testing

- After your installation is complete engage parking brake and start your engine. Listen for abnormal noises. If an air leak is detected, re-inspect hoses and connections as they may need to be repositioned and tightened.
- S&B FILTERS recommends that you keep your OE intake system in the event it is required in the future.
- In order to maintain your warranty, all connections and components must be checked periodically for alignment and for proper tension on all connections. Failure to do so may void your warranty.
- Use only S&B FILTERS cleaning and oil products to service your filter. Using any other brand oil and/or cleaners on your S&B air filter may void your warranty.

Periodically check the following:

- Intake Tube (C) and Filter (D) connections, Intake Box (A) fasteners, and Battery Tray (W) fasteners, making sure they are tight.
- All electrical connections and wire harnesses moved during the installation of the intake and make sure they are secure and away from any hot or moving components.
- Check for any signs of abrasion or wear and tear on the intake tube, box, filter, and electrical harnesses moved or near the intake and repair/replace as necessary.

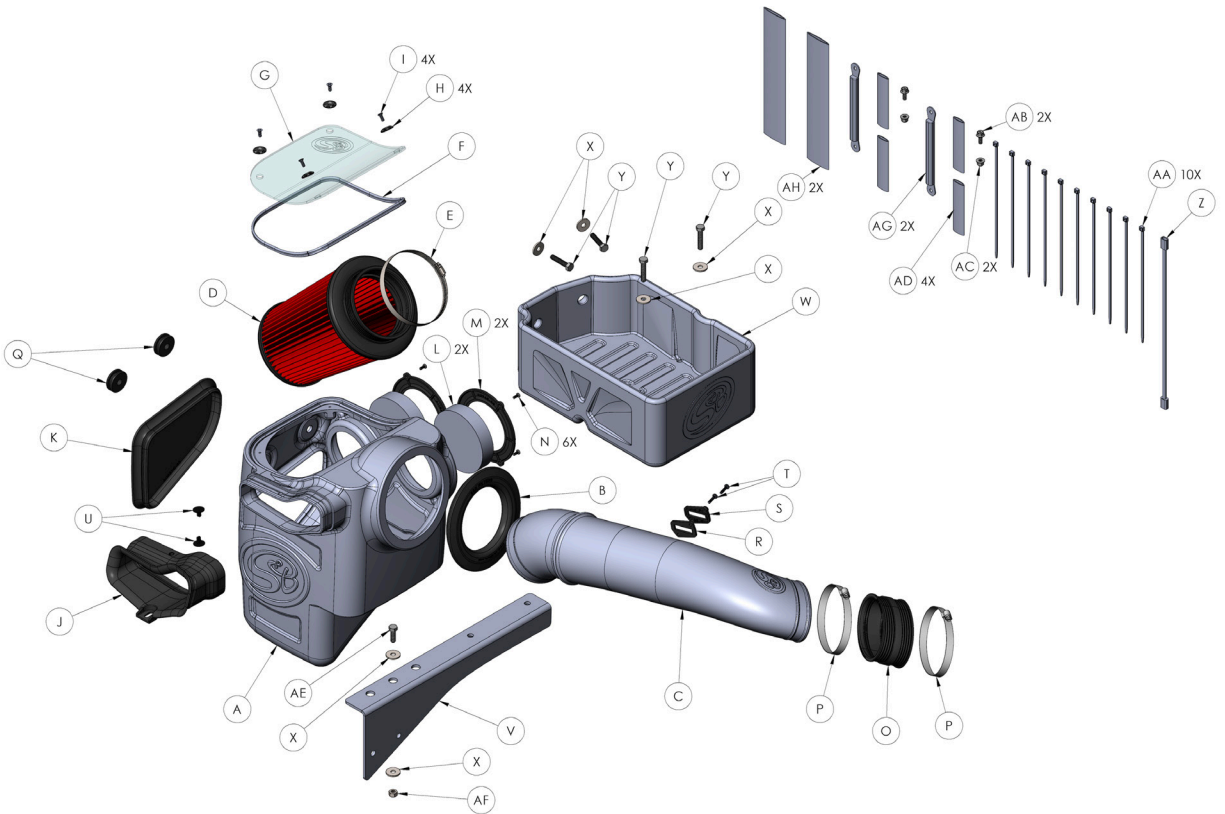
Emissions Standard

The California Air Resource Board (CARB) requires that an E.O. Identification label be applied to the vehicle in order to pass a smog check inspection when a Performance Intake Kit has been installed. You must place the E.O. Label provided on or near the intake kit after installation so that a smog check technician can easily verify the E.O. Number. Check the status of the exemption process by looking up a specific part number at www.sbfilters.com. The CARB Exemption number and/or status is listed under the Product Details section for each part number. If the status shows as "Pending," CARB has yet to issue an exemption but the product has been submitted. Products that have not been issued an E.O. number are street legal in most states, but may not be used on emission controlled vehicles in the state of California and are for off road use only. If you purchased your kit from S&B Filters directly, we will automatically mail you your Exemption Sticker when it is issued to us. If you purchased your kit from an authorized S&B Filters Dealer, log onto our web site and register to receive your Exemption Sticker.

If your vehicle has a Vehicle Emission Control Information decal affixed to the factory airbox, a new replacement label must be obtained and installed in a readily visible position in the engine compartment in order to remain CARB compliant. Failure to do so will prevent the vehicle from passing a smog check. Replacement labels can be ordered from your local dealership. Regulations state that the VECI label shall not be affixed to any equipment which is easily detached from the vehicle. Label placement, under the hood on a painted surface is recommended.



EXPLODED VIEW:



PARTS LIST: 75-5085/75-5085D

ITEM	QTY	DESCRIPTION	PART NUMBER
A	1	INTAKE BOX	AL1298B-00
B	1	TUBE SEAL	AI1650C-00
C	1	INTAKE TUBE	AL1298-00
D	1	AIR FILTER	KF-1063
E	1	HOSE CLAMP, #72	AG1009-00
F	1	LID SEAL	AI1766-07
G	1	CLEAR LID	AI1959-00
H	4	LID WASHER, #10	AI2006-00
I	4	SCREW, FLAT HEAD, #10-24 X 1/2"	AI2005-00
J	1	BOX INLET	AI1956C-00
K	1	BOX PLUG	AI1957C-00
L	2	FOAM FILTER	AI1961-00
M	2	FOAM RETAINER	AL1960-00
N	6	SCREW, PAN HEAD, M4	AI11473-00
O	1	COUPLER	AI1523C-00
P	2	HOSE CLAMP, #72	AG1009-00
Q	2	GROMMET	AI1618-00
R	1	GASKET, MAF MOUNT	AI1823-00
S	1	MAF MOUNT	AI1822-00
T	2	SCREW, SEMS, #8-32	AI1837-00
U	2	PLASTIC RIVET, INTERLOCKING SHANK, 1/4"	AI1762-00
V	1	BATTERY TRAY BRACKET	AI1958-00
W	1	BATTERY TRAY	AL1298T-00
X	6	WASHER, FENDER, M8	AI1742-00
Y	4	SCREW, HHCS, M8	AI2064-00
Z	1	MAF HARNESS EXTENSION	AI1481-00
AA	10	CABLE TIE	AI1750-00
AB	2	BOLT, HEX FLANGE, M6	AI2014-00
AC	2	LOCKNUT, FLANGE, NYLON INSERT, M6	AI2015-00
AD	4	HEAT SHRINK	AI2019-01
AE	1	SCREW, HHCS, M8	AI1214-00
AF	1	LOCKNUT, M8	AI1736-00
AG	2	BATTERY CABLE EXTENSION	AI2007-00
AH	2	FABRIC HEAT SHRINK	AI2107-01

HARDWARE PACKS

HP1494-00
AG1009-00
HP1407-00
AI1837-00
AI1822-00
AI1823-00
HP1490-00
AI1163-00
AI1742-00
HP1491-00
AI1214-00
AI1742-00
AI1736-00
HP1492-00
AI1618-00
AI1762-00
HP1474-00
AI2005-00
AI2006-00
HP1473-00
AI1961-00
AI1960-00
HP1472-00
AI1473-00
HP1493-00
AI1481-00
AI1750-00
AI2019-01
AI2014-00
AI2015-00
AI2007-00
AI2107-01
HP1495-00
AI1959-00
AI1766-07

AM0344-00 REV-I 05/07/2018

INSTALLATION STEPS:

- 1** With the ignition switched off and the parking brake set, Disconnect the negative battery cables on both batteries and positive battery cable on the passenger side only. **Note: Failure to disconnect the battery may cause the CEL to illuminate upon completion of the installation and subsequent operation. Do not skip this step!**
Tool Required: 10mm Socket/Wrench



- 2** Remove the two nuts on the battery hold down bracket, then remove the negative battery cable mounting tab and hold down bracket from the battery. Set the hardware aside they will be reused in Step 25.
Tool Required: 10mm Deep Socket/Wrench



- 3** Remove the battery and battery blanket from the vehicle. The battery is heavy so be extra careful when taking it out. The battery is also filled with battery acid so remember to keep it level to prevent the acid from spilling out the top.
Safety Note: Wear appropriate safety glasses and protective gloves for battery removal and installation.



- 4** Disengage the red locking clip, press down on the tab, then pull out to disconnect the MAF sensor harness from the MAF sensor.



- 5** Disconnect the hoses attached to the stock intake tube.



- 6** Loosen the hose clamp connected to the stock intake box and turbo inlet then remove the stock intake tube from the vehicle.
Tool Required: 7mm Socket/Wrench



7 Remove the two screws securing the stock intake box.
Tool Required: 8mm Socket/Wrench



8a Pop out the harness clip attached to back of the stock intake box.
Tool Required: Panel Popper or Flat Blade Screwdriver



8b Lift up the stock intake box slightly to unseat the prongs from the stock grommets then remove the stock intake box from the vehicle.



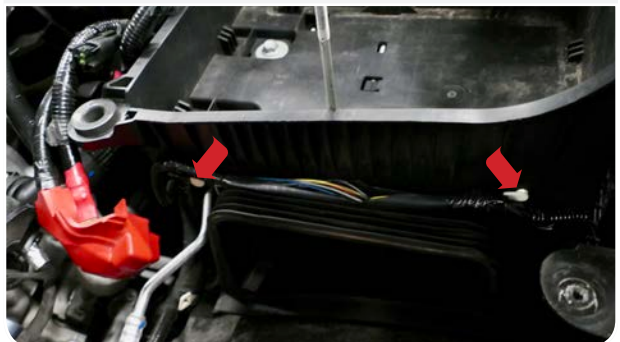
9 Pop out the stem and remove the push in rivet securing the front inlet. Set the push in rivet aside, it will be reused in Step 44.
Tool Required: Panel Popper or Flat Blade Screwdriver



10 Pop out all the wire harness clips secured to the side of the battery tray.
Tool Required: Panel Popper or Flat Blade Screwdriver



11 Pop out the two harness clips on the back of the battery tray.
Tool Required: Panel Popper or Flat Blade Screwdriver



INSTALLATION STEPS:

- 12** Remove the four screws then remove the battery tray from the vehicle. Set the screws aside, they will be reused in Step 14 and 39.
Tool Required: 13mm Socket/Wrench



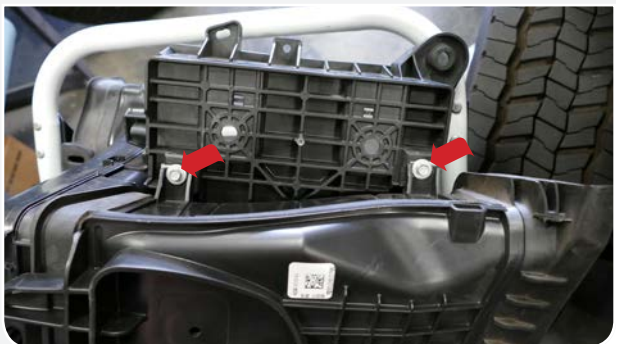
- 13** Remove the two screws then remove the stock intake box bracket from the vehicle.
Tool Required: 10mm Socket/Wrench



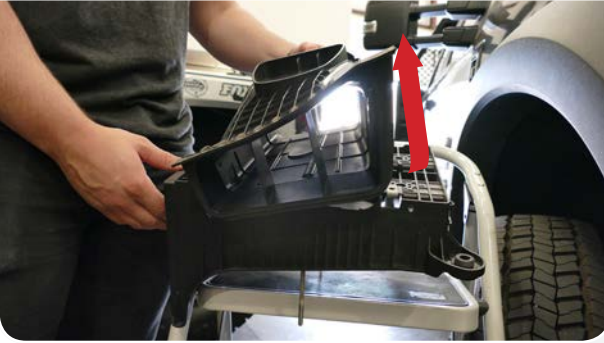
- 14** Remove the AC line clip and electrical harness clip that is attached to the frame before installing the Battery Tray Bracket (V). Make sure that the flange on the battery tray bracket is on the side facing the engine, then align the three mounting holes on the battery tray bracket with the three mounting holes on the frame. Loosely install the M8 Screw (AE), Washers (X) and M8 Locknut (AF) into the center mounting hole and stock screws from Step 12 into the bracket. This is to prevent the bracket from spinning and keeping all the mounting holes from becoming misaligned. Do not fully tighten yet. Reinsert the AC line clip and electrical harness clip into the holes provided in the side of the battery tray bracket.
Tool Required: Panel Popper, 13mm Socket/Wrench



- 15** Remove the stock hold down U-bolt from the stock battery tray by first removing the two screws underneath securing the stock battery tray to the stock intake inlet.
Tool Required: 8mm Socket/Wrench



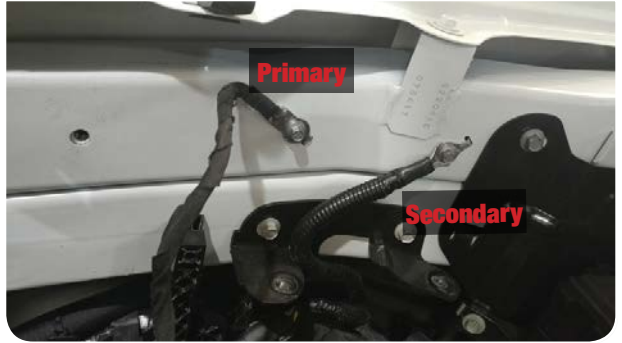
16 Push the locking tabs and lift the stock inlet away from the stock battery tray and pop out the hold down U-bolt.



17 Install the stock hold down U-bolt onto the Battery Tray (W). The stock hold down U-bolt should be installed as shown below. The longer end should be closest to the longer side of the Battery Tray (W). Use a Cable Tie (AA) through the center of the battery tray to secure the hold down U-bolt.



18 Check to see if you have one or two ground cables attached to the fender as shown. Some trucks have only the primary ground and others have both the primary and secondary grounds.



19 Skip this step if you only have the primary ground. Remove the grounding bolt that attach the primary and secondary grounds to the fender. Set the grounding bolts aside as they will be used in Step 20 and 23. Feed the secondary ground through the hole in the bottom of the Battery Tray (W). Feed as much of the cable through the Battery Tray as possible to create enough slack to reach the mounting location shown in Step 20.



20 Skip this step if you only have the primary ground. Re-using the factory grounding bolt removed in Step 19, attach the secondary ground to the original primary ground location as shown. The prong on the ground should be facing down towards the fender. Torque the grounding bolt to factory specifications, 106 lb-in (12 Nm).
Tool Required: 8mm Socket/Wrench, Torque Wrench



INSTALLATION STEPS:

- 21** Align the holes on the Battery Tray (W) with the holes on the Battery Tray Bracket (V) and side fender wall then tighten with the M8 Screws (Y) and Washers (X).
Tool Required: 13mm Socket/Wrench



- 22** Fully tighten the center mounting hole with the M8 Screw (AE), Washers (X) and M8 Locknut (AF) on the Battery Tray Bracket (V) then remove the two stock screws from the bracket.
Tool Required: 13mm Socket/Wrench



- 23** Referenced to Step 18, if your truck only came with the primary ground, remove the grounding bolt and move the ground to the new location shown below. If your truck came with both primary and secondary grounds, relocate the primary ground to the original location of the secondary ground. In either case, re-use the factory grounding bolt to attach the ground to the fender and torque to factory specifications, 106 lb-in (12Nm).
Note: The primary ground should be at an angle with the prong facing away from the fender as shown.
Tool Required: 8mm Socket/Wrench, Torque Wrench



- 24** Place the battery and battery blanket inside the Battery Tray (W) as shown. Be careful as the battery is heavy. The battery is also filled with battery acid so remember to keep it level to prevent the acid from spilling out the top. Pay attention to the orientation of the battery where the negative post is closest to the fender and the positive post is closest to the engine. Also make sure the U-bolt is on the outside of the battery blanket. **Safety Note:** Wear appropriate safety glasses and protective gloves for battery installation.



- 25** Secure the battery to the Battery Tray (W). Install the stock hold down bracket and the negative battery cable mounting tab then reinstall and tighten the nuts removed in Step 2.
Tool Required: 10mm Deep Socket/Wrench



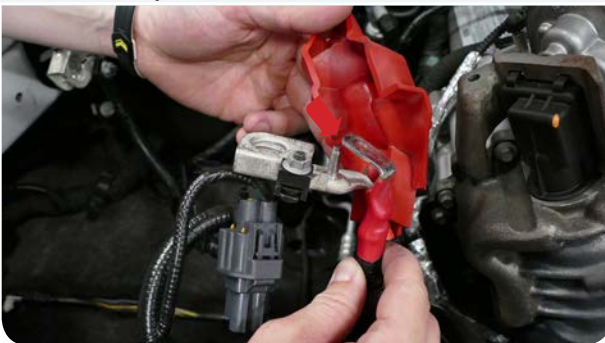
26 We will now rearrange and flip the tightening mechanism on the negative battery cable terminal. This will allow the terminal to reach the battery post after the battery relocation. First completely remove the nut, screw and wedge then pull out the metal clip then reinstall the metal clip into the longer side on the battery terminal as shown.



27 Reinstall the tightening mechanism and then flip the negative cable terminal over. The longer side of the negative battery terminal should be facing the passenger side during installation. Open up the battery terminal diameter by opening up the slit with a screwdriver so it will be easier to get the terminal fully seated onto the battery post.
Tool Required: Flat Blade Screwdriver



28 Remove the nut on the positive battery terminal and disconnect the secondary cable. Set the nut aside, it will be reused in Step 31. **Note:** If you have two secondary positive battery cables, disconnect both from the battery terminal.
Tool Required: 10mm Socket/Wrench



INSTALLATION STEPS:

- 29** Secure one end of the Battery Cable Extension (AG) to the secondary battery cable using the M6 Bolt (AB) and Flange Nut (AC). Keep the metal contacts straight. Torque the M6 Bolt (AB) and Flange Nut (AC) to 88 lb-in (9.9 Nm). **Warning!** If you have two secondary positive battery cables, install the battery cable extensions separately. Do not attempt to install two secondary positive cables with only one Battery Cable Extension (AG). This may lead to a potential fire. Also note the orientation of the extensions when attaching them so that the free end can be stacked flat and back to back as shown.
Tool Required: 10mm Socket/Wrench, Torque Wrench



- 30a** Slide the Heat Shrink (AD) over the metal contact then shrink the tubing. Make sure there is no exposed metal or tears after shrinking the tube. Repeat the procedure and cover the Heat Shrink (AD) with another Heat Shrink (AD). Note: If you have two secondary cables, complete the process for each secondary cable individually. Do not use one Heat Shrink (AD) for both cables.
Tool Required: Heat Gun



- 30b** Slide the Fabric Heat Shrink (AH) and cover the entire extension including the Heat Shrink (AD). Make sure there is no exposed metal or tears after shrinking the Fabric Heat Shrink (AH).
Tool Required: Heat Gun



- 31** Reinstall the nut removed in Step 28 to secure the other end of the Battery Cable Extension (AG) onto the positive battery terminal. Leave the nut loose. **Note:** If you have two Battery Extension Cables (AG) installed, stack the two cables on top of each other flat, back to back as shown in Step 29, then reinstall the nut.
Tool Required: 10mm Socket/Wrench



- 32** Install the Tube Seal (B) onto the Intake Box (A).



- 33** Install the Foam Filter (L) and Foam Retainer (M) onto the Intake Box (A) with the M4 Screws (N). **Note:** For information on servicing the Foam Filter go to the "S&B Filter Maintenance" section on Page 1.
Tool Required: Phillips Screwdriver



- 34** Install the Box Inlet (J) onto the Intake Box (A) with the Plastic Rivets (U). Squeeze the plastic rivets together so they lock into place.



- 35** Determine if you want to install the Box Plug (K) onto the Intake Box (A). See the "Intake Box Plug" note on Page 2 to decide the desired setup.



INSTALLATION STEPS:

- 36** Press the Grommets (Q) into the side of the Intake Box (A).



- 38** Place the Intake Box (A) into the truck. Remove the stock screws from the Battery Tray Bracket (V) that was loosely installed in Step 14.



- 39b** Install the other two stock screws and secure the bottom of the Intake Box (A). Fully tighten all screws.
Tool Required: 13mm Socket/Wrench



- 37** Carefully remove the MAF sensor from the stock intake tube and install it onto the Intake Tube (C) with the 8-32 Screws (T), MAF Pad (S) and MAF Gasket (R).
Tool Required: T20 Torx, Phillips Screwdriver



- 39a** Align the mounting holes on the side fender wall and the bracket then carefully install the two stock screws removed in Step 12 making sure that the Grommets (Q) do not fall off the air box. Leave the screws loose. Some adjustments may be needed to get the other mounting holes to line up.
Tool Required: 13mm Socket/Wrench



- 40** Slightly bend the AC service port so that the center of the cap lines up with the seam of the coolant reservoir as shown below (this will give clearance to install the Intake Tube (C) in Step 42).



- 41** Slide the Coupler (O) over the Intake Tube (C) with the two #72 Hose Clamps (P) up to the edge of the tube as much as possible. This will give you extra clearance room during the installation. Leave the hose clamps loose.



- 42** Insert the Intake Tube (C) into the Intake Box (A) at the angle shown below.



- 43** Rotate the Intake Tube (C) and then slide the Coupler (O) over the turbo inlet. The radiator hoses will be sitting on top of the coupler so position the hose clamp screws away from the hoses then tighten both #72 Hose Clamps (P).

Tool Required: 5/16" Nut Driver or Flat Blade Screwdriver



- 44** Secure the Box Inlet (J) with the push in rivet removed in Step 9.



- 45** Install the Air Filter (D) and #72 Hose Clamp (E) onto the Intake Tube (C). Tighten the hose clamp.

Tool Required: 5/16" Nut Driver or Flat Blade Screwdriver



- 46** Press the Lid Seal (F) into the groove on top of the Intake Box (A).



INSTALLATION STEPS:

- 47** Peel off the protective covering on the Clear Lid (G).



- 48** Place the Clear Lid (G) on top of the Intake Box (A) and secure with the 10-24 Screws (I) and Lid Washers (H).
Tool Required: Phillips Screwdriver



- 49** Install one end of the MAF Harness Extension (Z) into the stock MAF harness and the other end into the sensor. Make sure to engage both red locking clips.



- 50a** Install the positive terminal on the positive battery post. Remove the terminal clamp nut assembly and rotate it to the other side of the terminal as shown by the white arrow. Moving the terminal clamp nut will allow the positive cables and extensions to be as close as possible to the side of the battery. Now position the terminal so that the battery cables and Battery Cable Extension(s) (AG) are as close as possible to the side of the battery so that the cables do not come in contact with any hot components or moving parts. Torque the battery cable nut to factory specifications, 80 lb-in (9 Nm). Torque the terminal clamp nut to factory specifications, 80 lb-in (9 Nm).
Tool Required: 10mm Deep Socket/Wrench, Torque Wrench



INSTALLATION STEPS:

- 50b** Place the positive terminal cover over the positive terminal and verify that the battery cables and extensions are as close as possible to the side of the battery so that all cables and wires are away from any hot components or moving parts that could potentially damage the cables or wires.



- 50c** Install the negative terminal on the negative battery post as shown. Tighten the terminal clamp nut and torque to factory specification, 80 lb-in (9 Nm). Do the same to the driver's side battery.



- 51** Group together any loose wires/harness such as the MAF Harness Extension (Z) and the Battery Cable Extension (AG) and secure them away from any hot components and moving parts that could potentially damage the wires. Use Cable Ties (AA) to neatly secure them.
Tool Required: Wire Cutters



- 52** Inspect your installation, make sure the kit is properly positioned and all fasteners are secured. Keep all stock parts in case you would ever need to reinstall the stock intake assembly. Affix the ID label near the intake kit. The installation is now complete.



RELATED ITEMS FOR YOUR PURCHASE

Order Online today at www.sbfilters.com or through your local S&B distributor.



**Replacement
Cotton Filter**
SKU# KF-1063



**Replacement
Dry Filter**
SKU# KF-1063D



**Precision II:
Cleaning & Oil Kit**
SKU# 88-0008



**Filter Wrap
for KF-1063**
SKU# WF-1059

INSTALLATION NOTES:

