



FILTERS

COLD AIR INTAKE

INSTALLATION INSTRUCTIONS:

P/N: 75-5062 / 75-5062D





FILTERS

BREATHE EASY. YOUR ENGINE & WARRANTY ARE PROTECTED.™

Thank You! for purchasing your new S&B Filters intake kit. If at any time you need additional assistance with installation or have any other questions or comments, feel free to call our customer service department at 909-947-0015. You can also take advantage of our live chat at www.sbfilters.com and connect with an S&B representative immediately. We hope you enjoy your new S&B Filters product and thank you for your continued support. Breathe Easy. Your Engine and Warranty Are Protected.

VEHICLE APPLICATION:

YEAR: 1998 - 2003

MAKE: Ford

MODEL: F-250/F-350/Excursion

ENGINE: 7.3L Powerstroke

APPROX. INSTALL TIME: 1HRS | 30MIN

TOOLS REQUIRED:

- 13mm Wrench/Socket
- 5/16", 15/32", & 1/2" Wrench & Socket
- 3/16" & #5 Metric Hex Key
- 5/16" Nut Driver or Flat Blade Screw-driver
- Drill and 3/4" Drill Bit (Optional)

NOTES:

Kit may not fit with the following Aftermarket Parts installed:

- Body Lift or Lowering Kit
- Custom Hood
- Throttle Body Spacer/ Upgrade

CARB STATUS - EXEMPT

CARB EO#: D-590-D

Legal for use in CA or other states adopting CA emissions standards*
See Page 2 for more info.

S&B FILTER MAINTENANCE:

- Cleanable (KF-1059). If the enclosed filter is Red, it came preoiled from the factory. Please visit www.sbfilters.com for exact oil amount required after cleaning.
- Disposable (KF-1059D). If the enclosed filter is White, it is a disposable filter and should be discarded once it reaches capacity. This filter **does not require oil**. For more info on S&B's disposable filter, visit www.sbfilters.com.

BEFORE YOU START

- Please read the entire product guide before proceeding.
- Ensure all components listed on pages 3 & 4 are present.
- If you are missing any of the components, call our customer support at (909) 947-0015.
- Do not work on your vehicle while engine is hot.
- Make sure the engine is turned off and the vehicle is in Park or the Parking Brake is set.

GENERAL INFORMATION AND WARNINGS

Air Box Plug Testing

Stock intake boxes are a significant contributor to poor air flow which is why S&B designs custom air boxes with secondary and/or enlarged openings. With that said, S&B recognizes the benefits of cooler air, so we have included a plug to seal off the opening if so desired. For optimal performance, we recommend that the intake be used without the end cap except in conditions of extreme heatwave.

Performance Testing

- After your installation is complete engage parking brake and start your engine. Listen for abnormal noises. If an air leak is detected, re-inspect hoses and connections as they may need to be repositioned and tightened.
- S&B FILTERS recommends that you keep your OE intake system in the event it is required in the future.
- In order to maintain your warranty, all connections and components must be checked periodically for alignment and for proper tension on all connections. Failure to do so may void your warranty.
- Use only S&B FILTERS cleaning and oil products to service your filter. Using any other brand oil and/or cleaners on your S&B air filter may void your warranty.

Warning!

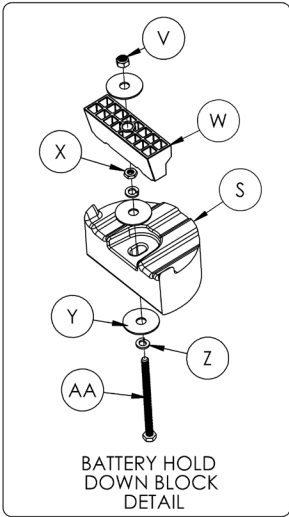
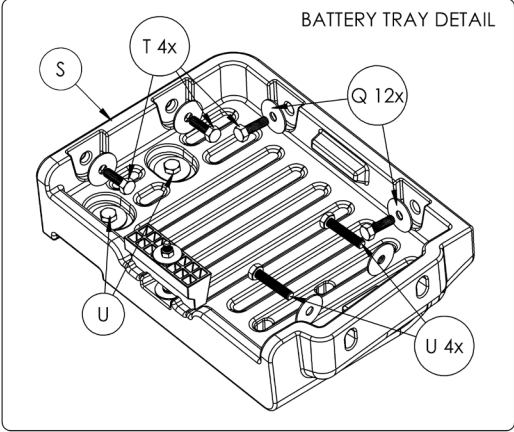
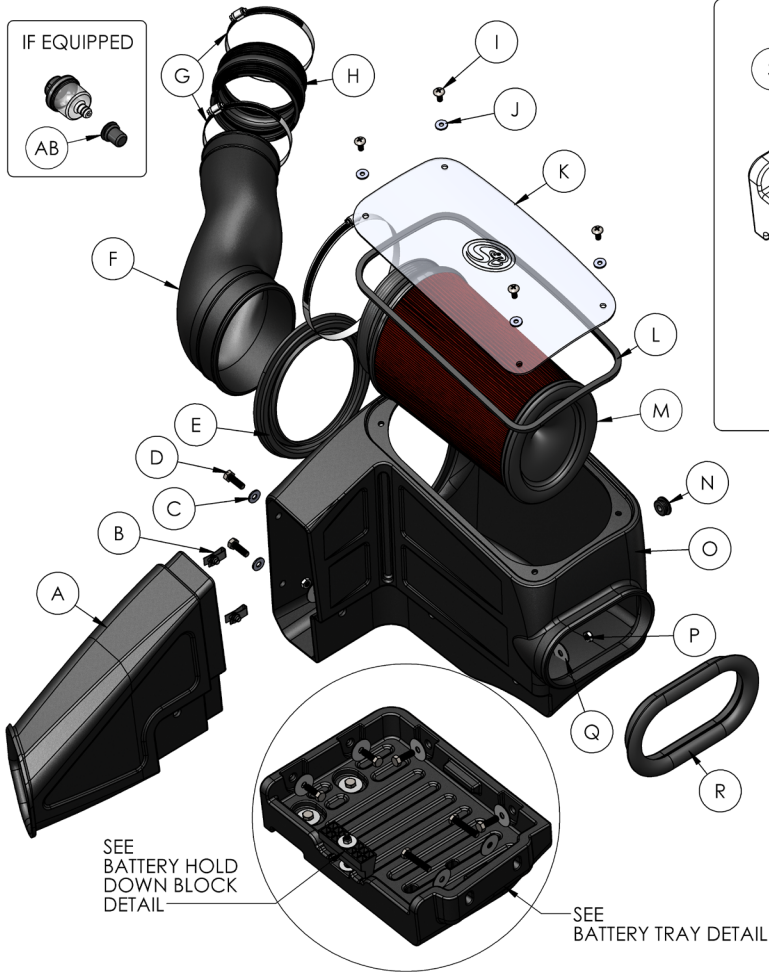
If your vehicle has a Vehicle Emission Control Information decal affixed to the factory airbox, a new replacement label must be obtained and installed in a readily visible position in the engine compartment in order to remain CARB compliant. Failure to do so will prevent the vehicle from passing a smog check. Replacement labels can be ordered from your local dealership. Regulations state that the VECI label shall not be affixed to any equipment which is easily detached from the vehicle. Label placement, under the hood on a painted surface is recommended.



Emissions Standard

The California Air Resource Board (CARB) requires that an E.O. Identification label be applied to the vehicle in order to pass a smog check inspection when a Performance Intake Kit has been installed. You must place the E.O. Label provided on or near the intake kit after installation so that a smog check technician can easily verify the E.O. Number. The exemption process with CARB can take as long as 18 months. Check the status of the exemption process by looking up a specific part number at www.sbfilters.com. The CARB Exemption number and/or status is listed under the Product Details section for each part number. If the status shows as "Pending," CARB has yet to issue an exemption but the product has been submitted. Products that have not been issued an E.O. number are street legal in most states, but may not be used on emission controlled vehicles in the state of California and are for off road use only. If you purchased your kit from S&B Filters directly, we will automatically mail you your Exemption Sticker when it is issued to us. If you purchased your kit from an authorized S&B Filters Dealer, log onto our web site and register to receive your Exemption Sticker.

EXPLODED VIEW:



PARTS LIST: 75-5062/75-5062D

ITEM	QTY	DESCRIPTION	PART NUMBER
A	1	SNORKEL	AL1198S-00
B	2	CLIP NUTS, 1/4"-20	AI1059-00
C	2	WASHER, 1/4"-20	AI1073-00
D	2	BOLT, HEX, 1/4"-20 X 1"	AI1131-00
E	1	TUBE SEAL	AI1657C-00
F	1	INTAKE TUBE	AL1198-00
G	2	HOSE CLAMP, #64	AG1018-00
H	1	COUPLER	AI1333C-00
I	4	SCREW, TRUSS, 1/4"-20	AI1569-00
J	4	WASHER, 1/4"-20	AI1571-00
K	1	CLEAR LID	AI1655-00
L	1	EDGE TRIM	AI1636-02
M	1	AIR FILTER	KF-1059
N	1	GROMMET	AI1330-00
O	1	AIR BOX	AL1198B-00
P	4	NUT, NYLOCK, 5/16"-18	AI1683-00
Q	12	WASHER, FLAT, 11/32" ID, 1-1/4" OD	AI1080-00
R	1	FENDER SEAL	AI1586C-00
S	1	BATTERY TRAY	AL1198T-00
T	4	BOLT, HEX, 5/16"-18 X 1.00"	AI1410-00
U	4	BOLT, HEX, M8, 40mm	AI1163-00
V	1	NUT, NYLOCK, M6 (BATTERY HOLD DOWN)	AI1090-00
W	1	BATTERY BLOCK (BATTERY HOLD DOWN)	AI1816-00
X	1	NUT, JAM, M6 (BATTERY HOLD DOWN)	AI1687-00
Y	3	WASHER, OVERSIZED, 0.281" ID, 1.00" OD (BATTERY HOLD DOWN)	AI1991-00
Z	2	WASHER, SPLIT LOCK, M6 (BATTERY HOLD DOWN)	AI1535-00
AA	1	BOLT, HEX, M6 (BATTERY HOLD DOWN)	AI1413-00
AB	1	GROMMET	AI1814-00

AM0256-00 REV-J 02/23/2018

HARDWARE PACKS
HP1324-00
AG1018-00
HP1326-00
AI1163-00
HP1327-00
AI1410-00
AI1683-00
HP1328-00
AI1073-00
AI1059-00
AI1131-00
AI1330-00
AI1814-00
HP1329-00
AI1080-00
HP1330-00
AI1413-00
AI1991-00
AI1685-00
AI1090-00
AI1687-00
AI1816-00
HP1306-00
AI1569-00
AI1571-00
HP1325-00
AI1655-00
AI1636-02

INSTALLATION STEPS:

- 1** With the ignition switched off and the parking brake set, disconnect the negative battery cables on both batteries, then disconnect the positive battery cable on the driver's side only. **Note: Failure to disconnect the battery may cause the CEL to illuminate upon completion of the installation and subsequent operation. Do not skip**



- 2** Remove the stock battery cover by pressing down on the tabs in front of the battery.



- 3** Remove the battery bolt and wedge then remove the battery from the vehicle.



- 4** **IF EQUIPPED:** Disconnect the stock electronic restriction gauge electrical connector then read Step #16 and plan accordingly.



- 5** Loosen the hose clamp at the turbo inlet.



- 6** Unfasten and remove the stock air box lid and intake tube assembly from vehicle.



- 7** Remove the four bolts from the stock battery tray from the bottom and side. **NOTE:** Early 99' models have a separate bracket with a additional bolt. Remove this bolt as well, then remove the tray from the vehicle.



- 8** From the inside of the stock air box, turn the air temperature sensor a 1/4 turn to release it from the air box. Caution: Be careful not to damage the sensor.



- 9** Remove the air box and tray from the vehicle. **NOTE:** Early 99' model stock air boxes have 2 bolts at the inner fender that need to be removed prior to the removal of the air box.



- 10** Install the Clip Nuts (B) onto the Snorkel (A) then slide the snorkel into the Air Box (O).



- 11** Secure the Snorkel (A) with the 1/4"-20 Bolts (D) and Washers (C). Do not over tighten.

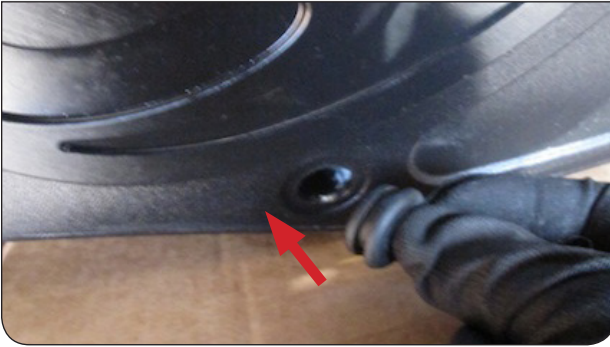


- 12** Secure the Battery Tray (S) to the Snorkel (A) and Air Box (O) with the 5/16"-18 Bolts (T), Washers (Q) and Lock Nuts (P). Do not over tighten.



INSTALLATION STEPS:

13 Install the Grommet (N) into the side of the Air Box (O).



14 Install the Fender Seal (R) onto the Air Box (O).



15 Install the Tube Seal (E) onto the Air Box (O).



Read before proceeding to Step 16.

Note: The stock Restriction Gauge are not calibrated for the S&B Intake Kit, both types (Manual and Electronic) will no longer be accurate. However, the electronic type must be reconnected or the indicator light may be triggered.

Important: Service air filter according to S&B precision cleaning instructions. Do not rely on the restriction gauge or wait until the dash light is triggered.

16 IF EQUIPPED: To reinstall the electronic restriction gauge drill a 3/4" hole in the Intake Tube (F) at the drill point and insert the Grommet (AB).



- 17** Install the Intake Tube (F) through the Tube Seal (E) from inside the Air Box (O). Pull out the intake tube until it reaches the stop bead.



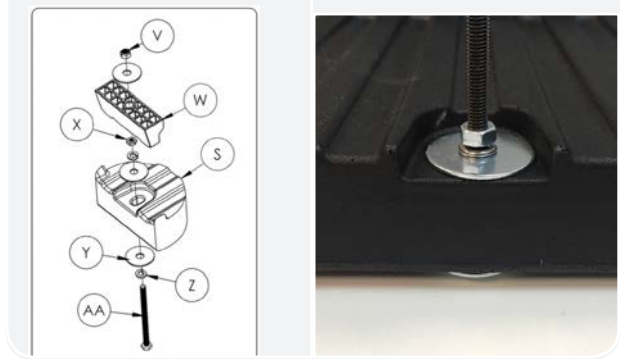
- 18** Install both #64 Hose Clamps (G) onto the Coupler (H). Do not tighten yet.



- 19** Slide the coupler with both hose clamps onto and over the intake tube. Push the coupler past both stop beads leaving the end of the tube exposed.



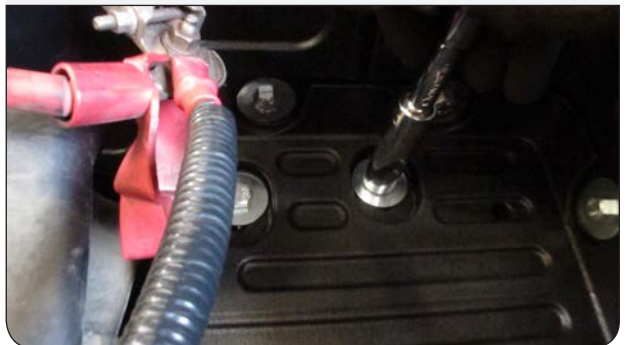
- 20** Install the battery hardware to the Battery Tray (S). M6 Bolt (AA), Split Washer (Z), Washers (Y) and Jam Nut (X). Tighten the Jam Nut and M6 Bolt. Lock do not install the battery block yet.



- 21** Install the complete air box assembly into the vehicle.



- 22** Align the mounting holes for the Battery Tray (S) going to the fender and underneath the air box. Install the provided M8 Bolts (U) and Washers (Q) through the battery tray which should thread into the factory clip nuts.



INSTALLATION STEPS:

- 23** Install the provided M8 Bolts (U) and Washers (Q) to secure the Battery Tray (S) to the fender.



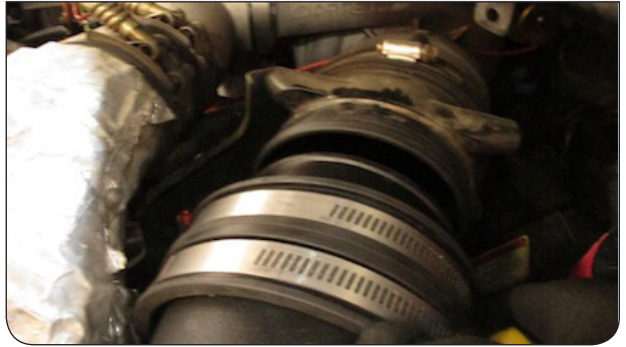
- 25** Tighten the #64 Hose Clamp (G)



- 27** Install the battery onto the battery tray.



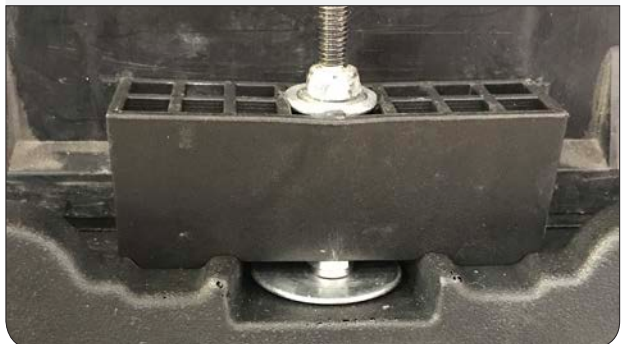
- 24** Align the Intake Tube (F) with the turbo inlet then slide the Coupler (H) onto the turbo inlet.



- 26** Install the Air Filter (M) onto the Intake Tube (F) and tighten the hose clamp. Make sure the filter flange is properly aligned with the stop bead before tightening completely. The filter and tube may need to be adjusted to fit straight with the box.



- 28** Install the Battery Block (W) over the M6 Bolt (AA), then secure the block with a Washer (Y) and Lock Nut (V).



29 Remove the protective covering from the Clear Lid (K).



30 Install the Edge Trim (L) around the edge of the Clear Lid (K).



31 Secure the Clear Lid (K) onto the Air Box (O) with the 1/4"-20 Screws (I) and Washers (J).



32 Install the air temperature sensor into Air Box (O) by pushing firmly into the grommet.



33 **IF EQUIPPED:** reconnect the electronic restriction gauge and push it into the grommet on the intake tube. Press firmly to ensure an air tight seal.



34 Reconnect the negative terminal on the battery. Inspect your installation, make sure the kit is properly positioned and all fasteners are secure. Keep all stock parts in case you ever need to reinstall the stock intake assembly. Affix the ID label near the intake kit. The installation is now complete.



INSTALLATION STEPS:

Power Steering Reservoir Access

- 1** Turn the cap left to open the power steering reservoir. Lift up the cap until you can see the slanted portion for level indicator then slide the cap to the edge of the reservoir, slightly tip the cap and pull it out. It will take some force to get the cap out.



- 2** Use a paper or plastic funnel to refill your power steering fluid if needed. Reinstall the power steering reservoir cap.



RELATED ITEMS FOR YOUR PURCHASE

Order Online today at www.sbfilters.com or through your local S&B distributor.



**Replacement
Cotton Filter**
SKU# KF-1059



**Replacement
Dry Filter**
SKU# KF-1059D



Filter Wrap
SKU# WF-1040



**Precision II:
Cleaning & Oil Kit**
SKU# 88-0008

INSTALLATION NOTES:

INSTALLATION NOTES:

