



Ford OE Style[®] Fender Flares Set of 4

Set Part #20909
Rev-6 1/18/2016

For complete fitment info visit : www.bushwacker.com

STEP 1 – PRIOR TO INSTALLATION

- A) Bushwacker only approves installing the flares according to these written instructions with the hardware provided. **WARNING:** Failure to install according to these instructions will invalidate the warranty. This includes, but is not limited to using alternative installation methods, hardware, or materials. **DO NOT USE:** Loctite, SuperGlue, or similar products on the hardware or the flares.
- B) **Fit:** Verify the fit of the flares to vehicle. (Some filing, sanding, or cutting may be necessary to ensure proper fit).
- C) **Painting:** (Optional) if paint is desired it must be done prior to installing flares on vehicle. Clean outer surface with a good grade degreaser. **DO NOT USE LACQUER THINNER OR ENAMEL REDUCER AS A DEGREASER.** Wipe outer surface thoroughly with a tack rag prior to paint. Application of plastic adhesion promoter for ABS plastic as per your paint system manufacturer's recommendations is required. Paint flares using a high quality enamel, or polyurethane automotive paint. If painting edge trim (not recommended), use a flex additive.
- D) **Performance:** Using larger Tires may increase the area required to turn the vehicle. Some Tire/Rim combinations may require lowering bump stops and or installing steering stops to prevent tire from contacting flare.
- E) **Exhaust System:** Modifications may be necessary to maintain a minimum 4" clearance between flares and exhaust pipes. (Exhaust gases should not vent directly onto flares)
- F) **Metal Protection:** All exposed fasteners and bare metal should be treated with rust resistant paint **BEFORE** installing flares. Spray inner fender wells with undercoating **AFTER** flare attachments have been completed.
- G) **Decals:** Flares may interfere with existing decals on vehicle. If you wish, remove decals prior to installation of flares.
- H) **Care & Cleaning:** Bushwacker fender flares are built to last; any detergent you use to wash your vehicle is sufficient to clean the flare. Do not use any harsh abrasive detergents.

TOOLS FOR EASY INSTALLATION:





- Utility Knife
- Jack and Jack Stands (Optional)
- #2 Phillips Drive bit
- 7/32 Socket
- Socket Wrench
- Safety Glasses

PLEASE READ: Dirt and debris can become lodged between the fender flares and the vehicle's fenders, causing scratching and paint wear from vibration. Lund International is not responsible for any damage, and the installation of our fender flares is done with the buyer's understanding that this scratching and paint wear may occur.

LIMITED LIFETIME WARRANTY AGAINST ANY MANUFACTURING DEFECTS

To claim a warranty, you must provide Proof of Purchase.

Included in Hardware Kit:

- | | | | |
|--|--|--|---|
| 1.  | 2.  | 3.  | 4.  |
| CL1-0005,
Dacromet "S"
Spring Clip,
10 pcs. | MT1-0002,
1" x1" x.017"
Black Tab,
10 pcs. | SW1-0050,
10 x 5/16 Phillips
Truss Screw,
10 pcs. | GP1-0008,
Duro (NC02/S 70)
Edge Trim,
330 in. |

FLARE INSTALLATION PROCEDURES

Step 1: Painting

It is recommended that painting (when desired) be done prior to installation.

- (A) Sand (optional) before application of paint.
- (B) Clean outer surface with a good grade degreaser. DO NOT USE LACQUER THINNER OR ENAMEL REDUCER AS A DEGREASER. Wipe outer surface thoroughly with a tack rag prior to painting.
- (C) Paint flares using a high quality lacquer, enamel, or polyurethane automotive paint. Application of a primer coat is optional.
- (D) If painting edge trim (not recommended), use a flex additive.

Step 2: Edge Trim Installation (See Illustration #1)

- (A) Peel two to three inches of red vinyl backing away from edge trim tape. Applying the adhesive side of the edge trim to the inner side of the flare, affix the edge trim to the top edge of the flare (the portion that comes in contact with the side of the vehicle).
- (B) Press edge trim into place along the top edge of the flare in one-foot increments, pulling red vinyl backing free as you continue to work your way around the top edge of the flare.

Step 3: Flare installation Fronts (See Illustration #2)

- (A) Remove the 3 factory hex screws from wheel well using the 7/32 socket.
- (B) Hold flare in place on fender.
- (C) Applying moderate pressure to outside surface of flare, fasten screws using the factory hex screws removed earlier.

Step 4: Flare installation Rear (See Illustration #3)

- (A) Hold flare in position with moderate pressure. Using the holes in the flares as a guide, mark wheel well lip where each hole is.
- (B) Remove flare and stick a black mylar tab over each marked location. Slide supplied clips over each tab location. (See illustration #4).
- (C) Hold flare in position and line up the holes in flare to the threaded holes in clips. Starting with the two corner holes, start the supplied screws but keep loose.
- (D) Insuring the flare is properly located on fender, install remaining screws and applying moderate pressure to outside surface of flare, tighten screws, beginning with the two corner locations and then the two bottom screws. Tighten the top center screw last.

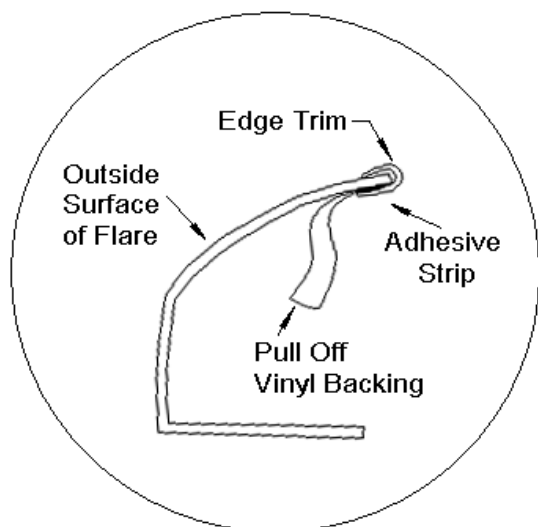


ILLUSTRATION #1

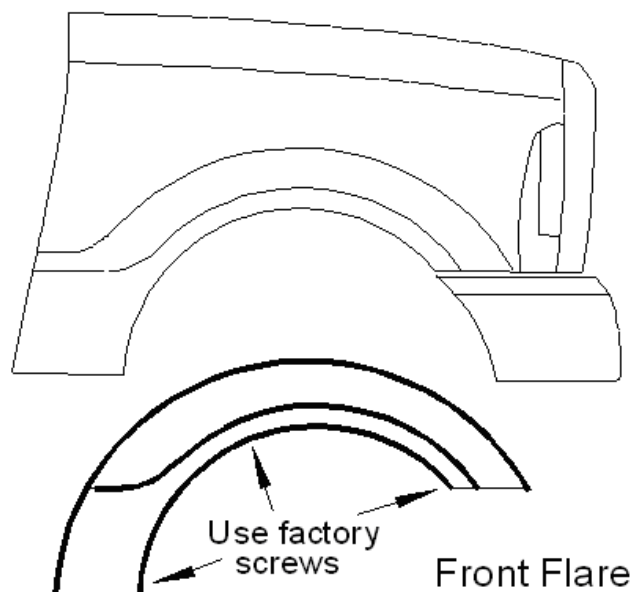


ILLUSTRATION #2

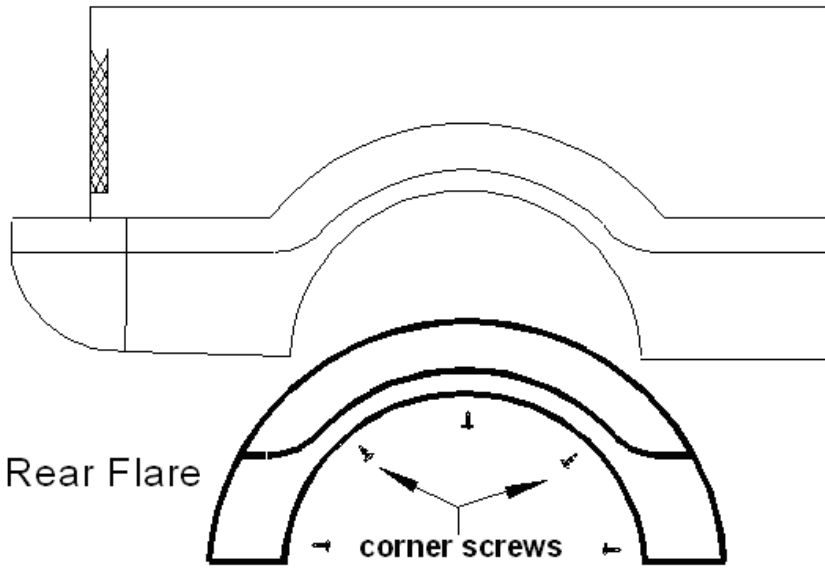


ILLUSTRATION #3

