

VOLANT COOL AIR INTAKES
 PART NO.: 158666
 INSTALLATION INSTRUCTIONS
 WWW.VOLANT.COM
 TECH SUPPORT: (909) 481-3888

158666 PARTS LIST					
1	VOLANT FILTER BOX	1	4' X 3' HUMPHOSE	3	1/4" WASHERS
1	VOLANT FILTER BOX LID	1	3 3/4' X 3' SLEEVE	4	1/4" X 7/8" FENDER WASHERS
1	VOLANT FILTER BOX ADAPTER	4	6 MM-25 BOLTS	1	1" O-RING
1	VOLANT AIR FLOW DUCT	3	1/4"-20 BOLTS	2	4 MM PLASTIC SCREWS
1	POWERSCOPE FILTER W/CLAMP	7	1/4" LOCK WASHERS	1	15866 MAF GASKET
2	#060 CLAMPS	5	1/4"-20 TRUSS HEAD SCREWS		
2	#072 CLAMPS	5	1/4" RUBBER WASHERS		



NOTE: REMOVE THE ADHESIVE COVER FROM THE FENDER WELL IN ORDER TO INSURE MAXIMUM AIR FLOW.

- (5) 1/4"-20 TRUSS HEAD SCREWS
- (5) 1/4" RUBBER WASHERS

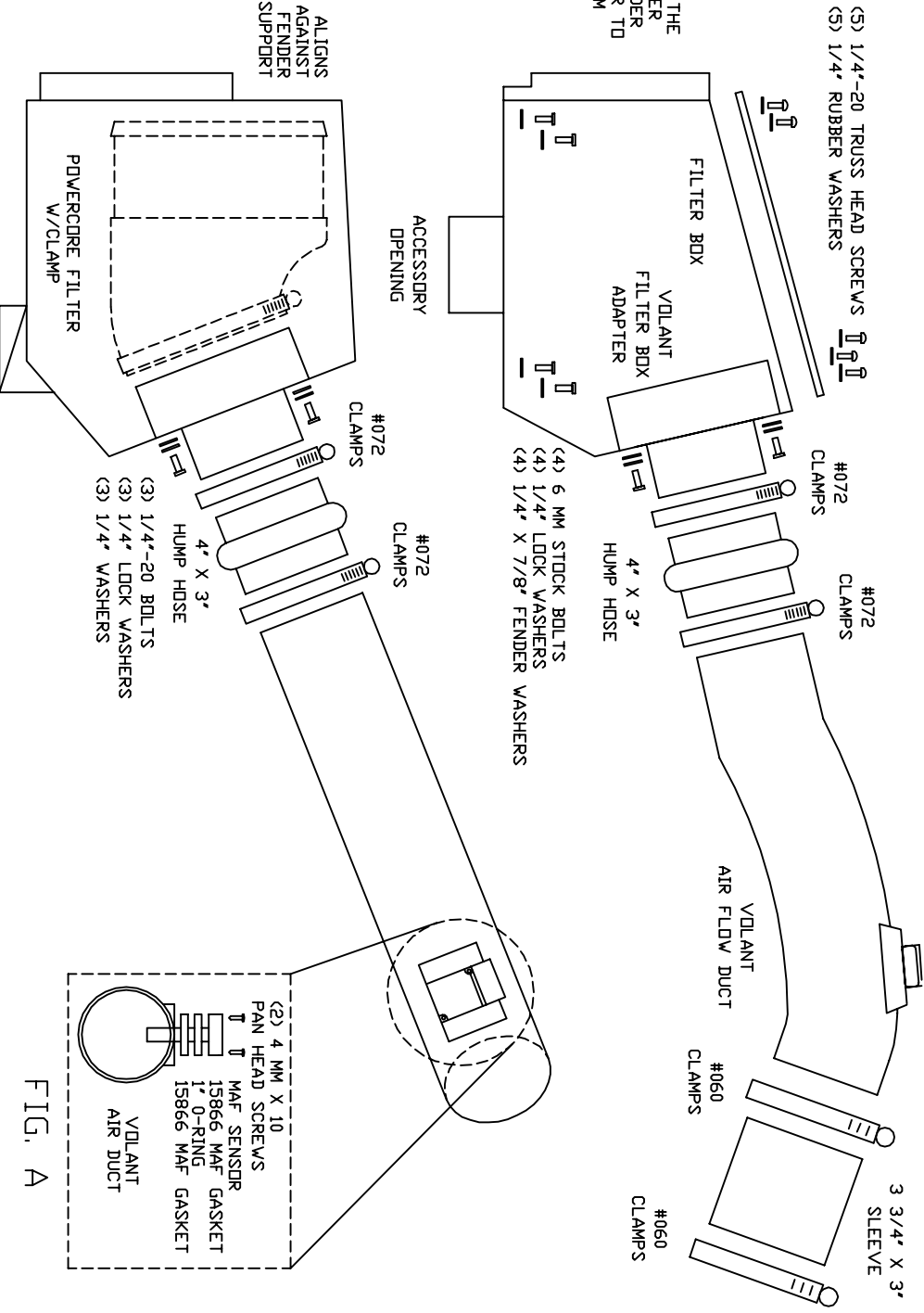
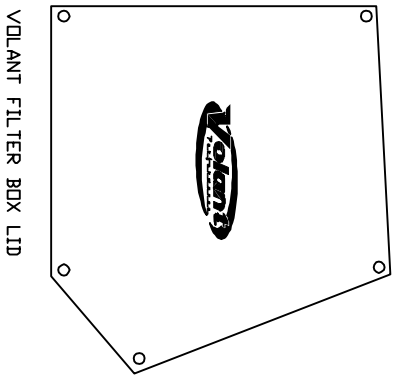


FIG. A

VOLANT FILTER BOX LTD



Volant Performance
 Rancho Cucamonga, CA 91730
 (909) 481-3888 Tech Support
 (909) 476-1491 Fax
 www.volant.com

READ INSTRUCTIONS THOROUGHLY BEFORE DISASSEMBLING. DO NOT SKIP ANY STEPS. ANY QUESTIONS ON A VOLANT KIT MAY BE REFERRED TO OUR TECH SUPPORT LINE AT (909) 481-3888 OR VISIT OUR WEBSITE AT WWW.VOLANT.COM

INSTALLATION INSTRUCTIONS PART NO. 158666

Installation Instructions:

1. Disconnect negative battery cables.
2. Disconnect the mass flow sensor harness clip located on the stock filter box from the mass flow sensor.
3. Using a 5/16 nut driver or flat screwdriver loosen the stock hose clamp that connects the stock duct to the stock filter box. Pull the stock duct away from the filter box
4. Unscrew the 8 MM bolt on the resonator box that say 6.6 turbo diesel. Loosen the small clamp attached to the resonator box and remove the resonator box.
5. Loosen the hose clamp on the stock air duct where it connects to the throttle body. Pull the duct off and remove from the engine compartment.
6. Remove the stock filter box by pull firmly up and away from the rubber grommet and the vehicle.
7. Unscrew the filter box tray using a 10 MM socket and ratchet and remove tray.
8. Install the Volant filter box to the preexisting location of the stock filter box tray. Use the two stock locations closest to the fender panel to fasten the Volant filter box down with the 6 MM bolts, 1/4" lock washers and 1/4" washers provided.
9. Position the Volant ram filter in the filter box, And tighten the clamp.
10. Loosen and remove the two stock stainless steel screws that hold the stock mass flow sensor to the stock filter box with the torx head bit provided. Remove mass flow sensor.
11. Apply the 1" O-Ring on the mass flow sensor then reinstall the stock mass flow sensor to the Volant air duct. Screw the sensor down with the (2) 4mm X 10 pan head screws. **DO NOT OVER TIGHTEN.** Make sure sensor connection points toward the firewall.
12. Connect the Volant 3 3/4" X 3" sleeve and the #060 clamp to the throttle body.
13. Attach the 4" hump hose to the filter adapter and tighten with the clamp provided.
14. Position the Volant air duct to the hump hose and tighten the clamp. Then connect the other end of the duct to the 3 3/4" X 3" sleeve and #060 clamp.
15. Position the Volant duct correctly and tighten all clamps.
16. Place and fasten the Volant filter box lid on the filter box with four (5) 1/4" truss head screws and rubber washers provided.
17. Reconnect the mass flow sensor to the harness clip.
18. Reconnect the battery cables.

WARNING: OVER TIGHTENING HARDWARE MAY ALTAR THE INTEGRITY OF THE VOLANT AIR INTAKE SYSTEM.

BEFORE ROAD TESTING

1. Start engine, leaving the transmission in park and securing the parking brake.
2. Make sure to look and listen for any unusual noises or air leaks. Repair problems if needed.
3. Once completed it will be necessary to check periodically for realignment and tightening of all connections.
4. Once all tests are completed, enjoy the performance of your new Volant Air Intake System.

CARE AND CLEANING

Check the cotton reusable filter periodically and remove any excessive dirt build-up by tapping the filter on the ground and brushing off the loosened dirt. Clean the filter by using Volant's Filter Recharger Kit. Volant's Filter Recharger Kit is designed to restore original air flow. Re-oil every 10,000 miles without cleaning to improve filtering in sand and dirt. Clean only when dirt is very excessive or 50,000 miles.

RECOMMENDED SERVICE PARTS

RECOMMENDED SERVICE PARTS	PART NO.
REPLACEMENT POWERCORE FILTER	61517
PREFILTER	51921
SCOOP	35060

APPLICATION GUIDE

MY	MAKE	MODEL	ENG.
01-MID 04	GM	SILVER/SIERRA	6.6L

INSTALL

