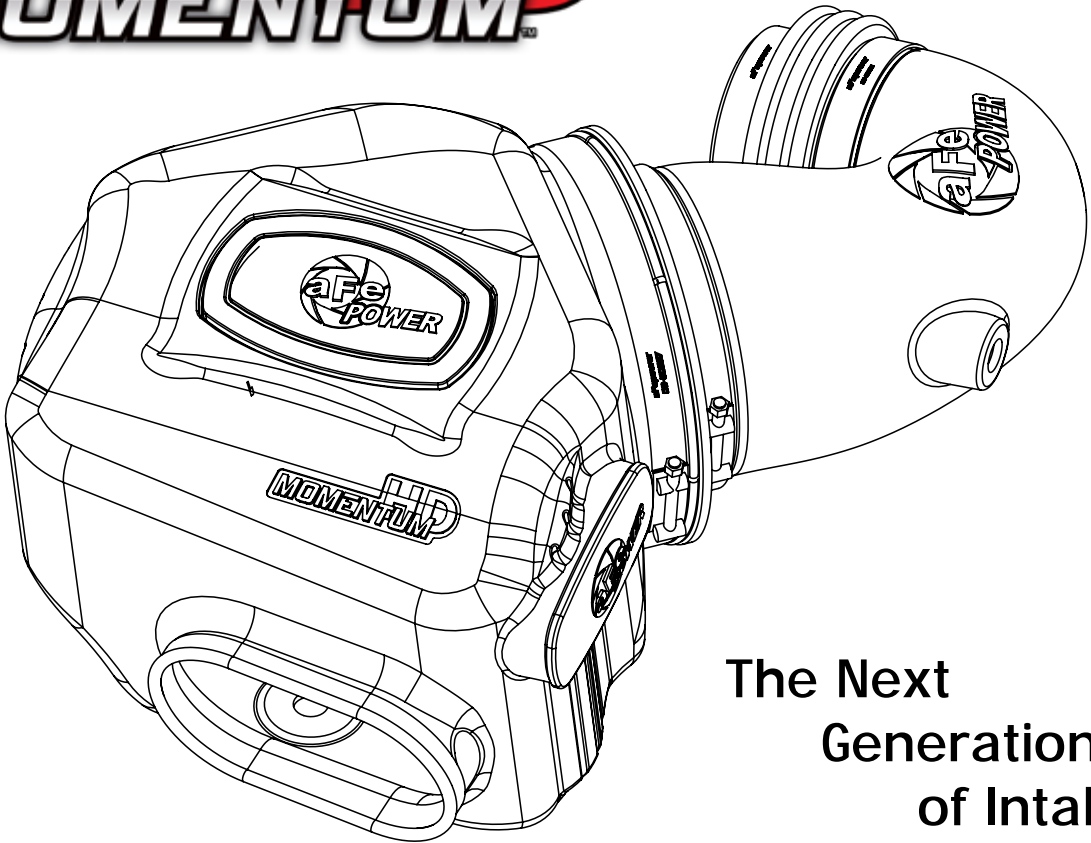




HD
MOMENTUM



**The Next
Generation
of Intakes**

advanced FLOW engineering Momentum Air Intake

Instruction Manual P/N: 51-72001-E

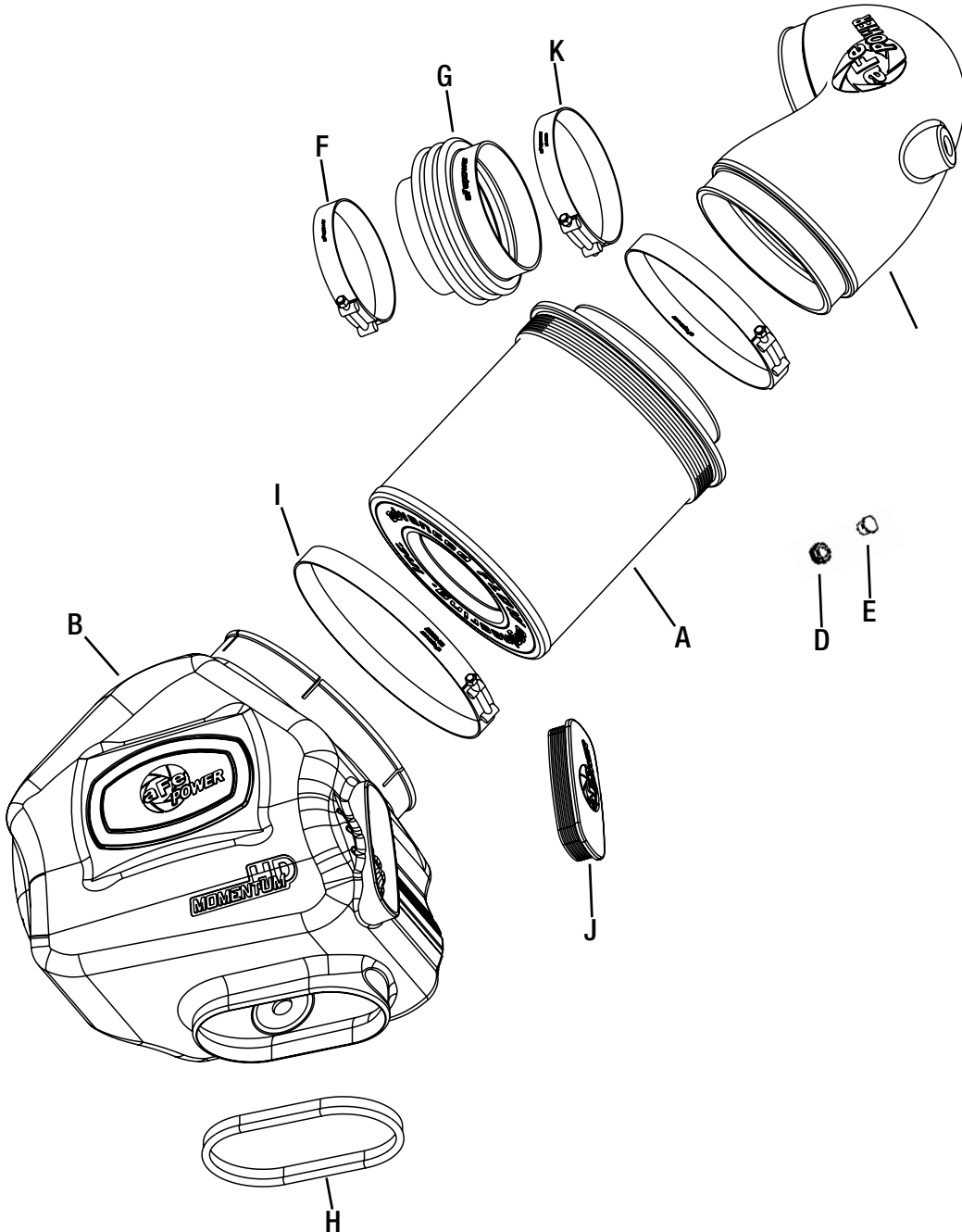
Make: **Dodge** Model: **RAM 2500 Heavy Duty** Year: **1994-2002** Engine: **L6-5.9L (td) Cummins**
Make: **Dodge** Model: **RAM 3500 Heavy Duty** Year: **1994-2002** Engine: **L6-5.9L (td) Cummins**



- Please read the entire instruction manual before proceeding.
- Ensure all components listed are present.
- If you are missing any of the components, call customer support at 951-493-7100 or e-mail at tech@afepower.com.
- Ensure you have all necessary tools before proceeding.
- Do not attempt to work on your vehicle when the engine is hot.
- Disconnect the negative battery terminal before proceeding.
- Retain factory parts for future use.

Label	Qty.	Description	Part Number
A	1	Air Filter (Pro DRY S)	21-91059
B	1	Housing	05-72001B2-A
C	1	Tube	05-72001B1
D	1	Grommet	03-50033
E	1	Cap	03-50103
F	1	Clamp (4-1/8" - 4-1/2")	03-50262
G	1	Coupling	05-01373
H	1	Seal Trim (18")	05-00072
I	1	Clamp (8-5/16"-8-5/8")	03-50267
J	1	Plug	05-01202
K	1	Clamp (4-3/4" - 5")	03-50261
L	1	12oz. Cleaner Spray	90-10011

Installation will require the following tools:
5/16" Nut driver & 10mm Nut driver



**Figure A****Refer to Figure A for step 1**

Step 1: Use a 5/16" nut driver to loosen the OE clamps (1) at the turbo and the air box. Remove the OE intake tube (2).



Figure B

Refer to Figure B for step 2

Step 2: Un-clip the upper half of the air box and remove upper half and air filter.



Figure C

Refer to Figure C for step 3

Step 3: Remove the lower half of the air box (3) by pulling up to release air box from its mounting grommets (4).



Figure D

Refer to Figure D for step 4

Step 4: Make sure plastic inserts (5) are still on the mounting pins. If they pulled out and are stuck in the lower half of the air box grommet, remove them and insert them back on the mounting pins. Remove the plastic air duct (6) that goes through the fender if equipped.



Figure E

Refer to Figure E for step 5

Step 5: Remove all three grommets (7) from the lower half of the air box and install them onto the aFe air box.

MOMENTUM

INSTALL



Figure F

Refer to Figure F for step 14-15

Step 6: Install the trim seal (8) on the opening of the aFe air box.



Figure G

Refer to Figure G for steps 17-19

Step 7: Slide the aFe filter into the aFe housing. Install the larger clamps on the housing and filter.
Do not tighten at this time.



Figure F

Refer to Figure F for step 14-15

Step 8: Install the housing assembly into the vehicle by pushing down into the plastic pins.

Make sure pins are completely through the mounting grommets.

**Figure G****Refer to Figure G for steps 17-19**

Step 9: Install the aFe coupler (9) to the turbo using the smallest clamp (10) provided. Snug but do not tighten.



Figure F

Refer to Figure F for step 14-15

Step 10: Remove the filter minder and grommet (11) from the upper half of the stock air box. Install the grommet into the aFe intake tube and then push in the filter minder. If you choose not to use the filter minder, just plug off the hole with the provided grommet and cap.



Figure G

Refer to Figure G for steps 17-19

Step 11: Install the provided clamp (12) onto the coupler at the turbo then slide the aFe intake tube into the coupler. Connect the intake tube into the filter. Tighten all clamps with a 10mm nut driver.



Figure F

Refer to Figure F for step 14-15

Step 12: Use the provided plug (13) to close additional air inlet if you want to completely seal the air box. Check all the components are tight and secure. Your installation is now complete.

NOTE: Verify all connections are secured after 100-200 miles. Place enclosed CARB EO sticker on or near the intake system on a smooth/clean surface. EO identification label is required to pass the smog test inspection.



Page left blank intentionally

Page left blank intentionally



Pro DRY S Air Filter



P/N: 21-91059

Pro DRY S Restore Kit



P/N: 90-59999

Intercooler Kit



P/N: 77-14003

Differential Cover w/ Oil



P/N: 46-70032-WL

Intercooler Tubes



P/N: 46-20064-B

Manifold



P/N: 46-40044

Torque Converter



P/N: 43-12011

Intercooler Kit



P/N: 46-21061

Exhaust System



P/N: 49-42033-P

Transmission Pan Cover



P/N: 46-70052

To purchase any of the items above, view airflow charts, dyno graphs, photos, and video; please go to aFepower.com.

Warranty

General Terms:

- aFe warrants their products to be free from manufacturer's defects due to workmanship and material.
- This warranty applies only to the original purchaser of the product and is non-transferrable.
- Proof of purchase of the aFe product is required for all warranty claims.
- Warranty is valid provided aFe instructions for installation and/or cleaning were properly followed.
- Proper maintenance with regular inspections of product is required to insure warranty coverage.
- Damage due to improper installation, abuse, unauthorized repair or alteration is not warranted.
- Incidental or consequential damages or cost, including installation and removal of part, incurred due to failure of aFe product is not covered under this warranty.
- All warranty is limited to the repair and/or replacement of the aFe part. To request Return Goods Authorization ("RGA"), email RGA@afepower.com or call (951)493-7100. Upon receipt of the RGA, you must return the product to the address provided in the RGA, freight prepaid and accompanied with a dated proof of purchase and the RGA. Upon receipt of the defective product and upon verification of proof of purchase, aFe will either repair or replace the defective product within a reasonable time, not to exceed thirty days.

Product Category	P/N Prefix	Warranty duration
Direct OE Replacement Filters	10, 11, 30, 31, 71, 73	Life of the vehicle
Racing Filters	18	1 year
Universal	21, 24, 72	2 years
Air Intake Systems	50, 51, 54, 55, 75	2 years
Exhaust Systems	49	2 years
Intercoolers & Intercooler Tubes	46-2	2 years
Intake Manifolds	46-1	2 years
Differential Cover	46-7	Life of the vehicle
Exhaust Manifolds	46	2 years
Throttle Body Spacers	46-3	2 years
Fluid Filters	44	90 days
Pre-Filters	28	2 years
Heavy Duty OE Replacement	70	2 years
PowerSports OE Replacement	81, 87	2 years
PowerSports Intake Systems	85	2 years

No other warranty expressed or implied applies nor is any person or advanced FLOW engineering authorized to assume any other warranty. Some States do not allow the exclusion or limitation of incidental or consequential damages or do not allow limitations on how long an implied warranty lasts, so the above limitations or exclusions may not apply to you. This warranty gives you specific legal rights, and you may also have other rights which vary from State to State.



advanced FLOW engineering, inc.

252 Granite Street Corona, CA 92879

TEL: 951.493.7100 • TECH: 951.493.7134

E-Mail: Tech@aFepower.com