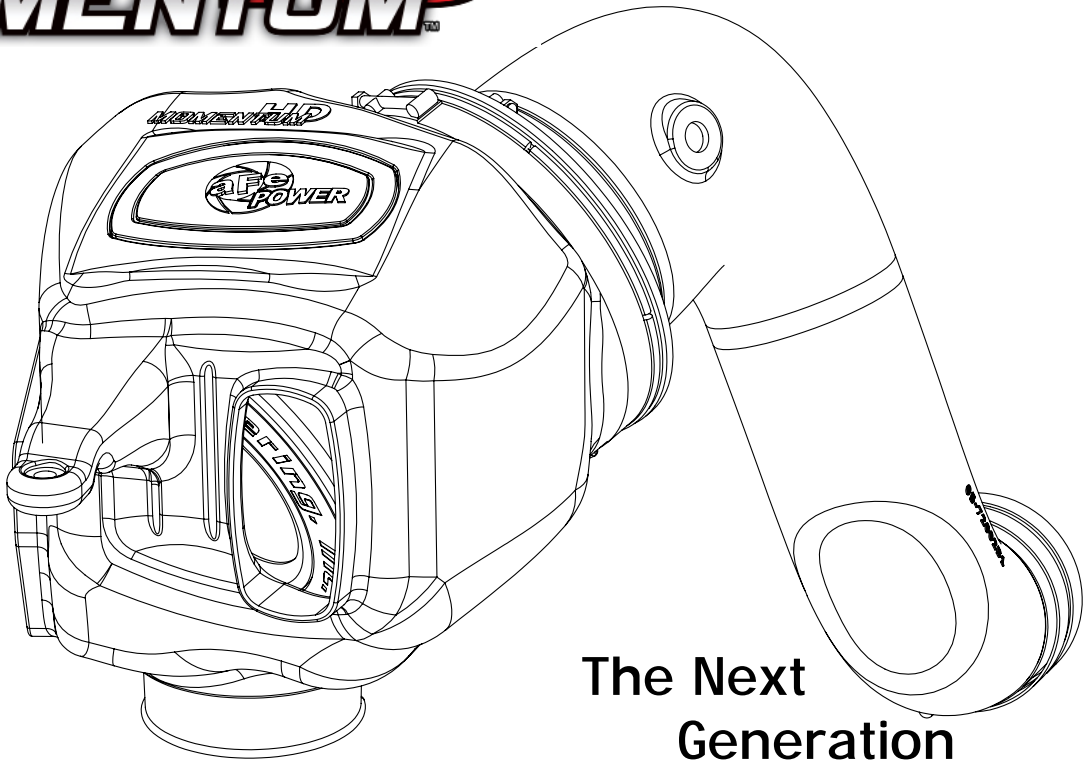


# HD MOMENTUM™



The Next  
Generation  
of Intakes

**advanced FLOW engineering** Momentum Air Intake

**Instruction Manual** P/N: 51-72002-E

Make: **Dodge** Model: **RAM 2500 Heavy Duty** Year: **2003-2007** Engine: **L6-5.9L (td) Cummins**  
Make: **Dodge** Model: **RAM 3500 Heavy Duty** Year: **2003-2007** Engine: **L6-5.9L (td) Cummins**

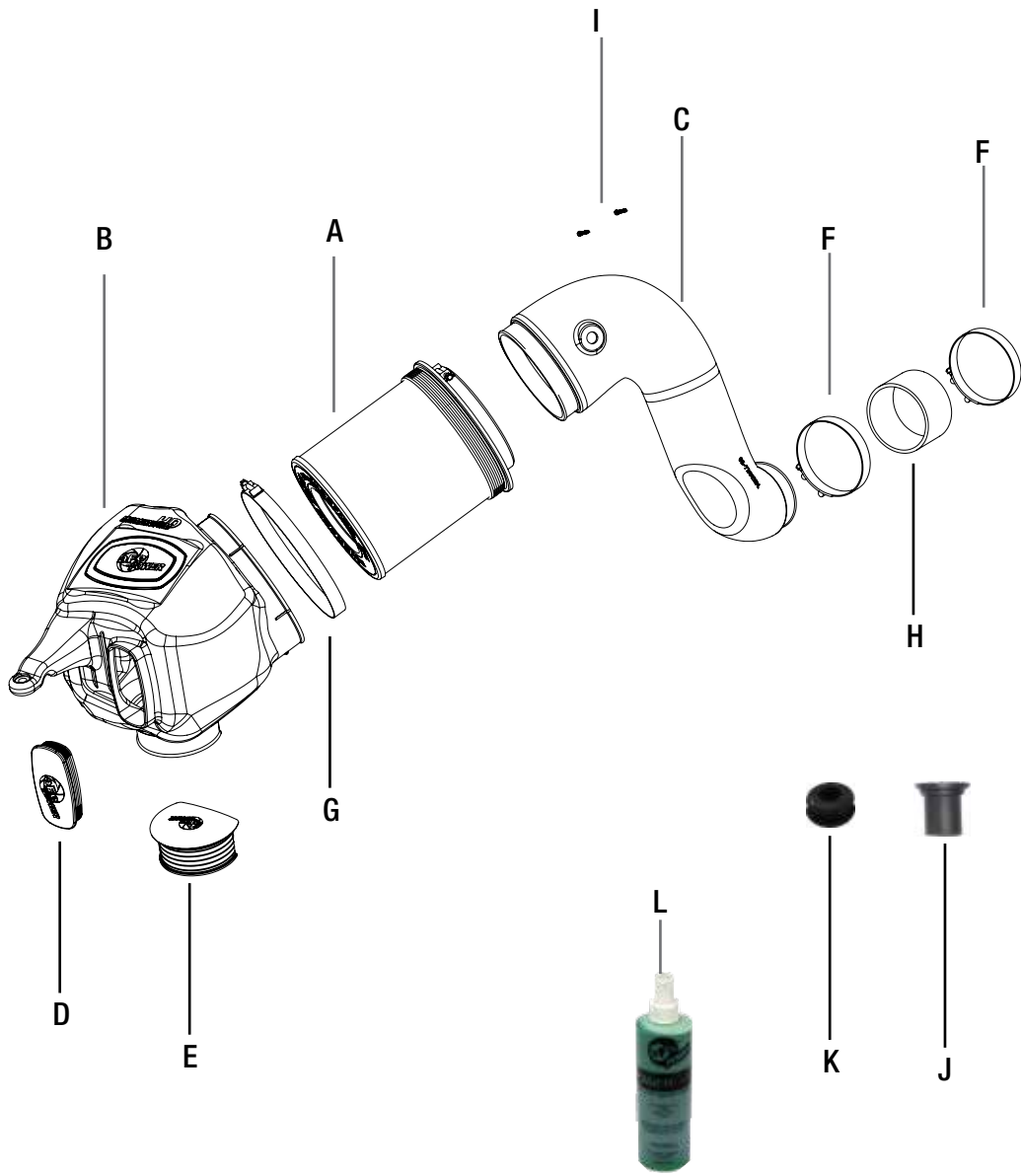


- Please read the entire instruction manual before proceeding.
- Ensure all components listed are present.
- If you are missing any of the components, call technical support at 951-493-7100 or e-mail tech@afepower.com.
- Ensure you have all necessary tools before proceeding.
- Do not attempt to work on your vehicle when the engine is hot.
- Disconnect both the negative battery terminal before proceeding.

## Retain factory parts for future use.

Label	Qty.	Description	Part Number
A	1	Air Filter (Pro DRY S)	21-91059
B	1	Housing	05-72004B2-A
C	1	Tube	05-72002B1
D	1	Plug, Urethane	05-01202
E	1	Plug, Scoop	05-01192
F	2	Clamp, T-bolt (4-1/8")	03-50499
G	1	Clamp, T-bolt (8-5/16")	03-50267
H	1	Coupling, Straight	05-00715
I	2	Screw, M4	03-50489
J	1	Cap	03-50103
K	1	Grommet	03-50033
L	1	12 oz. Cleaner Spray	90-10011

Installation will require the following tools:  
8mm, 10mm and socket or nut driver, Pliers, flat screw driver.





**Refer to Figure A for steps 1-3**

Step 1: Remove the nut (1) holding the factory air box down with a 10mm socket or driver.

Step 2: Disconnect the wiring harness from the temperature sensor (2).

Step 3: Loosen the clamp connecting the factory intake tube to the turbocharger and pull the entire intake system out of the vehicle.



Figure B

**Refer to Figure B for steps 4-5**

Step 4: Slide the aFe Filter into the Momentum HD housing. Install the larger clamps on the housing and filter. Do not tighten as that time.

Step 5: If you are not installing the air scoop and wish to close off the extra air inlet, install the furnished plug to close off the bottom opening (3) and/or the front opening (4) .

**Figure C****Refer to Figure C for steps 6-7**

Step 6: Install the momentum HD housing into the vehicle by pushing it into the factory mounting grommet.

Step 7: Re-install the factory nut (5) removed at step 1 to secure the housing. Do not completely tighten yet.



Figure D

**Refer to Figure D for steps 8-10**

- Step 8: Transfer the temperature sensor (6) from the factory air box to the aFe tube. Use the furnished M4 screws to secure the sensor on the aFe tube.
- Step 9: Install the furnished silicone coupling and T-bolt clamps (7) on the small inlet. Do not tighten yet.
- Step 10: Transfer the filter minder and factory grommet (8) from the factory housing to the aFe Tube. If your truck is not equipped with a filter minder, just plug off the hole with the furnished grommet and cap.



Figure E

**Refer to Figure E for steps 11-12**

Step 11: Install the aFe tube into the vehicle by sliding the coupling over the turbo then by connecting the tube to the filter. Make sure everything is correctly align, then tighten all clamps and nut.

Step 12: Reconnect the temperature sensor harness (9) .





Figure F

**Refer to Figure F for step 13**

Step 13: Verify all connections are secured. Your installation is now completed.

**NOTE:** Verify all connections are secured after 100-200 miles. Place enclosed CARB EO sticker on or near the intake system on a smooth/clean surface. EO identification label is required to pass the smog test inspection.



Pro DRY S Air Filter



P/N: 21-91059

Pre-Filter



P/N: 28-10273

Pro DRY S Restore Kit



P/N: 90-59999

Sprint Booster V3



P/N: 77-12005

Diesel Fuel System



P/N: 42-12031

Turbocharger



P/N: 46-60050

Exhaust Manifold



P/N: 46-40012

Intake Manifold



P/N: 46-11011




**SAVE \$25**  
ON A REPLACEMENT  
**MOMENTUM**  
AIR FILTER. TO RECEIVE YOUR DISCOUNT PLEASE CALL  
**888.901.7693**

To purchase any of the items above, view airflow charts, dyno graphs, photos, and video; please go to [aFepower.com](http://aFepower.com).

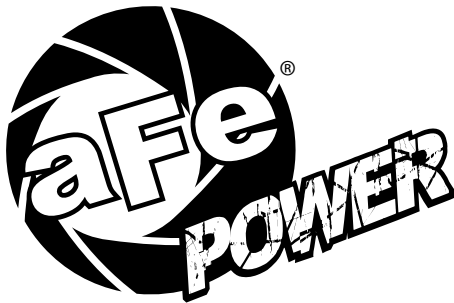
# Warranty

## General Terms:

- aFe warrants their products to be free from manufacturer's defects due to workmanship and material.
- This warranty applies only to the original purchaser of the product and is non-transferrable.
- Proof of purchase of the aFe product is required for all warranty claims.
- Warranty is valid provided aFe instructions for installation and/or cleaning were properly followed.
- Proper maintenance with regular inspections of product is required to insure warranty coverage.
- Damage due to improper installation, abuse, unauthorized repair or alteration is not warranted.
- Incidental or consequential damages or cost, including installation and removal of part, incurred due to failure of aFe product is not covered under this warranty.
- All warranty is limited to the repair and/or replacement of the aFe part. To request Return Goods Authorization ("RGA"), email [RGA@afepower.com](mailto:RGA@afepower.com) or call (951)493-7100. Upon receipt of the RGA, you must return the product to the address provided in the RGA, freight prepaid and accompanied with a dated proof of purchase and the RGA. Upon receipt of the defective product and upon verification of proof of purchase, aFe will either repair or replace the defective product within a reasonable time, not to exceed thirty days.

<b>Product Category</b>	<b>P/N Prefix</b>	<b>Warranty duration</b>
Direct OE Replacement Filters	10, 11, 30, 31, 71, 73	Life of the vehicle
Racing Filters	18	1 year
Universal	21, 24, 72	2 years
Air Intake Systems	50, 51, 54, 55, 75	2 years
Exhaust Systems	49	2 years
Intercoolers & Intercooler Tubes	46-2	2 years
Intake Manifolds	46-1	2 years
Differential Cover	46-7	Life of the vehicle
Exhaust Manifolds	46	2 years
Throttle Body Spacers	46-3	2 years
Fluid Filters	44	90 days
Pre-Filters	28	2 years
Heavy Duty OE Replacement	70	2 years
PowerSports OE Replacement	81, 87	2 years
PowerSports Intake Systems	85	2 years

No other warranty expressed or implied applies nor is any person or advanced FLOW engineering authorized to assume any other warranty. Some States do not allow the exclusion or limitation of incidental or consequential damages or do not allow limitations on how long an implied warranty lasts, so the above limitations or exclusions may not apply to you. This warranty gives you specific legal rights, and you may also have other rights which vary from State to State.



**advanced FLOW engineering, inc.**  
252 Granite Street Corona, CA 92879  
TEL: 951.493.7100 • TECH: 951.493.7134  
E-Mail: [Tech@aFepower.com](mailto:Tech@aFepower.com)