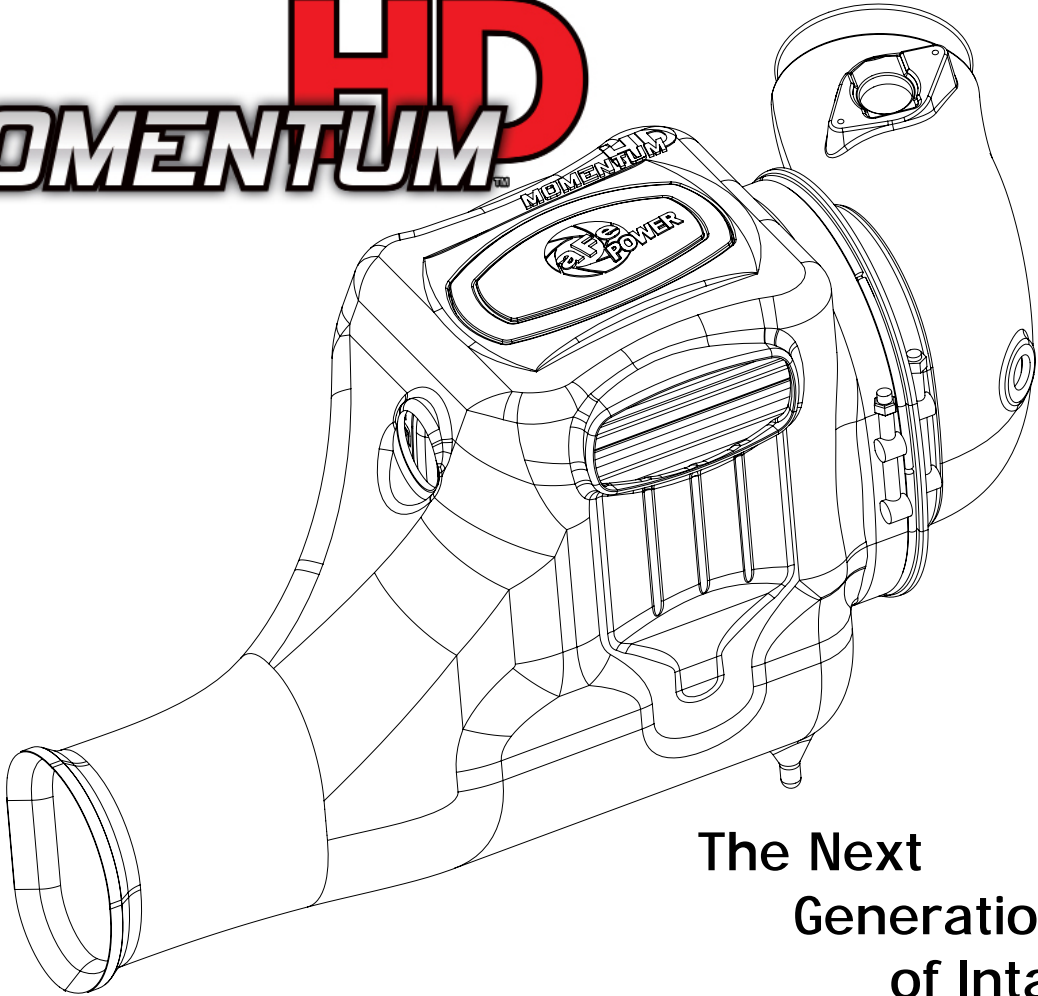


HD
MOMENTUM



**The Next
Generation
of Intakes**

advanced FLOW engineering Momentum Air Intake

Instruction Manual P/N: 50-73003 / 51-73003

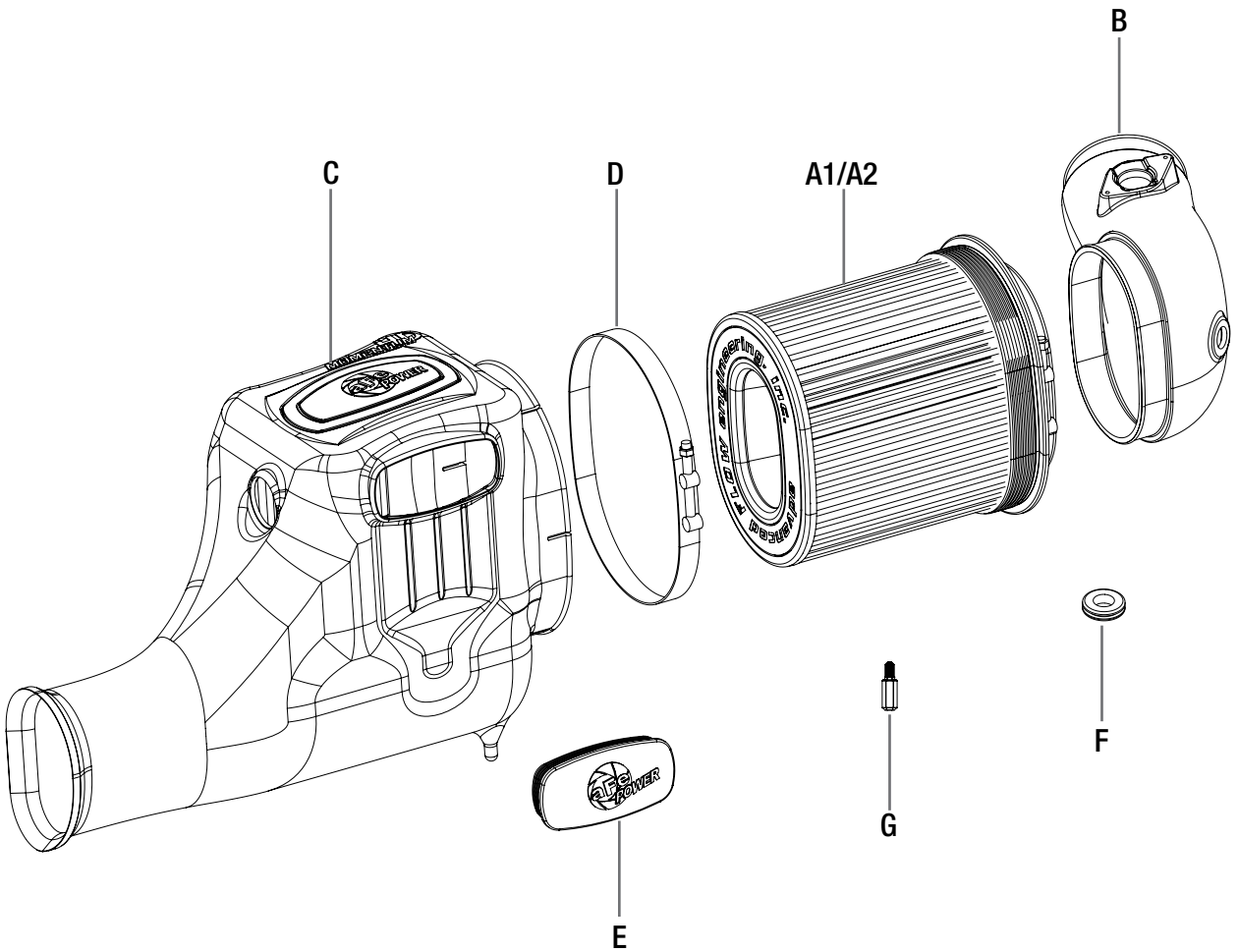
Make: **Ford** Model: **F-250/F-350/F-450/F-550** Year: **2008-2010** Engine: **V8-6.4L (td)**



- Please read the entire instruction manual before proceeding.
- Ensure all components listed are present.
- If you are missing any of the components, call technical support at 951-493-7100 or e-mail tech@afepower.com.
- Ensure you have all necessary tools before proceeding.
- Do not attempt to work on your vehicle when the engine is hot.
- Disconnect both the negative battery terminal before proceeding.
- Retain factory parts for future use.

| Label | Qty. | Description | Part Number |
|-------|------|-------------------------|-------------|
| A1 | 1 | Pro 10R Air Filter | 20-91061 |
| A2 | 1 | Pro DRY S Air Filter | 21-91061 |
| B | 1 | Tube | 05-73003B1 |
| C | 1 | Housing | 05-73003B2 |
| D | 1 | Clamp, T-bolt (8-5/16") | 03-50267 |
| E | 1 | Plug, Airbox | 05-01202 |
| F | 1 | Plug, Temp Sensor | 05-01228 |
| G | 1 | Torx Bit: T20 | 03-50066 |
| | | | |

Installation will require the following tools:
 8mm nut driver, 10mm nut driver, Torx (T20) driver and pliers.



**Figure A****Refer to Figure A for Step 1**

Step 1: Remove the (x2) hoses shown in the picture by compressing the spring clamps and pulling the hoses off.



Figure B

Refer to Figure B for Steps 2-4

Step 2: Disconnect the MAF sensor plug.

Step 3: Remove the filter minder from the factory intake tube.

Step 4: Loosen clamp from intake tube.



Figure C

Refer to Figure C for Step 5

Step 5: Pull straight up to remove the OE intake.



Figure D

Refer to Figure D for Step 6

Step 6: Remove the OE grommet and MAF sensor from the factory intake.

**Figure E****Refer to Figure E for Step 7**

Step 7: Install the OE grommet into the the new aFe intake tube and insert the MAF sensor as shown. Then secure it using the OE factory screws.



Figure F

Refer to Figure F for Steps 8-9

Step 8: Install the air filter into the new housing.

Step 9: Place the large clamp on the housing as shown, but leave both clamps loose.



Figure G

Refer to Figure G for Step 10

Step 10: First install the aFe intake tube and push it towards the firewall.



Figure H

Refer to Figure H for Steps 11-12

Step 11: Drop in the aFe housing and line up the pegs with the mounting holes.

Step 12: Make sure the filter clamp is loose and then push the aFe intake tube into the filter.



Figure I

Refer to Figure I for Steps 13-14

Step 13: Install the filter minder and connect the MAF sensor.

Step 14: Tighten all clamps.



Figure J

Refer to Figure J for Steps 15-18

Step 15: Replace the coolant hose and clamp in place.

Step 16: Install the factory breather hose by sliding into the hole on the front of the housing.

Step 17: (Optional) Install airbox plug on side of housing for sealed airbox.

Step 18: Make sure all clamps and connections are secured. Your installation is now completed. Thank You for choosing aFe POWER!

NOTE 1: Check all bolts, clamps, and connectors after 100-200 miles.

NOTE 2: Place enclosed CARB EO sticker on or near the device on a smooth/clean surface. EO identification label is required to pass the smog test inspection.



Pro 10R Air Filter



P/N: 20-91061

Pro DRY S Air Filter



P/N: 21-91061

Pro-GUARD 7 Air Filter



P/N: 72-91061

Pre-Filter



P/N: 28-10283

Blue Squeeze Restore Kit



P/N: 90-50501

Pro DRY S Restore Kit



P/N: 90-59999

Gold Squeeze Restore Kit



P/N: 90-50500

DFS780 PRO Fuel System



P/N: 42-23011

Exhaust Manifold



P/N: 46-40094

TB-Back Exhaust System



P/N: 49-43077-B (Blk. Tip)
49-43077-P (Pol. Tip)

4" Turbo Downpipe



P/N: 49-43012

Intercooler w/ Tubes



P/N: 46-20102-1

To purchase any of the items above, view airflow charts, dyno graphs, photos, and video; please go to aFepower.com.

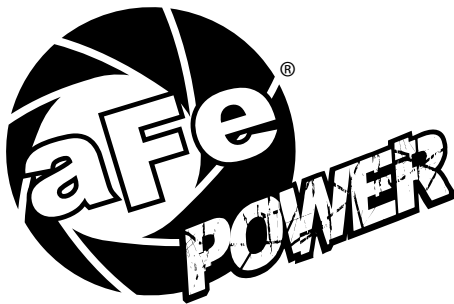
Warranty

General Terms:

- aFe warrants their products to be free from manufacturer's defects due to workmanship and material.
- This warranty applies only to the original purchaser of the product and is non-transferrable.
- Proof of purchase of the aFe product is required for all warranty claims.
- Warranty is valid provided aFe instructions for installation and/or cleaning were properly followed.
- Proper maintenance with regular inspections of product is required to insure warranty coverage.
- Damage due to improper installation, abuse, unauthorized repair or alteration is not warranted.
- Incidental or consequential damages or cost, including installation and removal of part, incurred due to failure of aFe product is not covered under this warranty.
- All warranty is limited to the repair and/or replacement of the aFe part. To request Return Goods Authorization ("RGA"), email RGA@afepower.com or call (951)493-7100. Upon receipt of the RGA, you must return the product to the address provided in the RGA, freight prepaid and accompanied with a dated proof of purchase and the RGA. Upon receipt of the defective product and upon verification of proof of purchase, aFe will either repair or replace the defective product within a reasonable time, not to exceed thirty days.

| Product Category | P/N Prefix | Warranty duration |
|----------------------------------|------------------------|--------------------------|
| Direct OE Replacement Filters | 10, 11, 30, 31, 71, 73 | Life of the vehicle |
| Racing Filters | 18 | 1 year |
| Universal | 21, 24, 72 | 2 years |
| Air Intake Systems | 50, 51, 54, 55, 75 | 2 years |
| Exhaust Systems | 49 | 2 years |
| Intercoolers & Intercooler Tubes | 46-2 | 2 years |
| Intake Manifolds | 46-1 | 2 years |
| Differential Cover | 46-7 | Life of the vehicle |
| Exhaust Manifolds | 46 | 2 years |
| Throttle Body Spacers | 46-3 | 2 years |
| Fluid Filters | 44 | 90 days |
| Pre-Filters | 28 | 2 years |
| Heavy Duty OE Replacement | 70 | 2 years |
| PowerSports OE Replacement | 81, 87 | 2 years |
| PowerSports Intake Systems | 85 | 2 years |

No other warranty expressed or implied applies nor is any person or advanced FLOW engineering authorized to assume any other warranty. Some States do not allow the exclusion or limitation of incidental or consequential damages or do not allow limitations on how long an implied warranty lasts, so the above limitations or exclusions may not apply to you. This warranty gives you specific legal rights, and you may also have other rights which vary from State to State.



advanced FLOW engineering, inc.
252 Granite Street Corona, CA 92879
TEL: 951.493.7100 • TECH: 951.493.7134
E-Mail: Tech@aFepower.com