



FROZEN BEVERAGE MACHINE

MODEL: CFB1, CFB2, CFB3



CFB1

Single Frozen Beverage Machine
With One 3.0 Gallon Bowl

CFB2

Twin Frozen Beverage Machine
With Two 3.0 Gallon Bowls



CFB3

Triple Frozen Beverage Machine
With Three 3.0 Gallon Bowls

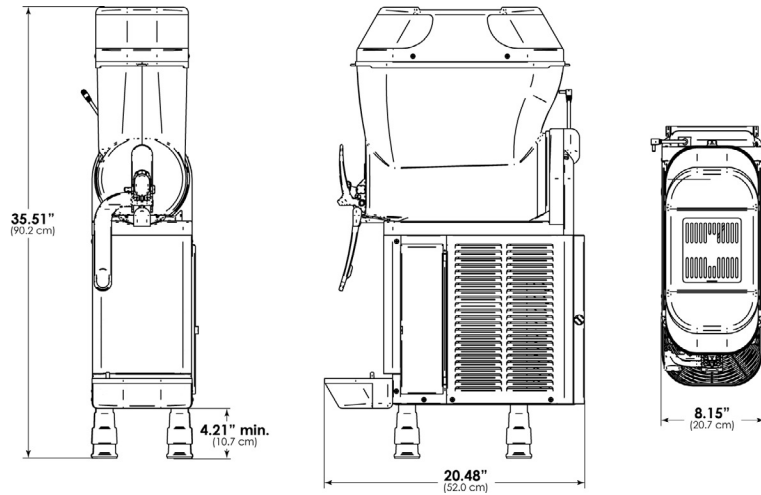
Cool, Refreshing Frozen Beverages Anytime.

Everyone loves slush drinks with big, bold flavors and crunchy ice. Now it is easier than ever to serve your customers beverages that pack the powerful blast of taste they crave. The Curtis Frozen Beverage Machine is easy to use and simple to keep clean. Specifically designed to deliver consistent tasting beverages draw after draw, the Curtis Frozen Beverage Machine is a great way to create a beverage destination and add profits. Ask us to help you calculate your yearly profits today.

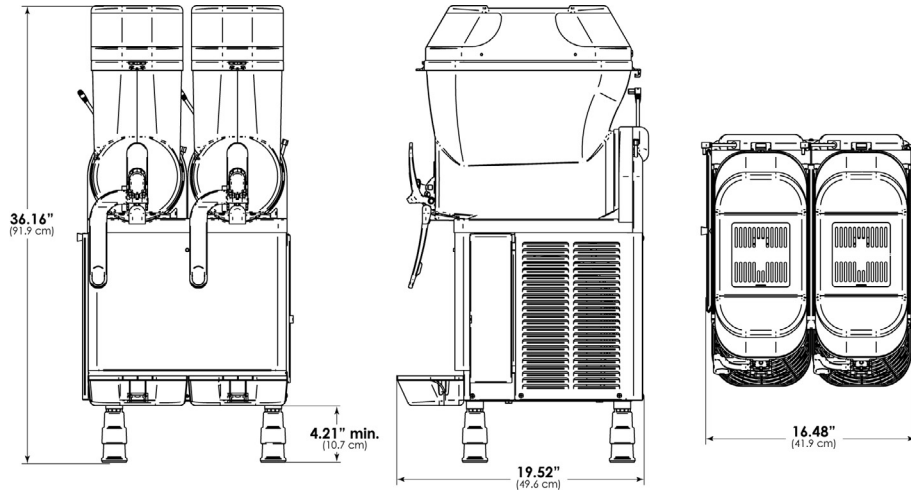
FEATURES AT A GLANCE

- **Patented Ergonomically Designed Push & Pull Handles** – Pull the top handle or push the bottom handle to easily dispense beverage
- **Corrosion-Resistant Stainless Steel Panels** – Easy cleaning and durable
- **Large Capacity** - 3.0 Gallon bowls merchandise popular frozen beverages such as frozen cappuccino and frozen fruit flavors
- **Lighted Cover** – With safety lock system
- **Standby Mode** – Keeps product cool/refrigerated for overnight storage
- **Built-in Timer** – Set timer to freeze product at a specific time
- **Drip Tray Full Indicator** – Prevents spills by warning when drip tray is full and needs to be emptied
- **Easy To Clean** – No tools required
- **Annual Profit** – Ask us to help you calculate your yearly profit

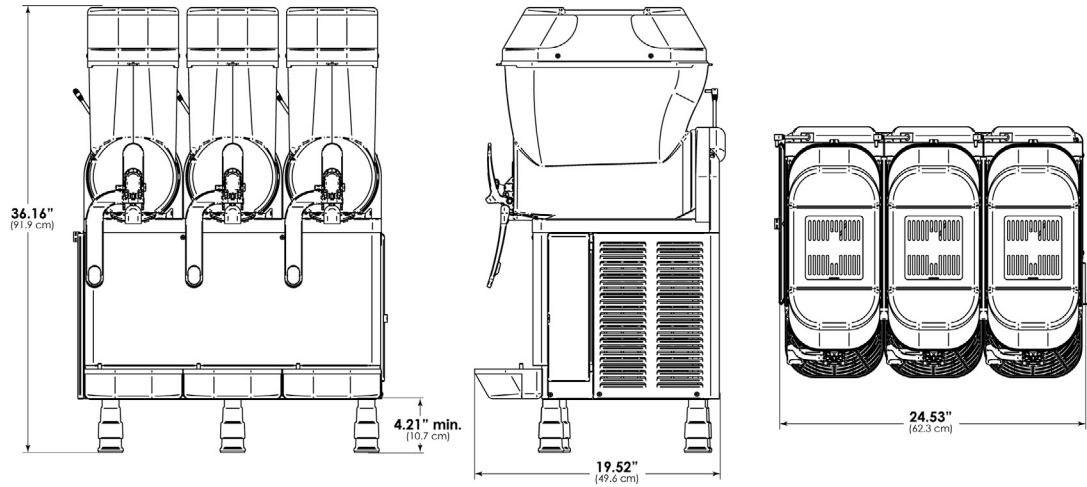
CFB1
Single Frozen
Beverage Machine



CFB2
Twin Frozen
Beverage Machine



CFB3
Triple Frozen
Beverage Machine



Electrical Supply Requirements

MODEL #	PHASE	VOLTS	AMPS	WIRE	WATTS	HERTZ
CFB1	1 PH	115V	8.1A	2W+G	1000W	50/60 Hz
CFB2	1 PH	115V	12.4A	2W+G	1500W	50/60 Hz
CFB3	1 PH	115V	14.8A	2W+G	1800W	50/60 Hz

Dimensions

HEIGHT	WIDTH	DEPTH	SHIP WEIGHT	SHIP CUBE
35.51"	8.15"	20.48"	68.3 lbs.	5.31 cu.ft.
36.16"	16.48"	19.52"	132.0 lbs.	10.69 cu.ft.
36.16"	24.53"	19.52"	165.0 lbs.	14.20 cu.ft.

SPECIFICATIONS SUBJECT TO CHANGE WITHOUT NOTICE



WILBUR CURTIS CO., INC.
6913 Acco Street, Montebello, CA 90640-5403
Telephone: 800-421-6150 • 323-837-2300
Fax: 323-837-2406
www.wilburcurtis.com