



# Milbank Ringless Sockets

## 3 Phase 4 Wire Auto-Bypass

Order# 1B8291

The UC7237-XL was developed to meet the high demands of today's energy metering.

### Universal

The UC7237-XL base is compatible with multiple manufactures.

### Application

- Single meter position 3 Phase 4 Wire Transformer Rated.
- Designed to receive watt-hour meters that meet ANSI C12.10
  - Overhead or underground feed
  - Surface mount

### Construction

The G90 Galvanized steel along with the gray powder coating ensures the enclosures are built to meet or exceed NEMA 3R requirements. Ringless.

Ask your sales person for other material and color options.

### Safety

Socket has automatic bypass feature that shorts-out current transformers when meter is removed.

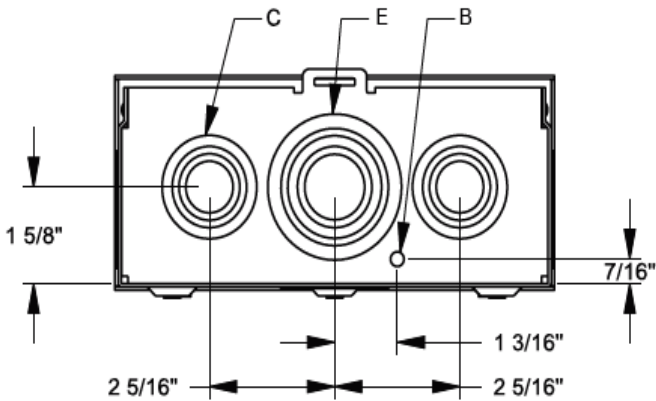
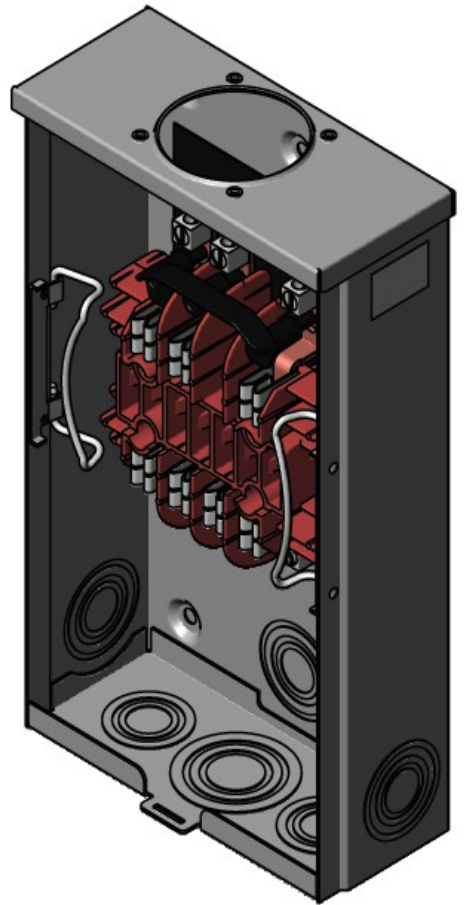
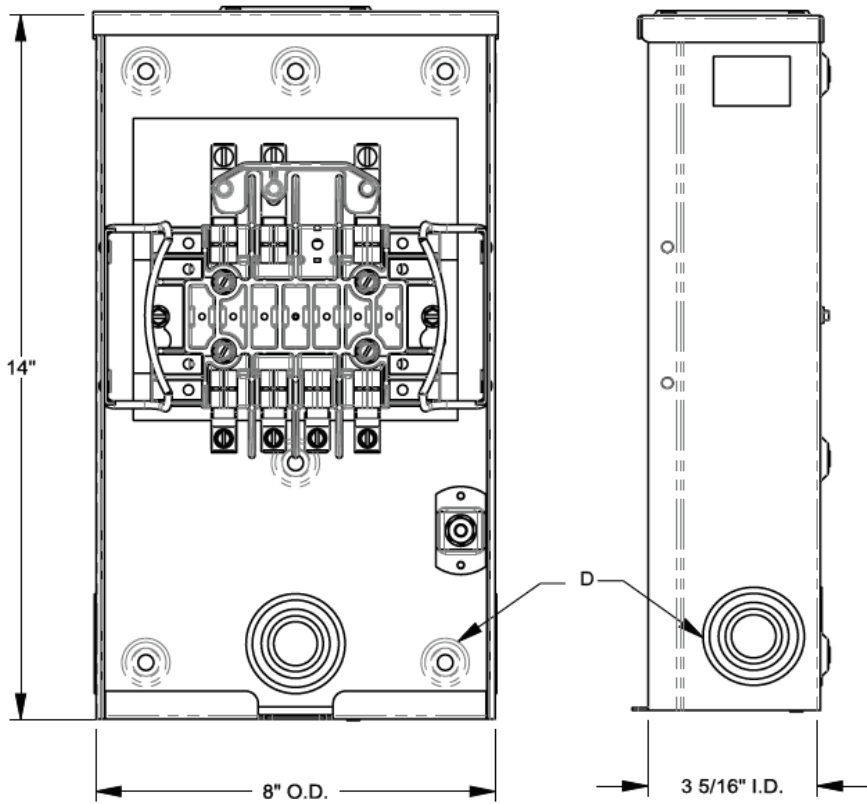


13 Jaw Socket 1B8291

*Utility requirements may vary. Always consult the serving utility for their requirements prior to ordering or installing this equipment. This product must always be installed by a licensed electrician. Installation of this equipment may require local electrical inspector approval.*

Byram Laboratories, Inc. 1 Columbia Road Branchburg, NJ 08876 (800) 766-1212  
www.byramlabs.com © 2021 by Byram Laboratories, Inc All rights reserved.

FEATURE TABLE		
ITEM	QTY	DESCRIPTION
A	6	U/L MNTG.EMBOSS
B	1	¼ SOLID K.O.
C	2	¼, ½, ¾, 1 CONC. K.O.
D	3	¾, 1, 1¼, 1½ CONC. K.O.
E	1	¾, 1, 1¼, 1½, 2 CONC. K.O.



# Form 9S wiring

Color Coded Wiring Harness Available Separately

