

METAL CASE SWITCHBOARD METERS

Power Factor Meter

5A, Single-Phase/2 Wire, 60Hz



Catalog #: **TMCS 103412FCAD**

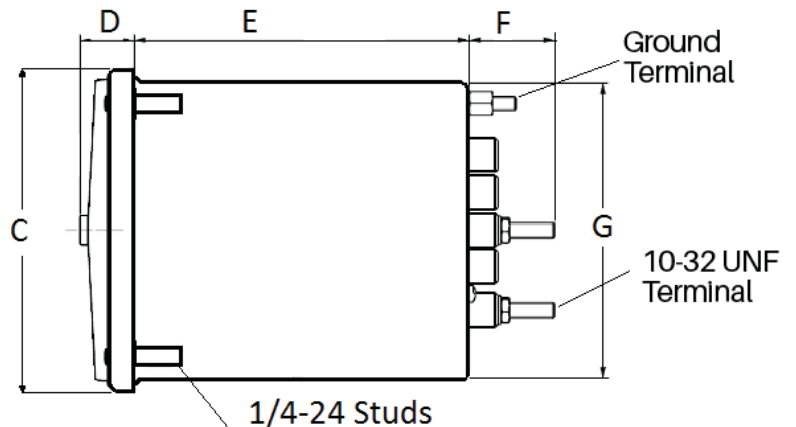
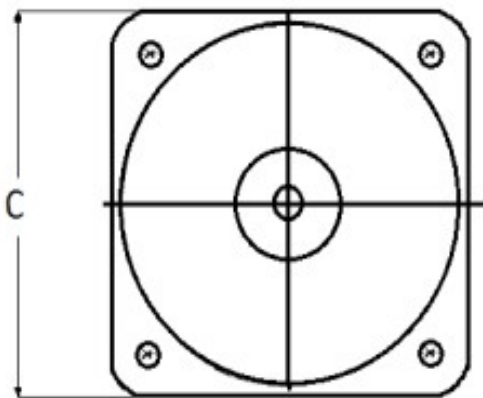
Ordering #: 1D2093

Features:

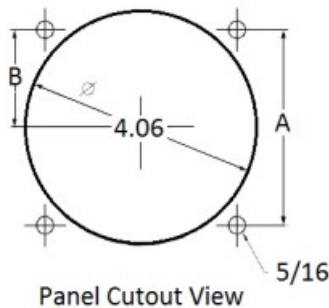
- Designed For Commercial and industrial use
- Steel case with integrated mounting studs and poly-carbonate cover
- IP54 Sealed case maintains accuracy and prolongs meter life
- Easy to read at any distance or angle
- Clean, clear, easy-to-read dials
- Metal housing shields mechanisms against magnetic fields

Rating (L-L Volts): 120 V Scale: .5-1-.5

Mounting & Dimensions

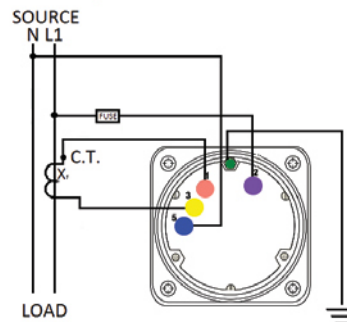


Wiring Diagram with current transformer



	INCHES
A	3.37"
B	1.69"
C	4.30"
D	0.75"
E	3.61"
F	1.12"
G	3.95"

Phase Sequence 1-2-3



(800) 766-1212



shop.byramlabs.com

Byram Laboratories, Inc. 1 Columbia Rd. Branchburg, NJ 08876

© 2021 by Byram Laboratories, Inc. All rights reserved.